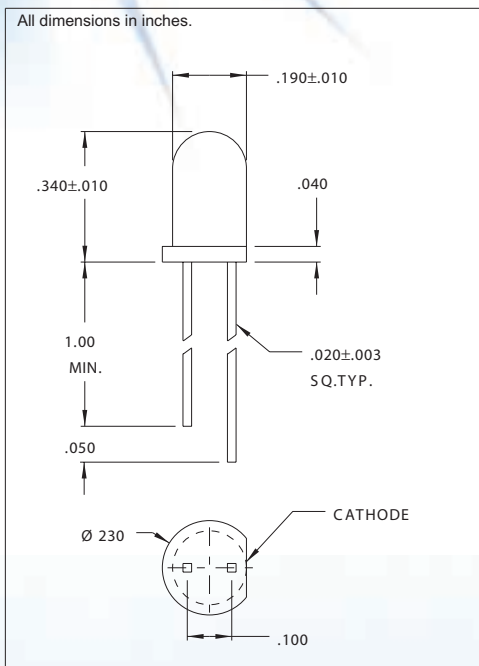


T-1 3/4 Diffused LED Lamps

DESCRIPTION AND FEATURES



These LED lamps offer a variety of diffused lens effects and color availability. These lamps are available with both wide view angles and narrow view angles for high bright direct viewing. The High Efficiency Red and Yellow lamps are produced with GaAsP/GaP and the High Efficiency Green lamp is produced with GaP/GaP. This compact, rugged and lightweight LED lamp requires low power and allows for versatile PC board or panel mounting.

ELECTRO-OPTICAL CHARACTERISTICS AND RATINGS

PART NUMBER	CMD6153	CMD6154A	CMD6353	CMD6354A	CMD64530	CMD6431	CMD6454A	CMD6753	CMD6754A
Output Color	H.E. Red	H.E. Red	Yellow	Yellow	H.E.Green	H.E.Green	H.E.Green	H.E. Red	H.E. Red
Diffusion	Diffused	Diffused	Diffused	Diffused	Diffused	Diffused	Diffused	Diffused	Diffused
Package Color	Amber	Amber	Yellow	Yellow	Green	Green	Green	Red	Red
Test Current (mA)	20	20	20	20	20	20	20	20	20
Forward Voltage Typ. (V)	2.0	2.0	2.1	2.1	2.2	2.2	2.2	2.0	2.0
Forward Voltage Max. (V)	3.0	3.0	3.0	3.0	3.0	3.0	3.0	3.0	3.0
Luminous Intensity Min. (mcd)	3.0	10.0	2.5	10.0	3.0	7.0	10.0	3.0	15.0
Luminous Intensity Typ. (mcd)	15.0	25.0	15.0	25.0	20.0	20.0	30.0	10.0	25.0
Luminous Intensity Max. (mcd)	-	-	-	-	-	-	-	-	-
Peak Wavelength (nm)	635	635	585	585	562	562	562	635	635
Viewing Angle 2θ 1/2 (degrees)	65	24	65	24	75	75	24	65	24
Power Dissipation (mW)	120	120	120	120	120	120	120	120	120
Operating Temperature (°C)	-55 to +100	-55 to +100	-55 to +100	-55 to +100	-55 to +100	-55 to +100	-55 to +100	-55 to +100	-55 to +100
Storage Temperature (°C)	-55 to +100	-55 to +100	-55 to +100	-55 to +100	-55 to +100	-55 to +100	-55 to +100	-55 to +100	-55 to +100
Peak Forward Current Max. (1µs @ 0.3% duty cycle) (mA)	1000	1000	1000	1000	90	90	90	1000	1000
Reverse Voltage (IR=100µA) (V)	5	5	5	5	5	5	5	5	5
Lead Solder Time @ 260°C	5	5	5	5	5	5	5	5	5