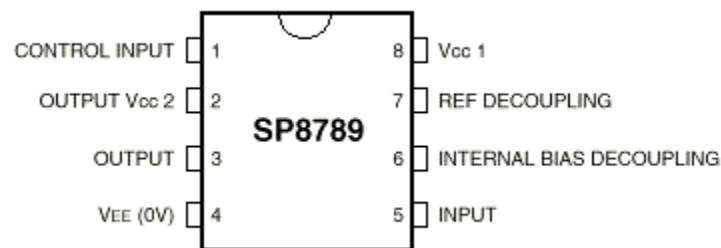


SP8789

225MHz Frequency Divider

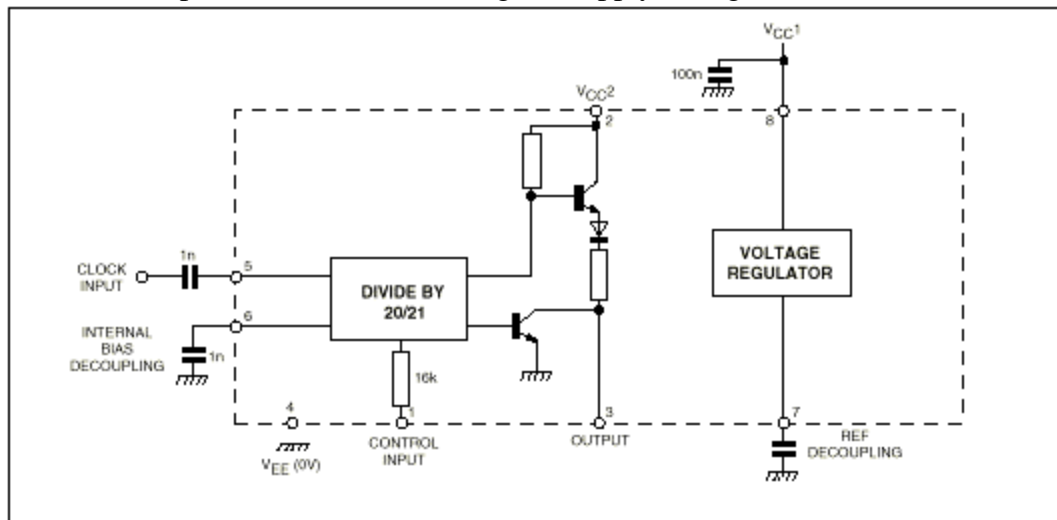
Divided by 20/21

TWO MODULUS DIVIDER



Description

The SP8789 is a low power programmable $\div 20/21$ counter. It divides by 20, when the control input is in the high state and by 21 when in the low state. An internal voltage regulator allows operation from a wide range of supply voltages.



FEATURES

- Very Low Power
- Control Input and Output CMOS/TTL Compatible
- AC Coupled Input
- Operation up to 9.5V using Internal Regulator