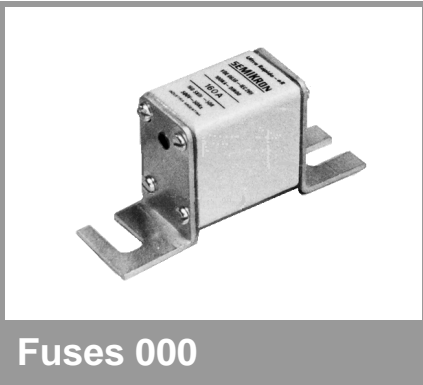


Fuses 000



Types ¹⁾ visual indication	Types for micro- switch ²⁾	Size	Nom. current I_N A	Nom. voltage U_N V	i^2t at U_N A ² s	Losses at I_N W	
30119541	30140923	000	32	660	270	10	
30119551	30140924		40		460	12	
30119561	30140925		50		730	14	
30138821	30140926		63		1.500	16	
30119571	30140927		80		2.500	21	
30119581	30140928		100		4.200	23	
30119591	30140929		125		8.900	26	
30119601	30140931		160		16.000	31	
30140914	30140932		200		31.500	36	
30140915	30140933		250		52.000	45	
30140916	30140934		315		82.000	58	
30140948	30140935		350		500	110.000	58
30140917	30140936		400			160.000	66

¹⁾ total height H = 38,5 mm

²⁾ μ -switch 30137972, total height G = 55 mm

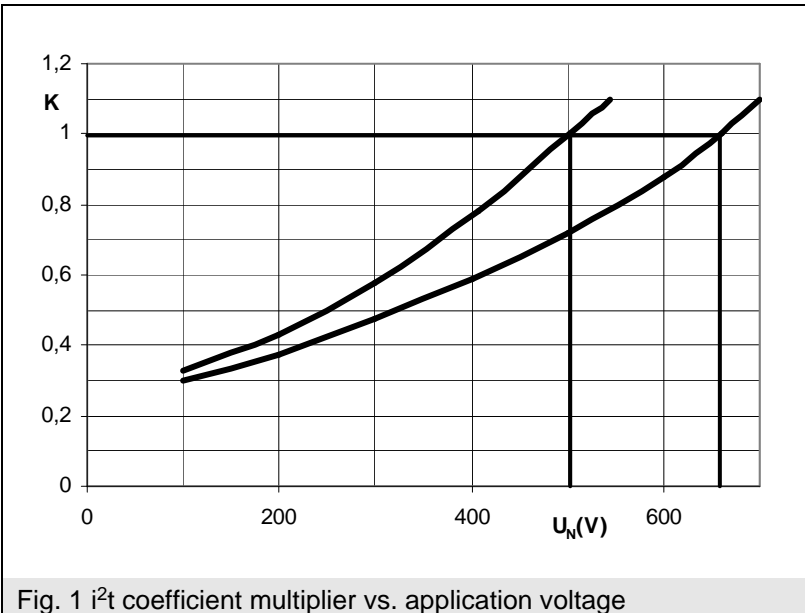
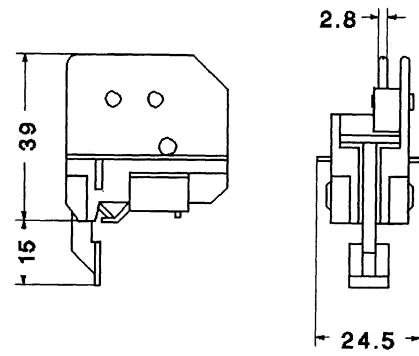
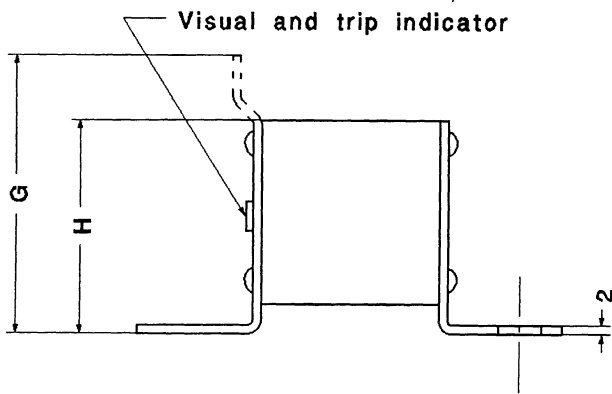


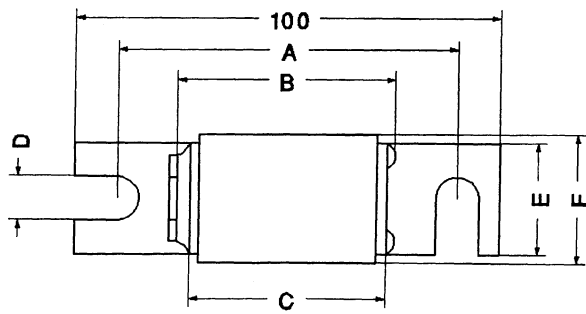
Fig. 1 i^2t coefficient multiplier vs. application voltage

Fuses 000

Dimensions in mm



Microswitch for size 000
Ref. 30137972



Size	A	B	C	D	E	F	G	H
000	77.5	.	48	8.5	20	.	55.5	38.5

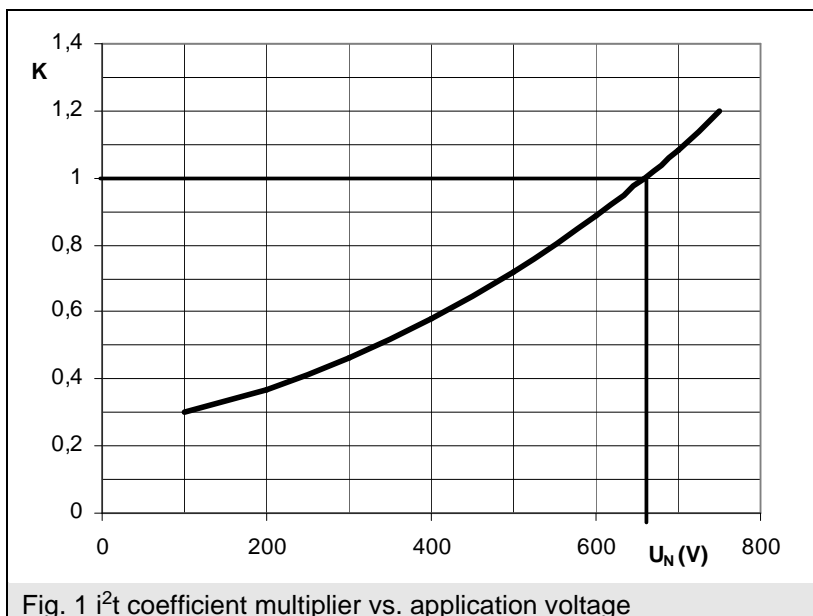
Sizes 000

Fuses 30 - 33



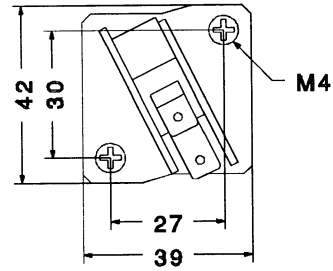
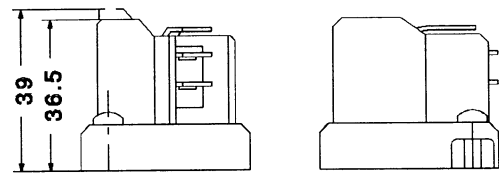
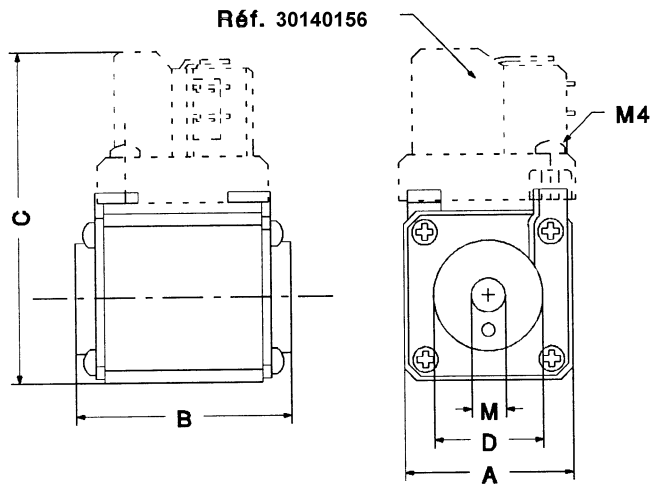
Types	Size	Nom. current	Nom. voltage	i^2t at 660 V	Losses
		I_N	U_N	A^2s	at I_N
		A	V		W
30146087	30	80	660	1.750	19
30146088		100		2.500	26
30146083		125		4.500	30
30146084		160		8.500	37
30146082		200		15.500	42
30146089		250		30.000	48
30146091		315		62.000	53
30146092		350		80.000	57
30146093		400		120.000	60
30146111		450		150.000	80
30146112		500		240.000	80
30146094		31		400	660
30146095	450		140.000	70	
30146096	500		195.000	70	
30146113	630		390.000	75	
30146114	700		490.000	85	
30146097	32	500	660	145.000	85
30146099		630		280.000	95
30146107		700		400.000	100
30146101		800		600.000	110
30146116*		900		900.000	110
30146117*	1000	1.250.000	115		
30146102	33	900	660	700.000	120
30146103		1000		900.000	135
30146104		1100		1.260.000	135
30146105*		1250		1.850.000	150
30146118*		1400		2.500.000	160
30146199*		1600		3.300.000	210

* see outline next page (dimension „D“)



Fuses 30 - 33

Dimensions in mm

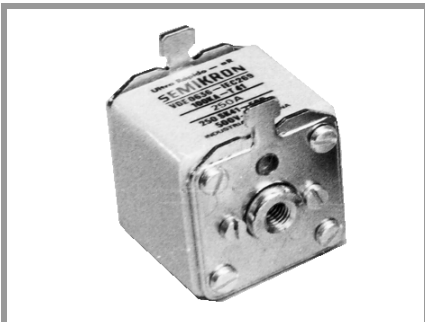


Size	A	B ^{±1}	C	D	M
30	40	50.6	82	26	M8
31	51	50.6	91	30	M8
32	60	50.6	100	38 (42*)	M10
33	74.5	50.6	114	46 (52*)	M12

Microswitch for sizes 30 to 33
Réf. 30140156

Sizes 30 to 33

Fuses 70 - 73



Fuses 70 - 73

Types	Size	Nom. current	Nom. voltage	i^2t at 1000 V	Losses
		I_N A	U_N V	A ² s	at I_N W
30146222	70	100	1250	4.800	30
30146224		125	1250	7.500	38
30146226		160	1250	15.000	45
30146001		200	1250	27.000	54
30146149		250	1250	55.000	58
30146154		280	1200	82.000	61
30146225		315	1200	115.000	66
FE400458		350	1100	160.000	68
30146155	71	250	1250	51.000	61
30146156		280	1250	68.000	68
30146157		315	1250	92.000	73
30146158		350	1250	127.000	76
30146159		400	1250	220.000	76
30146160		450	1250	270.000	87
30146131	72	400	1250	190.000	80
30140938		450	1250	255.000	87
30140939		500	1250	330.000	94
30146147		550	1250	390.000	110
30146162		630	1250	610.000	113
30146136*		800	1100	1.240.000	125
30146221	73	630	1250	485.000	125
30146163		700	1250	640.000	135
30146165*		900	1200	1.090.000	150
30146134*		1000	1000	1.440.000	152
30146188*		1100	850	2 150 000 ¹⁾	168
30500433*		1400	850	3 700 000 ¹⁾	210

¹⁾ at 850 V

* see outline next page (dimension „D“)

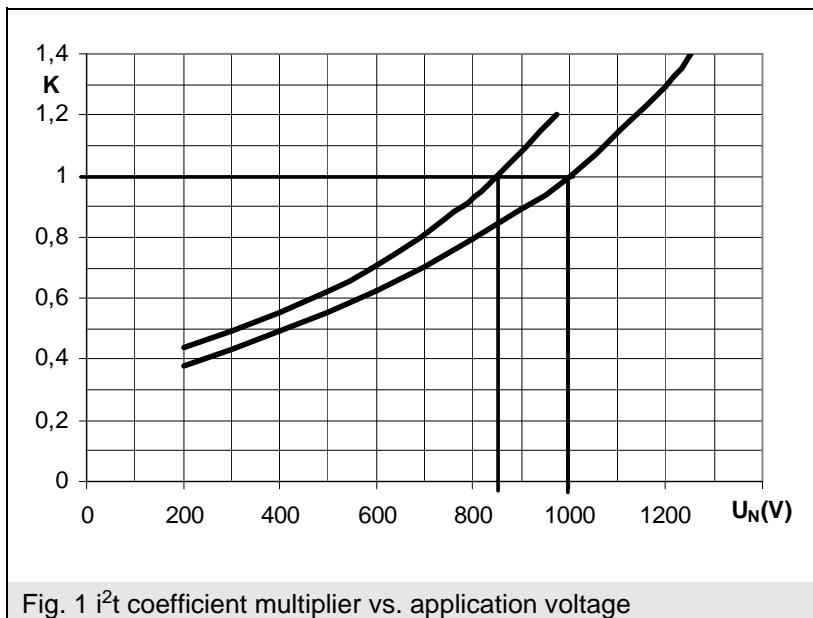
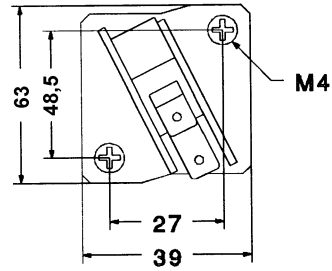
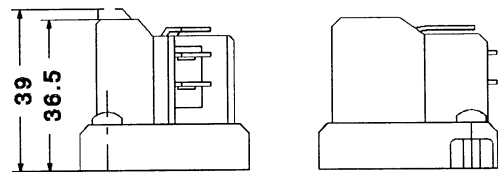
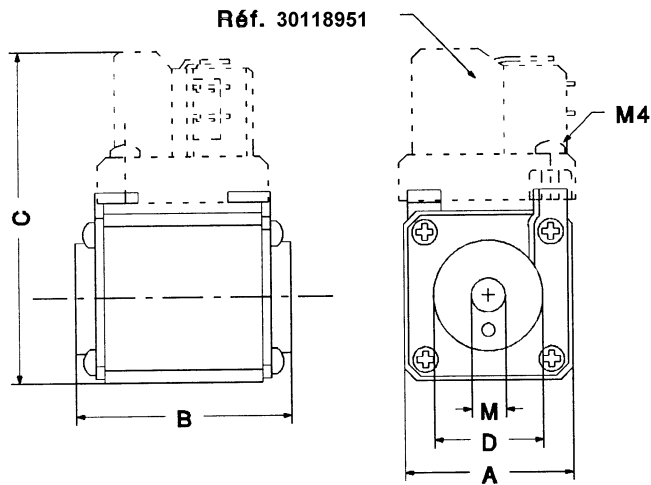


Fig. 1 i^2t coefficient multiplier vs. application voltage

Fuses 70 - 73

Dimensions in mm



Size	A	B ^{±1}	C	D	M
70	40	74	82	26	M8
71	51	74	91	30	M8
72	60	74	100	38 (42*)	M10
73	74.5	74	114	46 (52*)	M12

Microswitch for sizes 70 to 73
Réf. 30118951

Sizes 70 to 73