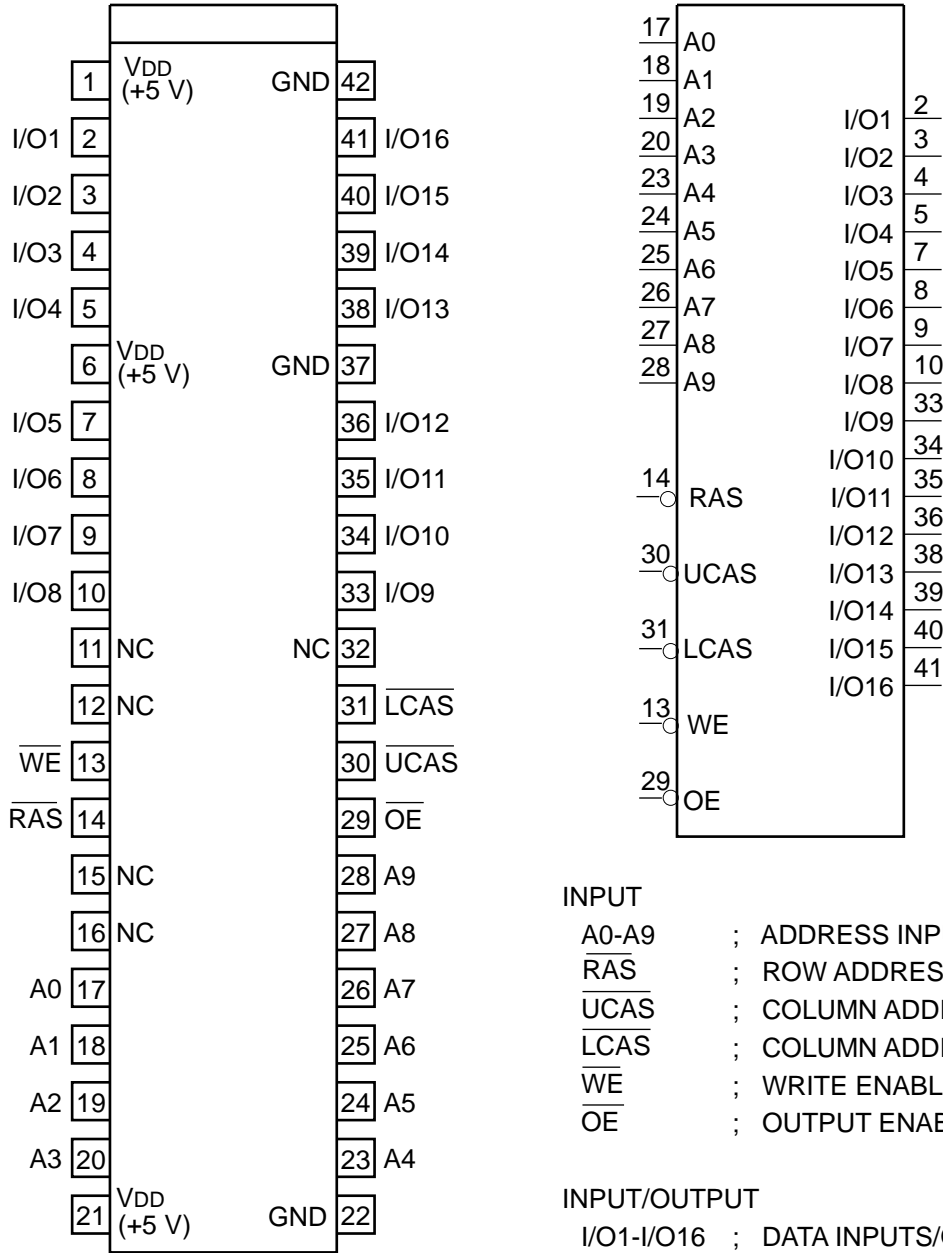

C-MOS 16M(1,048,576x16)-BIT DRAM

-TOP VIEW-

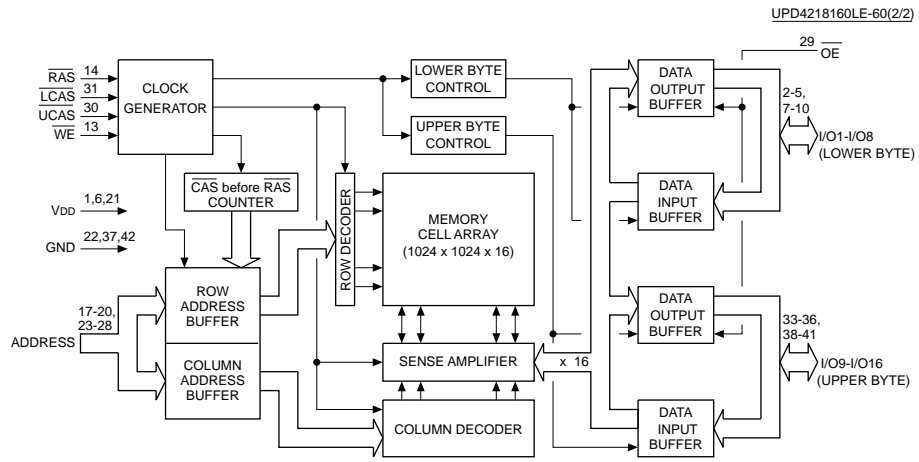


INPUT

- A0-A9 ; ADDRESS INPUTS
- RAS ; ROW ADDRESS STROBE
- UCAS ; COLUMN ADDRESS STROBE(UPPER)
- LCAS ; COLUMN ADDRESS STROBE(LOWER)
- WE ; WRITE ENABLE
- OE ; OUTPUT ENABLE

INPUT/OUTPUT

- I/O1-I/O16 ; DATA INPUTS/OUTPUTS



www.DataSheet4U.com