

FEATURES

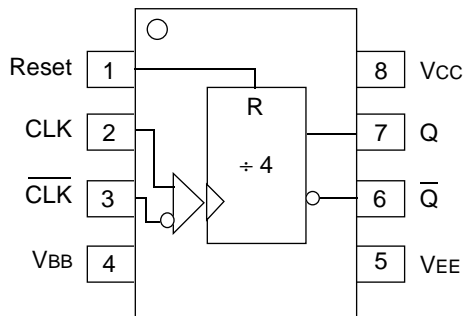
- 3.3V and 5V power supply options
- 650ps propagation delay
- 4.0GHz toggle frequency
- High bandwidth output transistions
- Internal 75KΩ input pull-down resistors
- Available in 8-pin SOIC package

DESCRIPTION

The SY10/100EL33/L are integrated ÷4 dividers. The differential clock inputs and the VBB allow a differential, single-ended or AC-coupled interface to the device. If used, the VBB output should be bypassed to ground with a 0.01μF capacitor. Also note that the VBB is designed to be used as an input bias on the EL33/L only; the VBB output has limited current sink and source capability.

The reset pin is asynchronous and is asserted on the rising edge. Upon power-up, the internal flip-flops will attain a random state; the reset input allows for the synchronization of multiple EL33/Ls in a system.

PIN CONFIGURATION/BLOCK DIAGRAM



**SOIC
TOP VIEW**

PIN NAMES

Pin	Function
CLK	Clock Inputs
Reset	Asynchronous Reset
VBB	Reference Voltage Output
Q	Data Outputs

DC ELECTRICAL CHARACTERISTICS⁽¹⁾

VEE (Min) to VEE (Max); VCC = GND

Symbol	Parameter	TA = -40°C			TA = 0°C			TA = +25°C			TA = +85°C			Unit
		Min.	Typ.	Max.	Min.	Typ.	Max.	Min.	Typ.	Max.	Min.	Typ.	Max.	
IEE	Power Supply Current													mA
	10EL	—	27	33	—	27	33	—	27	33	—	27	33	
	100EL	—	27	33	—	27	33	—	27	33	—	31	37	
VBB	Output Reference Voltage													V
	10EL	-1.43	—	-1.30	-1.38	—	-1.27	-1.35	—	-1.25	-1.31	—	-1.19	
	100EL	-1.38	—	-1.26	-1.38	—	-1.26	-1.38	—	-1.26	-1.38	—	-1.26	
I _{IH}	Input HIGH Current	—	—	150	—	—	150	—	—	150	—	—	150	μA

NOTE:

1. Parametric values specified at:
- | | | |
|---------------------------|---------------------|------------------|
| 5 volt Power Supply Range | 100EL33 Series: | -4.2V to -5.5V. |
| | 10EL33 Series | -4.75V to -5.5V. |
| 3 volt Power Supply Range | 10/100EL33L Series: | -3.0V to -3.8V. |

AC ELECTRICAL CHARACTERISTICS⁽¹⁾

VEE (Min) to VEE (Max); VCC = GND

Symbol	Parameter	TA = -40°C			TA = 0°C			TA = +25°C			TA = +85°C			Unit
		Min.	Typ.	Max.	Min.	Typ.	Max.	Min.	Typ.	Max.	Min.	Typ.	Max.	
f _{MAX}	Maximum Toggle Frequency	3.4	4.2	—	3.8	4.2	—	3.8	4.2	—	3.8	4.2	—	GHz
t _{PLH}	Prop. Delay to Output D Reset to Q	490	630	770	540	630	720	550	640	730	590	670	760	ps
t _{PHL}			310	460		610	360		460	560		360	460	
V _{PP}	Minimum Input Swing ⁽²⁾	150	—	—	150	—	—	150	—	—	150	—	—	mV
t _r t _f	Output Rise/Fall Times Q (20% to 80%)	100	225	350	100	225	350	100	225	350	100	225	350	ps

NOTES:

1. Parametric values specified at:
- | | | |
|---------------------------|---------------------|------------------|
| 5 volt Power Supply Range | 100EL33 Series: | -4.2V to -5.5V. |
| | 10EL33 Series | -4.75V to -5.5V. |
| 3 volt Power Supply Range | 10/100EL33L Series: | -3.0V to -3.8V. |
2. Minimum input swing for which AC parameters are guaranteed.

PRODUCT ORDERING CODE

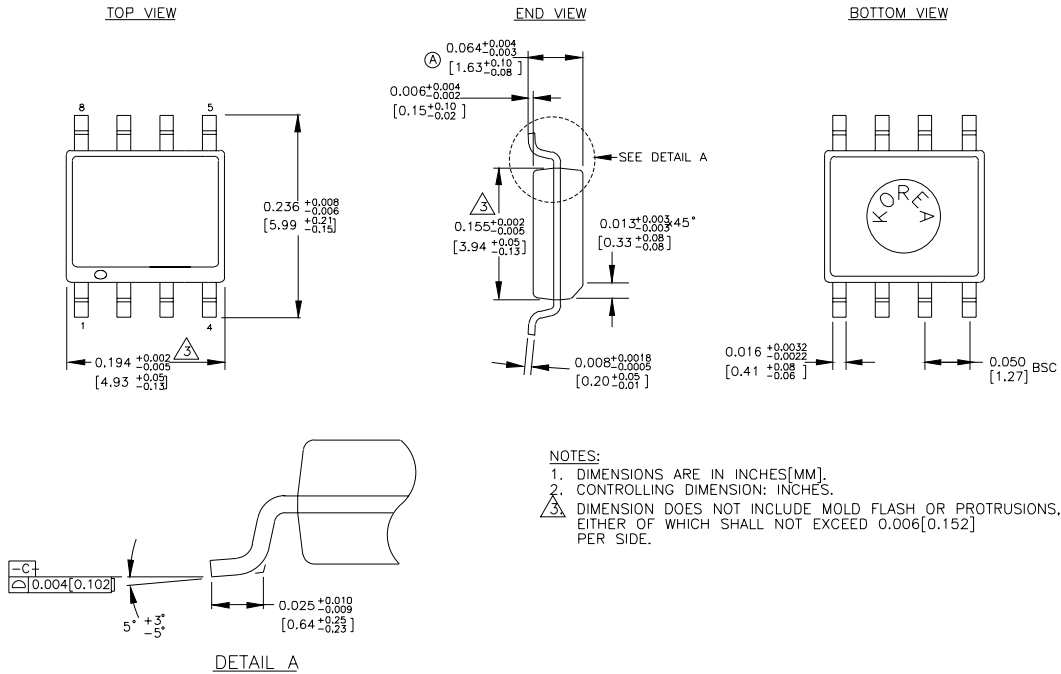
3.3V

Ordering Code	Package Type	Operating Range	VEE Range (V)
SY10EL33LZC	Z8-1	Commercial	-3.0 to -3.8
SY10EL33LZCTR	Z8-1	Commercial	-3.0 to -3.8
SY100EL33LZC	Z8-1	Commercial	-3.0 to -3.8
SY100EL33LZCTR	Z8-1	Commercial	-3.0 to -3.8

5V

Ordering Code	Package Type	Operating Range	VEE Range (V)
SY10EL33ZC	Z8-1	Commercial	-4.75 to -5.5
SY10EL33ZCTR	Z8-1	Commercial	-4.75 to -5.5
SY100EL33ZC	Z8-1	Commercial	-4.2 to -5.5
SY100EL33ZCTR	Z8-1	Commercial	-4.2 to -5.5

8 LEAD SOIC .150" WIDE (Z8-1)



Rev. 03

MICREL-SYNERGY 3250 SCOTT BOULEVARD SANTA CLARA CA 95054 USA

TEL + 1 (408) 980-9191 FAX + 1 (408) 914-7878 WEB <http://www.micrel.com>

This information is believed to be accurate and reliable, however no responsibility is assumed by Micrel for its use nor for any infringement of patents or other rights of third parties resulting from its use. No license is granted by implication or otherwise under any patent or patent right of Micrel Inc.

© 2000 Micrel Incorporated
