

**SANYO****STK73410II**

Thick Film Hybrid IC

Voltage Regulator for TV/VTR Use

**TENTATIVE**

Case Outline : 9 pins (See attached case outline drawing.)

Function : Off-line switching regulator

Use : Voltage regulator for color TV / VTR use

Feature : Self-oscillation type

Maximum Ratings at  $T_a = 25^\circ\text{C}$ 

			unit
AC Input Voltage	$V_{AC}$	0 to 280	Vrms
Maximum Output Power	$W_o \text{ max}$	100	W
Operating Temperature	$T_{opg}$	- 10 to + 65	$^\circ\text{C}$
Storage Temperature	$T_{stg}$	- 30 to + 105	$^\circ\text{C}$
Operating Case Temperature	$T_c \text{ max}$	105	$^\circ\text{C}$
Thermal Resistance	$\theta_{j-c}$	1.3	$^\circ\text{C/W}$
Junction Temperature	$T_j \text{ max}$	150	$^\circ\text{C}$

Electrical Characteristics at  $T_a = 25^\circ\text{C}$ , Values shown below are measured using specified Test Circuit.

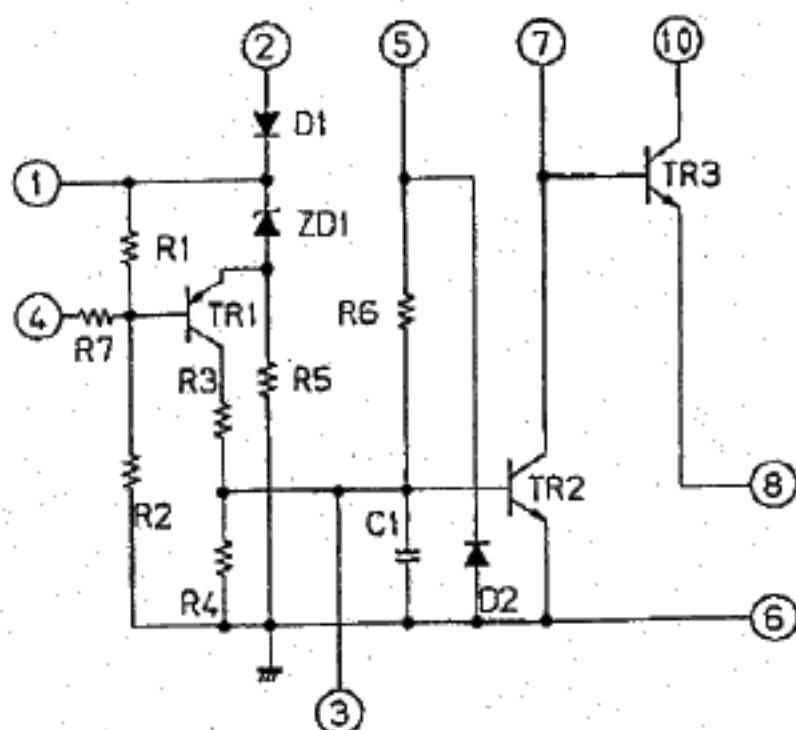
		min	typ	max	unit
Output Voltage Setting	$V_{AC} = 200\text{V}, I_O = 0.5\text{A}$	114	115	116	V
Line Regulation	$V_{AC} = 170 \text{ to } 280\text{V}, I_O = 0.5\text{A}$		0.4	1.0	V
Load Regulation	$V_{AC} = 200\text{V}, I_O = 0.4\text{A to } 0.87\text{A}$		1.5	2.0	V
Input Power	$V_{AC} = 200\text{V}, I_O = 0.87\text{A}$		102	105	W
Output Ripple Voltage	$V_{AC} = 200\text{V}, I_O = 0.87\text{A}$		0.4	0.6	$V_{pp}$
Temperature Coefficient	$V_{AC} = 200\text{V}, I_O = 0.87\text{A}$		7		$\text{mV}/^\circ\text{C}$
Reduced Voltage Characteristic	$V_{AC} = 170\text{V}, I_O = 0.87\text{A}$	111.0	112.5		V
Light Load Characteristic	$V_{AC} = 200\text{V}, R_L = 4.7\text{k}\Omega$		125	135	V

Specifications and information herein are subject to change without notice.

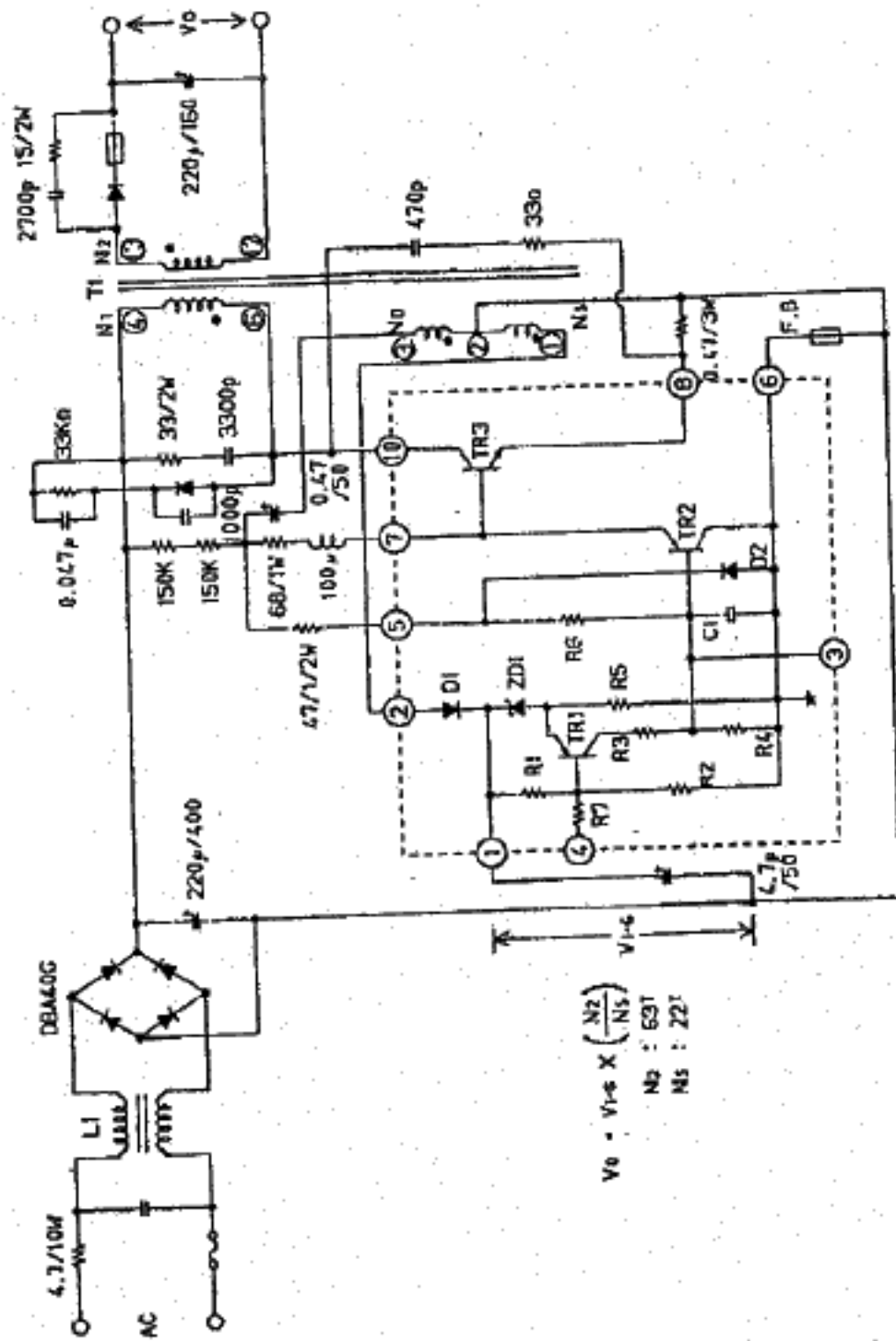
**SANYO Electric Co., Ltd. Semiconductor Overseas Marketing Div.**  
 Natsume Bldg., 18-6, 2-chome, Yushima, Bunkyo-ku, TOKYO 113 JAPAN

5268TA, TS STK73410II -1/4

## Internal Equivalent Circuit (STK73410II)



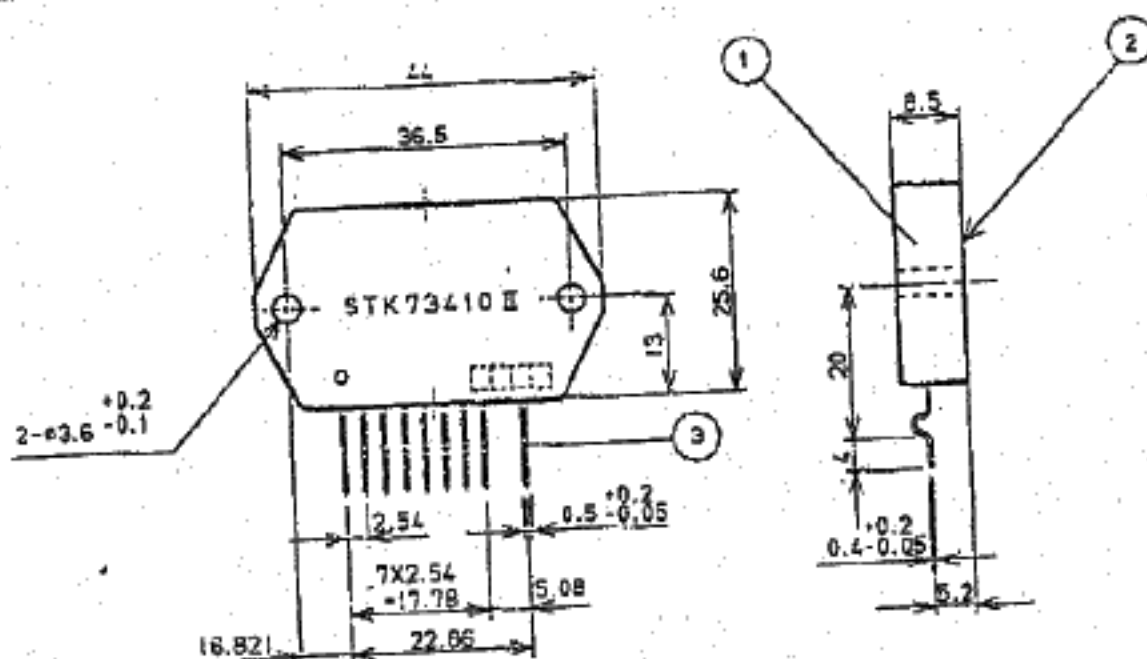
Application Circuit for 200V AC Input Voltage (STK73410II)



$$V_0 = V_{i-c} \times \left( \frac{N_2}{N_1} \right)$$

$N_2 : 69T$   
 $N_1 : 22T$

Case Outline  
(unit: mm)



The application circuit diagrams and circuit constants herein are included as an example and provide no guarantee for designing equipment to be mass-produced. The information herein is believed to be accurate and reliable. However, no responsibility is assumed by SANYO for its use; nor for any infringements of patents or other rights of third parties which may result from its use.