

M44C510

Keyboard Application

Table of Contents

Introduction.....	1
TEMIC Semiconductors.....	1
TEMIC – a Microcontroller Specialist.....	1
The History of MARC4	1
The MARC4 Family	1
Members of the MARC4 Family	3
M43C505 – Low-Current 3- and 5-V Solution for Consumer Applications	3
M44C090/092 – Low-Current Solution for Wireless Communication.....	4
M44C260 – Perfect Solution for Security and Access Control	5
M44C510 – Flexible and Powerful Solution for Embedded Control	6
M44C588 – Versatile High-End Controller for General Purposes	7
M44C636 – Perfect Solution for Low-Current Applications.....	8
Key Application Chart	9
M44C510 Keyboard Application.....	10
Keyboard Scanning and Code Generation	10
Program Description for Keypad Handling and Code Generation	11
Make/Break/Typematic Timing Control.....	12
Communication between PC and Keyboard	14
Command Protocol.....	14
Appendix.....	17
MARC4 Product Overview	17
Development Tools	18
Data Sheet M44C510.....	19

Introduction

TEMIC Semiconductors

TEMIC is the microelectronics enterprise of Daimler-Benz. TEMIC's Semiconductor division is a leading manufacturer of application-specific, value-adding integrated circuits for communication equipment, automotive and industrial systems, computers and broadcast media. Discrete semiconductors and optoelectronic devices make the product range complete.

With a technology portfolio which includes bipolar, BiCMOS, GaAs, CMOS and DMOS processes, TEMIC Semiconductors provides a unique set of components and solutions.

TEMIC – a Microcontroller Specialist

TEMIC is since twenty years a technology leader in applications requiring minimum current consumption such as watches and clocks, and has ten years of experience regarding the design of low-power microcontrollers. TEMIC offers 4-bit, 8-bit, extended 8-bit and 32-bit controllers. Our MARC4 products are high-sophisticated and well-experienced as they have been adapted to ten different technologies up to now.

Choosing TEMIC as a partner means, you will have one independent source for components – transistors, diodes, optoelectronic devices including LEDs and IrDA components, integrated circuits and smart-power devices. Due to our state-of-the-art facilities worldwide, TEMIC's production resources are more than sufficient. TEMIC guarantees excellent application support which will reduce your time-to-market. The available software library for programming as well as the detailed documentation (see appendix) are free of charge.

The History of MARC4

TEMIC Semiconductors started developing the MARC4 in 1986, based on experience with the former 4- μ m CMOS core e3101. The aim was to design an easy-to-use, high-performance, 4-bit controller by selecting a high-level language for programming and to provide highly advanced and efficient development tools. Special effort was spent to realize a modular concept with a very small core design.

After developing MARC4 products in 3- μ m and even 1.5- μ m technologies, TEMIC started working with external foundries in 1989. Since 1993, the MARC4 family has been based completely on external foundries using 2- μ m down to 0.6- μ m technologies (volatile/non-volatile).

The MARC4 Family

TEMIC offers a complete family of cost-effective, single-chip CMOS microcontrollers, based on a 4-bit CPU core designed for 1.5-, 3- and 5-V applications. The modular MARC4 architecture is HARVARD-like, high-level language oriented and best designed to realize high-integrated microcontrollers with a variety of application- or customer-specific, on-chip peripheral combinations. The MARC4 controller's low voltage and low power consumption is perfect for hand-held and battery-operated applications.

The standard members of the MARC4 family have selected peripheral combinations for a broad range of applications.

Programming is supported by an easy-to-use, PC-based software development system with a high-level language qFORTH compiler and an emulator board. The stack-oriented microcontroller concept enables the qFORTH compiler to generate compact and efficient MARC4 program codes.

Applications

The very small 4-bit core combined with a versatile peripheral cell library enables the design of application-specific microcontrollers.

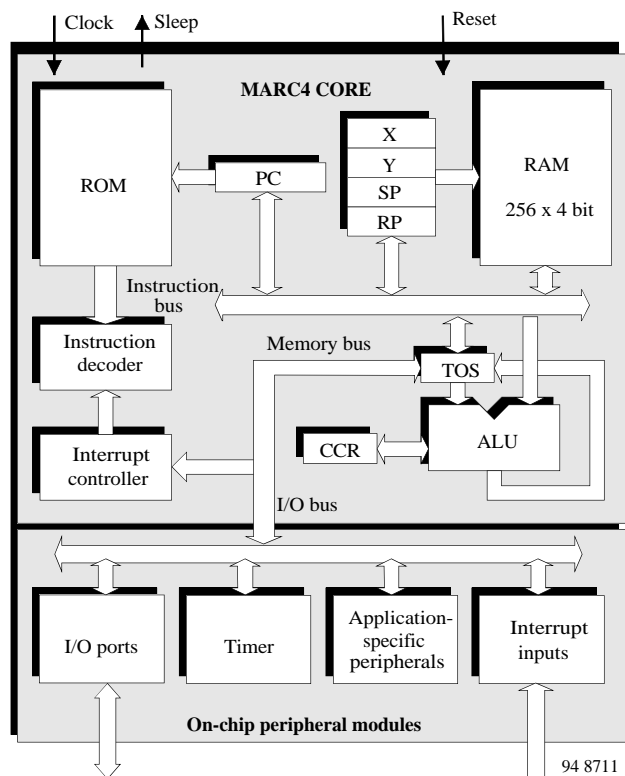
- 32-kHz sub-clock
- A/D converter
- Comparator
- EEPROM
- External interrupts
- High-current ports
- LCD drivers
- Low battery detection
- Power-on-reset
- Prescaler
- Programmable I/Os
- Reset input
- Serial I/O
- Timers/counters
- Various system oscillators
- Watchdog timer

Features

- Very small 4-bit core combined with versatile peripheral cell library
- Various on-chip peripheral combinations available
- HARVARD structure – 3 parallel-operating buses (pipelining) enhance computing power (2 clock cycles per instruction only)
- 72 RISC-like 8-bit instructions
- Stack architecture offers customized stack size and 'unlimited' subroutine nesting
- Unique 8 level interrupt controller leads to a very short (3 cycle) interrupt response time
- 'Brown-out' function and internal **Power-On-Reset (POR)** make external components unnecessary
- Small 4-bit periphery bus offers extraordinary flexibility

- 256 × 4-bit of RAM directly addressable
- Up to 9 KBytes of ROM
- Low-voltage operating range
- Low power consumption
- Hardware optimized to fit with high-level language qFORTH
- Programming and debugging is supported by an integrated software development system

Programming in the high-level language qFORTH is simple, easy to understand and advantageous. From the hardware side, the expression and return stack have a user-programmable size, the qFORTH instructions correspond directly to the machine words and therefore, the program executes fast. The software code is compact and the sub-routine nesting is nearly unlimited. In addition, programming is easy and safe due to the possibility of combining existing software modules.



MARC4 core

Members of the MARC4 Family

M43C505 – Low-Current 3- and 5-V Solution for Consumer Applications

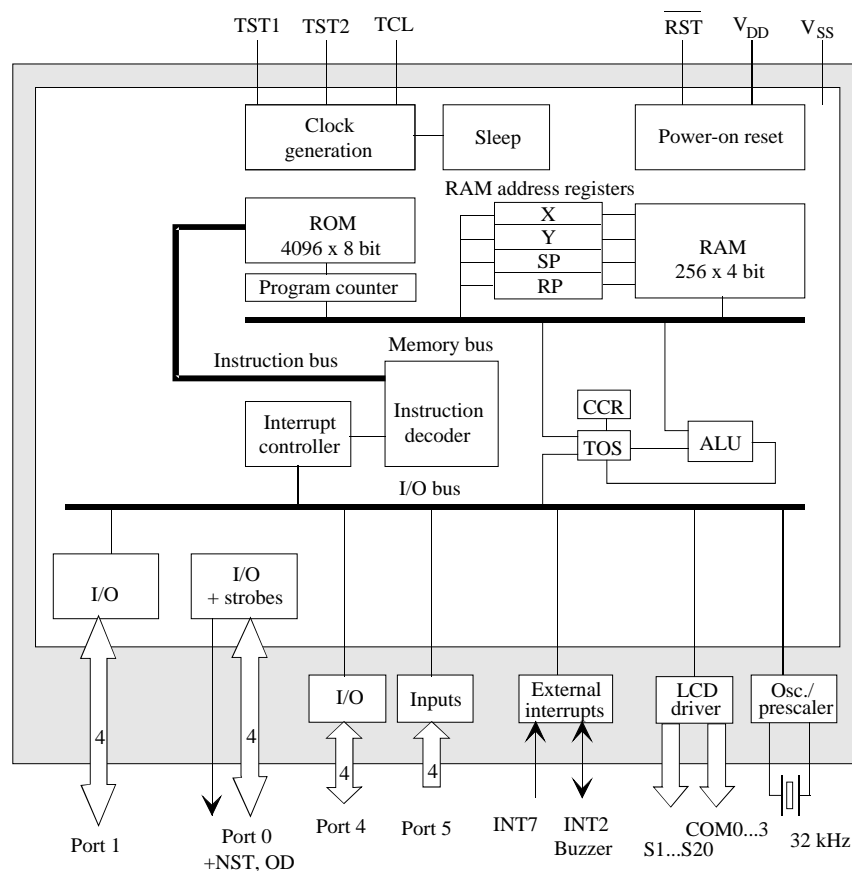
- Wide supply voltage range (2.4 V to 5.5 V)
- Very low current consumption
- 4096 × 8 ROM, 253 × 4 RAM
- 16 programmable I/Os
- 2-MHz fast system clock (1 MIPS)
- 32-kHz crystal oscillator
- 20 × 4 LCD temp.-compensated drivers
- 2 external/ 3 internal interrupt sources
- Prescaler/ interval timer
- Internal POR and brown-out

Existing applications comprise temperature measurement and -control, battery charging, bicycle computers, timers, radio-controlled clocks and CD players.

Existing software modules for time keeping, calendar, stop watches, display drivers for various multiplex rates, accurate dual-slope temperature measurement and interface software for TEMIC's radio-controlled clock receivers are part of the comprehensive qFORTH software library.

A power-saving sleep- and stop mode increases significantly battery life time in hand-held applications while offering 1 MIPS computing power during active time. Internal POR, oscillator and pull-up/-down resistors simplify PCB layout and minimize system costs.

Software is free of charge for these applications which increases the confidence level and reduces the time-to-market for new developments.



M43C505

M44C090/092 – Low-Current Solution for Wireless Communication

- 4 mask-selectable system-clock sources, crystal oscillator, external clock, RC oscillator with/ without external resistor
- Wide supply voltage range (1.8 V to 6.2 V)
- Very low sleep current
- 2/4 + 0.5 KByte ROM, 128 × 4 bit RAM
- 512-bit EEPROM optional
- 12/20 programmable I/Os
- 32-kHz crystal oscillator (C092 only)
- Up to 5 external/ 6 internal interrupt sources
- Prescaler/ interval timer
- 2-wire serial interface
- Multi-functional timers/ counters incl. IR/ RF remote control carrier generation
- Watchdog, POR and brown-out function
- OTP M48C092
- SO8 package (M44C090)

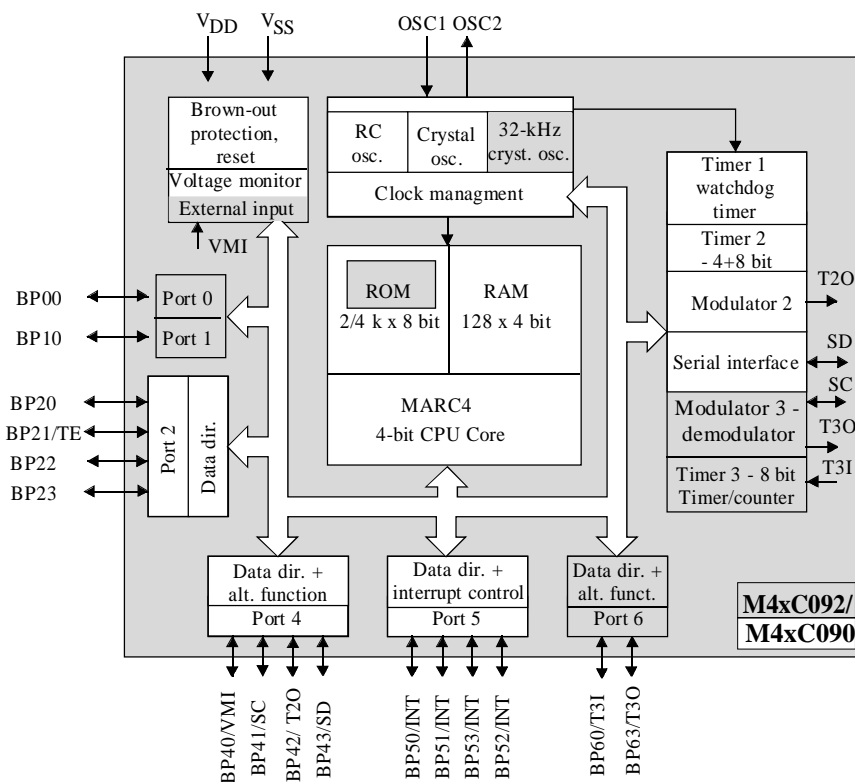
The two MARC4 products M44C090 and M44C092 offer highest integration for IR and

RF data communication and remote control. These controllers are optimized for the requirements of the transmitter as well as the receiver side.

TEMIC's system know-how was used to integrate the modulator into the M44C090 and the modulator as well as the demodulator for commonly-used wireless protocols into the M44C092.

Both controllers perfectly match the RF front end device U2740B and the IR driver chip U426B. This – along with the very small SSO package and the approach to minimize the number of external components – leads to extremely compact remote control units, e.g., for electronic keys. Finally, the very low current consumption and the extended supply voltage range optimizes battery life time.

Development is supported with the OTP M48C092 which covers the features of the M44C092 and both includes the performance of the M44C090.



M44C090/092

M44C260 – Perfect Solution for Security and Access Control

- Wide supply voltage range (2.4 V to 6.2 V)
- Very low sleep current
- 4 KByte ROM, 256 × 4 bit RAM
- 128 bit EEPROM on board
- 18 programmable I/Os
- 4.2-MHz fast system clock (FLL)
- 32-kHz crystal oscillator
- 6 interrupt sources
- Prescaler/ interval timer
- Multi-functional timers/ counters incl. IR remote control carrier generation
- Watchdog and POR
- OTP M48C260

The M44C260 is specially optimized for IR remote control and security and access control applications, e.g., for automotive and industrial applications.

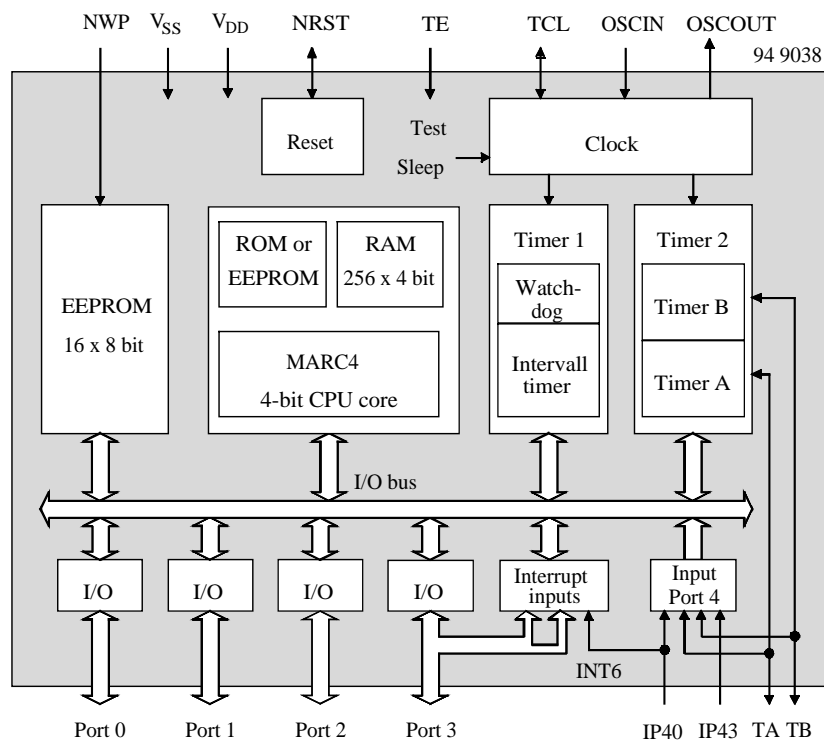
The on-board 128-bit EEPROM offers the capability to store and change identifiers as well as security codes. Any application which requires the ability to store a small amount of data will also benefit.

The multi-function timer/counter modules which are also on-board include modes to directly generate the signal for an IR transmitter device such as TEMIC's U426B.

The wide supply voltage range combined with the very small current consumption increases battery life time in mobile applications.

The OTP M48C260 simplifies and reduces the development time.

For detailed information please refer to TEMIC's "Automotive Safety and Convenience Data Book".



M44C260

M44C510 – Flexible and Powerful Solution for Embedded Control

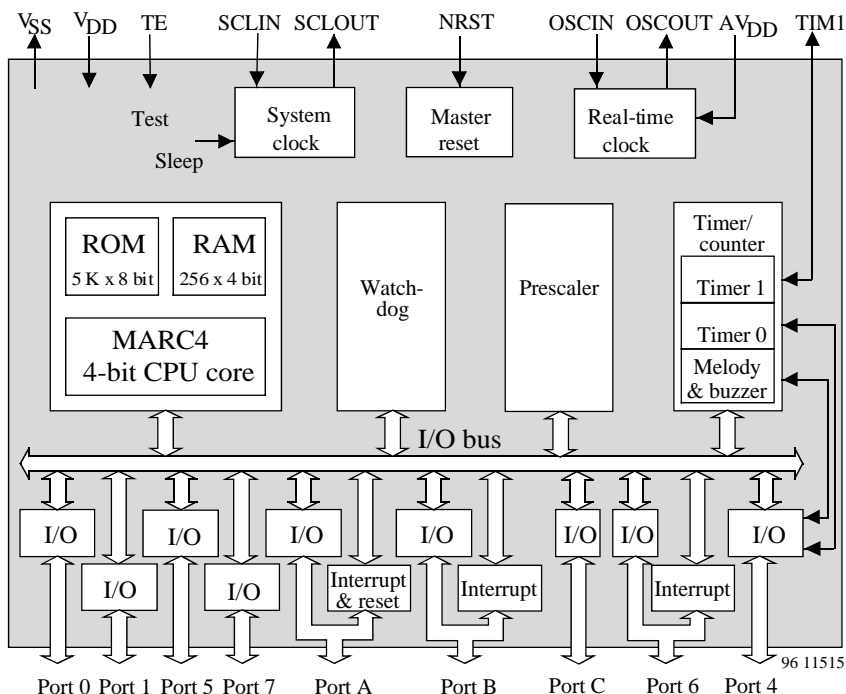
- 4 mask-selectable system-clock sources, crystal oscillator, ceramic resonator, RC oscillator with/ without external resistor
- Wide supply voltage range (2.4 V to 6.2 V)
- Very low current consumption
- 4 KByte ROM, 256 × 4 bit RAM
- 32 bitwise-programmable I/Os
- High-current outputs
- 32-kHz crystal oscillator
- 10 external and 4 internal interrupt sources
- Prescaler/ interval timer
- Two 8-bit multi-functional timers/ counters
- Watchdog timer, internal POR and brown-out
- Minimum external components
- Very small package (SSO44)

The M44C510 presents a solution for embedded control applications. Various mask

options provide an optimum price-performance ratio for the system.

Due to the pull-up/-down, push-pull and open-drain functions of the bit-wise programmable I/Os, external components become unnecessary. LEDs and relays can directly be connected to the M44C510 by using up to eight I/Os driving 20 mA each. Mask selectable clock sources cover a wide range of application requirements. Watchdog, POR and brown-out function supervise correct operation. More than ten timer/counter modes offer D/A conversion, event counting, 16-bit modes and even melody modes. The wide supply voltage range along with the very small current consumption supports battery-powered systems.

Software modules available include keyboard software, LCD and LED display driver, serial port protocols, radio-controlled clock decoders and timer as well as temperature measurement modules.



M44C510

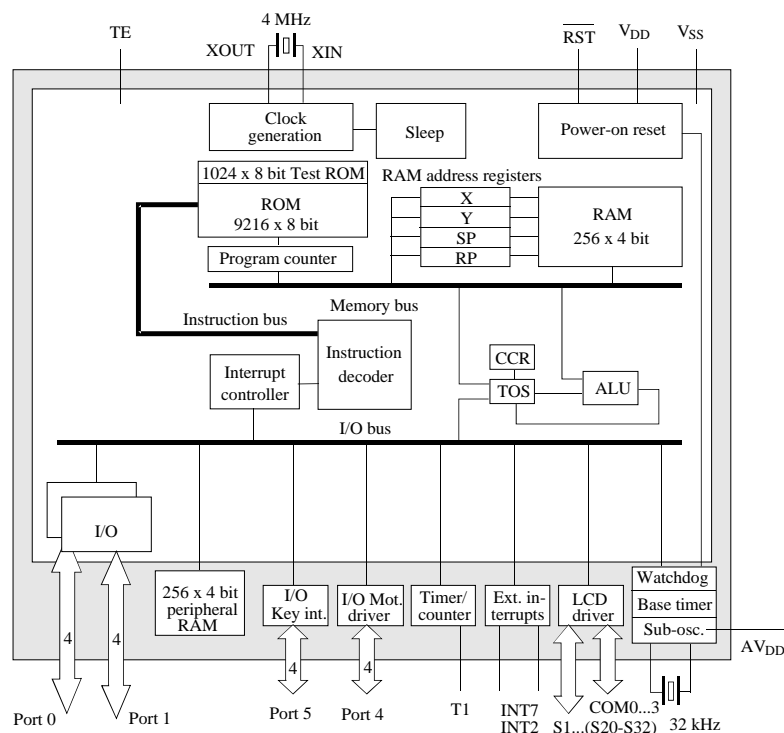
M44C588 – Versatile High-End Controller for General Purposes

- Various mask-selectable system clock sources to define application-specific system price/ performance ratio
- Dual clock mode for minimum current consumption
- Wide supply voltage range (1.8 to 6.2 V)
- 9 KByte ROM, 512 × 4 bit RAM
- Up to 32 I/Os incl. high-current ports
- 32-kHz crystal oscillator
- Up to 32 × 4 LCD segments
- Prescaler
- 8 external and 5 internal interrupts
- Watchdog, POR and low battery detection for enhanced system security
- Synchronous 8-bit serial port
- Multi-function timer/ counter incl. IR/ RF remote control carrier generation

High-end, battery-powered consumer applications such as bicycle computers, feature watches, diver computers and high-end, radio-controlled clocks/watches which all require both computing power and low current consumption will benefit from the M44C588.

The dual clock mode and core frequencies of 4 MHz (2 MIPS) on the one hand and 32 kHz slow operation/ sleep mode (consuming only micro-amps) on the other hand make the M44C588 the best solution for these tough requirements.

The programmable I/Os with pull-up/-down options, integrated oscillators, 20-mA drive capability, internal watchdog, POR and low battery detection minimize the number of system components, resulting in reduced system costs and PCB size. The integrated temperature-compensated display drivers for up to 128 LCD segments enable even sophisticated display solutions. Data transfer to external storage devices such as serial EEPROMs is simplified by the serial port.



M44C588

M44C636 – Perfect Solution for Low-Current Applications

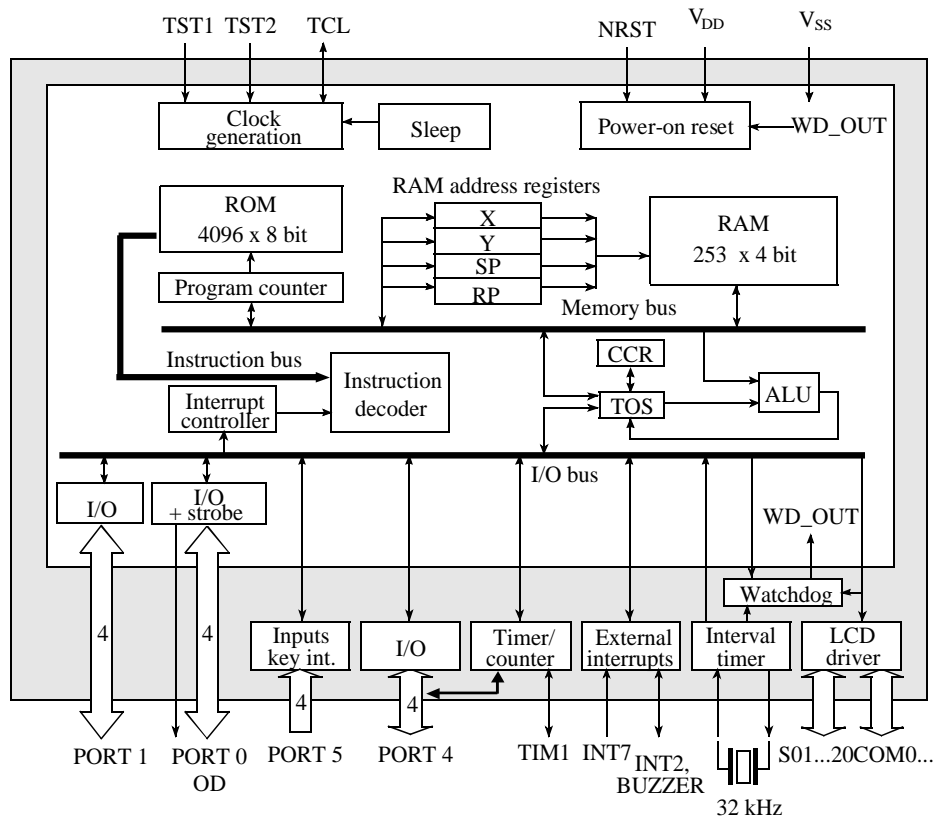
- 1.2 V to 2.2 V/ 1.8 V to 3.6 V (mask opt.)
- < 1 μ A sleep mode current, 200 μ A active current
- On-chip RC system clock oscillator
- 4 KByte ROM, 253 \times 4 bit RAM
- 16 programmable I/Os
- 32-kHz crystal oscillator
- 20 \times 4 temperature-compensated LCD driver segments
- Prescaler/ interval timer
- Two independent 8-bit timers/ counters
- Watchdog and POR

The M44C636 is pushing the limits of low-current consumption to the values of the dis-

charge of batteries. Combining sleep and active periods, system currents of less than 2 μ A can be designed. The M44C636 therefore fits exactly to applications such as feature watches, radio-controlled clocks/watches, timers powered by back-up capacitors and even telecom applications such as telephone-rate counters directly powered by transmission lines.

Mask options adjust the extended supply voltage range of the M44C636 to 1.5-V or 3-V batteries. For 3-V applications, an internal voltage regulator powers the core, reducing the active current down to 200 μ A.

Two multi-function timers/counters and motor output drivers support 3-V watch applications even including motor-pulse chopping. Internal watchdog, brown-out function and POR supervise correct operation.



M44C636

Key Application Chart

MARC4 Product	Key Applications
M43C505	Temperature measurement Altitude and distance meter Battery charger/ shaver
M44C090/092	Remote control
M44C260	Access control/ security
M44C510	White goods, industrial control RC clocks/ feature watches Keyboard controller
M44C588	Bicycle computer, diver computer high-end RC clocks/ watches
M44C636	Telecom applications Timer/ blind control RC clocks/ feature watches

M44C510 Keyboard Application

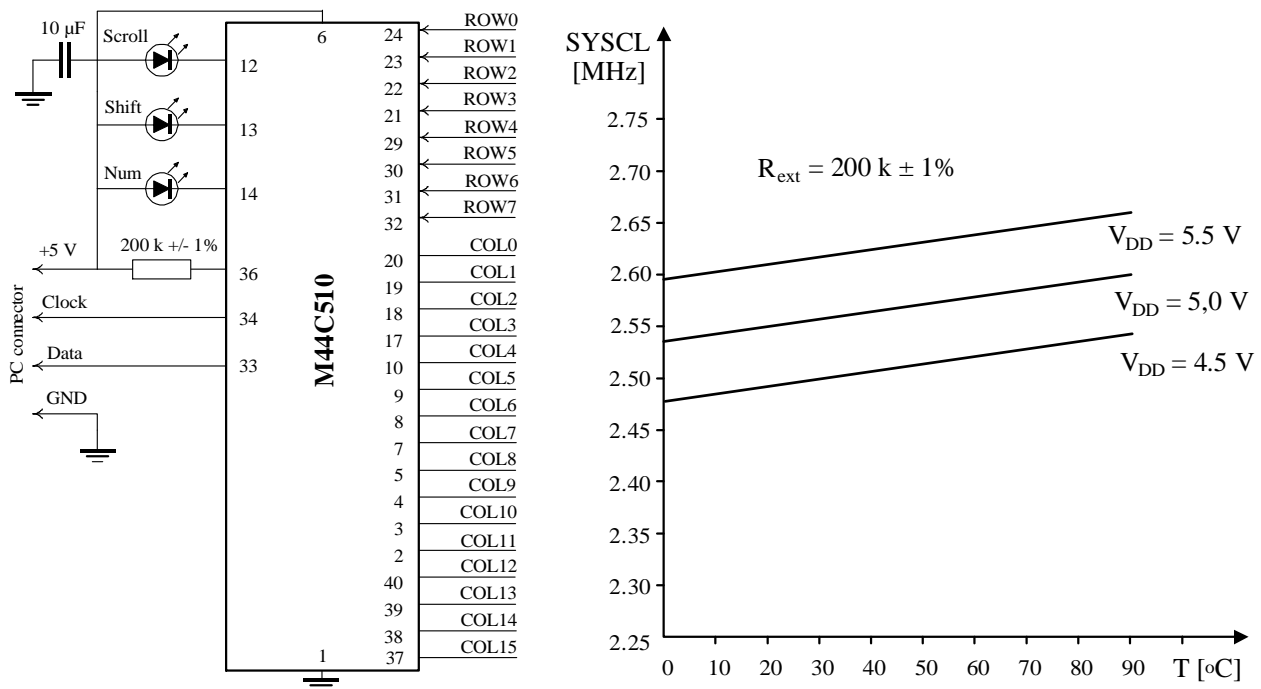


Figure 1. M44C510-P40 as keyboard controller

Keyboard Scanning and Code Generation

A key matrix is scanned every 4 milliseconds. Scanning is performed by sequentially pulling each of the 16 column outputs in turn to a low level while the other column outputs remain high. For each column, the eight row inputs are monitored for activated keys.

Each key is defined by a matrix number, a row and a column number (see figure 2). The current software handles up to eight simultaneously activated keys. If more than eight keypads are pressed, the others are ignored.

The M44C510 hardware supports up to 12 simultaneously-activated keys.

Each key has an associated Make/ Break code which is transmitted serially to the host PC. This code signals the activation or release of that particular key. The codes consist of single or multiple byte sequences. There are three different scan code sets (XT, AT, PS2) which can all be supported by the TEMIC microcontroller. The release/activation of a key is only accepted by the controller after the matrix inputs have remained stable for two consecutive scan cycles (anti-bounce guard period).

All keys operate in a Typematic mode. When a key is pressed and held, the keyboard repeatedly transmits the corresponding Make code after a defined delay (Typematic Delay) with a pre-defined repetition rate (Typematic Rate).

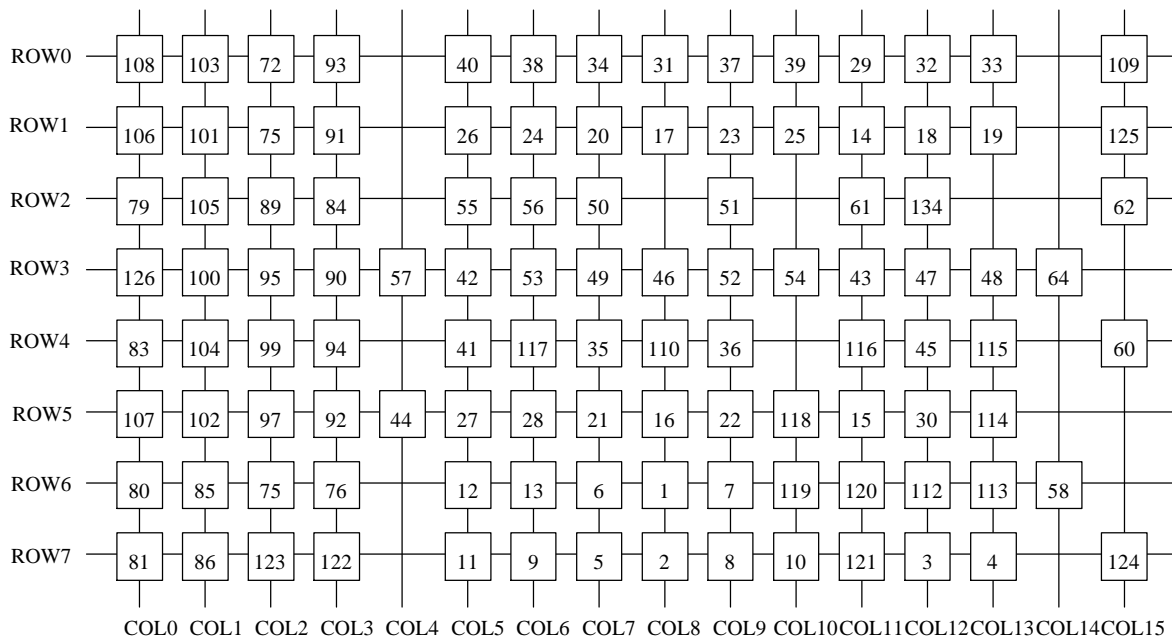


Figure 2. Keyboard matrix

Program Description for Keypad Handling and Code Generation

The controller keeps track of the incoming keys using eight working register pairs. There is one pair for each of the 8 keys that can be activated at any time. Each pair consists of an 8-bit key data register for storing the key matrix row/column address, and a 4-bit key bounce register which stores the present key status and controls the anti-bounce protection. For a detailed description, see figures 3 and 4.

During every scan cycle, the controller monitors the keypad matrix inputs and stores the row and column addresses of all pressed keys in a temporary scan buffer. At the end of the cycle, the monitored addresses are compared with the key addresses of active keys in the 8 key data registers. Those addresses which can not be found, (i.e., newly activated keys) are stored in an empty key data register, and the corresponding bounce state is set to 2. The associated bounce state of all matching key addresses (already activated keys) are updated to either 4 or 7 depending on whether the key was detected for the first time in the preceding

scan cycle or whether it has been activated for a longer time. Finally, after this comparison phase, all bounce values are decremented and the next scan cycle is resumed.

If the resultant decremented bounce state is 3, the Make code for that key is generated and stored. If, on the other hand, the bounce state decrements to 4, the corresponding Break code is similarly generated. Thus, a newly activated/released key will generate a Make/Break code after two scan cycles.

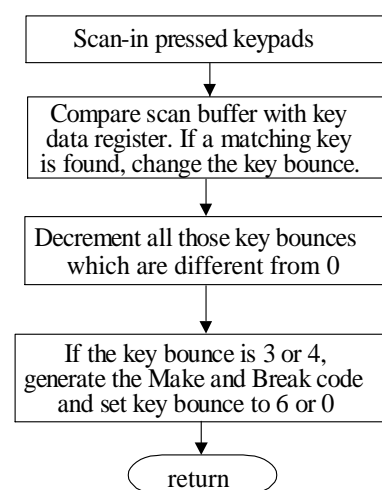


Figure 3. Bounce handling

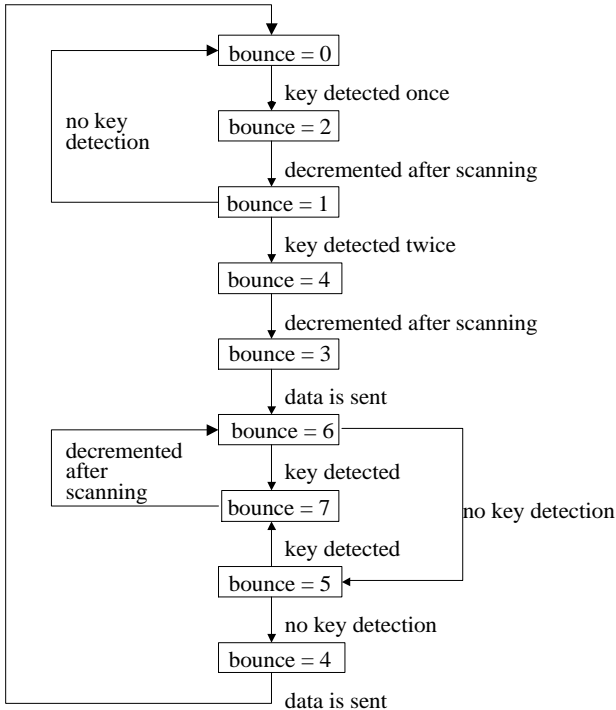


Figure 4. Make/Break Code generation

Make/Break/Typematic Timing Control

After every complete matrix scan, the controller checks detected key arrangements for so-called ghost keys. Due to the arrangement of single contact keys in the standard key matrixes, activating three keys on two orthogonal axis causes an indirect connection between two row lines. This might cause a controller to detect a further, fourth, non-activated ghost key. If this were the case, the controller would see four pressed keys instead of

three, as shown in figure 5. A situation as described above can be detected by the M44C510 and a ghost key code is then generated.

Case keys (Shift, Alt, Ctrl or Num Lock) also have their own Make/Break codes. Normal keys, when activated together with one or more Case keys, cause modified Make/Break codes. To handle such multi-key combinations, the controller always stores and updates the present status (active/non active) of each Case key. These are updated whenever a case key Make/Break occurs. Only certain keys can be used together with a case key and only the codes for these keys are modified in the case of a simultaneous Case key activation.

All Make/Break codes are stored in an output FIFO keyboard buffer.

After loading a new key code into the FIFO, the key address is stored in a Typematic pointer register and the Typematic Delay value is loaded into a Typematic counter. This then proceeds to count down unless disabled by a Break code. When time out occurs, the counter reloads with the Typematic Rate period and sets the last code, addressed by the Typematic pointer, again into the FIFO. This is repeated until the key is released and the key bounce state 4 is reached (see figure 4), whereby the Typematic Pointer is reset, the Break code put into the FIFO and the bounce state set to 0 (i.e., empty key data).

A reset of the Typematic pointer disables the Typematic counter and thus the key repeat function.

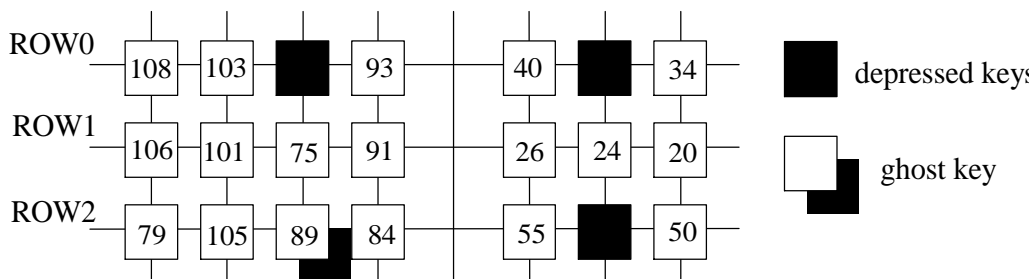


Figure 5. Generation of a ghost key

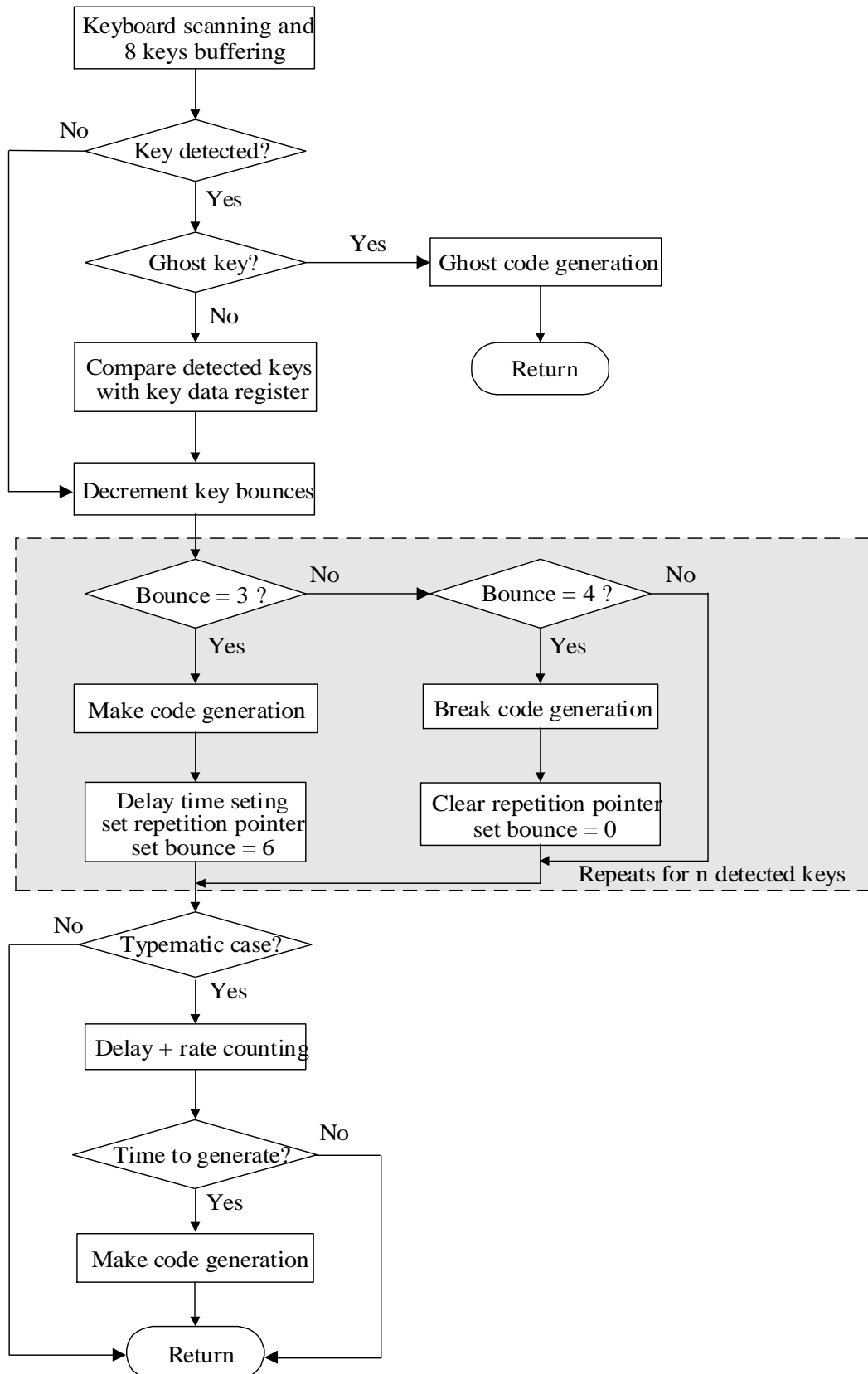


Figure 6. Make/Break/Typematic timing state diagram

Communication between PC and Keyboard

The following subsection describes the interfacing of the microcontroller to the PC.

After power-up, the microcontroller sets the clock and data lines to a high level and checks the current line status.

There are three line status modes possible:

- PC forces clock line low (communication interrupted/inhibited by PC)
- PC forces data line low (request to send data from PC to keyboard)
- Data and clock line high (scan code transmission by keyboard)

The clock line is always driven by the microcontroller, except when the PC inhibits communication. If the clock line is high, the controller checks the data line. When it is low (forced by the PC), the PC signals a request to send serial data to the keyboard. In this case, the controller supplies a serial clock burst to fetch the data packet from the PC.

When data and clock lines are high, the serial channel is free for the controller to transmit the scanned key codes to the PC.

Each serial data packet normally consists of an 11-bit data stream, including a start bit, 8 data bits, a parity bit and stop bit (see figure 7).

In transmit mode, the data sent by the controller to the PC is valid during the low level of the clock signal. Data changes during the high clock phase. The data transfer can be interrupted by the PC at any time up until the rising edge of the 10th clock pulse (parity bit).

In receive mode, the received PC data is valid during the high level of the clock signal and changes during the low level. After detecting the stop bit, the controller forces the data line to a low level for a one-bit period (line control bit).

The start bit is always low and the stop bit high.

Command Protocol

The controller must handle different types of data – both commands and data to and from the PC, acknowledge signaling and key scan codes from the keyboard FIFO buffer. All commands and data are organized in serial packets as described above. Commands coming from the PC always have priority and a new command always overrides a preceding one. To initiate a command, the PC forces the data line low and the M44C510 supplies eleven clock pulses and reads in the command.

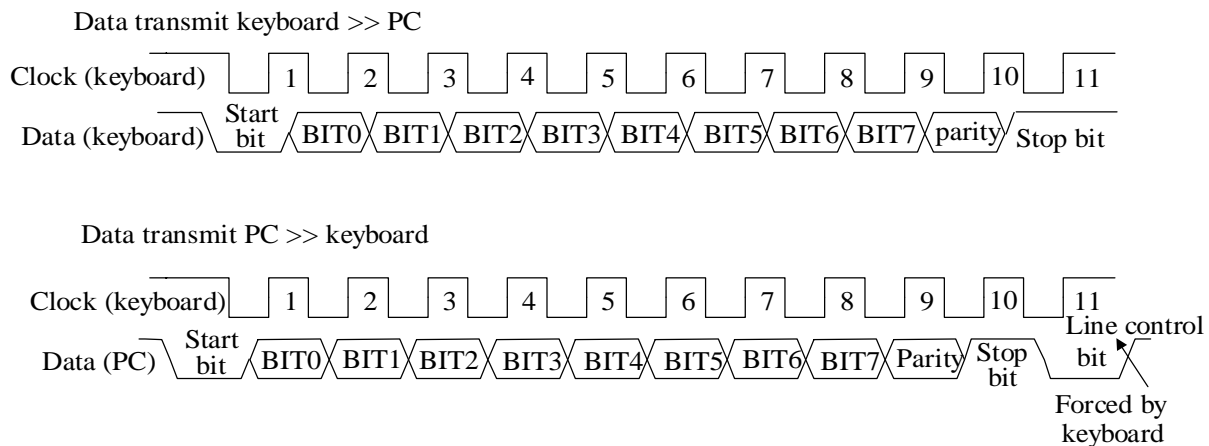


Figure 7. Data communication format

Some of these PC commands request either data from the keyboard, or prepare the keyboard to receive the following data words. After receiving a command, the controller returns an acknowledge word (FA hex). If the command involves data transmission from/to the PC, the acknowledge is followed by the transmission of the data. The M44C510 sends only the key scan codes from the FIFO buffer when there is no request from the PC.

Whenever there is a request from the PC, the controller reads in the data (see figure 8). The data is checked to see whether it is a new command. A new command is stored in a Command Register. The command is decoded and the number of associated data bytes to be handled is stored in a Command Status register. The acknowledge word (FA hex) is stored in the command output buffer and transmitted, whereupon the Command Status register dec-

rements and tests for zero. If it is zero, this command communication is terminated and the controller is free to process other commands or return to key scanning (see figure 9). If it is not zero, the controller remains active to process further command-associated data. While the controller is involved with command communication, all keyboard scanning is suspended.

The multiple scan codes are stored into a 16-byte **First-In-First-Out (FIFO)** buffer until the PC is ready to receive them. If the FIFO is full and further scan codes appear, an overrun code is generated and stored into the 17th byte of the last occupied buffer register location. All further key activities will be ignored. The keyboard buffer contains only the scan codes and does not include any commands from the PC or optional data during command communication.

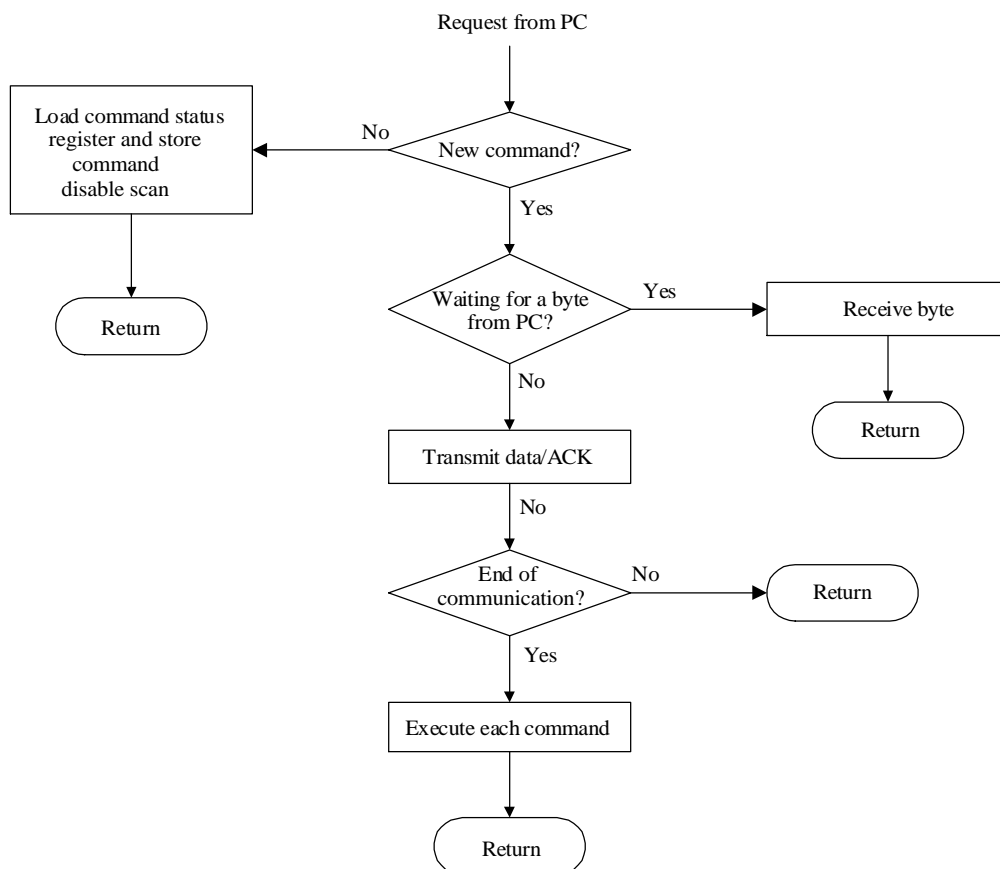


Figure 8. Command communication state diagram

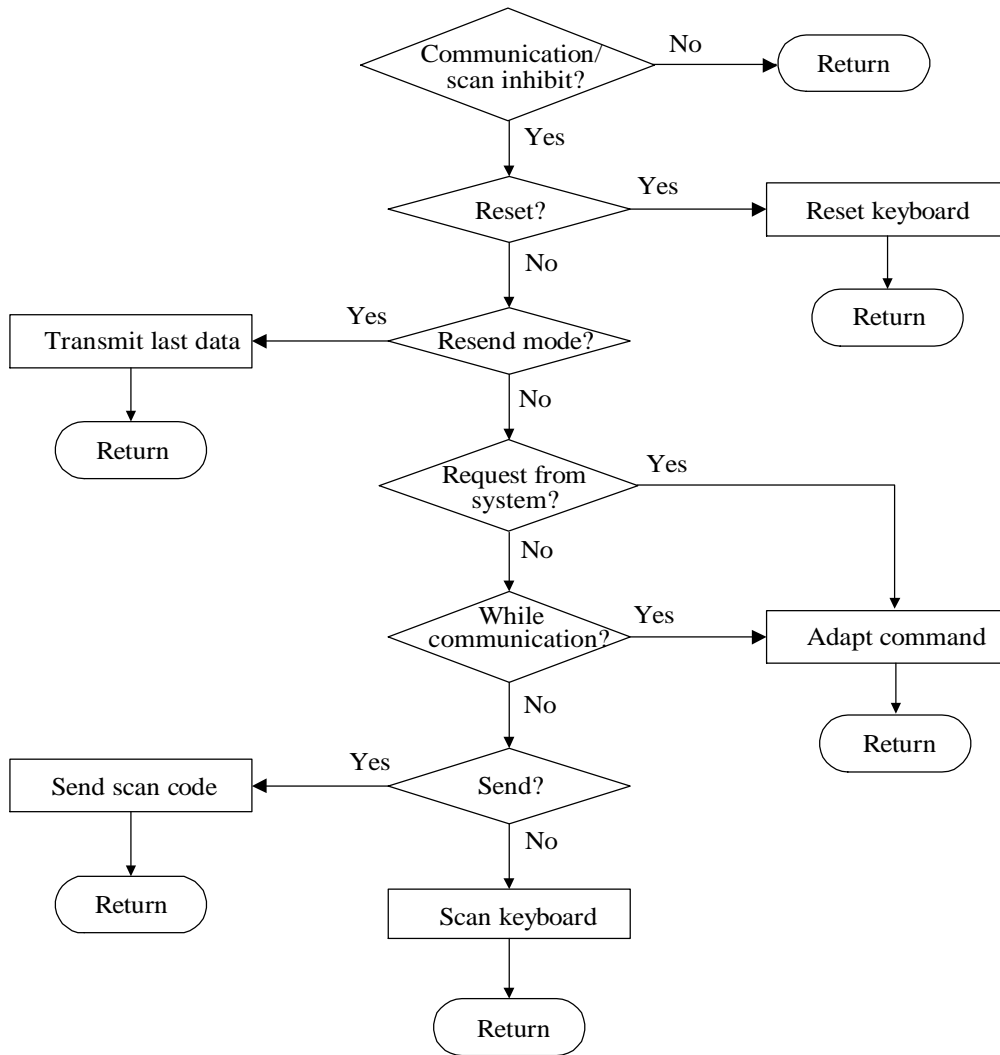


Figure 9. Communication state diagram

Appendix

MARC4 Product Overview

	M43C505	M44C090	M44C092	M44C260	M44C510	M44C588	M44C636
ROM × 8	4096	2048	4096	4096	4096	9216	4096
Test ROM × 8	-	512	512	1024	1024	1024	-
RAM × 4	253	128	128	256	256	256+256	253
EEPROM × 8	-	(64)	(64)	16	-	-	-
IN/OUT (bi-directional)	12 + 1	12	20	16	32	16 + 16	12 + 1
IN	4	-	-	2	-	-	4
Prescaler	2	1	1	1	2	2	2
8-bit timer	-	1	2	2	2	2	2
Watchdog	-	yes	yes	yes	yes	yes	yes
Batt. low	-	yes	yes	-	-	yes	-
High I out	-	-	-	-	8 × 20 mA	4 × 4 mA @ 2.4 V	2 × 1 mA
Serial I/O	-	8 bit sync.	8 bit sync.	-	-	8 bit sync.	-
LCD	20 × 4	-	-	-	-	32 × 4	20 × 4
Analog I/O	-	-	1 comparator	-	-	-	-
Interrupts	2 int., 3 ext.	3 int., 4 ext.	6 int., 5 ext.	3 int., 3 ext	4 int., 10 ext.	5 int., 8 ext.	4 int., 3 ext.
Peripheral clock	32 kHz	-	32 kHz	32 kHz	32 kHz	32 kHz	32 kHz
System clock	2 MHz (RC)	4 MHz (Q,(R)C)	4 MHz (Q,(R)C)	4.2 MHz	4 MHz (Q,(R)C)	4 MHz (Q,(R)C)	1 MHz (1.5 V) 500 kHz (3 V)
Inst. cycle	1 μs	0.5 μs	0.5 μs	1 μs	0.5 μs	0.5 μs	4 μs
IDD active	1.4 mA	1 mA	1 mA	4 mA	1 mA	1.4 mA	400 μA (1.5 V) 180 μA (3 V)
I sleep (3 V)	3 μA	10 μA	1 μA	0,8 μA	3 μA	4 μA	0.8 μA
Suppl. voltage	2.4 - 5.5 V	1.8 - 6.2 V	1.8 - 6.2 V	2.4 - 6.2 V	2.4 - 6.2 V	2.4 - 6.2 V	1.2 - 2.2 V 1.8 V-3.6 V
Package	DIT QFP64 PLCC44	DIT SO8 SO16	DIT SO28 DIP28	DIT SO28 SSO20	DIT PDIL24,40 SO28 SSO44	DIT QFP100	DIT QFP64 PLCC44
Eval. type	M45C535 (metal- ROM)	M48C092 (EEPROM)	M48C092 (EEPROM)	M48C260 (EEPROM)	M40C510 (Piggyback)		M40C636 (Piggyback)

Development Tools

Integrated Software Package SDS2

- Free-of-charge qFORTH software library
- Integrated environment with text editor and pull-down menus running on any IBM-compatible PC under MS-DOS, Windows, OS/2
- Software simulator
- Highly optimizing qFORTH compiler
- Comprehensive documentation (qFORTH, Programmer's Guide, User's Guide)

Emulator Card

- Full-sized PC/AT plug-in card
- 4 k × 32 bit instruction trace buffer
- Up to 4 PC, 4 RAM and 2 I/O breakpoints for real-time triggering
- Stack overflow and interrupt supervisor

Target Application Board

- Level shifter logic for real-time emulation even < 1.2 V
- VG96 interface connector to an additional wire-wrap board or LCD demo board
- Interface connector to emulator card
- Stand-alone operation possible from a single, external 9-V supply
- Standard 27C64 CMOS EPROM socket on board for stand-alone mode

M40C505/636 Piggyback

- 64-pin DIL-sized hybrid chip, compatible to the emulation device's pin out
- Supply voltage 2.8 V to 5.5 V
- All external components are integrated
- Standard 27C64 on top side

M44C510 Piggyback

- 40-pin DIL-sized hybrid chip

M48C260 OTP with Programming Adapter

- Available in SS028 or PDIL28 package
- Programmer attached to parallel/ printer port

MARC4 – 4-bit Universal Microcontroller

The M44C510 is a member of the TEMIC family of 4-bit single-chip microcontrollers. It contains ROM, RAM, up to 32 digital I/O pins, up to 10 maskable external interrupt sources, 6 maskable internal interrupts, a watchdog timer, 32-kHz oscillator with programmable watch timer, 2 x 8-bit multifunction timer/counter module and a versatile on-chip system clock generation module.

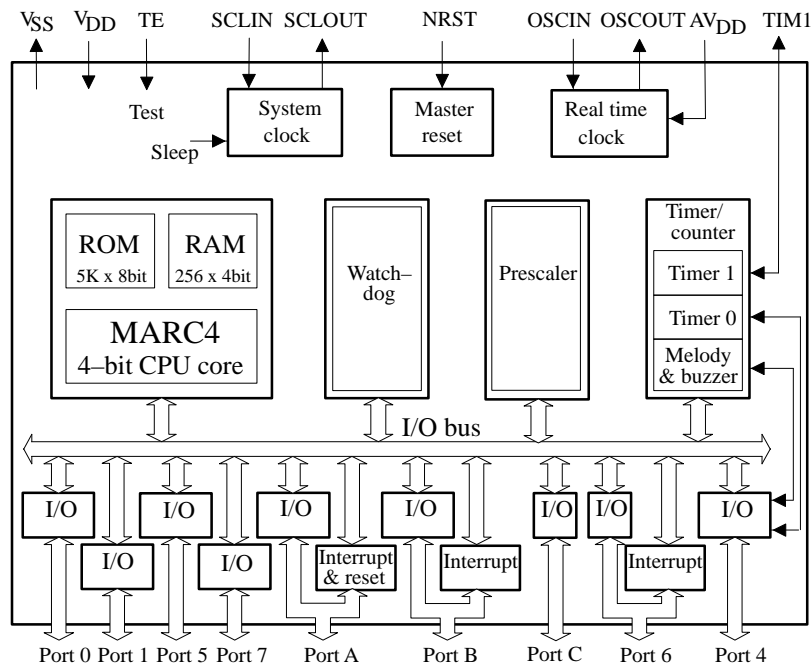
Features

- 4 K x 8-bit application ROM
- 256 x 4-bit RAM
- 8 hardware and software interrupt priority levels
- Bitwise maskable prioritized interrupts
- Up to 10 external and 4 internal interrupts
- Up to 32 I/O lines
- High drive ports (20 mA, $V_{DD} = 5\text{ V}$)
- I/O ports – bitwise configurable with combined interrupt handling (for serial I/O applications)
- 2 x 8-bit multifunction timer/counters
- 32-kHz on chip oscillator with programmable prescaler/interval timer
- User definable on-chip system clock generation
- 4-MHz crystal, 4-MHz ceramic resonator or fully integrated RC oscillator (**)

Benefits

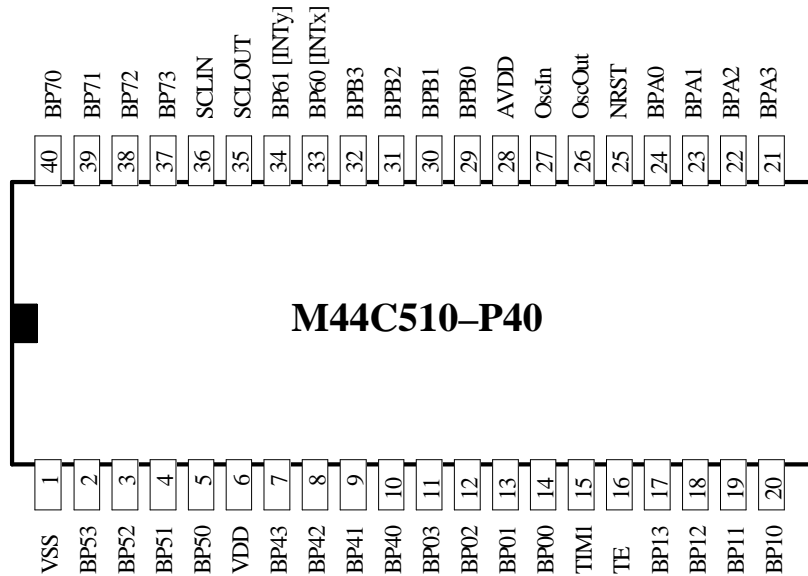
- Extremely low-power consumption
- Minimal external components
- Coded reset and watchdog timer (**)
- Power-on reset, “brown out” function
- Power-down mode
- 2.4 V to 6.2 V supply voltage
- Data retention down to 2 V in SLEEP mode
- Efficient, hardware-controlled interrupt handling
- High-level programming language in qFORTH
- Comprehensive library of useful routines
- PC based development tools

(** mask option)



96 11515

Figure 1. Block diagram



96 11516

Figure 2. Pin connections

Table 1. Pin description

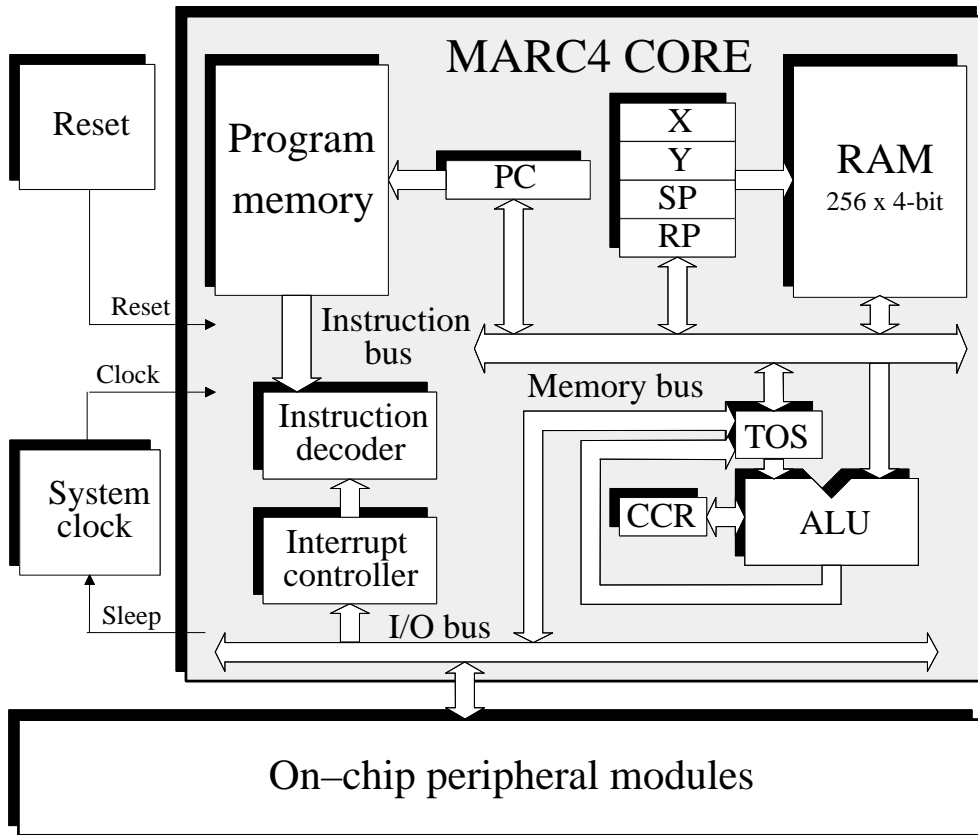
Name	Function
V _{DD}	Power supply voltage +2.4 V to +6.2 V
AV _{DD}	Analog power supply voltage +2.4 V to +6.2V
V _{SS}	Circuit ground
BP00 – BP03	4 bidirectional I/O lines of Port 0 – automatic nibblewise configurable I/O
BP10 – BP13	4 bidirectional I/O lines of Port 1(*) – automatic nibblewise configurable I/O
BP50 – BP53	4 bidirectional I/O lines of high current Port 5(*) – bitwise configurable I/O
BP70 – BP73	4 bidirectional I/O lines of high current Port 7(*) – bitwise configurable I/O
BPA0 – BPA3	4 bidirectional I/O lines of Port A(*) – bitwise configurable I/O and as inputs to a port monitor module. Optional coded reset inputs (*)
BPB0 – BPB3	4 bidirectional I/O lines of Port B(*) – bitwise configurable I/O and as inputs to a port monitor module
BPC0 – BPC1	2 bidirectional I/O lines of Port C (*) – bitwise configurable I/O
BP60 – BP61	2 bidirectional I/O lines of Port 6 (*) – bitwise configurable I/O or as 2 external programmable interrupts
BP40-T0OUT0	I/O line BP40 of Port 4(*) – configurable I/O or timer/counter 0 I/O T0OUT0
BP41-T0OUT1	I/O line BP41 of Port 4(*) – configurable I/O or timer/counter 0 I/O T0OUT1
BP42-BUZ	High current I/O line BP42 of Port 4(*) – configurable I/O or buzzer output BUZ
BP43-NBUZ	High current I/O line BP43 of Port 4(*) – configurable I/O or buzzer output NBUZ
TIM1	Dedicated bidirectional I/O for Timer 1
SCLIN	4-MHz quartz crystal/ceramic resonator or trimming resistor pin (mask-option dependent)
SCLOUT	4-MHz quartz crystal/ceramic resonator pin (mask-option dependent)
OSCIN	32-kHz quartz crystal pin (mask-option dependent)
OSCOUT	32-kHz quartz crystal pin (mask-option dependent)
TE	Testmode input. This input is used to control the test modes (internal pull-down)
NRST	Reset input (/output), a logic low on this pin resets the device. An internal watchdog or coded reset is indicated by a low pulse on this pin.

(*) For mask options, please see the order information.

Contents

1	MARC4 Architecture	22
1.1	General Description	22
1.2	Components of MARC4 Core	22
1.2.1	ROM	22
1.2.2	RAM	23
1.2.3	Registers	23
1.2.4	ALU	26
1.2.5	Instruction Set	26
1.2.6	I/O Bus	26
1.3	Interrupt Structure	26
1.3.1	Hardware Interrupts	28
1.3.2	Software Interrupts	28
1.4	Hardware Reset	29
1.5	Clock Generation	30
1.5.1	Clock Monitor Mode	31
1.6	Sleep Mode	31
2	Peripheral Modules	31
2.1	Addressing Peripherals	31
2.2	Bidirectional Ports	34
2.2.1	Port 0, Port 1 – Bidirectional Ports Type 1	35
2.2.2	Port 5, Port 7, Port C – Bidirectional Ports Type 2	36
2.2.3	Port A, Port B – Bidirectional Ports Type 3 – and Port Monitor Function	36
2.2.4	Port 6 – Bidirectional Port Type 4	38
2.2.5	Port 4 – Bidirectional Port Type 5	40
2.2.6	TIM1 – Bidirectional Pin Timer 1	41
2.3	Interval Timers / Prescaler	41
2.3.1	Interval Timer Registers	42
2.4	Watchdog Timer	43
2.5	Timer/Counter Module (TCM)	43
2.5.1	General Timer/Counter Control Registers	45
2.5.2	Timer/Counter in 16-bit Mode	48
2.5.3	Timer 0 Modes	48
2.5.4	Timer 1 Modes	58
2.6	Buzzer Module	61
2.7	Emulation	63
3	Electrical Characteristics	64
3.1	Absolute Maximum Ratings	64
3.2	DC Operating Characteristics	64
3.3	AC Characteristics	66
4	Pad Layout	69
5	Application Examples	70
6	Ordering Information	71

1 MARC4 Architecture



94 8973

Figure 3. MARC4 core

1.1 General Description

The MARC4 microcontroller consists of an advanced stack based 4-bit CPU core and on-chip peripherals. The CPU is based on the HARVARD architecture with physically separate program memory (ROM) and data memory (RAM). Three independent buses, the instruction bus, the memory bus and the I/O bus are used for parallel communication between ROM, RAM and peripherals. This enhances program execution speed by allowing both instruction prefetching, and a simultaneous communication to the on-chip peripheral circuitry. The extremely powerful integrated interrupt controller with associated eight prioritized interrupt levels supports fast and efficient processing of hardware events. The MARC4 is designed for the high-level programming language qFORTH. The core includes an expression and a return stack. This architecture allows high-level language programming without any loss in efficiency or code density.

1.2 Components of MARC4 Core

The core contains ROM, RAM, ALU, a program counter, RAM address registers, an instruction decoder and an interrupt controller. The following sections describe each functional block in more detail:

1.2.1 ROM

The program memory (ROM) is mask programmed with the customer application program during the fabrication of the microcontroller. The ROM is addressed by a 12-bit wide program counter, thus predefining a maximum program bank size of 4 Kbytes. An additional 1 Kbyte of ROM exists which is used partly for a quality control self-test program. The remaining space is available for the application program. The access to this additional ROM section is done by using a ROM-bank switch.

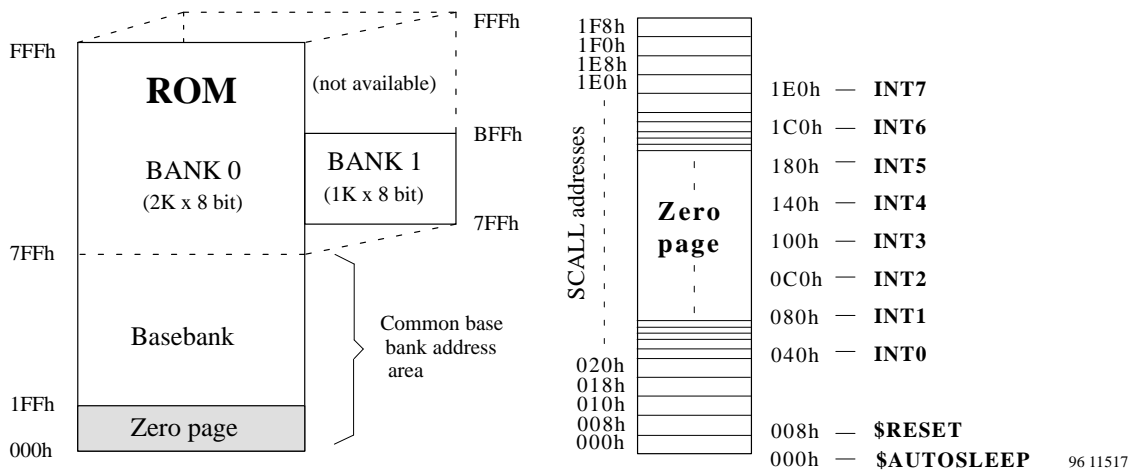


Figure 4. ROM map of M44C510

The lowest user ROM address segment is taken up by a 512-byte zero page which contains predefined start addresses for interrupt service routines and special subroutines accessible with single-byte instructions (SCALL). The corresponding memory map is shown in figure 4. Look-up tables of constants can also be held in ROM and are accessed via the MARC4's built-in TABLE instruction.

ROM Banking

Bank switching is fully supported by the compiler for customers programming with qFORTH. The MARC4 switches from one ROM bank to another by writing the new bank number to the ROM Bank Register (RBR). Conventional program space (power-up bank) resides in ROM bank 0. Each ROM bank consists of a 4-KByte address space whereby the lowest 2 KByte is common to all banks, so that addresses between 000h and 7FFh always accesses the same ROM data (see figure 4). When ROM banking is used, the compiler will, if necessary, insert the program code to save and restore the condition of the RBR on bank switching.

1.2.2 RAM

The MARC4 contains 256 x 4-bit wide static random access memory (RAM). It is used for the expression stack, the return stack and data memory for variables and arrays. The RAM is addressed by any of the four 8-bit wide RAM address registers SP, RP, X and Y.

Expression Stack

The 4-bit wide expression stack is addressed with the expression stack pointer (SP). All arithmetic, I/O and memory reference operations take their operands from, and return their result to the expression stack. The

MARC4 performs the operations with the top of stack items (TOS and TOS-1). The TOS register contains the top element of the expression stack and works in the same way as an accumulator. This stack is also used for passing parameters between subroutines and as a scratch pad area for temporary storage of data.

Return Stack

The 12-bit wide return stack is addressed by the return stack pointer (RP). It is used for storing return addresses of subroutines, interrupt routines and for keeping loop index counts. The return stack can also be used as a temporary storage area.

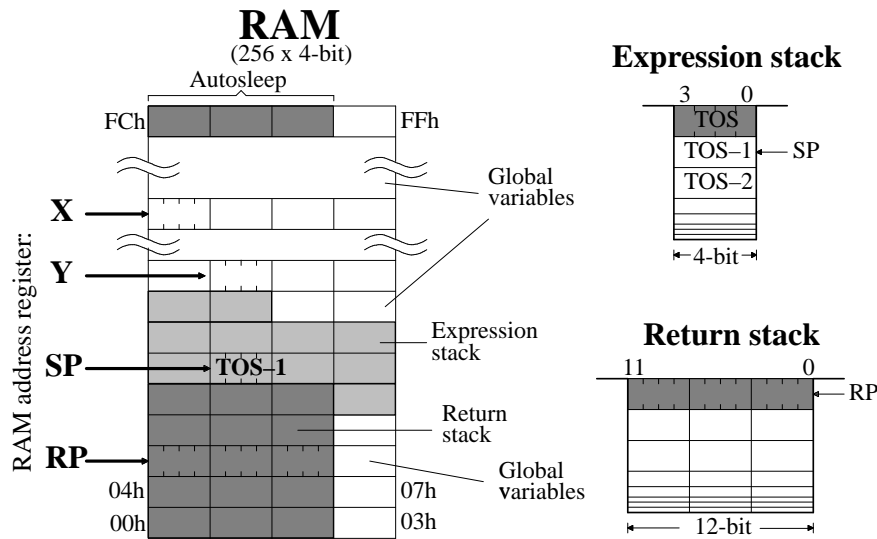
The MARC4 instruction set supports the exchange of data between the top elements of the expression stack and the return stack. The two stacks within the RAM have a user-definable location and maximum depth.

1.2.3 Registers

The MARC4 controller has seven programmable registers and one condition code register. They are shown in figure 6.

Program Counter (PC)

The program counter (PC) is a 12-bit register that contains the address of the next instruction to be fetched from the ROM. Instructions currently being executed are decoded in the instruction decoder to determine the internal micro operations. For linear code (no calls or branches) the program counter is incremented with every instruction cycle. If a branch, call, return instruction or an interrupt is executed, the program counter is loaded with a new address. The program counter is also used with the TABLE instruction to fetch 8-bit wide ROM constants.



94 8975

Figure 5. RAM map

ROM Banking Register (RBR)

The ROM banking register is a 4-bit register whereby in the M44C510, only bit 2 is used. This indicates which ROM bank is presently being addressed. The RBR is accessed with a standard qFORTH peripheral read or write instruction (IN or OUT, port address 'D' hex).

RAM Address Registers

The RAM is addressed with the four 8-bit wide RAM address registers: SP, RP, X and Y. These registers allow access to any of the 256 RAM nibbles.

Expression Stack Pointer (SP)

The stack pointer (SP) contains the address of the next-to-top 4-bit item (TOS-1) of the expression stack. The pointer is automatically preincremented if a nibble is moved onto the stack, or postdecremented if a nibble is removed from the stack. Every postdecrement operation moves the item (TOS-1) to the TOS register before the SP is decremented. After a reset the stack pointer has to be initialized with ">SP S0" to allocate the start address of the expression stack area.

Return Stack Pointer (RP)

The return stack pointer points to the top element of the 12-bit wide return stack. The pointer automatically pre-increments if an element is moved onto the stack or it postdecrements if an element is removed from the stack. The return stack pointer increments and decrements in steps of 4. This means that every time a 12-bit element is stacked, a 4-bit RAM location is left unwritten. These locations are used by the qFORTH compiler to allocate

4-bit variables. After a reset, the return stack pointer has to be initialized with ">RP FCh".

RAM Address Register (X and Y)

The X and Y registers are used to address any 4-bit item in the RAM. A fetch operation moves the addressed nibble onto the TOS. A store operation moves the TOS to the addressed RAM location. By using either the preincrement or postdecrement, addressing mode arrays in the RAM can be compared, filled or moved.

Top Of Stack (TOS)

The top of stack register is the accumulator of the MARC4. All arithmetic/logic, memory reference and I/O operations use this register. The TOS register receives data from the ALU, ROM, RAM or I/O bus.

Condition Code Register (CCR)

The 4-bit wide condition code register contains the branch, the carry and the interrupt-enable flag. These bits indicate the current state of the CPU. The CCR flags are set or reset by ALU operations. The instructions SET_BCF, TOG_BF, CCR! and DI allow direct manipulation of the condition code register.

Carry/Borrow (C)

The carry/borrow flag indicates that borrow or carry out of arithmetic logic unit (ALU) occurred during the last arithmetic operation. During shift and rotate operations, this bit is used as a fifth bit. Boolean operations have no affect on the C flag.

Branch (B)

The branch flag controls the conditional program branching. Should the branch flag have been set by a previous

instruction, a conditional branch will cause a jump. This flag is affected by arithmetical, logical, shift, and rotate operations.

Interrupt Enable (I)

The interrupt-enable flag globally enables or disables the triggering of all interrupt routines with the exception of

the non-maskable reset. After a reset, or on executing the DI instruction, the interrupt-enable flag is reset, thus disabling all interrupts. The core will not accept any further interrupt requests until the interrupt-enable flag has been set again either by executing an EI, RTI or SLEEP instruction.

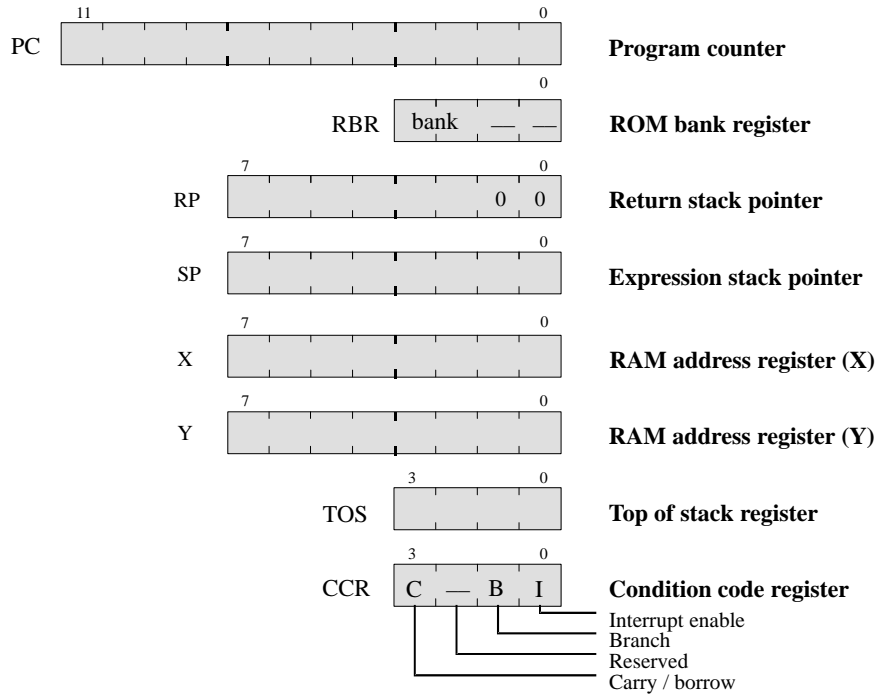
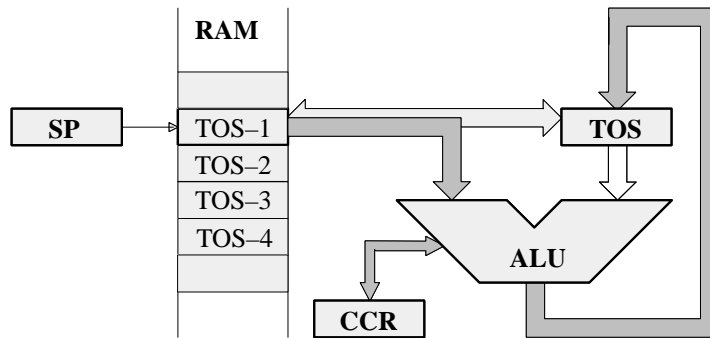


Figure 6. Programming model

96 11518

1.2.4 ALU



94 8977

Figure 7. ALU zero-address operations

The 4-bit ALU performs all the arithmetical, logical, shift and rotate operations with the top two elements of the expression stack (TOS and TOS-1) and returns the result to the TOS. The ALU operations affect the carry/borrow and branch flag in the condition code register (CCR).

1.2.5 Instruction Set

The MARC4 instruction set is optimized for the high-level programming language qFORTH. Many MARC4 instructions are qFORTH words. This enables the compiler to generate a fast and compact program code. The CPU has an instruction pipeline which allows the controller to prefetch an instruction from ROM at the same time as the present instruction is being executed. The MARC4 is a zero-address machine. The instructions contain only the operation to be performed and no source or destination address fields. The operations are implicitly performed on the data placed on the stack. There are one and two byte instructions which are executed within 1 to 4 machine cycles. A MARC4 machine cycle is made up of two system clock (SYSCL) cycles. Most of the instructions are only one byte long and are executed in a single machine cycle.

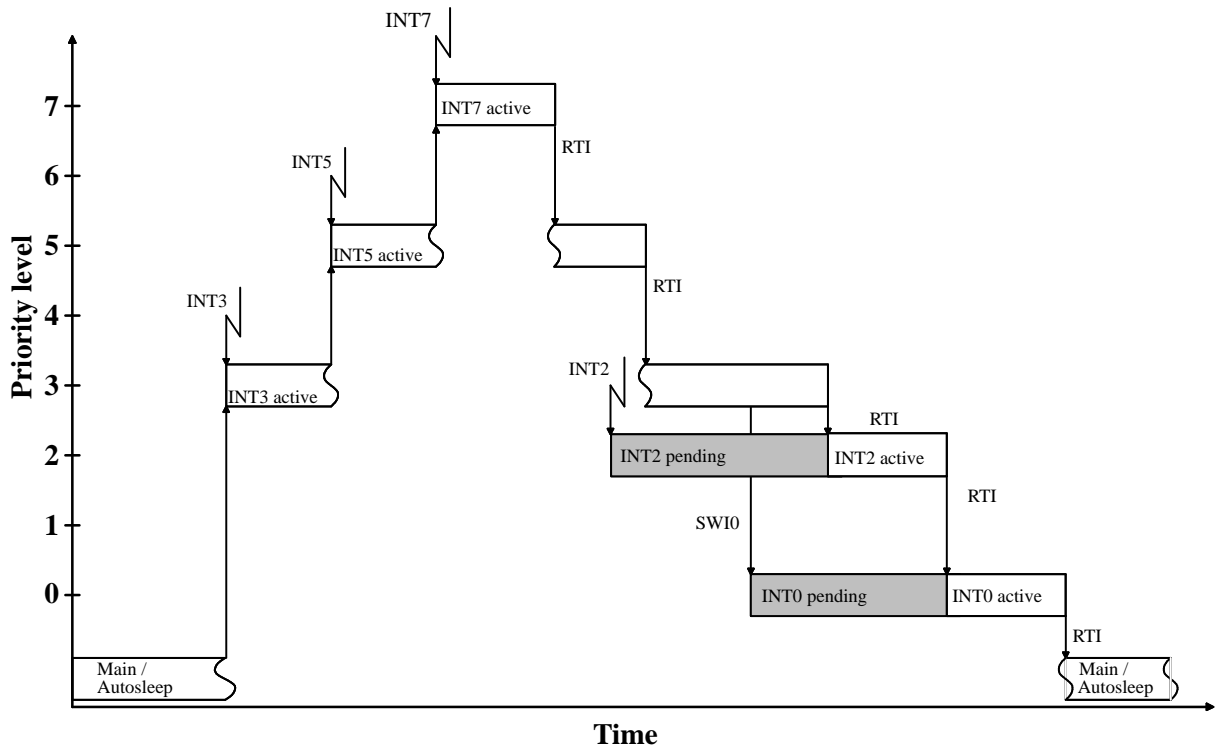
1.2.6 I/O Bus

The I/O ports and the registers of the peripheral modules (Timer 0, Timer 1, Interval timer, Watchdog etc.) are I/O

mapped. All communication between the core and the on-chip peripherals takes place via the I/O bus and the associated I/O control. With the MARC4 IN and OUT instructions, the I/O bus enables a direct read or write access to one of the 16 primary I/O addresses. More about the I/O access to the on-chip peripherals is described in the "Peripheral Modules". The I/O bus is internal and is not accessible by the customer on the final micro-controller device, but is used as the interface for the MARC4 emulation (see also the section "Emulation").

1.3 Interrupt Structure

The MARC4 can handle interrupts with eight different priority levels. They can be generated from the internal and external interrupt sources or by a software interrupt from the CPU itself. Each interrupt level has a hard-wired priority and an associated vector for the service routine in the ROM (see table 2, page 10). The programmer can postpone the processing of interrupts by resetting the interrupt enable flag (I) in the CCR. An interrupt occurrence will still be registered but the interrupt routine is only started after the I flag is set. All interrupts can be masked, and the priority individually software configured by programming the appropriate control register of the interrupting module (see section "Peripheral Modules").



94 8978

Figure 8. Interrupt handling

Interrupt Processing

For processing the eight interrupt levels, the MARC4 includes an interrupt controller with two 8-bit wide “interrupt pending” and “interrupt active” registers. The interrupt controller samples all interrupt requests during every non-I/O instruction cycle and latches these in the interrupt pending register. Whenever an interrupt request is detected, the CPU interrupts the program currently being execution, on condition that no higher priority interrupt is present in the interrupt active register. If the interrupt-enable bit is set, the processor enters an interrupt acknowledge cycle. During this cycle a short call (SCALL) instruction is executed to the service routine and the current PC is saved on the return stack. An interrupt service routine is finished with the RTI instruction. This instruction sets the interrupt-enable flag, resets the corresponding bits in the interrupt pending/active register and fetches the return address from the return stack to the program counter. When the interrupt-enable flag is reset (triggering of interrupt routines is disabled), the

execution of new interrupt service routines is inhibited, but not the logging of the interrupt requests in the interrupt pending register. The execution of the interrupt is delayed until the interrupt-enable flag is set again. Note that interrupts are only lost if an interrupt request occurs while the corresponding bit in the pending register is still set (i.e., the interrupt service routine is not yet finished).

It should also be realized that automatic stacking of the RBR is not carried out by the hardware and so if ROM banking is used, the RBR must be stacked on the expression stack by the application program and restored before the RTI. After a master reset (power-on, external or watchdog reset), the interrupt-enable flag and the interrupt pending and interrupt active registers are all reset.

Interrupt Latency

The interrupt latency is the time from the occurrence of the interrupt to the interrupt service routine being activated. In the MARC4, this is extremely short and takes between 3 to 5 machine cycles depending on the state of the core.

Table 2. Interrupt priority table

Interrupt	Priority	ROM Address	Maskable	Interrupt Opcode
INT0	lowest	040h	Yes	C8h (SCALL 040h)
INT1		080h	Yes	D0h (SCALL 080h)
INT2		0C0h	Yes	D8h (SCALL 0C0h)
INT3		100h	Yes	E8h (SCALL 100h)
INT4		140h	Yes	E8h (SCALL 140h)
INT5		180h	Yes	F0h (SCALL 180h)
INT6	↓	1C0h	Yes	F8h (SCALL 1C0h)
INT7	highest	1E0h	Yes	FCh (SCALL 1E0h)

1.3.1 Hardware Interrupts

Table 3. Hardware interrupts

Interrupt Source	Possible Interrupt Priorities								RST	Interrupt Mask		Function
	0	1	2	3	4	5	6	7		Register	Bit	
NRST external									X	–	–	low level active
Watchdog									#	–	–	1/2 – 2 sec. time out
Port A coded reset									#	–	–	level any inputs
Port A monitor		*		*		*		*		PAIPR	3	any edge, any input
Port B monitor		*		*		*		*		PBIPR	3	any edge, any input
Port 60 external		*		*		*		*		P6CR	1,0	any edge
Port 61 external	*		*		*		*			P6CR	3,2	any edge
Interval timer INTA		*				*				ITIPR	0	1 of 8 frequencies (1 – 128 Hz)
Interval timer INTB			*					*		ITIPR	1	1 of 8 frequencies (8 – 8192 Hz)
Timer 0		*		*		*		*		T0CR	0	overflow/compare/end measurement
Timer 1	*		*		*		*			T1CR	0	compare

X = hardwired (neither optional or software configurable)

= customer mask option (see “Ordering Information”)

* = software configurable (see “Peripheral Modules” section for further details)

In the M44C510, there are eleven hardware interrupt sources which can be programmed to occupy a variety of priority levels. Each source can be individually masked by mask bits in the corresponding control registers. An overview of the possible hardware configurations is shown in table 3.

The software triggered interrupt operates in exactly the same way as any hardware triggered interrupt.

The SWI instruction takes the top two elements from the expression stack and writes the corresponding bits via the I/O bus to the interrupt pending register. Thus, by using the SWI instruction, interrupts can be re-prioritized or lower priority processes scheduled for later execution.

1.3.2 Software Interrupts

The programmer can generate interrupts using the software interrupt instruction (SWI) which is supported in qFORTH by predefined macros named SWI0...SWI7.

1.4 Hardware Reset

The master reset forces the CPU into a well-defined condition, is unmaskable and is activated independent of the current program state. It can be triggered by either initial supply power-up, a short collapse of the power supply, a watchdog time out, activation of the NRST input or the occurrence of a coded reset on Port A (see figure 9). A master reset activation will reset the interrupt enable flag, the interrupt pending register and the interrupt active register. During the reset phase, the I/O bus control signals are set to 'reset mode' thereby initializing all on-chip peripherals.

Releasing the reset results in a short call instruction (opcode C1h) to the ROM address 008h. This activates the initialization routine \$RESET which in turn initializes all necessary RAM variables, stack pointers and peripheral configuration registers.

Power-on Reset

The fully integrated power-on reset circuit ensures that the core is held in a reset state until the minimum operating supply voltage has been reached. A reset condition is also generated should the supply voltage drop momentarily below the minimum operating supply.

External Reset (NRST)

An external reset can be triggered with the NRST pin. To activate an external reset, the pin should be low for a minimum of two machine cycles.

Coded Reset (Port A)

The coded reset circuit is connected directly to the Port A terminals. By using a mask option, the user can define a hardwired code combination (e.g., all pins low) which, if occurring on the Port A, will generate a reset in the same way as the NRST pin.

Table 4. Multiple key reset options

NO_RST	Not used (default)
RST2	BPA0 & BPA1
RST3	BPA0 & BPA1 & BPA2
RST4	BPA0 & BPA1 & BPA2 & BPA3

Note, that if this option is used, the reset is not maskable and will also trigger if the predefined code is written on to the Port A by the CPU itself. Care should also be taken not to generate an unwanted reset by inadvertently passing through the reset code on input transitions. This applies especially if the pins have a high capacitive load.

Watchdog Reset

The watchdog's function can be enabled via a mask option and triggers a reset with every watchdog counter overflow. To suppress the watchdog reset, the counter must be regularly reset by reading the watchdog register address (WDRES).

The CPU reacts in exactly the same manner as a reset stimulus from any of the above sources.

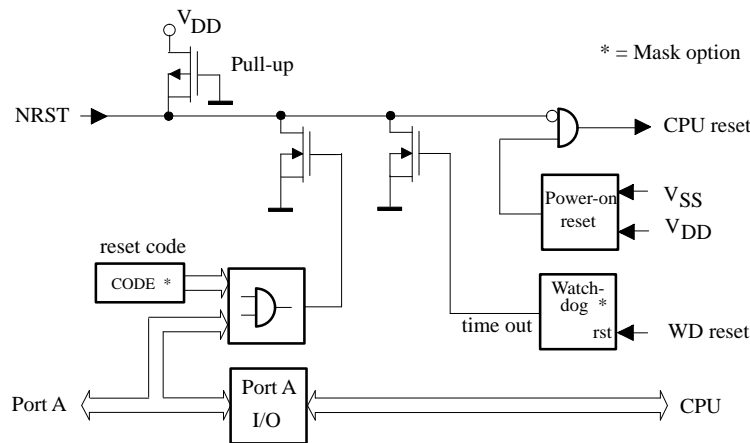


Figure 9. Reset configuration

96 11519

1.5 Clock Generation

The M44C510 has a dual clock system, a 2-MHz system clock (SYSCL) for the core and a 32-kHz subclock (SUBCL) for the time-keeping peripheral modules (see figure 10). Each clock can be generated from independent on-chip oscillators or they can both be derived from independent on-chip oscillators or they can both be derived from independent on-chip oscillators or they can both be derived from independent on-chip oscillators. This is mask selectable - allowing a choice of either an 4-MHz crystal, 4-MHz ceramic resonator or a RC oscillator. All the necessary oscillator circuitry, with the exception of the actual crystal or resonator, are integrated on chip. Therefore, if no exact timing is required, for example, it is possible to use the fully integrated RC oscillator, thus operating without any external components.

An additional mask option enables a high resolution trimmable RC oscillator whereby the SYSCL can be trimmed with an external resistor between SCLIN and V_{DD}. In this configuration, the SYSCL frequency can be maintained stable to within a tolerance of ±10% over the full operating temperature range. A SYSCL frequency of

2 MHz, for example, can be obtained by connecting a 220 kΩ resistor (see figures 44, 48 and 49).

Some applications require only long-term time keeping or low resolution timing. In this case, an on-chip, low-power 32-kHz crystal oscillator can be used to generate the SUBCL. This allows the core to go into SLEEP mode when not used, and therefore greatly reduces power consumption.

If the full 2-MHz timing resolution is required, then either the crystal or resonator oscillator should be used for SYSCL generation.

Should a suitable external 1...4-MHz or 32-kHz clock source be available, then SCLIN (Crystal oscillator configuration) or OSCIN respectively can be used as the input.

Note: A SYSCL frequency of 2 MHz leads an instruction cycle time of 1 μs.

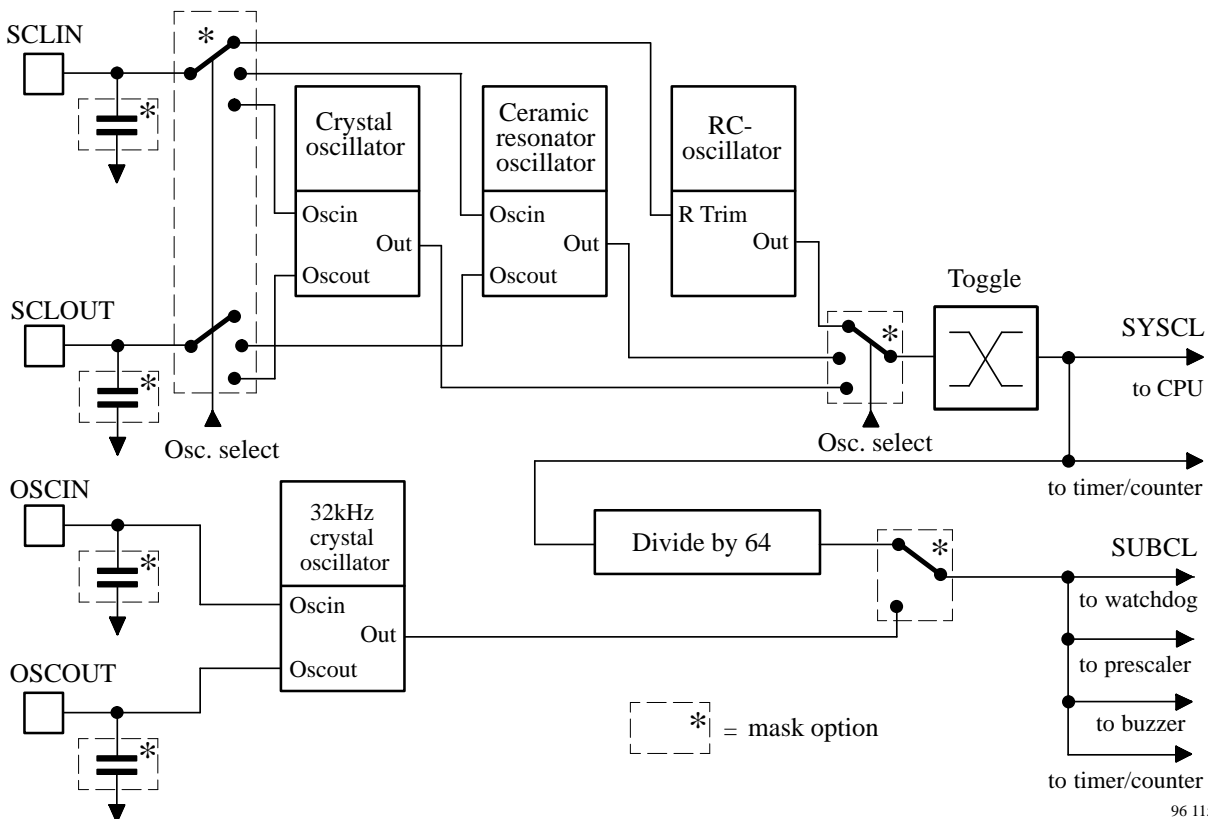


Figure 10. Clock module

1.5.1 Clock Monitor Mode

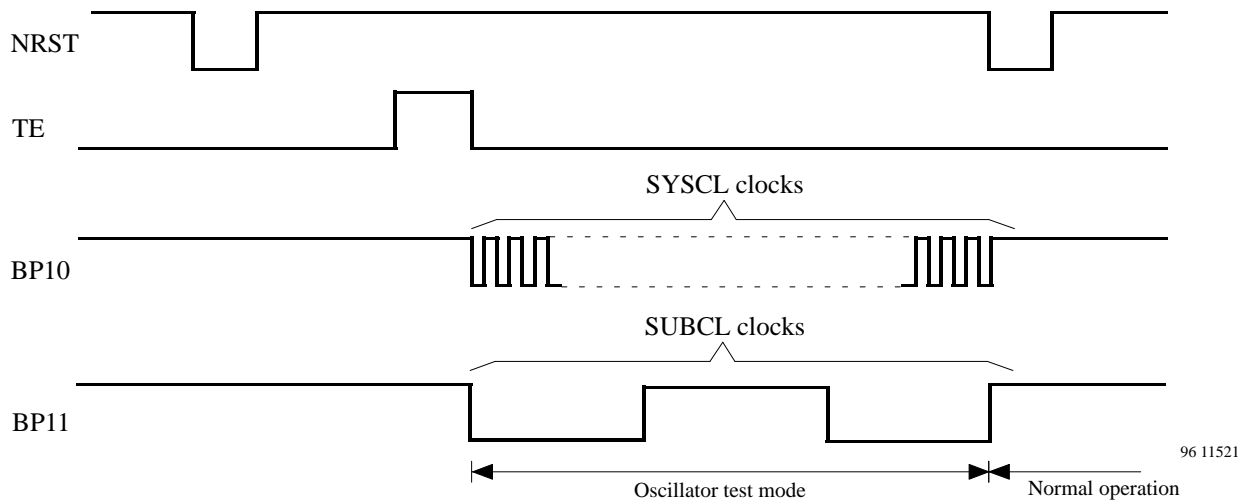


Figure 11. Clock monitoring

For trimming purposes, the M44C510 can be put into a clock monitor mode. The test input (TE) must therefore be pulsed high once, whereupon the SYSCL clock will appear on BP10 (Port 1, bit 0) and SUBCL clock on Port BP11 (Port 1, bit 1). To put BP10 and BP11 back into normal operation, the reset must be reapplied (see figure 11).

1.6 Sleep Mode

The sleep mode is a shutdown condition which is used to reduce the average system power consumption in applications where the μC is not fully utilized. In this mode, the system clock is stopped. The sleep mode is entered with the SLEEP instruction. This instruction sets the condition code register interrupt enable bit (I) to enable all interrupts and stops the core. During the sleep mode, the peripheral modules remain active and are able to generate interrupts. The μC exits the sleep mode with any interrupt or a reset. The sleep mode can only be maintained when no interrupt pending or active register bits are set. The application of the \$AUTOSLEEP routine ensures the correct function of the sleep mode. The total power consumption is directly proportional to the active time of the μC . For a rough estimation of the expected average system current consumption, the following formula should be used:

$$I_{\text{total}}(V_{\text{DD}}, f_{\text{syscl}}) = I_{\text{Sleep}} + (I_{\text{DD}} * T_{\text{active}} / T_{\text{total}})$$

I_{DD} depends on V_{DD} and f_{syscl} . Using a 32-kHz crystal, the SLEEP current (I_{Sleep}) is typically less than $1 \mu\text{A}$. The active time of the core and the total emulation time are displayed in a separate window of the MARC4 emulator software.

2 Peripheral Modules

2.1 Addressing Peripherals

Accessing the peripheral modules takes place via the I/O bus (see figure 12). The IN or OUT instructions allow direct addressing of up to 16 I/O modules. A dual register addressing scheme has been adopted which addresses the “primary register” directly. To address the “auxiliary register”, the access must be switched with an “auxiliary switching module”. Thus, a single IN (or OUT) to the module address will read (or write) into the module primary register. Accessing the auxiliary register is performed with the same instruction preceded by writing the module address into the auxiliary switching module. Byte-wide registers are accessed by multiple IN (or OUT) instructions. Extended addressing is used for more complex peripheral modules, with a larger number of registers. In this case, a bank of up to 16 subport registers are indirectly addressed with the subport address being initially written into the auxiliary register.

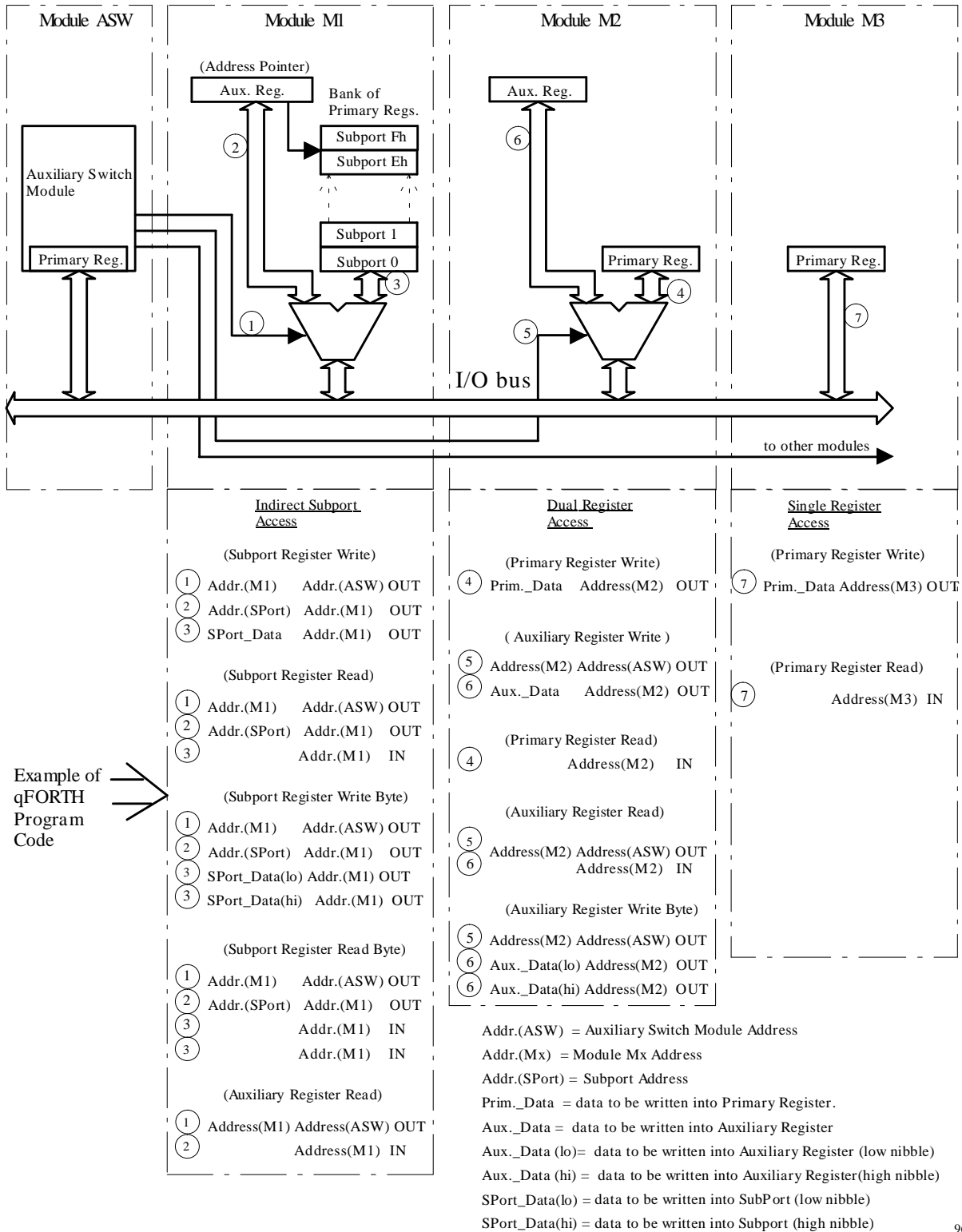


Figure 12. Example of I/O addressing

Table 5. M44C510 Peripheral addresses

Address	Name	Write /Read	Function	
0	P0DAT	W/R	Port 0 – data register/input data	
1	P1DAT	W/R	Port 1 – data register/input data	
2	PAIPR	W	Port A – interrupt priority register	
	Aux. PAICR	W	Port A – interrupt control register	
3	PBIPR	W	Port B – interrupt priority register	
	WDRES	R	Watchdog reset	
	Aux. PBICR	W	Port B – interrupt control register	
4	P4DAT	W/R	Port 4 – data register/pin data	
	Aux. P4DDR	W	Port 4 – data direction register	
5	P5DAT	W/R	Port 5 – data register/pin data	
	Aux. P5DDR	W	Port 5 – data direction register	
6	P6DAT	W/R	Port 6 – data register/pin data	
	Aux. P6CR	W	Port 6 – control register (byte)	
7	P7DAT	W/R	Port 7 – data register/pin data	
	Aux. P7DDR	W	Port 7 – data direction register	
8	ASW	W	Auxiliary switch register	
9	TCM	W/R	Data to/from subport addressed by TCX	
	Aux.	T0SR	R	Timer 0 interrupt status register
		TCX	W	Timer/counter subport address pointer
	Subport address			
	0	T0MO	W	Timer 0 mode register
	1	T0CR	W	Timer 0 control register
	2	T1MO	W	Timer 1 mode register
	3	T1CR	W	Timer 1 control register
	4	TCMO	W	Timer/counter mode register
	5	TCIO	W	Timer/counter I/O control register
	6	TCCR	W	Timer/counter control register
	7	TCIP	W	Timer/counter interrupt priority
	8	T1CP	W	Timer 1 compare register (byte)
		T1CA	R	Timer 1 capture register (byte)
	9	T0CP	W	Timer 0 compare register (byte)
		T0CA	R	Timer 0 capture register (byte)
	A	BZCR	W	Buzzer control register
	B-F			Reserved
	A	PADAT	W/R	Port A – data register/pin data
		Aux. PADDR	W	Port A – data direction register
B	PBDAT	W/R	Port B – data register/pin data	
	Aux. PBDDR	W	Port B – data direction register	
C	PCDAT	W/R	Port C – data register/pin data	
	Aux. PCDDR	W	Port C – data direction register	
D	RBR	W	Rom bank switch register	
E	–	–	Reserved	
F	ITFSR	W	Interval timer frequency select register	
	Aux. ITIPR	W	Interval timer interrupt priority register	

2.2 Bidirectional Ports

With the exception of Port 6 and Port C, all other ports (0, 1, 4, 5, 7, A and B) are 4 bits wide. Port 6 and Port C have a data width of 2 bits (bit 0 and bit 1). All these ports may be used for data input or output. All ports are equipped with Schmitt-trigger inputs and a variety of mask options

for open drain, open source and full complementary outputs and pull-up and pull-down transistors. All Port Data Registers (PxDAT) are I/O mapped to the primary address register of the respective port address, and the Port Data Direction Register (PxDDR) to the corresponding auxiliary register.

Port Data Register (PxDAT)

Primary register address: 'Port address'hex

	Bit 3*	Bit 2	Bit 1	Bit 0	
PxDAT	PxDAT3	PxDAT2	PxDAT1	PxDAT0	Reset value: 1111b

* Bit 3 → MSB, bit 0 → LSB

Port Data Direction Register (PxDDR)

Auxiliary register address: 'Port address'hex

	Bit 3	Bit 2	Bit 1	Bit 0	
PxDDR	PxDDR3	PxDDR2	PxDDR1	PxDDR0	Reset value: 1111b

Value: 1111b means all pins in input mode

Table 6. Port Data Direction Register (PxDDR)

Code 3 2 1 0	Function
x x x 1	BPx0 in input mode
x x x 0	BPx0 in output mode
x x 1 x	BPx1 in input mode
x x 0 x	BPx1 in output mode
x 1 x x	BPx2 in input mode
x 0 x x	BPx2 in output mode
1 x x x	BPx3 in input mode
0 x x x	BPx3 in output mode

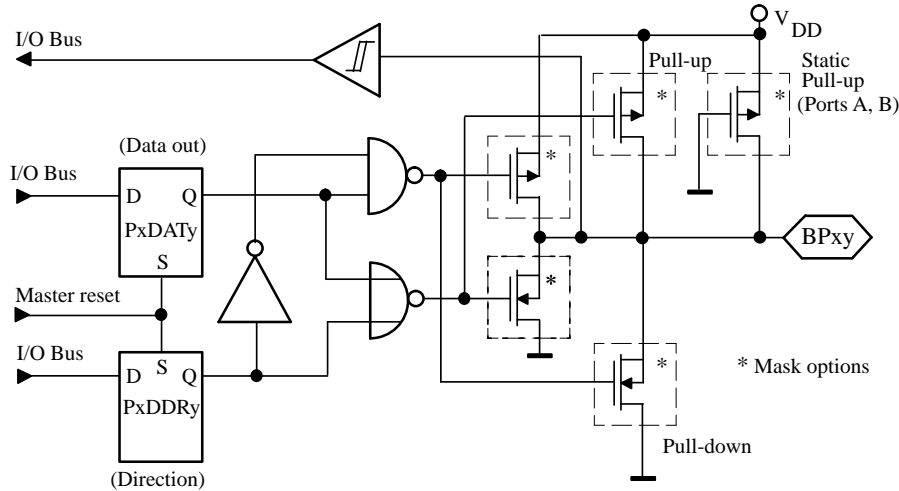
There are five different types of bidirectional ports:

- Type 1 (Ports 0 and 1) – 4-bit wide, bidirectional ports with automatic full bus width direction switching.
- Type 2 (Ports 5 and 7) – 4-bit wide, Port C is a 2-bit wide, bitwise programmable high drive I/O port.
- Type 3 (Ports A and B) – 4-bit wide, bitwise programmable bidirectional ports with optional keyboard pull-ups.
- Type 4 (Port 6) – 2-bit wide, bitwise programmable bidirectional ports with optional bus pullups and programmable interrupt logic.
- Type 5 (Port 4) – 4-bit wide, bitwise programmable bidirectional port also provides the I/O interface to Timer 0 and the Buzzer.

2.2.2 Port 5, Port 7, Port C – Bidirectional Ports Type 2

These, and all other bidirectional ports include a bitwise-programmable Data Direction Register (PxDDR) which allows the individual programming of each port bit as input or output. It also enables the reading of the pin condition in output mode. This is a useful feature for self testing and for serial bus applications.

Both type 2 and type 3 bidirectional ports have the same I/O logic. Type 2, however, has an increased drive capability and type 3, an additional low resistance pull-up as customer mask option.

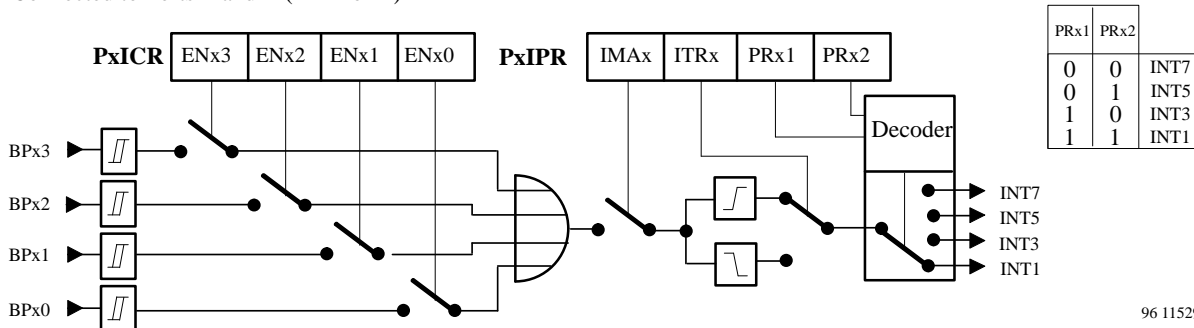


96 11524

Figure 14. Bidirectional Ports 5, 7, A, B and C

2.2.3 Port A, Port B – Bidirectional Ports Type 3 – and Port Monitor Function

Connected to Ports A and B (x = A or B)



96 11529

Figure 15. Port monitor module

In addition to the standard I/O functions described in section 2.2.2, both Port A (BPA3 – BPA0) and Port B (BPB3 – BPB0) are equipped with port monitor modules. This module is connected across all four port pins (see figure 19) and generates an interrupt should a preprogrammed transition occur on any of the selected pins. This allows interrupt driven port scanning without the power consuming task of continuously polling the port inputs.

Using the Port Interrupt Control Register (PxICR), pins can be individually selected. A non-selected pin cannot generate an interrupt. The Port Interrupt Priority Register

(PxIPR) allows masking of each interrupt, definition of the interrupt edge and programming of the interrupt priority levels. Port A can also be used for a mask programmable coded reset. For more information see section 1.4 Hardware Reset.

The Port Interrupt Priority Registers PAIPR and PBIPR are I/O mapped to the the primary address registers of the Port Monitor Module addresses '2'h and '3'h respectively. The Port Interrupt Control Registers PAICR and PBICR are mapped to the corresponding auxiliary registers.

Port Monitor Interrupt Priority Register (PxIPR)

x = 'A' (Port A) or 'B' (Port B)

(Port A) Primary register address: '2'hex

(Port B) Primary register address: '3'hex

	Bit 3	Bit 2	Bit 1	Bit 0	
PxIPR	IMx	ITRx	PRx2	PRx1	Reset value: 1111b

IMx – Interrupt Mask

ITRx – Interrupt Transition

PRx2..1 – Interrupt Priority code

Table 7. Port Monitor Interrupt Priority Register (PxIPR)

Code 3 2 1 0	Function
x x 0 0	Port monitor interrupt priority 7
x x 0 1	Port monitor interrupt priority 5
x x 1 0	Port monitor interrupt priority 3
x x 1 1	Port monitor interrupt priority 1
x 0 x x	Port monitor interrupt on falling edge
x 1 x x	Port monitor interrupt on rising edge
0 x x x	Port monitor interrupt enabled
1 x x x	Port monitor interrupt disabled

Port Monitor Interrupt Control Register (PxICR)

x = 'A' (Port A) or 'B' (Port B)

(Port A) Auxiliary register address: '2'hex

(Port B) Auxiliary register address: '3'hex

	Bit 3	Bit 2	Bit 1	Bit 0	
PxICR	ENx3	ENx2	ENx1	ENx0	Reset value: 1111b

ENx3 ... 0 port monitor input ENable code

Table 8. Port Monitor Interrupt Control Register (PxICR)

Code 3 2 1 0	Function
x x x 0	Bit 0 can generate an interrupt
x x x 1	Bit 0 cannot generate an interrupt
x x 0 x	Bit 1 can generate an interrupt
x x 1 x	Bit 1 cannot generate an interrupt
x 0 x x	Bit 2 can generate an interrupt
x 1 x x	Bit 2 cannot generate an interrupt
0 x x x	Bit 3 can generate an interrupt
1 x x x	Bit 3 cannot generate an interrupt

2.2.4 Port 6 – Bidirectional Port Type 4

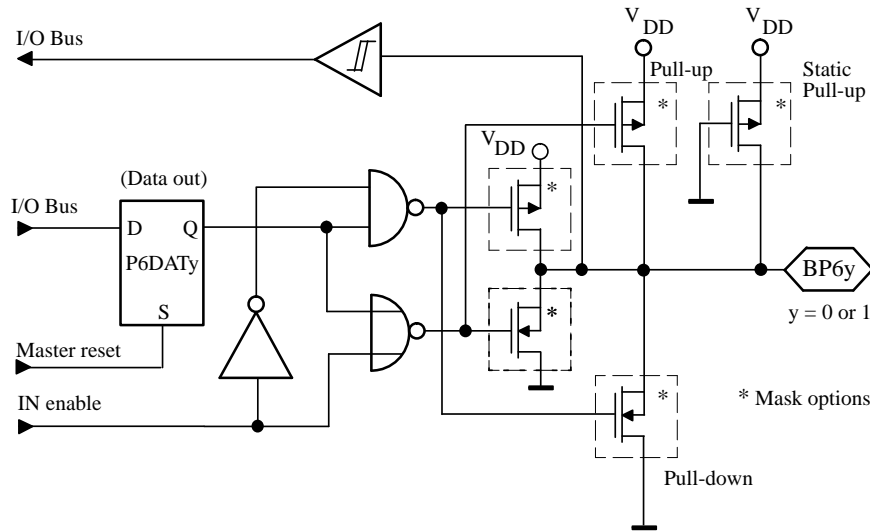


Figure 16. Bidirectional Port 6

This 2-bit bidirectional port can be used as bitwise-programmable I/O. The data is LSB aligned so that the two MSB's will not appear on the port pins when written. The port pins can also be used as external interrupt inputs (see figures 15 and 16). Both interrupts can be masked or independently configured to trigger on either edge. The interrupt priority levels are also configurable. The interrupt configuration and port direction is controlled by the Port 6 Control Register (P6CR). An additional low resistance pull-up transistor (mask option) provides an internal bus pull-up for serial bus applications.

In output mode (PxDDR bit = 0), the respective Port Data Register (PxDAT) bit appears on the port pin, driven by an output port driver stage which can be mask programmed as open drain, or full complementary CMOS. With an IN instruction the actual pin state can be read back into the controller at any time without changing the port directional mode. If the output port is mask configured as an open drain driver, the controller is able to

receive the external data on this pin without switching into input mode as long as the output transistor is switched off.

In input mode (PxDDR bit = 1), the output driver stage is deactivated, so that an IN instruction will directly read the pin state which can be driven from an external source. In this case, the state of the Port Data Register (PxDAT), although not appearing at the pin itself, remains unchanged. High resistance mask selectable pull-up or pull-down transistors are automatically switched onto the port pin in input mode. The Port Data Register is written to the respective port address with an OUT instruction.

The Port 6 Data Register (P6DAT) is I/O mapped to the primary address register of address '6'hex and the Port 6 Control Register (P6CR) to the corresponding auxiliary register. The P6CR is a byte wide register and is written by writing the low nibble first and then the high nibble (see section 2.1 "Addressing peripherals").

Port 6 Data Register (P6DAT)

Primary register address: '6'hex

	Bit 3	Bit 2	Bit 1	Bit 0	
P6DAT	not used	not used	P6DAT1	P6DAT0	Reset value: xx11b

The unused bits 2 and 3 are '0', if read.

Port 6 Control Register (P6CR)

Auxiliary register address: '6'hex

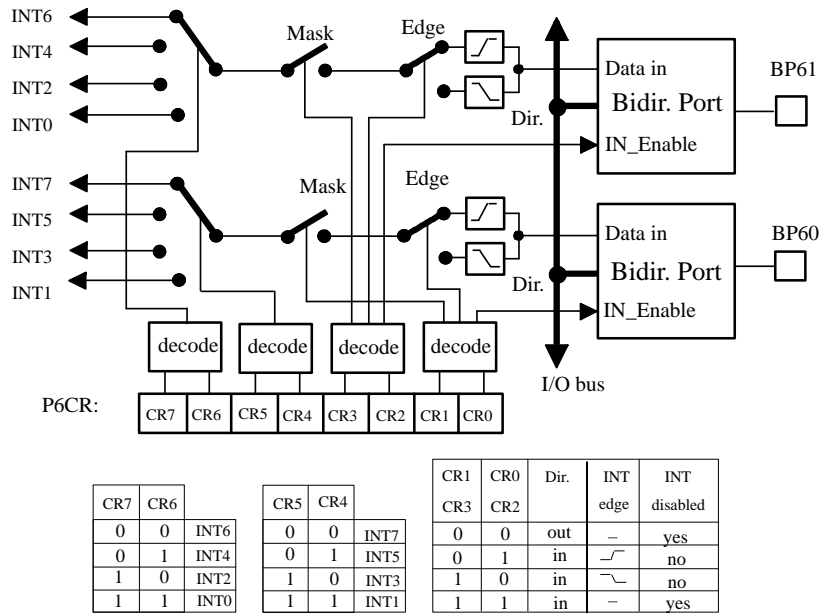
		Bit 3	Bit 2	Bit 1	Bit 0	
P6CR	First write cycle	P61IM2	P61IM1	P60IM2	P60IM1	Reset value: 1111b
		Bit 7	Bit 6	Bit 5	Bit 4	
	Second write cycle	P61PR2	P61PR1	P60PR2	P60PR1	Reset value: 1111b

P6xIM2, P6xIM1 – Port 6x Interrupt mode/direction code

P6xPR2, P6xPR1 – BP6x Interrupt priority code

Table 9. Port 6 control register (P6CR)

Auxiliary Address: '6'hex		First Write Cycle	Second Write Cycle	
Code 3 2 1 0	Function		Code 3 2 1 0	Function
x x 1 1	BP60 in input mode – interrupt disabled		x x 1 1	BP60 set to priority 1
x x 0 1	BP60 in input mode – rising edge interrupt		x x 1 0	BP60 set to priority 3
x x 1 0	BP60 in input mode – falling edge interrupt		x x 0 1	BP60 set to priority 5
x x 0 0	BP60 in output mode – interrupt disabled		x x 0 0	BP60 set to priority 7
1 1 x x	BP61 in input mode – interrupt disabled		1 1 x x	BP61 set to priority 0
0 1 x x	BP61 in input mode – rising edge interrupt		1 0 x x	BP61 set to priority 2
1 0 x x	BP61 in input mode – falling edge interrupt		0 1 x x	BP61 set to priority 4
0 0 x x	BP61 in output mode – interrupt disabled		0 0 x x	BP61 set to priority 6



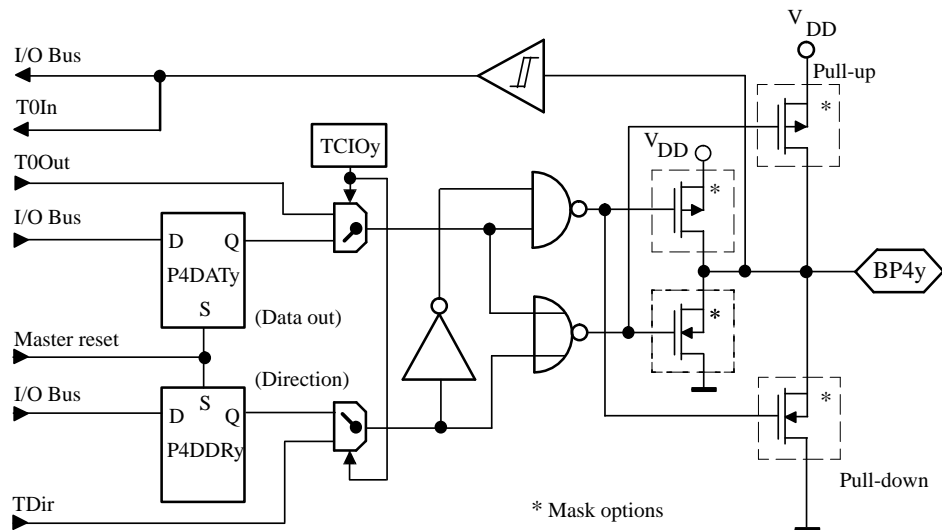
96 11526

Figure 17. Port 6 external interrupts

2.2.5 Port 4 – Bidirectional Port Type 5

The type 5 bidirectional port is both a bitwise configurable I/O port and provides the external pins for both the Timer 0 and the internal buzzer generator. As a normal port, it performs in exactly the same way as bidirectional

port type 2 (see figure 14). Two additional multiplexers allow data and port direction control to be passed over to other internal modules (Timer 0 or Buzzer). Each of the four Port 4 pins can be individually switched by the Timer/Counter I/O Register (TCIO). Figure 17 shows the internal interfaces to Port 4.



96 11527

Figure 18. Bidirectional Port 4

2.2.6 TIM1 – Bidirectional Pin Timer 1

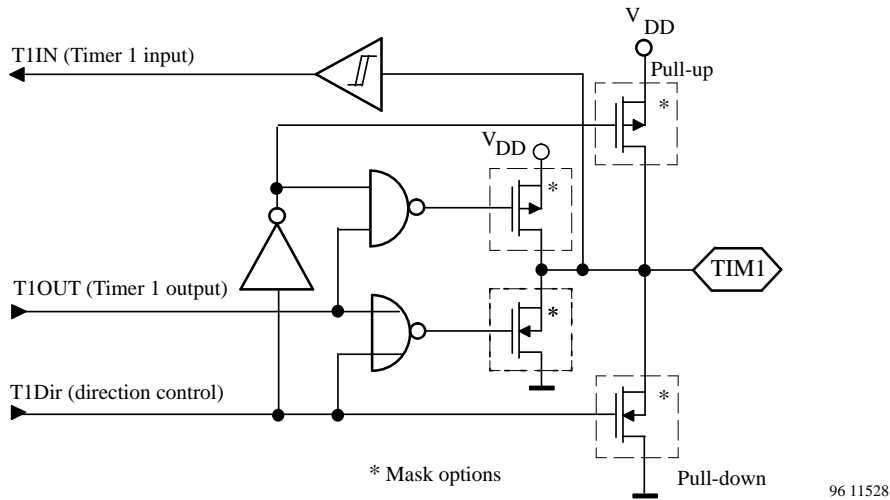


Figure 19. Bidirectional pin TIM1

TIM1 is a dedicated bidirectional I/O stage for signal communication to and from the Timer 1 in the timer/counter module (see figure 18). It has no I/O bus interface and is not directly accessible from the CPU. The direction control is performed from the timer/counter configuration registers.

2.3 Interval Timers / Prescaler

The interval timers are based on a frequency divider for generating two independent time base interrupts. It is driven by SUBCL generated by the clock module (see figure 10) and consists of a 15-stage binary divider and two programmable multiplexers for selecting the appropriate interrupt frequencies for each interrupt source (see figure 20). Each multiplexer is completely independent and is controlled by the common Interval Timer Frequency Select Register (ITFSR). Buffer registers store the respective frequency select codes and ensure complete programming independence of each interrupt channel.

Interrupt masking and programming of the interrupt priority levels is performed with the aid of the Interval Timer Interrupt Priority Register (ITIPR).

Interrupt masking and programming of the interrupt priority levels is performed with the aid of the Interval Timer Interrupt Priority Register (ITIPR).

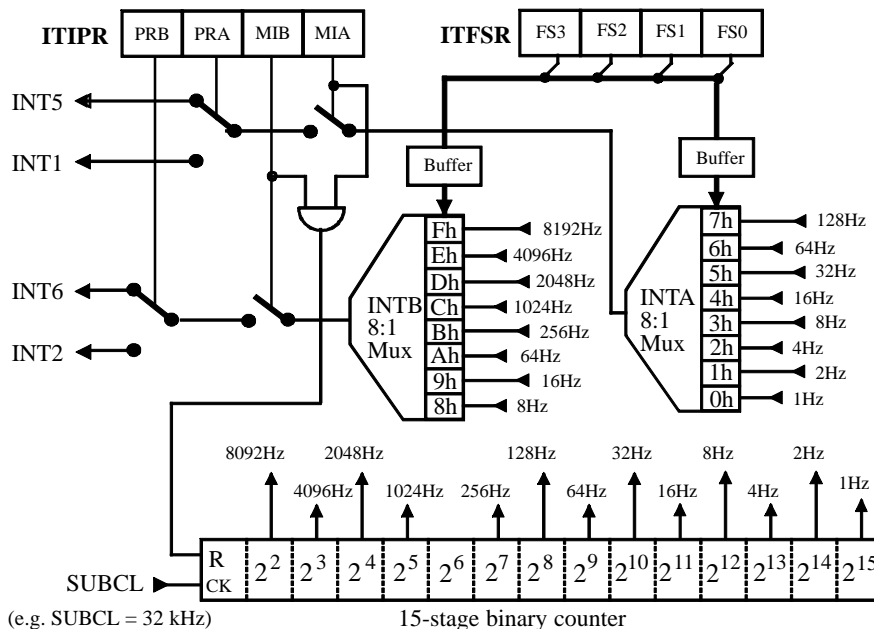


Figure 20. Interval timers / prescaler

2.3.1 Interval Timer Registers

The Interval Timer Frequency Select Register (ITFSR) is I/O mapped to the primary address register of the prescaler/ interval timer address ('F'hex) and the Interval Timer Interrupt Priority Register (ITIPR) to the corre-

sponding auxiliary register. The interrupt masks MIA and MIB enable interrupt masking of INTA and INTB respectively. Each interrupt source can be programmed with PRA and PRB to one of two interrupt priority levels. Disabling both interrupts resets the watch timer.

Interval Timer Interrupt Priority Register (ITIPR)

Auxiliary register address (write only): 'F'hex

	Bit 3	Bit 2	Bit 1	Bit 0	
ITIPR	PRB	PRA	MIB	MIA	Reset value: 1111b

PRB – Priority select Interval Timer Interrupt INTB

PRA – Priority select Interval Timer Interrupt INTA

MIB – Mask Interval Timer Interrupt INTB

MIA – Mask Interval Timer Interrupt INTA

Table 10. Interval Timer Interrupt Priority Register (ITIPR)

Code 3 2 1 0	Function
x x 1 1	Reset prescaler and halt
x x x 1	Interrupt A disabled
x x x 0	Interrupt A enabled
x x 1 x	Interrupt B disabled
x x 0 x	Interrupt B enabled
x 1 x x	Interrupt A => priority 1
x 0 x x	Interrupt A => priority 5
1 x x x	Interrupt B => priority 2
0 x x x	Interrupt B => priority 6

Interval Timer Frequency Select Register (ITFSR)

Primary register address (write only): 'F'hex

	Bit 3	Bit 2	Bit 1	Bit 0	
ITFSR	FS3	FS2	FS1	FS0	Reset value: 1111b

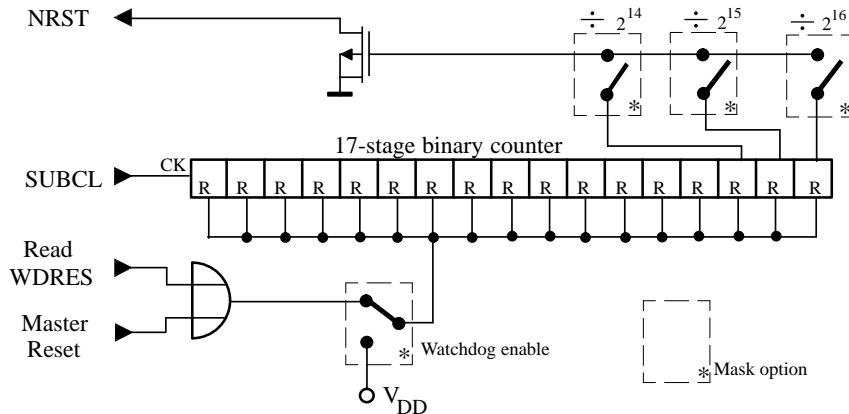
FS3 ... 0 – Frequency select code

Table 11. Interval Timer Frequency Select Register (ITFSR)

Code 3 2 1 0	Function	SUBCL divide by	SUBCL = 32 kHz	Code 3 2 1 0	Function	SUBCL divide by	SUBCL = 32 kHz
0 0 0 0	INTA	2 ¹⁵	Select 1 Hz	1 0 0 0	INTB	2 ¹²	Select 8 Hz
0 0 0 1		2 ¹⁴	Select 2 Hz	1 0 0 1		2 ¹¹	Select 16 Hz
0 0 1 0		2 ¹³	Select 4 Hz	1 0 1 0		2 ⁹	Select 64 Hz
0 0 1 1		2 ¹²	Select 8 Hz	1 0 1 1		2 ⁷	Select 256 Hz
0 1 0 0		2 ¹¹	Select 16 Hz	1 1 0 0		2 ⁵	Select 1024 Hz
0 1 0 1		2 ¹⁰	Select 32 Hz	1 1 0 1		2 ⁴	Select 2048 Hz
0 1 1 0		2 ⁹	Select 64 Hz	1 1 1 0		2 ³	Select 4096 Hz
0 1 1 1		2 ⁸	Select 128 Hz	1 1 1 1		2 ²	Select 8192 Hz

The control bit FS3 determines whether the INTA or the INTB buffer register is loaded with the select code (FS2–FS0). This allows independent programming of interval times for INTA and INTB.

2.4 Watchdog Timer



96 11531

Figure 21. Watchdog timer

The Watchdog timer is a 17-stage binary divider clocked by SUBCL generated within the clock module (see figures 10 and 21). It can only be enabled as a mask option whereby it must be periodically reset from the application program. The program cannot disable the watchdog. If the CPU find itself for an extended length of time in SLEEP mode or in a section of program that includes no watchdog reset, then the watchdog will overflow, thus forcing the NRST pin low. This initiates a master reset. The timeout period can be set to 0.5, 1 or 2 seconds (if SUBCL = 32 kHz) by using a mask option.

To reset the watchdog, the program must perform an IN instruction on the address WDRES ('3'hex). No relevant data is received. The operation is therefore normally followed by a DROP to flush the data from the stack.

2.5 Timer/Counter Module (TCM)

The TCM consists of two timer/counter blocks (Timer 0 and Timer 1) which can be used separately, or together as a single 16-bit counter/timer (see figure 22). Each timer can be supplied by various internal or external clock sources. These can be selected and divided under program control using the Timer/Counter Control Register (TCCR), the Timer 0 Control Register (T0CR) and the

Timer 1 Control Register (T1CR). Capture and compare registers (T0CA, T1CA, T0CP and T1CP) not only allow event counting, but also the generation of various timed output waveforms including programmable frequencies, modulated melody tones, Pulse Width Modulated (PWM) and Pulse Density Modulated (PDM) output signals. When in one of these signal generation modes, the capture register acts as timer shadow register, the current timer state is freezed whenever read by the CPU. The Timer 0 is further equipped for performing a variety of time measurement operations. In this mode the capture register is used together with the gating logic for performing asynchronous, externally triggered snapshot measurements. These measurements include single input pulse width and period measurements and also dual input phase and positional measurement. The mode configuration is set in the Timer 0 and Timer 1 Mode Registers (T0MO and T1MO).

Each timer represents a single maskable interrupt source (T0INT and T1INT), the priority of which can be configured under program control. A Timer 0 interrupt can be caused by any of three conditions (overflow, compare or end-of-measurement). The associated status register (T0SR) differentiates between these. A status register is not necessary in the Timer 1 as an interrupt is caused only on a compare condition.

2.5.1 General Timer/Counter Control Registers

With the exception of the Timer 0 Interrupt Status Register (TOSR), all the timer/counter registers are indirectly addressed using extended addressing as described in the section “Addressing peripherals”. An overview of all register and subport addresses is shown in table 4. The

Timer/Counter auxiliary register (TCX) holds the subport address of the particular register about to be accessed.

Care has to be taken to ensure that this subport access sequence is not interrupted.

Timer/Counter Clock Control Register (TCCR)

Subport address (indirect write access): '6'hex

	Bit 3	Bit 2	Bit 1	Bit 0	
TCCR	T1CL2	T1CL1	T0CL2	T0CL1	Reset value: 1111b

T0CL2, T0CL1 – Timer 0 Clock source select

T1CL2, T1CL1 – Timer 1 Clock source select

Table 12. Timer/Counter Clock Control Register (TCCR)

Timer/Counter Subport Pointer (TCX) Address: '9' hex			
Code 3 2 1 0	Function	Direction (TDir) BP40* TIM1	
x x 0 0	Timer 0 clock = SUBCL	out	x
x x 0 1	Timer 0 clock = SYSCL	out	x
x x 1 0	Timer 0 clock = Timer1 output (T1OUT connected internally)	out	x
x x 1 1	Timer 0 clock = T0IN0 (BP40*)	in	x
0 0 x x	Timer 1 clock = SUBCL	x	out
0 1 x x	Timer 1 clock = SYSCL	x	out
1 0 x x	Timer 1 clock = Timer 0 output (T0OUT0 connected internally)	x	out
1 1 x x	Timer 1 clock = TIM1	x	in

* if TCIO0 = low (connects Timer 0 to Port 4)

The Timer/Counter Clock Control Register (TCCR) controls the clock source to both Timer 0 and Timer 1 prescalers. If an external clock source (on BP40 or TIM1) is selected, then the corresponding port direction is automatically switched to input mode (see figure 23).

Note: The TCIO0 bit must be set low for the BP40 external timer/counter access.

Timer/Counter Interrupt Priority Register (TCIP)

The Timer/Counter Interrupt Priority register (TCIP) is used to configure the Timer 0 and Timer 1 interrupt priority levels.

Subport address (indirect write access): '7'hex

	Bit 3	Bit 2	Bit 1	Bit 0	
TCIP	T1IP2	T1IP1	T0IP2	T0IP1	Reset value: 1111b

T0IP2, T0IP1 – Timer 0 Interrupt Priority code

T1IP2, T1IP1 – Timer 1 Interrupt Priority code

Table 13. Timer/Counter Interrupt Priority Register (TCIP)

Timer/Counter Subport Pointer (TCX) Address: '9'hex	
Code 3 2 1 0	Function
x x 1 1	Timer 0 interrupt priority 1
x x 1 0	Timer 0 interrupt priority 3
x x 0 1	Timer 0 interrupt priority 5
x x 0 0	Timer 0 interrupt priority 7
1 1 x x	Timer 1 interrupt priority 0
1 0 x x	Timer 1 interrupt priority 2
0 1 x x	Timer 1 interrupt priority 4
0 0 x x	Timer 1 interrupt priority 6

Timer/Counter I/O Control Register (TCIOR)

Subport address (indirect write access): '5'hex

	Bit 3	Bit 2	Bit 1	Bit 0	
TCIOR	TCIO3	TCIO2	TCIO1	TCIO0	Reset value: 1111b

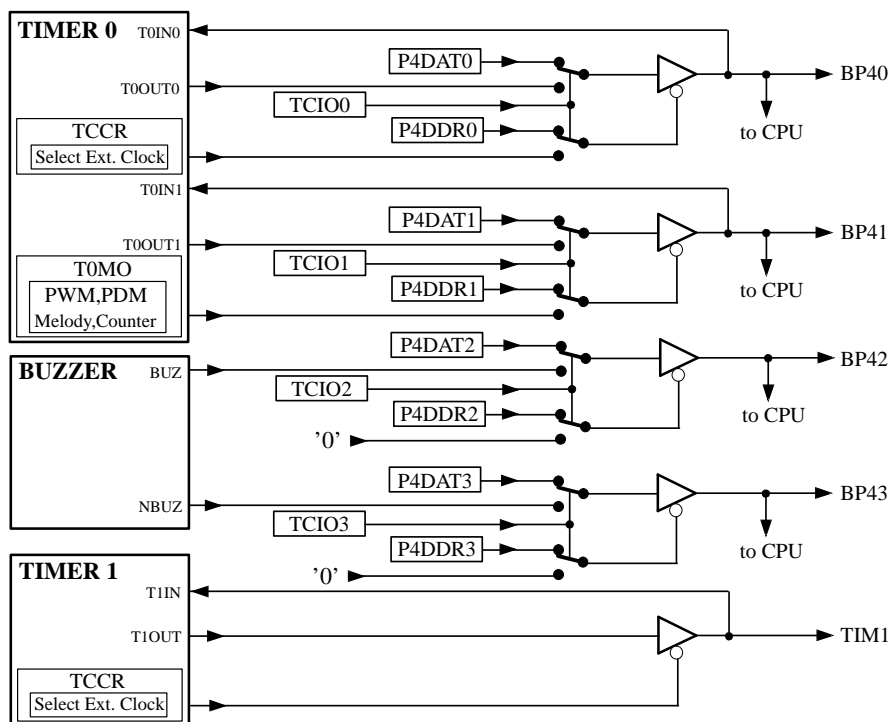
TCIO3...0 – Timer / Counter I/O mode select

Table 14. Timer/Counter I/O Control Register (TCIOR)

Timer/Counter Subport Pointer (TCX) Address: '9'hex	
Code 3 2 1 0	Function
x x x 1	BP40 – standard port mode
x x x 0	BP40 – Timer 0 clock input (T0IN0) or Timer 0 output (T0OUT0)
x x 1 x	BP41 – standard port mode
x x 0 x	BP41 – Timer 0 gate input (T0IN1) or Timer 0 output (T0OUT1)
x 1 x x	BP42 – standard port mode
x 0 x x	BP42 – Buzzer output (BUZ)
1 x x x	BP43 – standard port mode
0 x x x	BP43 – Buzzer output (NBUZ)

By using the Timer/Counter I/O Control Register (TCIOR) the program can configure the respective Port 4 pins as either standard data I/O ports or as external signal ports for the Timer 0 and Buzzer. The Timer 1 uses a dedicated I/O pin TIM1, whose direction is controlled solely by the TCCR (see figure 23). It should be noted that if a

TCIOR bit is set low, then the corresponding port data direction register (P4DDR) bit no longer influences the port direction. In the case of BP40 and BP41, the port direction is then controlled entirely by the timer/counter configuration registers (TCCR,T0MO), while pins BP42 and BP43 become unidirectional buzzer outputs.



96 11533

Figure 23. Timer/counter and buzzer external interface

Timer/Counter Mode Register (TCMO)

Subport address (indirect write access): '4'hex

	Bit 3	Bit 2	Bit 1	Bit 0	
TCMO	T0NINV	TC8	T1RST	T0RST	Reset value: 1111b

T0NINV – Timer 0 output (BP41) appears non-inverted at BP40

TC8 – Timer/Counter in 8-/16-bit mode

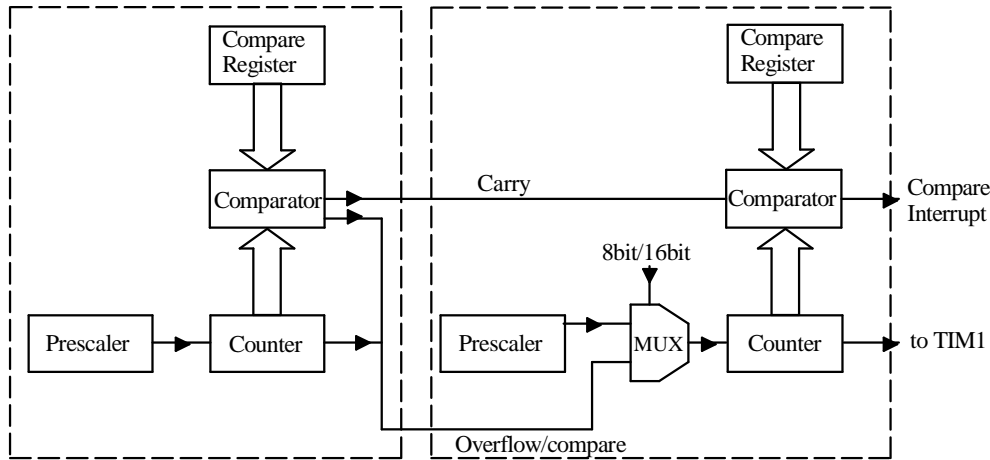
T1RST – Timer 1 Reset/Run

T0RST – Timer 0 Reset/Run

Table 15. Timer/Counter Mode Register (TCMO)

Timer/Counter Subport Pointer (TCX) Address: '9'hex	
Code 3 2 1 0	Function
x x x 0	Timer 0 running
x x x 1	Timer 0 reset and halted
x x 0 x	Timer 1 running
x x 1 x	Timer 1 reset and halted
x 0 x x	Timer/counter in 16-bit mode
x 1 x x	Timer/counter in 8-bit mode
0 x x x	Inverted output BP41 appears on BP40 (BP40 = NOT BP41)
1 x x x	Non-inverted output BP41 appears on BP40 (BP40 = BP41)

2.5.2 Timer/Counter in 16-bit Mode



96 11549

Figure 24. 16-bit mode

In 16-bit mode, Timer 0 and Timer 1 are cascaded thus forming a 16-bit counter (see figure 24) whereby, irrespective of the state of Timer 0 interrupt mask bit (T0IM), the Timer 1 counts both Timer 0 overflow and compares interrupt events. These are generated according to the state of the Timer 0 Mode Register as described in the TOMO table. The comparators are also cascaded so that when both Timer 0 and Timer 1 match their respective compare registers, the Timer 1 generates both an output signal and a compare interrupt (if unmasked).

In measurement modes, only Timer 0 capture register is loaded with Timer 0's contents on an end-of-measurement event. Timer 1 capture register operates solely as a shadow register. There is no 16-bit capture operation, so the user program must check if Timer 1 has incremented between reading the lower and higher byte. Likewise, there is no automatic suppression of spurious interrupts which could conceivably be generated between writing Timer 0 and Timer 1 compare registers.

2.5.3 Timer 0 Modes

The Timer 0 mode configuration is defined in the Timer 0 Mode Register (T0MO). The available modes and the effect on the Timer 0 interrupt and interrupt flags is shown below. In all modes except the position measurement mode, Timer 0 acts as an up-counter, the related clock frequency being defined by the selected clock source and the prescaler division factor. The counter can be reset and halted at any time by the T0RST bit of the TCMO register which also resets all the interrupt status flags and capture registers. Whenever Port 4 BP40 and BP41 pins are required for Timer 0 I/O, then the appropriate TCIOR enable bit must be set low. In this case, the port direction switching is handled automatically by the hardware. In modes where the BP40 is not used as a timer clock input or as a melody envelope output, the BP40 outputs the same signal as that appearing on BP41. With the help of the TONINV bit of the Timer/Counter Mode Register (TCMO), the BP41 output can be inverted so that BP40 and BP41 form a differential output stage which can be used for directly driving piezo buzzers or small stepper motors.

Timer 0 Mode Register (T0MO)

Subport address (indirect write access): '0'hex

	Bit 3	Bit 2	Bit 1	Bit 0	
T0MO	T0MO3	T0MO2	T0MO1	T0MO0	Reset value: 1111b

T0MO3 ... 0 – Timer 0 Mode Code

Table 16. Timer 0 Mode Register (T0MO)

Timer/Counter Subport Pointer (TCX) Address: '9'hex						
Code 3 2 1 0	Function	Assuming TCIOR1=TCIOR0=low		Interrupt set / T0SR affected		
		BP40 (*3)	BP41	cmp	ofl	eom
0 0 0 0	reserved			–	–	–
0 0 0 1	reserved			–	–	–
0 0 1 0	Modulated melody mode	Envelope (out)	Tone (out)	y/y	y/y	n/n
0 0 1 1	Melody mode	Tone (out)	Tone (out)	y/y	y/y	n/n
0 1 0 0	Counter-auto reload (50% duty cycle)	Toggle (out) /Clock (in)	Toggle (out)	y/y	y/y	n/n
0 1 0 1	Counter-free running (50% duty cycle)	Toggle (out) /Clock (in)	Toggle (out)	n/y	y/y	n/n
0 1 1 0	Pulse density modulation	PDM (out) /Clock (in)	PDM (out)	n/y	y/y	n/n
0 1 1 1	Pulse width modulation	PWM (out) /Clock (in)	PWM (out)	n/y	y/y	n/n
1 0 0 0	Phase measurement	Signal 1 (in)	Signal 2 (in)	n/n	y/y	y/y
1 0 0 1	Position measurement	Signal 1 (in)	Signal 2 (in)	(*1)	(*2)	n/n
1 0 1 0	Low pulse width measurement	Clock (in)	Signal (in)	n/y	y/y	y/y
1 0 1 1	High pulse width measurement	Clock (in)	Signal (in)	n/y	y/y	y/y
1 1 0 0	Counter- auto reload (strobe)	Strobe (out) /Clock (in)	Strobe (out)	y/y	y/y	n/y
1 1 0 1	Counter-free running (strobe)	Strobe (out) /Clock (in)	Strobe (out)	n/y	y/y	n/y
1 1 1 0	Period measurement (rising edge)	Clock (in)	Signal (in)	n/y	y/y	y/y
1 1 1 1	Period measurement (falling edge)	Clock (in)	Signal (in)	n/y	y/y	y/y

*1 **Note:** The compare interrupt/status flag can only be set when counting up.

*2 **Note:** The overflow interrupt/status flag is set on both an overflow or an underflow.

*3 **Note:** The BP40 signals can be inverted if TONINV=0 (TCMO register)

Timer 0 Interrupt Status Register (T0SR)

Auxiliary register address (read access): '9'hex

	Bit 3	Bit 2	Bit 1	Bit 0	
T0SR	not used	T0EOM	T0OFL	T0CMP	Reset value: x000b

Note: The status register is reset automatically when read and also when Timer 0 is reset.

T0EOM– Timer 0 End Of Measurement status flag

T0OFL – Timer 0 OverFLow status flag

T0CMP – Timer 0 CoMPare status flag

Table 17. Timer 0 Interrupt Status Register (TOSR)

Code 3 2 1 0	Function
x x x 1	Timer 0 compare has occurred (Timer 0 = T0CP)
x x 1 x	Timer 0 overflow or underflow has occurred
x 1 x x	Timer 0 measurement completed

The interrupt flags will be set whenever the associated condition occurs irrespective of whether the corresponding interrupt is triggered. Therefore, the status flags are still set if the interrupt condition occurs when the interrupt is masked. To see exactly when the flags are set, see TOMO control code table 16, page 31.

Reading from the timer/counter auxiliary register will access the Timer 0 Interrupt Status Register (TOSR).

Timer 0 Control Register (T0CR)

The T0CR is responsible for the predivision of the selected Timer 0 input clock (see TCCR). It can be divided or used directly as clock for the up/down counter. Bit 0 is the mask bit for the Timer 0 interrupt.

Subport address (indirect write access): '1'hex

	Bit 3	Bit 2	Bit 1	Bit 0	
T0CR	T0FS3	T0FS2	T0FS1	T0IM	Reset value: 1111b

T0FS3 ... 1 – Timer 0 prescaler division factor code

T0IM – Timer 0 Interrupt Mask

Table 18. Timer 0 Control Register (T0CR)

Timer/Counter Subport Pointer (TCX) Address: '9'hex	
Code 3 2 1 0	Function
x x x 1	Timer 0 interrupt disabled
x x x 0	Timer 0 interrupt enabled
0 0 0 x	Timer 0 prescaler divide by 256
0 0 1 x	Timer 0 prescaler divide by 128
0 1 0 x	Timer 0 prescaler divide by 64
0 1 1 x	Timer 0 prescaler divide by 32
1 0 0 x	Timer 0 prescaler divide by 16
1 0 1 x	Timer 0 prescaler divide by 8
1 1 0 x	Timer 0 prescaler divide by 4 *
1 1 1 x	Timer 0 prescaler bypassed

*) Note: Emulation devices marked with C510 – 00x, with x = 4 ... 9, use a prescaler divide by 2.

Timer 0 Compare Register (T0CP) – Byte Write

Subport address (indirect write access): '9'hex

T0CP	First write cycle	Bit 3	Bit 2	Bit 1	Bit 0	Reset value: xxxxb
		T0CP3	T0CP2	T0CP1	T0CP0	
	Second write cycle	Bit 7	Bit 6	Bit 5	Bit 4	Reset value: xxxxb
		T0CP7	T0CP6	T0CP5	T0CP4	

T0CP3 ... T0CP0 – Timer 0 Compare Register Data (low nibble) – first write cycle

T0CP7 ... T0CP4 – Timer 0 Compare Register Data (high nibble) – second write cycle

The compare register T0CP is 8-bit wide and must be accessed as byte wide subport (see section "Addressing Peripherals"). First of all, the data is written low nibble and is then followed by the high nibble. Any timer interrupts are automatically suppressed until the complete compare value has been transferred.

Timer 0 Capture Register (T0CA) – Byte Read

Subport address (indirect read access): '9'hex

T0CA	First read cycle	Bit 7	Bit 6	Bit 5	Bit 4	Reset value: 0000b
		T0CA7	T0CA6	T0CA5	T0CA4	
	Second read cycle	Bit 3	Bit 2	Bit 1	Bit 0	Reset value: 0000b
		T0CA3	T0CA2	T0CA1	T0CA0	

T0CA7. ... T0CA4 – Timer 0 Capture Register Data (high nibble) – first read cycle

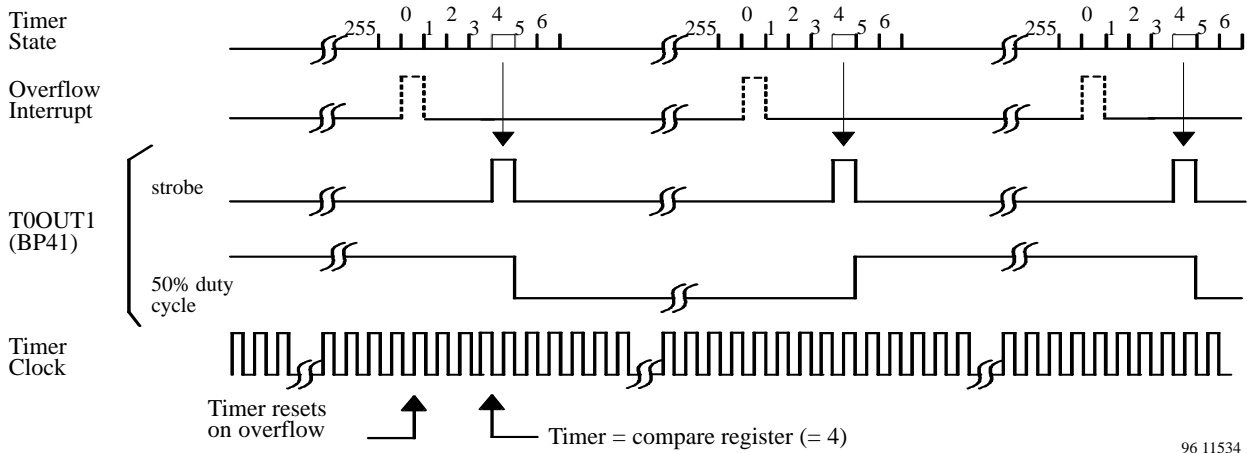
T0CA3 ... T0CA0 – Timer 0 Capture Register Data (low nibble) – second read cycle

Note: If the timer is read (in PDM mode only) the bit order will appear reversed, so that T0CA0 =MSB, T0CA1=MSB-1 T0CA6=LSB+1, T0CA7 = LSB.

The 8-bit capture register T0CA is read as byte wide subport. Note, however, unlike the writing to the compare register, the high nibble is read first followed by the low nibble. The 8-bit timer state is captured on reading the first nibble and held until the complete byte has been read. During this transfer, the timer is free to continue counting.

Timer 0 Free Running Counter Modes (Strobe and 50% Duty Cycle)

In the free running counter mode, Timer 0 can be used as an event counter for summing external event pulses on BP40, or as a timer with an internal time-based clock. When enabled, the counter will count up generating an output signal on BP41 whenever the counter contents match the compare register (see figure 25). This signal can appear either as a strobe pulse or as a simple toggling of the output state (50% duty cycle) depending on the timer mode. Interrupts (if not masked) are generated every 256 clocks on the overflow condition. The current counter state can be read at any time by reading the capture register. The compare register has no effect on the counter cycle time and will not influence interrupts.



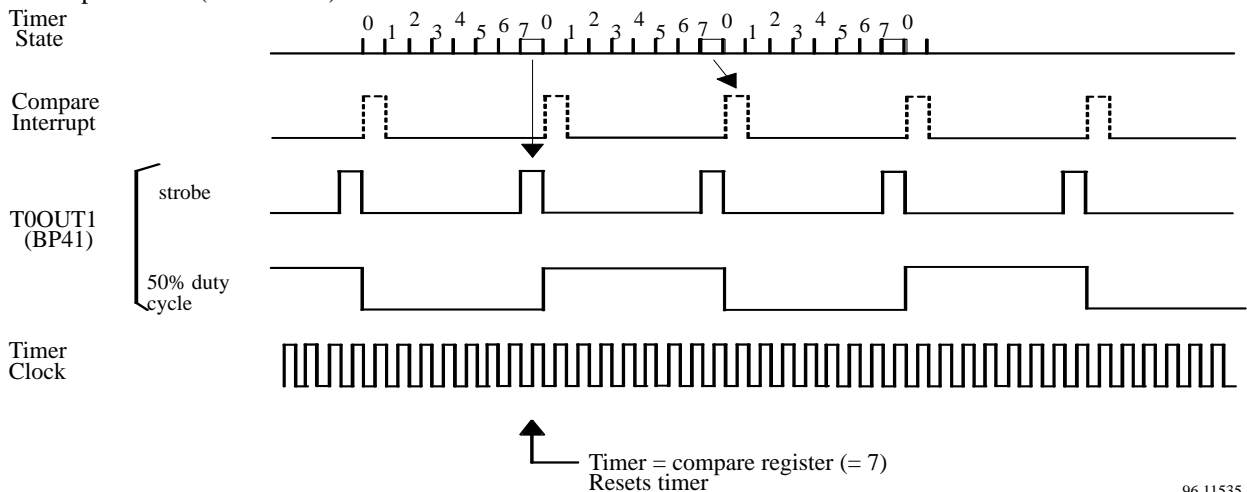
96 11534

Figure 25. Timer 0 free running counter mode

Timer 0 Counter Reload Modes (Strobe and 50% Duty Cycle)

As in the free running mode, the counter can also be clocked from either an external signal on BP40 or from an internal clock source. In this mode, the counter repetition period is completely defined by the contents of the compare register (T0CP) (see figure 26). The counter counts up with the selected clock frequency. When it reaches the value held in the compare register, the counter then returns to the zero state. At the same time, depending on the selected timer mode, the BP41 either toggles or generates a strobe pulse. If the Timer 0 interrupt is unmasked, a compare interrupt is also generated.

The resultant output frequency $f_{OUT} = f_{IN}/2*(n+1)$ where $n = \text{compare value } (n = 1 - 255)$.

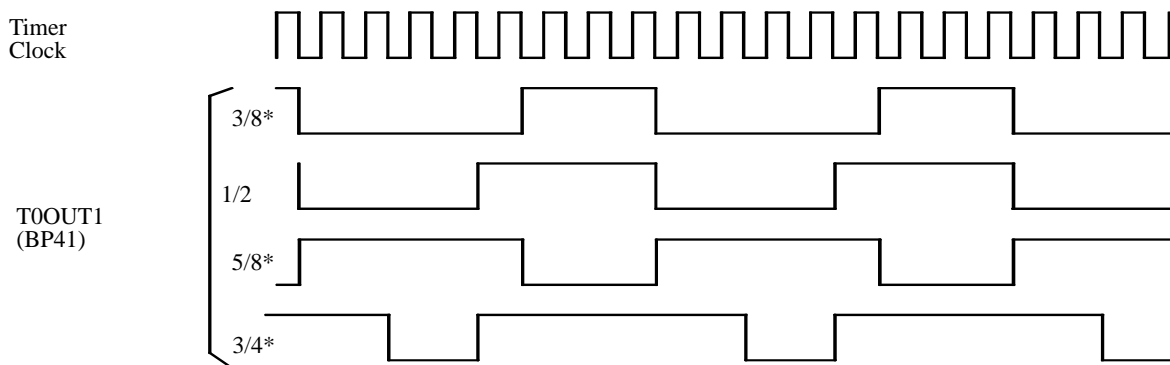


96 11535

Figure 26. Timer 0 counter reload mode

Motor Chopping and Mask Options

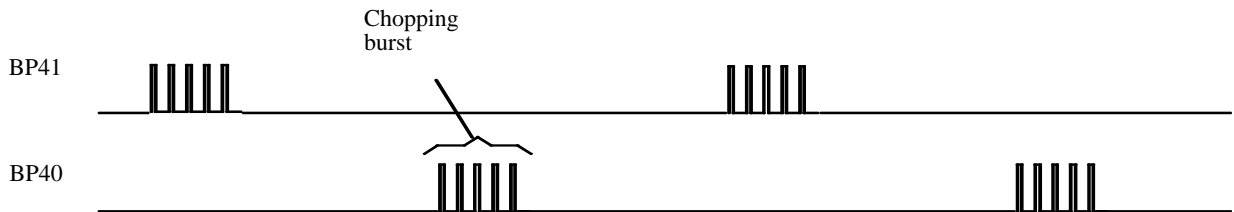
In the counter auto reload mode (50% duty cycle), mask options are available for generating a 1 kHz or 2 kHz frequency with duty cycles of 1/2, 3/8, 5/8 and 3/4. The resultant waveform is used as the chopping frequency for so called “motor chopping”. This technique allows the use of low cost, low voltage clock motors in applications where only higher supply voltages are available. The resultant voltage waveforms are shown in figure 27. To obtain the required motor driver waveforms on BP40 and BP41 as shown in figure 28, the user program must modulate the Timer 0 chopping frequency. This is performed by preloading Port 4 data latches (P4DAT0 and P4DAT1) with '0' which sets the normal Port 4 direction register bits to output mode (P4DDR0 = P4DDR1 = '0') and switches the TCIO0 and TCIO1 register bits alternately to '0' on every chopping burst. The timer chopping signals are thus transferred to the port outputs. In the intermediate periods between bursts both TCIO0 and TCIO1 are set to '1' and the preloaded Port 4 data latch outputs appear on the port outputs.



* = Mask Option
 Timer 0 configuration reload mode, 50% duty cycle,
 Comparator value = '3'hex (1 kHz) or '7'hex (2 kHz)
 Timer clock = 32 kHz (prescaler bypassed)

96 11536

Figure 27. Motor chopping waveforms

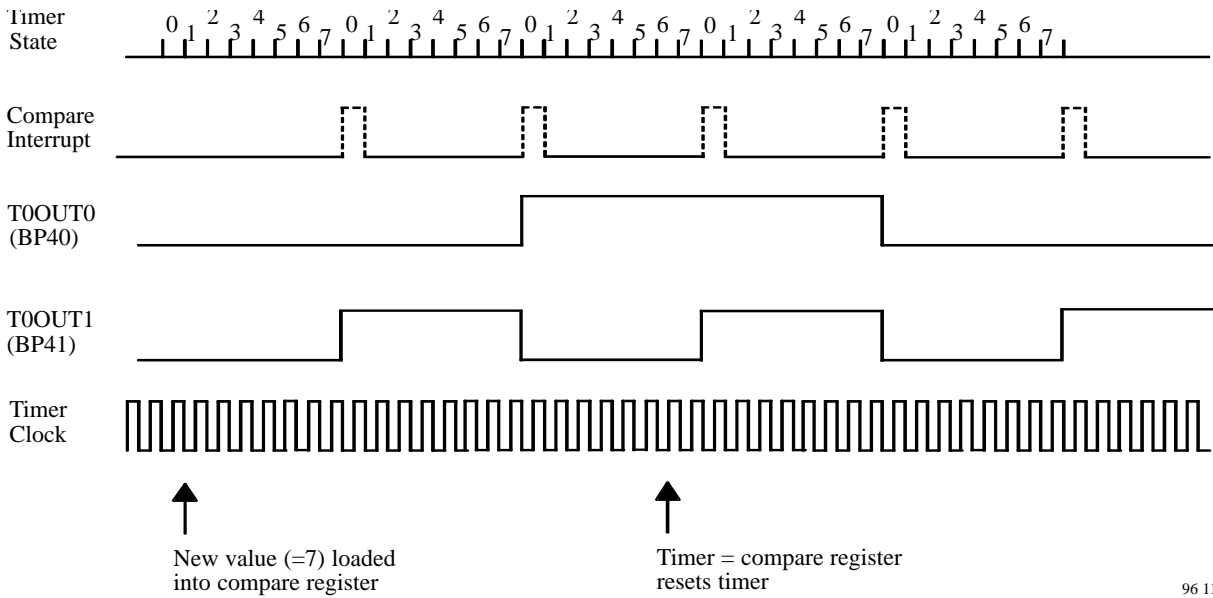


96 11537

Figure 28. Motor driver output waveforms

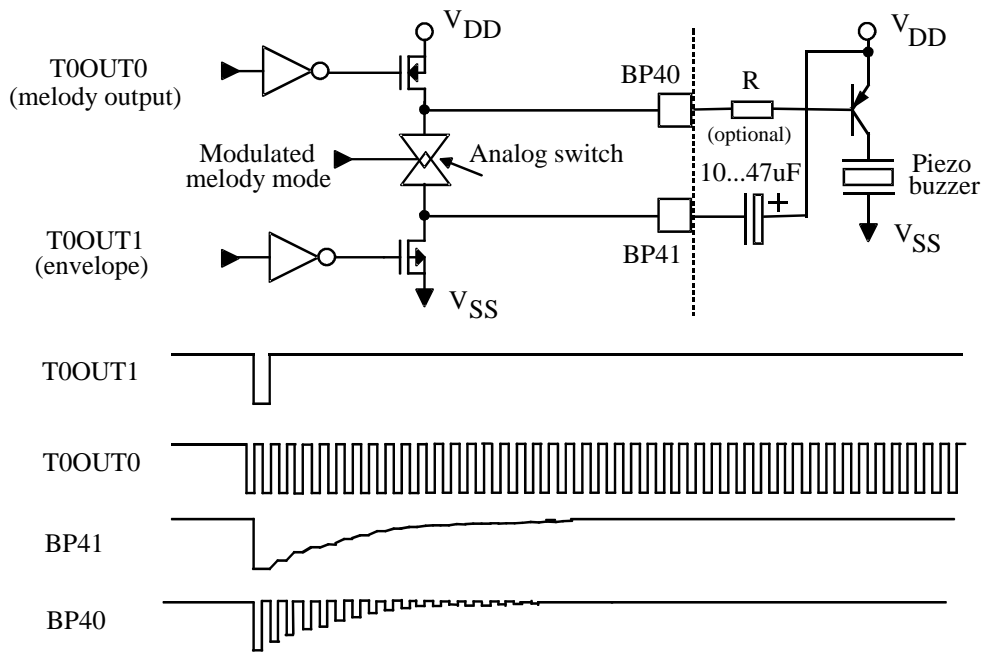
Melody Mode (with/without Modulation)

The non-modulated melody mode is identical to the auto-reload counter (50% duty cycle) mode. The melody tone frequency appearing on BP41 and/or BP40 is determined in exactly the same way as the value written into the comparator register. In the modulated melody mode, the M44C510 generates two output signals, a melody tone and an envelope pulse (see figure 29). The tone frequency output on BP41 is generated in exactly the same way as in the simple melody mode. While the envelope pulse on BP40 is a single pulse, of a clock period in duration which appears shortly after loading the compare value into the compare register. In this mode, an analog switch is activated between the BP40 and BP41 outputs (see figure 30). With the external capacitor connected, the resultant signal on BP41 exhibits a melody chime effect with an exponential decay.



96 11538

Figure 29. Modulated melody mode



96 11539

Figure 30. Modulated melody output circuit

Timer 0 Pulse Width Modulation Mode

A pulse width modulated (PWM) signal exhibits a fixed repetition frequency and a variable mark space ratio. It is often used as a simple method for D/A conversion, where the high period is proportional to the digital value to be converted. Therefore by connecting a simple low-pass RC network to the PWM signal, the DC analog value can be gained.

Timer 0 generates the PWM signal by comparing the state of the free running up counter with the contents of the compare register (see figure 31). If the result is less than the compare register value, then the BP41 output is high. If the result is greater or equal to the compare register value, then the BP41 output is set low. Thus, the high phase of the PWM signal is directly proportional to the compare register contents. A total of 256 possible discrete mark space ratios can be generated ranging from a continuous low signal over a variable pulse width signal to a continuous high signal. The PWM signal has a repetition period of 256 clock periods, an interrupt (if unmasked) being generated on every overflow event. Care should be taken if the SYSCLOCK is used as the PWM clock source because it may stop if the CPU goes into SLEEP mode (see mask options).

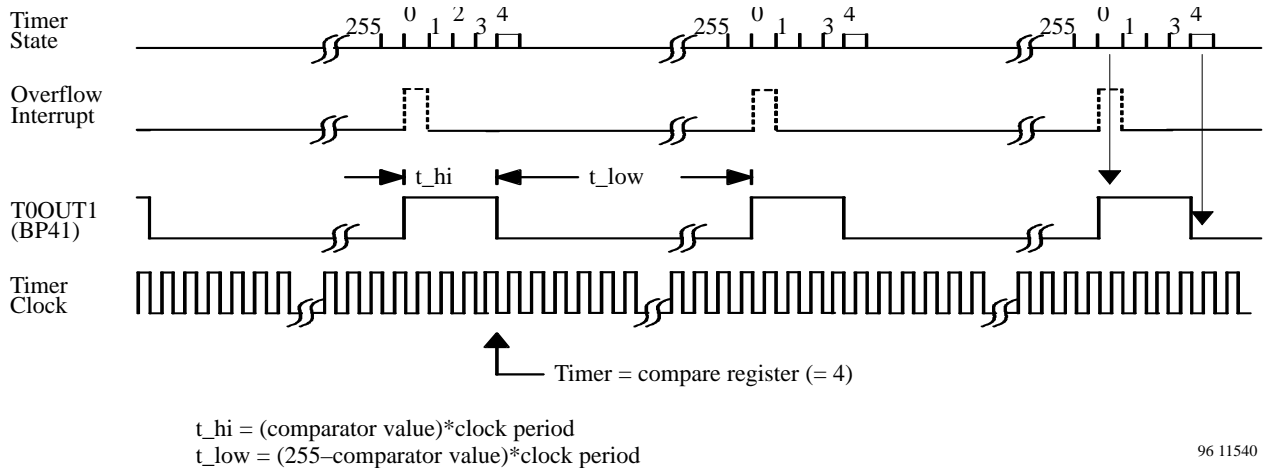


Figure 31. Timer 0 pulse width modulation

Pulse Density Modulation Mode

Pulse density modulation (PDM) is also used for simple D/A conversion. Unlike the PWM signal, where the high and low signal phases are always continuous during a single repetition cycle, the PDM distributes these evenly as a series of pulses (see figure 32). This has the advantage that, if used together with an RC smoothing filter for D/A conversion, either the ripple is less than the PWM, or, for a corresponding ripple error, the filter components can be smaller or the clock frequency lower. To generate the PDM output on BP41, the pulse density is controlled by the contents of the compare register in the same way as the PWM generation. Each of the pulses has a width equal to the counter clock period.

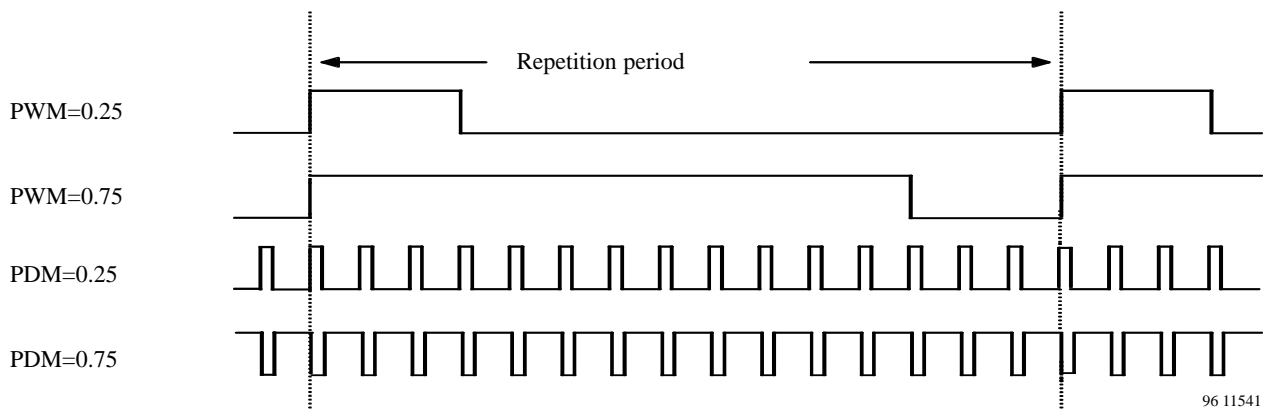


Figure 32. An example 4-bit PWM/PDM comparison

Period Measurement Modes (Rising and Falling Edge)

During the period measurement mode, the counter counts the number of either internal or external clocks in one period of the BP41 input signal (see figure 33). Dependent on the mode chosen, this will be from rising edge to the next rising edge or conversely, falling edge to the following falling edge. On the trigger edge, the counter state is loaded into the capture register and subsequently reset. The measured value remains in the capture register until overwritten by the following measured value. Interrupts can be generated by either an overflow condition or an end-of-measurement (eom) event. An 'eom' event signals the CPU that a new measured value is present in the capture register and can be read, if required.

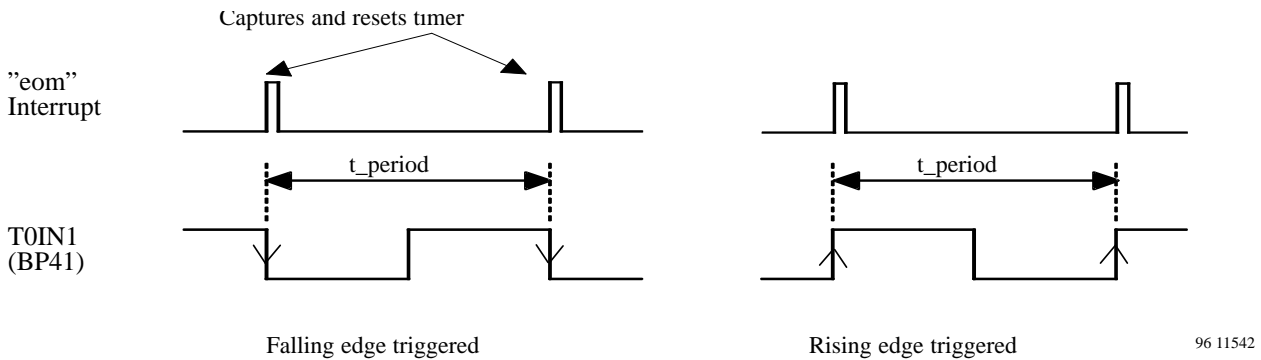


Figure 33. Period measurement

Pulse Width Measurement Modes (High and Low)

In this mode, the selected clock source is gated to the counter for the duration of each input pulse received on BP41 (see figure 34). Whether the measurement takes place during the high or low phase depends on the selected mode. At the end of each pulse, the counter state is loaded into the capture register and subsequently reset. Interrupts can be generated by either an overflow condition or an end-of-measurement (eom) event. An 'eom' event signals the CPU that a new measured value is present in the capture register can be read, if required.

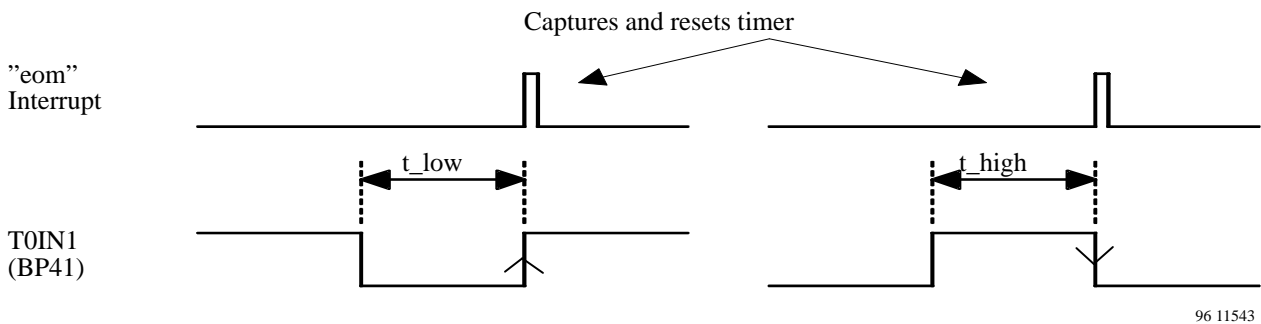


Figure 34. Pulse width measurement

Phase Measurement Mode

This mode allows the Timer 0 to measure the phase misalignment between two 1:1 mark space ratio input signals connected to the BP40 and BP41 pins (see figure 35). The counter clock is gated with the phase misalignment period (tp), during which time the counter increments with the selected clock frequency. This misalignment period is defined as the period during which BP40 is high and BP41 is low. Capturing and resetting of the counter always takes place on the rising edge of BP41. The measured value remains in the capture register until overwritten by the next measurement. Interrupts can be generated by either an overflow condition or an end-of-measurement ('eom') event. An 'eom' event signals the CPU that a new measured value is present in the capture register and can be read, if required.

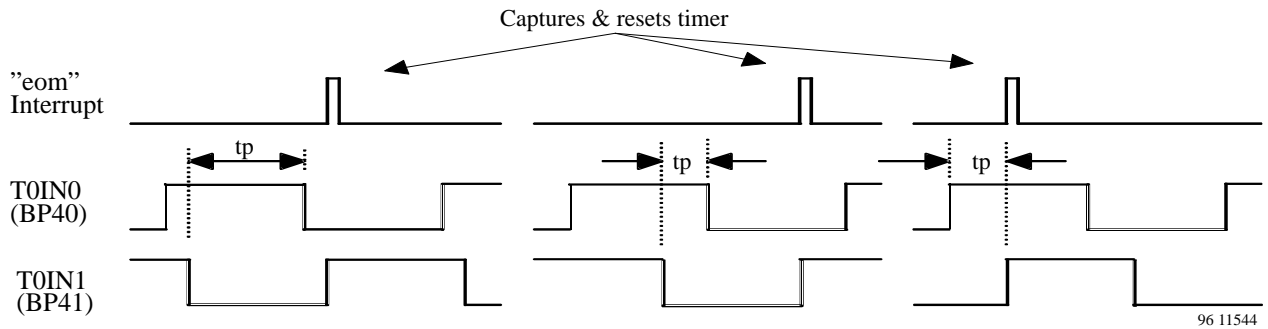


Figure 35. Phase measurement

Position Measurement Mode

This mode is intended for the evaluation of positional sensors with biphasic output signals. Figure 36 illustrates a typical positional sensor system which delivers both incremental positional stepping signals and also directional information. The direction can be deduced from the relative phase of the two signals. Therefore if BP40 is high on the rising edge of BP41, the moving mask travels to the left and if it is low then it travels to the right. The direction (left/right) information is used to set the direction of the up/down counter which enables the BP40 pulses to be counted. Assuming that the system has been reset on a reference position, the counter will always hold the absolute current position of the moving mask. This can be read by the CPU if necessary. This mode is the only one in which the counter is allowed to decrement. Therefore, in this case it is possible for both an underflow or an overflow to occur. The overflow interrupt (if unmasked) will trigger on either of these conditions while the compare interrupt on the other hand will only trigger if the counter is counting upwards. To differentiate between an overflow or underflow, the compare value can be set to '0' hex, for example. An overflow would then set both the overflow and compare status flags while an underflow sets the overflow status flag only.

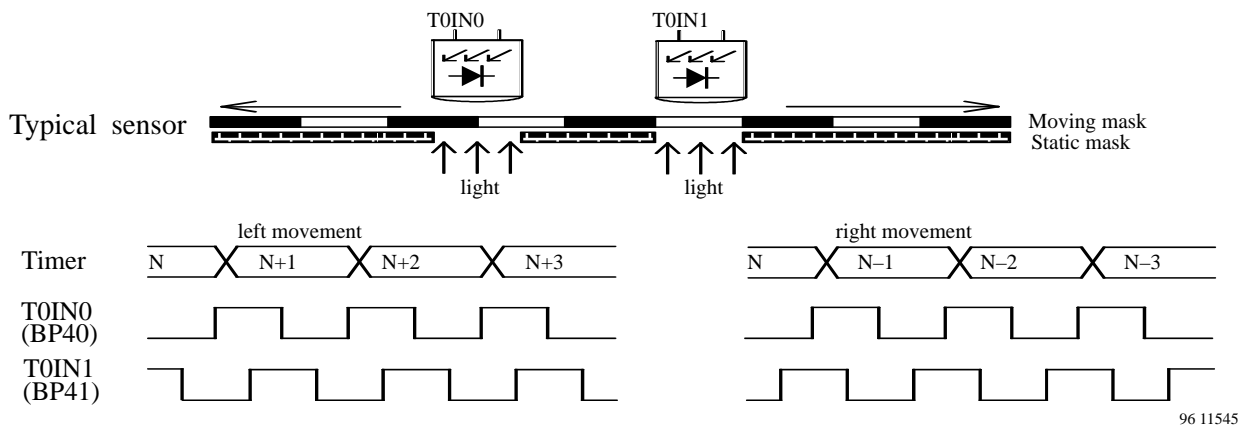


Figure 36. Position measurement mode

2.5.4 Timer 1 Modes

The Timer 1 is aimed at performing event counting and timing functions (see figure 22). It has, unlike the Timer 0, no gated clock or externally triggered capture modes. The counter counts up with an internal or external clock, depending on the state of the Timer 1 Control Register (T1CR) and the Timer/Counter Clock Control Register (TCCR) and generates a compare interrupt whenever the counter matches the Timer 1 compare regis-

ter. This is the only Timer 1 interrupt source. Masking can be performed using the mask bit in the Timer 1 Control Register (T1CR) and priority can be defined in the Timer/Counter Interrupt Priority Register (TCIP). The TIM1 pin is used by the Timer 1 either as clock/event input or timer output. I/O control of the Timer 1 pin TIM1 is controlled entirely by the hardware, therefore if the TIM1 is selected as an external clock or event source (in the TCCR), there can be no Timer 1 signal output. In this case, the timer would be used solely to generate interrupts.

Timer 1 Mode Register (T1MO)

Subport address (indirect write address): '2'hex

	Bit 3	Bit 2	Bit 1	Bit 0	
T1MO	T1MO3	T1MO2	T1MO1	T1MO0	Reset value: 1111b

T1MO3 ... 0 – Timer 1 Mode Control

Table 19. Timer 1 Mode Register (T1MO)

Timer/Counter Subport Pointer (TCX) Address: '9'hex		
Code 3 2 1 0	Function	Compare Interrupt
1 x 0 0	Counter free running (50% duty cycle)	yes
1 x 0 1	Counter auto reload (50% duty cycle)	yes
1 x 1 0	Pulse width modulation	yes
1 x 1 1	Counter auto-reload (strobe output)	yes
x 0 x x	Increment on falling edge of clock	–
x 1 x x	Increment on rising edge of clock	–
0 x x x	reserved	–

Timer 1 Control Register (T1CR)

The T1CR is responsible for the predivision of the selected Timer 1 input clock (see TCCR). It can be divided or used directly as clock for the up counter. Bit 0 is the mask bit for the Timer 1 interrupt.

Subport address (indirect write access): '3'hex

	Bit 3	Bit 2	Bit 1	Bit 0	
T1CR	T1FS3	T1FS2	T1FS1	T1IM	Reset value: 1111b

T1FS3 ... 1 – Timer 1 Prescaler Division Factor Code

T1IM – Timer 1 Interrupt Mask

Table 20. Timer 1 Control Register (T1CR)

Timer/Counter Subport Pointer (TCX) Address: '9'hex	
Code 3 2 1 0	Function
x x x 1	Timer 1 interrupt disabled
x x x 0	Timer 1 interrupt enabled
0 0 0 x	Timer 1 prescaler divide by 256
0 0 1 x	Timer 1 prescaler divide by 128
0 1 0 x	Timer 1 prescaler divide by 64
0 1 1 x	Timer 1 prescaler divide by 32
1 0 0 x	Timer 1 prescaler divide by 16
1 0 1 x	Timer 1 prescaler divide by 8
1 1 0 x	Timer 1 prescaler divide by 4
1 1 1 x	Timer 1 prescaler bypassed

Timer 1 Compare Register (T1CP) – Byte Write

Subport address (indirect write access): '8'hex

T1CP	First write cycle	Bit 3	Bit 2	Bit 1	Bit 0	Reset value: xxxxb
		T1CP3	T1CP2	T1CP1	T1CP0	
	Second write cycle	Bit 7	Bit 6	Bit 5	Bit 4	Reset value: xxxxb
		T1CP7	T1CP6	T1CP5	T1CP4	

T1CP3 ... T1CP0 – Timer 1 Compare Register Data (low nibble) – first write cycle

T1CP7 .. T1CP4 – Timer 1 Compare Register Data (high nibble) – second write cycle

The compare register T1CP is 8 bits wide and must be accessed as byte wide subport (see section “Addressing Peripherals”). The data is written low nibble first, followed by high nibble. Any timer interrupts are automatically suppressed until the complete compare value has been transferred.

Timer 1 Capture Register (T1CA) – Byte Read

Subport address (indirect read access): '8'hex

T1CA	First read cycle	Bit 7	Bit 6	Bit 5	Bit 4	Reset value: 0000b
		T1CA7	T1CA6	T1CA5	T1CA4	
	Second read cycle	Bit 3	Bit 2	Bit 1	Bit 0	Reset value: 0000b
		T1CA3	T1CA2	T1CA1	T1CA0	

T1CA7 ... T1CA4 – Timer 1 Capture Register Data (high nibble) – first read cycle

T1CA3 ... T1CA0 – Timer 1 Capture Register Data (low nibble) – second read cycle

The 8-bit capture register T1CA is read as byte-wide subport. Note, however, unlike the writing to the compare register, the high nibble is read first followed by low nibble. The 8-bit timer state is captured on reading the first nibble and held until the complete byte has been read. During this transfer, the timer is free to continue counting.

Timer 1 Counter Free Running (50% Duty Cycle)

In the free running counter mode, the counter counts up with either an internal or external clock and cycles through all 256 timer states. On the clock following a match between the compare register (T1CR) and the counter, a compare interrupt (if unmasked) is generated and the TIM1 pin is toggled (see figure 37).

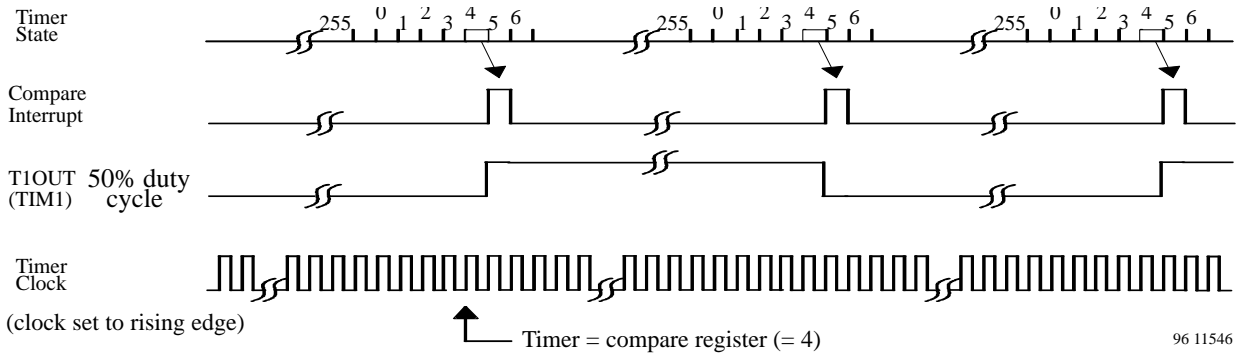


Figure 37. Timer 1 counter free running (50% duty cycle)

Timer 1 Counter Auto Reload (Strobe and 50% Duty Cycle)

In the auto-reload mode, the counter counts up with either an internal or external clock. On the clock cycle following a match between the compare register (T1CR) and the counter, a compare interrupt (if unmasked) is generated. The TIM1 output is either strobed or toggled and the counter reset (see figure 38). Therefore, the counter cycle period is defined by the contents of the compare register. In 50% duty cycle mode the frequency of TIM1 is:

$$f_{TIM1} = f_{in}/2(n+1) \quad \text{where the compare value } (n) = 1 \dots 255.$$

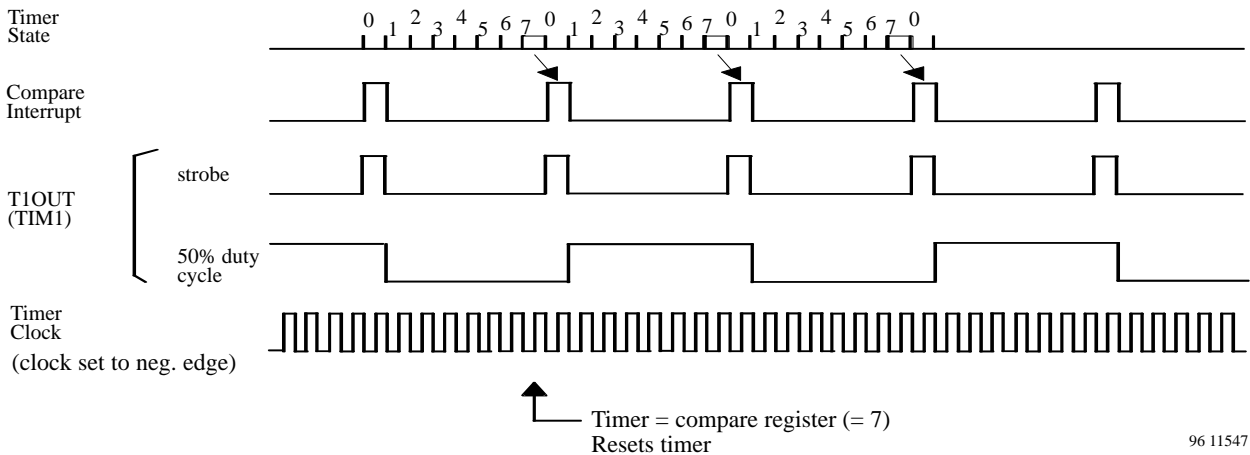


Figure 38. Timer 1 counter auto reload

Timer 1 Pulse Width Modulation

The Timer 1 generates the PWM signal by comparing the state of the free running up counter with the contents of the compare register (see figure 39). If the result is less or equal to the compare register value, then the TIM1 output is high. If the result is greater than the compare register value, then the TIM1 output is set low. Thus, the high phase of the PWM signal is directly proportional to the compare register contents. A total of 256 possible discrete mark space ratios can be generated ranging from a continuous low signal over a variable pulse width signal to a continuous high signal. The PWM signal has a repetition period of 256 clock periods, an interrupt (if unmasked) being generated on every compare event. Care should be taken if the SYSCL clock is used as the PWM clock source because it will stop if the CPU goes into SLEEP.

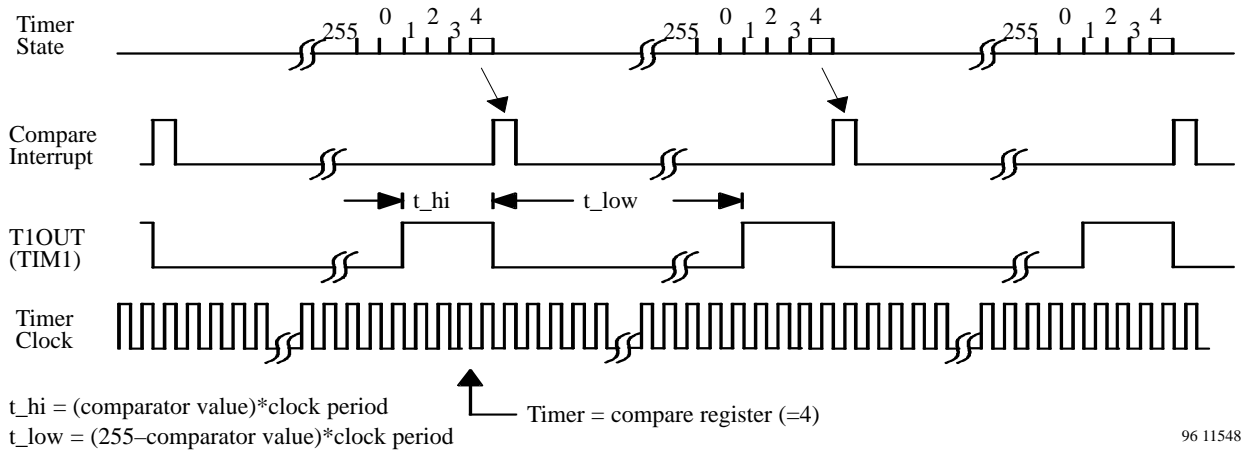


Figure 39. Timer 1 pulse width modulation

2.6 Buzzer Module

The buzzer is a 4 stage frequency divider which divides the SUBCL and depending on the state of the Buzzer Control Register (BZCR) can output one of four frequencies. An external piezo or buzzer can be driven by the complementary buzzer outputs (BUZ and NBUZ) which are directed to Port 4 (BP42 and BP43) under control of the Timer/Counter I/O Register (TCIOR) as shown in figure 23. When the buzzer is switched off, both of the buzzer outputs take up the same logical state. This is controlled by the BZOP bit of the BZCR.

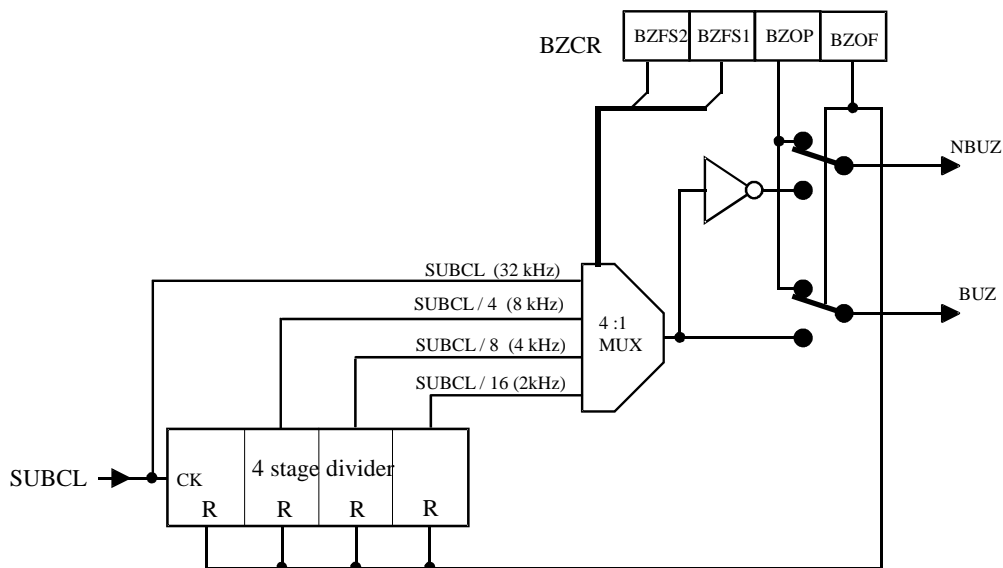


Figure 40. Buzzer module

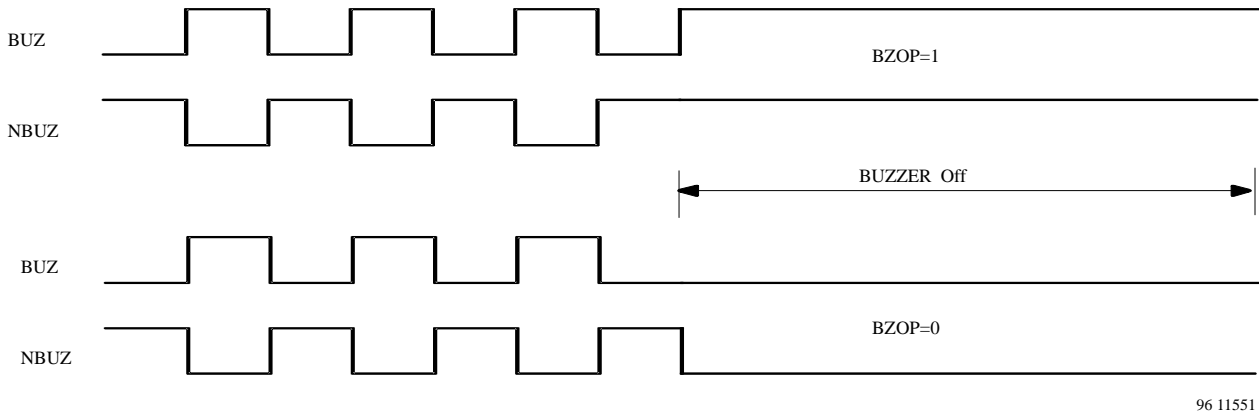


Figure 41. Buzzer waveform

Buzzer Control Register (BZCR)

Subport address (indirect write access): 'A'hex

	Bit 3	Bit 2	Bit 1	Bit 0	
BZCR	BZFS2	BZFS1	BZOP	BZOF	Reset value: 1111b

- BZFS2, BZFS2 – Buzzer Frequency Select code
- BZOP – Buzzer Output Stop State
- BZOF – Buzzer off/on

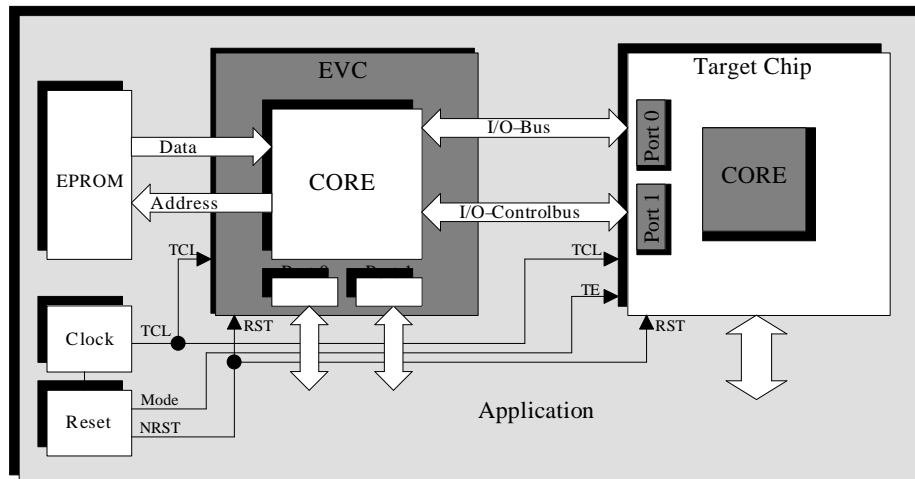
Table 21. Buzzer Control Register (BZCR)

Timer/Counter Subport Pointer (TCX) Address: '9'hex	
Code 3 2 1 0	Function
x x x 0	Buzzer on
x x x 1	Buzzer off
x x 0 x	Buzzer output stop state: BP42 = BP43 = low
x x 1 x	Buzzer output stop state: BP42 = BP43 = high
0 0 x x	Buzzer frequency: 32 kHz (= SUBCL)
0 1 x x	Buzzer frequency: 8 kHz (= SUBCL / 4)
1 0 x x	Buzzer frequency: 4 kHz (= SUBCL / 8)
1 1 x x	Buzzer frequency: 2 kHz (= SUBCL / 16)

2.7 Emulation

All MARC4 controllers have a special emulation mode. It is activated by setting the TE pin to logic HIGH level after reset. In this mode, the internal CPU core is inactive and the I/O bus is available via port 0 and port 1 to allow the emulator the access to the on-chip peripherals. The

emulator contains a special emulation CPU with a MARC4 core and additional breakpoint logic and takes over the core function. The basic function of the emulator is to evaluate the customer's program and hardware in real time.



96 11552

Figure 42. Emulation

3 Electrical Characteristics

3.1 Absolute Maximum Ratings

Voltages are given relative to V_{SS} .

Parameters	Symbol	Value	Unit
Supply voltage	V_{DD}	-0.3 to +6.5	V
Input voltage (on any pin)	V_{IN}	$V_{SS} - 0.3 \leq V_{IN} \leq V_{DD} + 0.3$	V
Output short circuit duration	t_{short}	indefinite	s
Operating temperature range	T_{amb}	-40 to +85	°C
Storage temperature range	T_{stg}	-40 to +130	°C
Thermal resistance (DIP40)	R_{thJA}	110	K/W
Soldering temperature ($t \leq 10$ s)	T_{sld}	260	°C

Stresses greater than those listed under absolute maximum ratings may cause permanent damage to the device. This is a stress rating only and functional operation of the device at any condition above those indicated in the operational section of these specification is not implied. Exposure to absolute maximum rating condition for an extended period may affect device reliability. All inputs

and outputs are protected against high electrostatic voltages or electric fields. However, precautions to minimize the build-up of electrostatic charges during handling are recommended. Reliability of operation is enhanced if unused inputs are connected to an appropriate logic voltage level (e.g. V_{DD}).

3.2 DC Operating Characteristics

Supply voltage $V_{DD} = 5$ V, $V_{SS} = 0$ V, $T_{amb} = 25$ °C unless otherwise specified.

Parameters	Test Conditions / Pins	Symbol	Min.	Typ.	Max.	Unit		
Power supply								
Active current (CPU active, RC osc. with ext. R 200 kΩ)	$f_{SYSCL} = 2$ MHz	I_{DD}		0.35		mA		
	$V_{DD} = 2.4$ V							
	$V_{DD} = 5.0$ V							
	$V_{DD} = 6.2$ V							
Power down current (CPU sleep, RC oscillator active, no 32 kHz osc.)	$f_{SYSCL} = 2$ MHz	I_{PD}		10		μA		
	$V_{DD} = 2.4$ V							
	$V_{DD} = 5.0$ V							
	$V_{DD} = 6.2$ V							
Sleep current (CPU sleep, SYSCL stopped, 32 kHz osc. active)	$V_{DD} = 2.4$ V	I_{Sleep}	1	2	4	μA		
	$V_{DD} = 6.2$ V							
							3	6

Parameters	Test Conditions / Pins	Symbol	Min.	Typ.	Max.	Unit
Power-on reset threshold voltage						
POR threshold voltage		V_{POR}		2.1	2.4	V
POR hysteresis		V_{POR}	0.5			V
Schmitt-trigger input voltage:						
Negative-going threshold voltage	$V_{DD} = 2.4$ to 6.2 V	V_{T-}	V_{SS}		$0.3 * V_{DD}$	V
Positive-going threshold voltage	$V_{DD} = 2.4$ to 6.2 V	V_{T+}	$0.7 * V_{DD}$		V_{DD}	V
Hysteresis ($V_{T+} - V_{T-}$)	$V_{DD} = 2.4$ to 6.2 V	V_H		$0.1 * V_{DD}$		

Input Pins: NRST and TE

Parameters	Test Conditions / Pins	Symbol	Min.	Typ.	Max.	Unit
Input voltage LOW	$V_{DD} = 2.4 \text{ V to } 6.2 \text{ V}$	V_{IL}	V_{SS}		$0.2 \cdot V_{DD}$	V
Input voltage HIGH	$V_{DD} = 2.4 \text{ V to } 6.2 \text{ V}$	V_{IH}	$0.8 \cdot V_{DD}$		V_{DD}	V
Input NRST with pull-up resistor						
Input LOW current	$V_{DD} = 2.4 \text{ V}, V_{IL} = V_{SS}$ $V_{DD} = 5.0 \text{ V}$	I_{IL}	-100 -250	-125 -320	-150 -400	μA μA
Input TE with pull-down resistor						
Input HIGH current	$V_{DD} = 2.4 \text{ V}, V_{IH} = V_{DD}$ $V_{DD} = 5.0 \text{ V}$	I_{IH}	15 200	30 260	50 300	μA μA

All Bidirectional Ports and TIM1

Parameters	Test Conditions / Pins	Symbol	Min.	Typ.	Max.	Unit
Input voltage LOW	$V_{DD} = 2.4 \text{ V to } 6.2 \text{ V}$	V_{IL}	V_{SS}		$0.2 \cdot V_{DD}$	V
Input voltage HIGH	$V_{DD} = 2.4 \text{ V to } 6.2 \text{ V}$	V_{IH}	$0.8 \cdot V_{DD}$		V_{DD}	V
Input LOW current (pull-up)	$V_{DD} = 2.4 \text{ V}, V_{IL} = V_{SS}$ $V_{DD} = 5.0 \text{ V}$	I_{IL}	-1.0 -6.0	-1.5 -8.5	-2.5 -12.0	μA μA
Input HIGH current (pull-down)	$V_{DD} = 2.4 \text{ V}, V_{IH} = V_{DD}$ $V_{DD} = 5.0 \text{ V}$	I_{IH}	1.0 4.0	1.3 4.0	3.0 10.0	μA μA
Output LOW current DR = 1	$V_{DD} = 2.4 \text{ V}$ $V_{OL} = 0.2 \cdot V_{DD}$ $V_{DD} = 5.0 \text{ V}$	I_{OL}	0.7 2.8	0.9 3.5	1.1 4.2	mA mA
Output LOW current DR = 4	$V_{DD} = 2.4 \text{ V}$ $V_{OL} = 0.2 \cdot V_{DD}$ $V_{DD} = 5.0 \text{ V}$	I_{OL}	2.8 10.5	3.5 13.1	4.2 15.7	mA mA
Output LOW current DR = 12	$V_{DD} = 2.4 \text{ V}$ $V_{OL} = 0.2 \cdot V_{DD}$ $V_{DD} = 5.0 \text{ V}$	I_{OL}	6.8 28	8.5 34.4	10.2 40.8	mA mA
Output HIGH current DR = 1	$V_{DD} = 2.4 \text{ V}$ $V_{OH} = 0.8 \cdot V_{DD}$ $V_{DD} = 5.0 \text{ V}$	I_{OH}	-0.5 -1.8	-0.6 -2.2	-0.7 -2.6	mA mA
Output HIGH current DR = 4	$V_{DD} = 2.4 \text{ V}$ $V_{OH} = 0.8 \cdot V_{DD}$ $V_{DD} = 5.0 \text{ V}$	I_{OH}	-1.7 -6.1	-2.1 -7.6	-2.5 -9.1	mA mA
Output HIGH current DR = 12	$V_{DD} = 2.4 \text{ V}$ $V_{OH} = 0.8 \cdot V_{DD}$ $V_{DD} = 5.0 \text{ V}$	I_{OH}	-4.4 -16.5	-5.5 -20.5	-6.6 -24.7	mA mA

Bidirectional Port BPA0...BPA3, BPB0...BPB3

Parameters	Test Conditions / Pins	Symbol	Min.	Typ.	Max.	Unit
Input LOW current (30 k pull-up)	$V_{DD} = 2.4 \text{ V}, V_{IL} = V_{SS}$ $V_{DD} = 5.0 \text{ V}$	I_{IL}	-20 -120	-27 -160	-40 -200	μA μA

Bidirectional Port BP60 and BP61 (INTx, INTy)

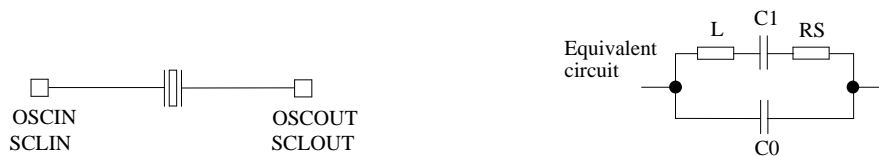
Parameters	Test Conditions / Pins	Symbol	Min.	Typ.	Max.	Unit
Input LOW current (2 k pull-up)	$V_{DD} = 2.4 \text{ V}, V_{IL} = V_{SS}$ $V_{DD} = 5.0 \text{ V}$	I_{IL}	-0.2 -1.4	-0.35 -1.7	-0.65 -2.5	mA mA

3.3 AC Characteristics

Supply voltage $V_{DD} = 2.4$ to 6.2 V, $V_{SS} = 0$ V, $T_{amb} = 25^{\circ}\text{C}$ unless otherwise specified.

Parameters	Test Conditions / Pins	Symbol	Min.	Typ.	Max.	Unit
Timer input timing TIM1, BP40 and BP41						
Timer input clock		f_{TIMx}		4	10	MHz
Timer input LOW time	Rise / fall time < 10 ns	t_{TIL}	50			ns
Timer input HIGH time	Rise / fall time < 10 ns	t_{TIH}	50			ns
Interrupt request input timing						
Int. request LOW time	Rise / fall time < 10 ns	t_{IRL}	50			ns
Int. request HIGH time	Rise / fall time < 10 ns	t_{IRH}	50			ns
System clock						
SCLIN input clock	Rise / fall time < 10 ns	f		4	10	MHz
Start-up time	$f_x = 4$ MHz, $V_{DD} = 3.0$ V	t_{SX}		10	20	ms
Reset timing						
Power-on reset time	$V_{DD} > V_{POR}$	T_{POR}		200	500	μs
NRST input LOW time		T_{NRST}	$4 * \text{SYSCL}$			μs
RC oscillator – external resistor						
Frequency	Note 1; $R_{ext} = 200$ k Ω	f_{RCe}	1.8	2.0	2.2	MHz
Stability	Note 1; $V_{DD} = 3$ to 5.5 V	$\Delta f/f$			± 5	%
32-kHz oscillator						
Start-up time	$AV_{DD} = 3.0$ V	t_{SQ}		0.5	1	s
Stability	Note 2; $\Delta AV_{DD} = 100$ mV	$\Delta f/f$		0.1		ppm
Integrated input / output capacitances		C_{IN} C_{OUT}		20 20		pF pF

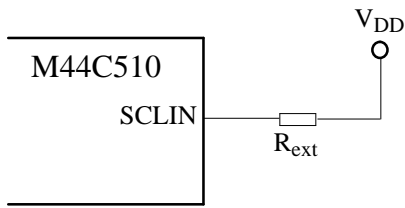
Crystal Characteristics



96 11553

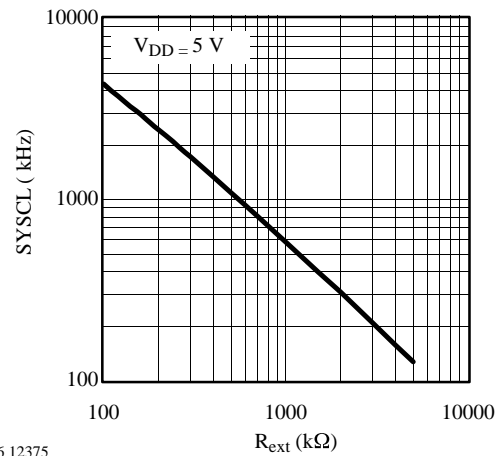
Figure 43. Crystal equivalent circuit

Parameters	Test Conditions / Pins	Symbol	Min.	Typ.	Max.	Unit
32-kHz crystal						
Crystal frequency		f_x		32.768		kHz
Series resistance		RS		30	50	k Ω
Static capacitance		C0		1.5		pF
Dynamic capacitance		C1		3		fF
Load capacitance		C_L		10	12.5	pF
4 MHz crystal						
Crystal frequency		f_x		4	4.192	MHz
Series resistance		RS		30	50	Ω
Static capacitance		C0		2	4.5	pF
Dynamic capacitance		C1		3	15	fF



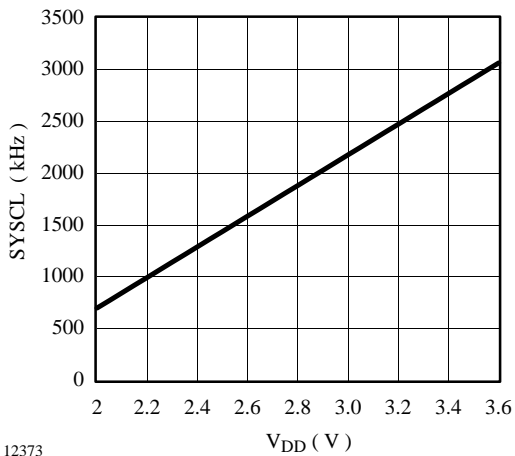
96 12372

Figure 44. Clock generation with external resistor



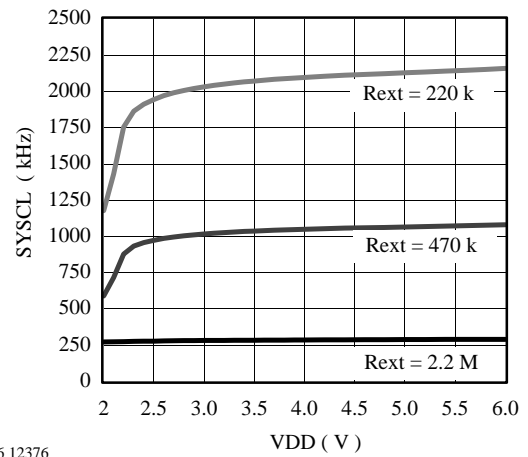
96 12375

Figure 47. $SYSCL = f(R_{ext})$



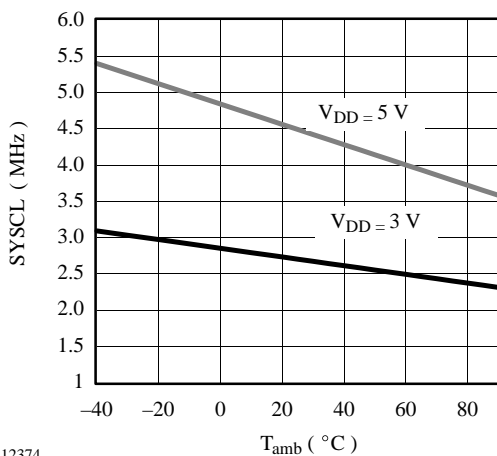
96 12373

Figure 45. Internal RC-oscillator frequency = $f(V_{DD})$



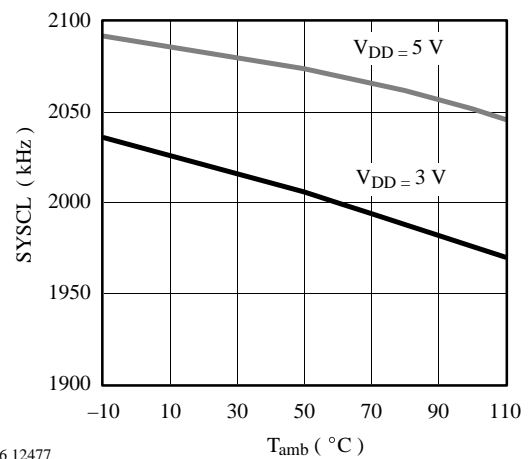
96 12376

Figure 48. $SYSCL = f(V_{DD}, R_{ext})$



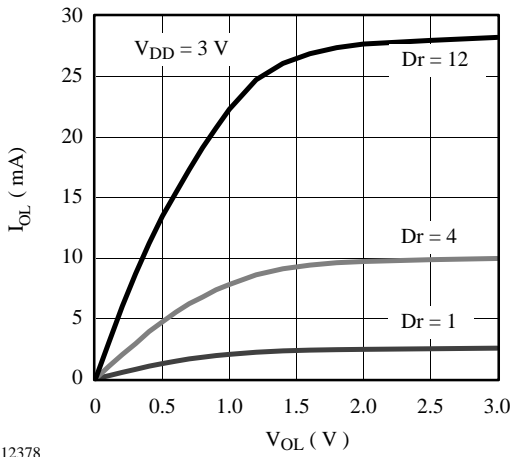
96 12374

Figure 46. Internal RC-oscillator frequency = $f(T_{amb})$



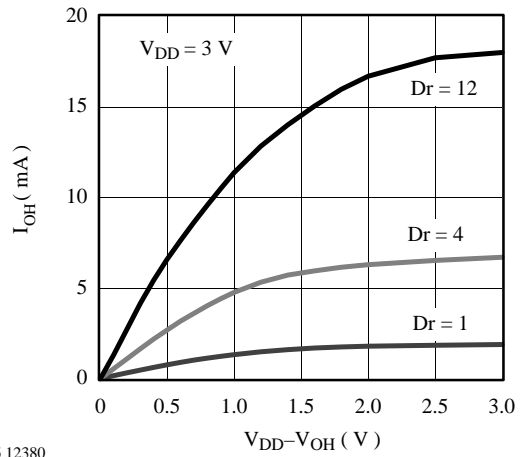
96 12477

Figure 49. $SYSCL = f(T_{amb}); R_{ext} = 220k$



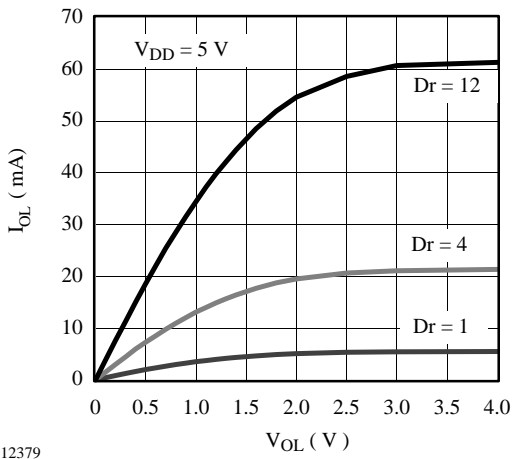
96 12378

Figure 50. Typical low output driver



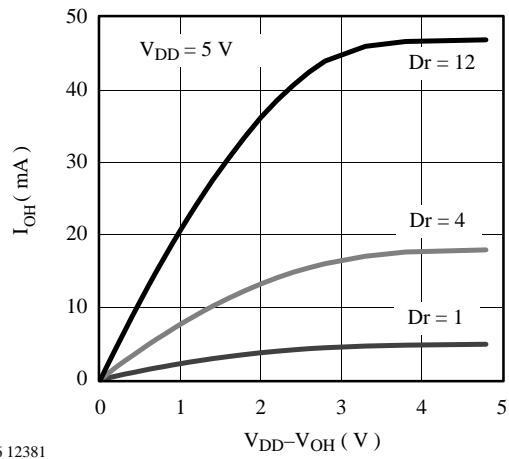
96 12380

Figure 52. Typical high output driver



96 12379

Figure 51. Typical low output driver



96 12381

Figure 53. Typical high output driver

4 Pad Layout

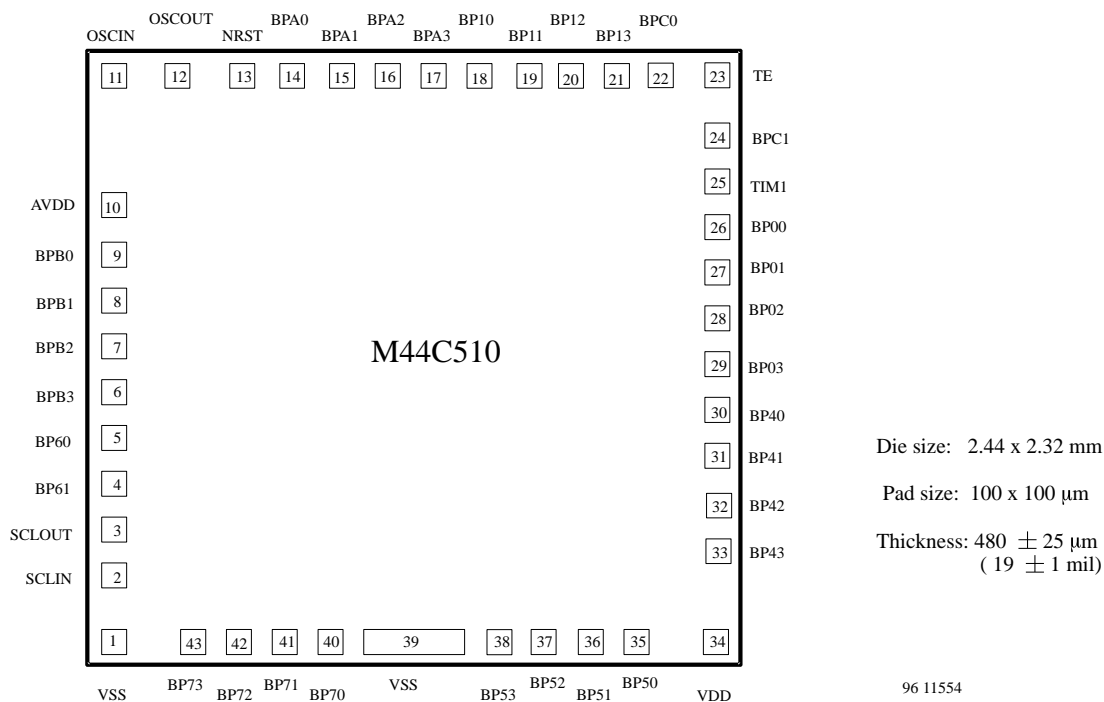
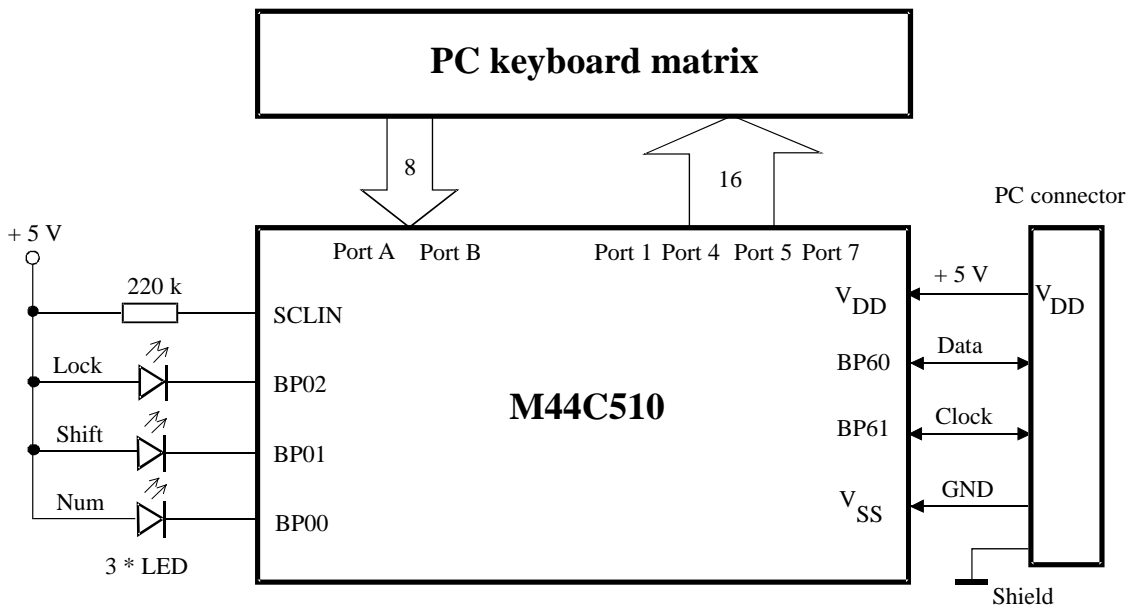


Figure 54. Pad assignments

Table 22. Pad coordinates

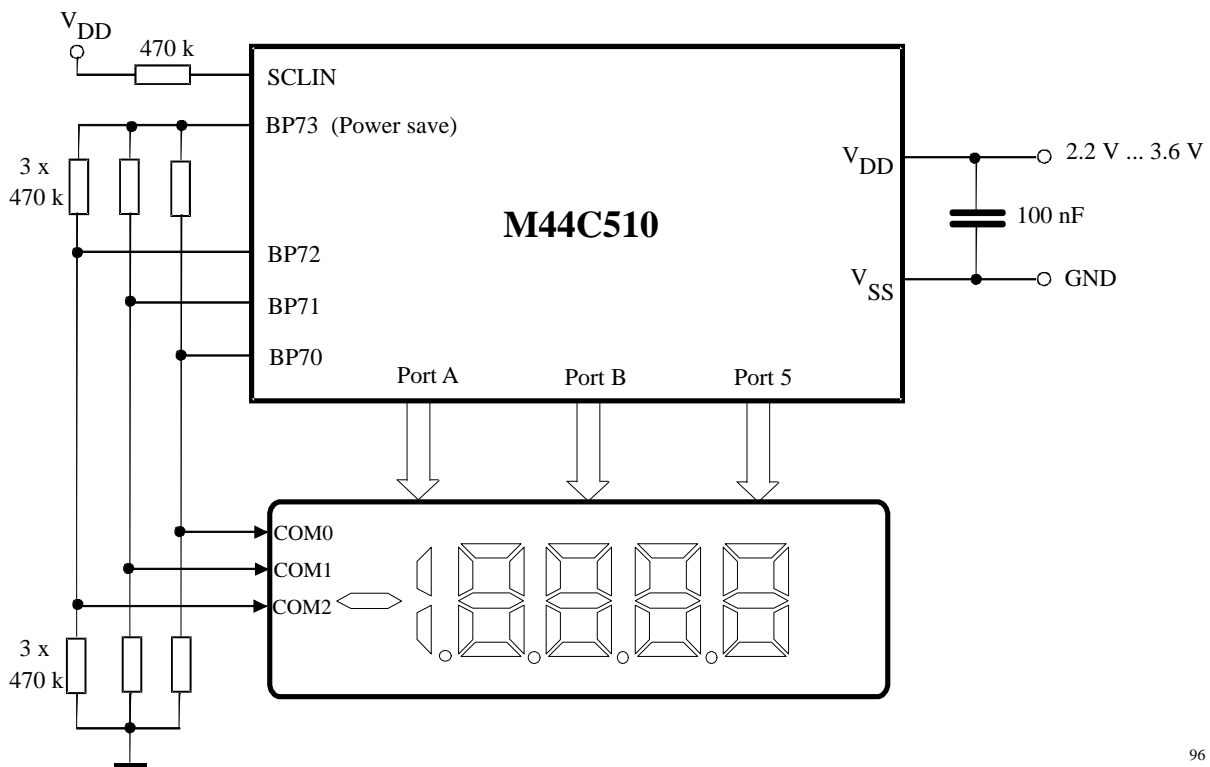
Pad No.	Name	X-Coord	Y-Coord	Pad No.	Name	X-Coord	Y-Coord
1	VSS	0.0	0.0	22	BPC0	1863.1	1931.6
2	SCLIN	0.0	202.6	23	TE	2093.0	1931.6
3	SCLOUT	0.0	352.6	24	BPC1	2103.2	1675.8
4	BP61	0.0	502.6	25	TIM1	2103.2	1525.8
5	BP60	0.0	652.6	26	BP00	2103.2	1375.8
6	BPB3	0.0	802.6	27	BP01	2103.2	1225.8
7	BPB2	0.0	952.6	28	BP02	2103.2	1075.8
8	BPB1	0.0	1102.6	29	BP03	2103.2	925.8
9	BPB0	0.0	1252.6	30	BP40	2103.2	757.5
10	AVDD	0.0	1402.6	31	BP41	2103.2	607.5
11	OSCIN	9.8	1931.6	32	BP42	2103.2	457.5
12	OSCOUT	263.0	1931.6	33	BP43	2103.2	307.0
13	NRST	513.1	1931.6	34	VDD	2103.2	0.0
14	BPA0	663.1	1931.6	35	BP50	1705.2	0.0
15	BPA1	813.1	1931.6	36	BP51	1555.2	0.0
16	BPA2	963.1	1931.6	37	BP52	1405.2	0.0
17	BPA3	1113.1	1931.6	38	BP53	1255.2	0.0
18	BP10	1263.1	1931.6	39	VSS	923.5	0.0
19	BP11	1413.1	1931.6	40	BP70	755.5	0.0
20	BP12	1563.1	1931.6	41	BP71	605.5	0.0
21	BP13	1713.1	1931.6	42	BP72	455.5	0.0
				43	BP73	305.5	0.0

5 Application Examples



96 11555

Figure 55. M44C510 as keyboard controller



96 12382

Figure 56. Driving a LCD panel with 1/3 duty

6 Ordering Information

Please select the option setting from the list below and insert ROM CRC. DR means driver ratio (= mA @ 3 V) and can be chosen from 1 to 12, however, the hole port must have the same value.

Port 0	DR = _____	<input checked="" type="checkbox"/> CMOS	Port 5	DR = _____	
BP00		<input type="checkbox"/> Pull-up	BP50	<input type="checkbox"/> CMOS	<input type="checkbox"/> Pull-up
		<input type="checkbox"/> Pull-down		<input type="checkbox"/> Open drain [N]	<input type="checkbox"/> Pull-down
				<input type="checkbox"/> Open drain [P]	
BP01		<input type="checkbox"/> Pull-up	BP51	<input type="checkbox"/> CMOS	<input type="checkbox"/> Pull-up
		<input type="checkbox"/> Pull-down		<input type="checkbox"/> Open drain [N]	<input type="checkbox"/> Pull-down
BP02		<input type="checkbox"/> Pull-up		<input type="checkbox"/> Open drain [P]	
		<input type="checkbox"/> Pull-down	BP52	<input type="checkbox"/> CMOS	<input type="checkbox"/> Pull-up
BP03		<input type="checkbox"/> Pull-up		<input type="checkbox"/> Open drain [N]	<input type="checkbox"/> Pull-down
		<input type="checkbox"/> Pull-down		<input type="checkbox"/> Open drain [P]	
			BP53	<input type="checkbox"/> CMOS	<input type="checkbox"/> Pull-up
				<input type="checkbox"/> Open drain [N]	<input type="checkbox"/> Pull-down
				<input type="checkbox"/> Open drain [P]	
Port 1	DR = _____		Port 6	DR = _____	
BP10	<input type="checkbox"/> CMOS	<input type="checkbox"/> Pull-up	BP60	<input type="checkbox"/> CMOS	<input type="checkbox"/> Pull-up
	<input type="checkbox"/> Open drain [N]	<input type="checkbox"/> Pull-down		<input type="checkbox"/> Open drain [N]	<input type="checkbox"/> Pull-down
	<input type="checkbox"/> Open drain [P]			<input type="checkbox"/> Open drain [P]	<input type="checkbox"/> Pull-up (2 k)
BP11	<input type="checkbox"/> CMOS	<input type="checkbox"/> Pull-up	BP61	<input type="checkbox"/> CMOS	<input type="checkbox"/> Pull-up
	<input type="checkbox"/> Open drain [N]	<input type="checkbox"/> Pull-down		<input type="checkbox"/> Open drain [N]	<input type="checkbox"/> Pull-down
	<input type="checkbox"/> Open drain [P]			<input type="checkbox"/> Open drain [P]	<input type="checkbox"/> Pull-up (2 k)
BP12	<input type="checkbox"/> CMOS	<input type="checkbox"/> Pull-up	Port 7	DR = _____	
	<input type="checkbox"/> Open drain [N]	<input type="checkbox"/> Pull-down	BP70	<input type="checkbox"/> CMOS	<input type="checkbox"/> Pull-up
	<input type="checkbox"/> Open drain [P]			<input type="checkbox"/> Open drain [N]	<input type="checkbox"/> Pull-down
BP13	<input type="checkbox"/> CMOS	<input type="checkbox"/> Pull-up		<input type="checkbox"/> Open drain [P]	
	<input type="checkbox"/> Open drain [N]	<input type="checkbox"/> Pull-down	BP71	<input type="checkbox"/> CMOS	<input type="checkbox"/> Pull-up
	<input type="checkbox"/> Open drain [P]			<input type="checkbox"/> Open drain [N]	<input type="checkbox"/> Pull-down
				<input type="checkbox"/> Open drain [P]	
Port 4	DR = _____		BP72	<input type="checkbox"/> CMOS	<input type="checkbox"/> Pull-up
BP40	<input type="checkbox"/> CMOS	<input type="checkbox"/> Pull-up		<input type="checkbox"/> Open drain [N]	<input type="checkbox"/> Pull-down
	<input type="checkbox"/> Open drain [N]	<input type="checkbox"/> Pull-down		<input type="checkbox"/> Open drain [P]	
	<input type="checkbox"/> Open drain [P]		BP73	<input type="checkbox"/> CMOS	<input type="checkbox"/> Pull-up
BP41	<input type="checkbox"/> CMOS	<input type="checkbox"/> Pull-up		<input type="checkbox"/> Open drain [N]	<input type="checkbox"/> Pull-down
	<input type="checkbox"/> Open drain [N]	<input type="checkbox"/> Pull-down		<input type="checkbox"/> Open drain [P]	
	<input type="checkbox"/> Open drain [P]		Port C	DR = _____	
BP42	<input type="checkbox"/> CMOS	<input type="checkbox"/> Pull-up	BPC0	<input type="checkbox"/> CMOS	<input type="checkbox"/> Pull-up
	<input type="checkbox"/> Open drain [N]	<input type="checkbox"/> Pull-down		<input type="checkbox"/> Open drain [N]	<input type="checkbox"/> Pull-down
	<input type="checkbox"/> Open drain [P]			<input type="checkbox"/> Open drain [P]	
BP43	<input type="checkbox"/> CMOS	<input type="checkbox"/> Pull-up	BPC1	<input type="checkbox"/> CMOS	<input type="checkbox"/> Pull-up
	<input type="checkbox"/> Open drain [N]	<input type="checkbox"/> Pull-down		<input type="checkbox"/> Open drain [N]	<input type="checkbox"/> Pull-down
	<input type="checkbox"/> Open drain [P]			<input type="checkbox"/> Open drain [P]	

Port A		DR = _____	BPA-Reset	<input type="checkbox"/> No
BPA0	<input type="checkbox"/> CMOS	<input type="checkbox"/> Pull-up	<input type="checkbox"/> BPA0 & BPA1	
	<input type="checkbox"/> Open drain [N]	<input type="checkbox"/> Pull-down	<input type="checkbox"/> BPA0 & BPA1 & BPA2	
	<input type="checkbox"/> Open drain [P]	<input type="checkbox"/> Pull-up (30 k)	<input type="checkbox"/> BPA0 & BPA1 & BPA2 & BPA3	
BPA1	<input type="checkbox"/> CMOS	<input type="checkbox"/> Pull-up	Watchdog	<input type="checkbox"/> 1/2 Hz <input type="checkbox"/> Disabled
	<input type="checkbox"/> Open drain [N]	<input type="checkbox"/> Pull-down		<input type="checkbox"/> 1 Hz
	<input type="checkbox"/> Open drain [P]	<input type="checkbox"/> Pull-up (30 k)		<input type="checkbox"/> 2 Hz
BPA2	<input type="checkbox"/> CMOS	<input type="checkbox"/> Pull-up	SYSCLOCK Type	<input type="checkbox"/> R extern
	<input type="checkbox"/> Open drain [N]	<input type="checkbox"/> Pull-down		<input type="checkbox"/> RC intern
	<input type="checkbox"/> Open drain [P]	<input type="checkbox"/> Pull-up (30 k)		<input type="checkbox"/> 4 MHz crystal oscillator
BPA3	<input type="checkbox"/> CMOS	<input type="checkbox"/> Pull-up		<input type="checkbox"/> 4 MHz ceramic resonator
	<input type="checkbox"/> Open drain [N]	<input type="checkbox"/> Pull-down	SLEEP CLK	<input type="checkbox"/> SYSCLOCK running
	<input type="checkbox"/> Open drain [P]	<input type="checkbox"/> Pull-up (30 k)		<input type="checkbox"/> SYSCLOCK stopped
Port B		DR = _____	SUBCLK	<input type="checkbox"/> SYSCLOCK / 64
BPB0	<input type="checkbox"/> CMOS	<input type="checkbox"/> Pull-up		<input type="checkbox"/> 32 kHz crystal
	<input type="checkbox"/> Open drain [N]	<input type="checkbox"/> Pull-down	OSCIN	<input type="checkbox"/> No integrated capacitance
	<input type="checkbox"/> Open drain [P]	<input type="checkbox"/> Pull-up (30 k)		<input type="checkbox"/> Internal CAP (_ pF)
BPB1	<input type="checkbox"/> CMOS	<input type="checkbox"/> Pull-up	OSCCOUT	<input type="checkbox"/> No intergrated capacitance
	<input type="checkbox"/> Open drain [N]	<input type="checkbox"/> Pull-down		<input type="checkbox"/> Internal CAP (_ pF)
	<input type="checkbox"/> Open drain [P]	<input type="checkbox"/> Pull-up (30 k)	SCLIN	<input type="checkbox"/> No integrated capacitance
BPB2	<input type="checkbox"/> CMOS	<input type="checkbox"/> Pull-up		<input type="checkbox"/> Internal CAP (_ pF)
	<input type="checkbox"/> Open drain [N]	<input type="checkbox"/> Pull-down	SCLOUT	<input type="checkbox"/> No integrated capacitance
	<input type="checkbox"/> Open drain [P]	<input type="checkbox"/> Pull-up (30 k)		<input type="checkbox"/> Internal CAP (_ pF)
BPB3	<input type="checkbox"/> CMOS	<input type="checkbox"/> Pull-up	Package	<input type="checkbox"/> DIT
	<input type="checkbox"/> Open drain [N]	<input type="checkbox"/> Pull-down		<input type="checkbox"/> PDIL40
	<input type="checkbox"/> Open drain [P]	<input type="checkbox"/> Pull-up (30 k)		<input type="checkbox"/> SSO44
TIM1	DR = _____			<input type="checkbox"/> SO28
	<input type="checkbox"/> CMOS			<input type="checkbox"/> SO20
	<input type="checkbox"/> Open drain [N]	<input type="checkbox"/> Pull-up		
	<input type="checkbox"/> Open drain [P]	<input type="checkbox"/> Pull-down		

File: _____ .HEX

CRC: _____ HEX

Approval Date: ____-____-____ Signature: _____

We reserve the right to make changes to improve technical design without further notice.

Parameters can vary in different applications. All operating parameters must be validated for each customer application by the customer. Should the buyer use TEMIC products for any unintended or unauthorized application, the buyer shall indemnify TEMIC against all claims, costs, damages, and expenses, arising out of, directly or indirectly, any claim of personal damage, injury or death associated with such unintended or unauthorized use.

TEMIC TELEFUNKEN microelectronic GmbH, P.O.B. 3535, D-74025 Heilbronn, Germany
Telephone: 49 (0)7131 67 2831, Fax Number: 49 (0)7131 67 2423