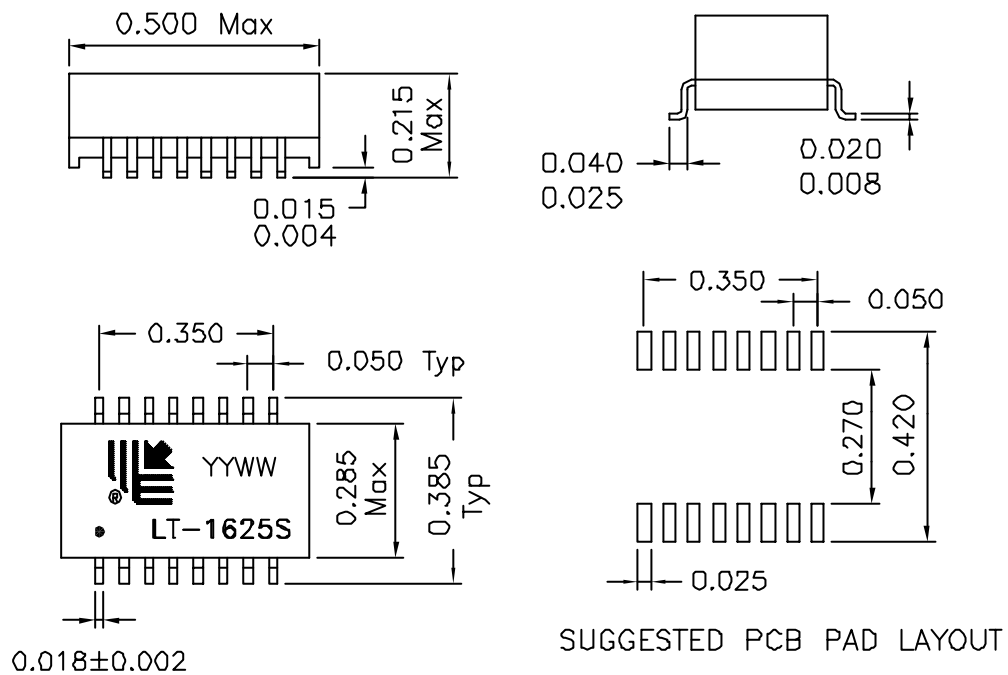


# T1/CEPT/ISDN-PRI TRANSFORMER

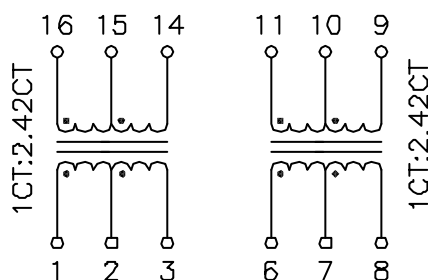
## Electrical Specifications: @25

- Isolation Voltage: 1500 Vrms
- Turns Ratio: 1CT:2.42CT  $\pm 5\%$
- OCL: 1.20mH Minimum @100KHz 20mV
- Leakage Inductance : 0.6uH Maximum
- Cw/w : 25pF Maximum
- PRI DCR : 0.70 Ohms Maximum
- SEC DCR : 1.20 Ohms Maximum

## Mechanicals:



## Schematics:



\*Specification Subject to Change Without Notice

P/N: LT-1625S	DIMENSIONS IN INCH	Unless otherwise specified Dim. Tolerances are: .xxx $\pm 0.010$	REV: A1	DRWN:	DATE: 03-08-05
	SCALE: NONE		PAGE: 1/1	APPD:	DATE: