

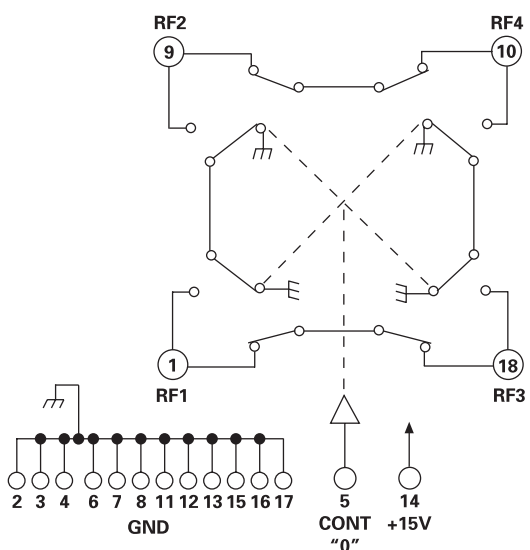
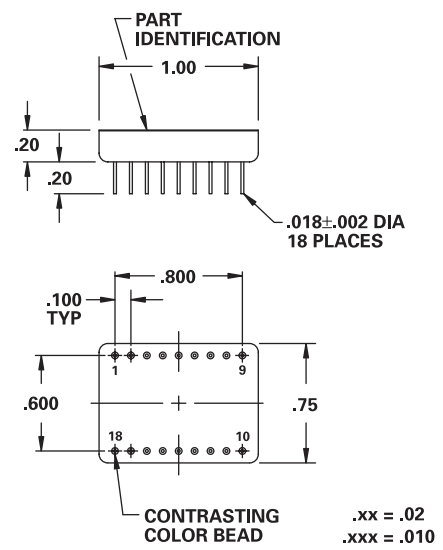
**MODEL NUMBER
DS0319**

PIN Diode Transfer Switch

FEATURES

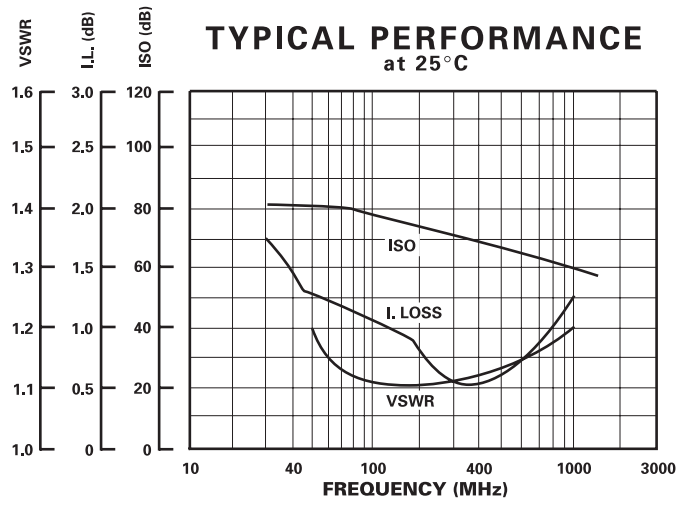
- 70-1000 MHz
- CMOS Driver
- 60 dB Isolation
- 1.3 dB Insertion Loss
- Low Transients
- 18 Pin DIP

XFER



LOGIC TABLE	
"0"	RF1 TO RF3 RF2 TO RF4
"1"	RF1 TO RF2 RF3 TO RF4

**TYPICAL PERFORMANCE
at 25°C**



GUARANTEED PERFORMANCE

Parameter	Min	Typ	Max	Units	Conditions
Operating Frequency	70		1000	MHz	
DC Current		15		mA	At +15 VDC Supply
Control Type		CMOS			1 Line, See Logic Table
Control Current	High Low		±3 ±3	µA	V _{IH} = +V V _{IL} = Ground
Insertion Loss		1.2	1.5	dB	
Amplitude Flatness			±0.5	dB	
Isolation	40	60		dB	
VSWR	Thru	1.2/1	1.3/1		
Impedance		50		OHMS	
Switching Speed			10	µSEC	50% Control to 90% / 10% RF
Transition (Rise/Fall) Time		0.5		µSEC	90% / 10% or 10% / 90% RF
Switching Transients (Video)			100	mV	Peak Value
RF Power	Operate No Damage		+10 +30	dBm	
Operating Temperature	-55	+25	+105	°C	TA