

---

# 2SC4791

Silicon NPN Epitaxial

# HITACHI

---

## Application

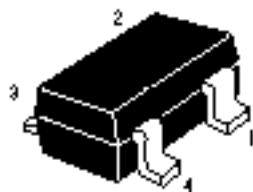
VHF / UHF wide band amplifier

## Features

- High gain bandwidth product  
 $f_T = 10$  GHz Typ.
- High gain, low noise figure  
PG = 15.5 dB Typ, NF = 1.2 dB Typ at  $f = 900$  MHz

## Outline

MPAK-4



1. Collector
2. Emitter
3. Base
4. Emitter

---

## 2SC4791

---

### Absolute Maximum Ratings (Ta = 25°C)

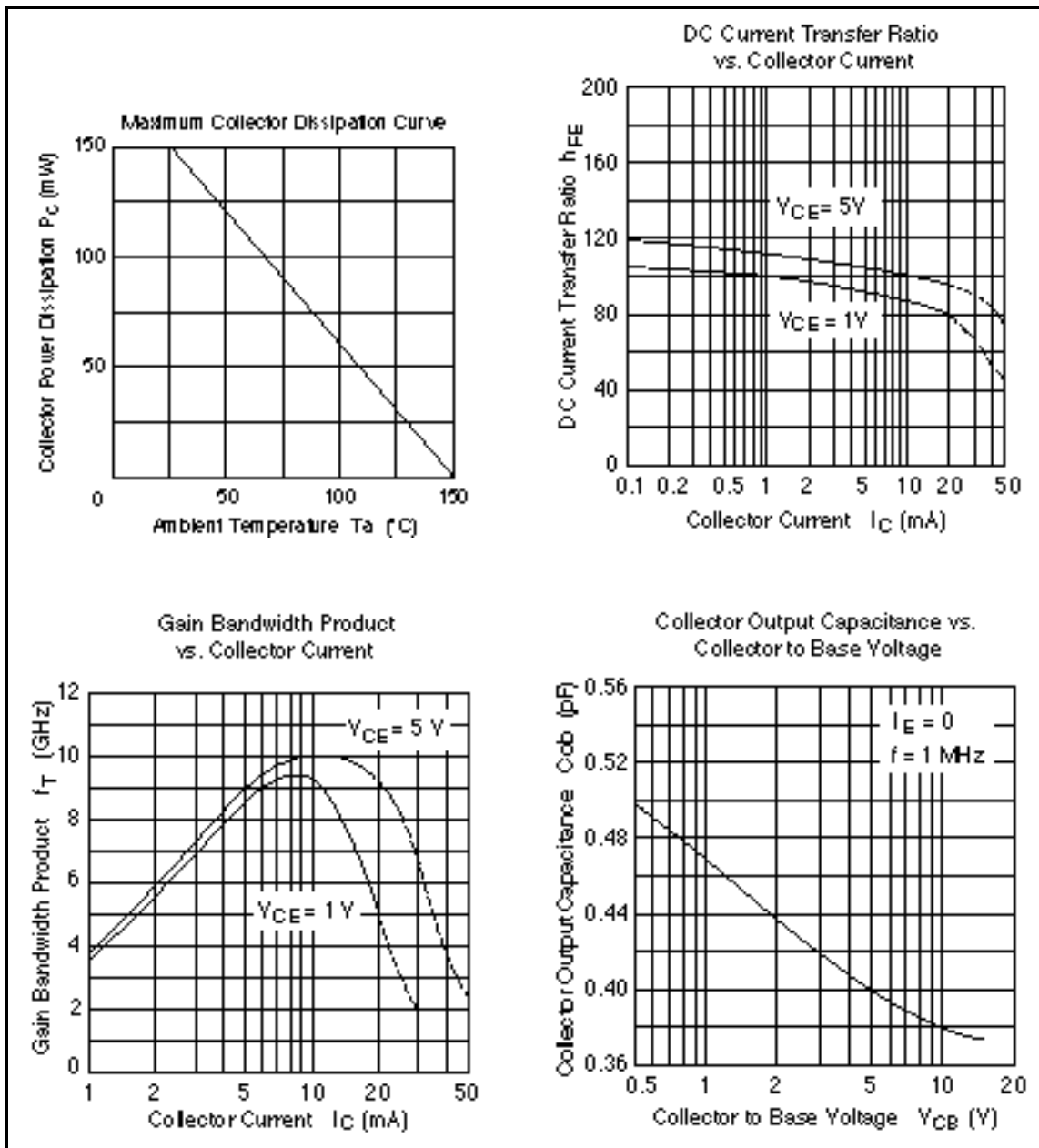
Item	Symbol	Ratings	Unit
Collector to base voltage	$V_{CBO}$	15	V
Collector to emitter voltage	$V_{CEO}$	8	V
Emitter to base voltage	$V_{EBO}$	1.5	V
Collector current	$I_C$	20	mA
Collector power dissipation	$P_C$	150	mW
Junction temperature	$T_j$	150	°C
Storage temperature	$T_{stg}$	-55 to +150	°C

### Electrical Characteristics (Ta = 25°C)

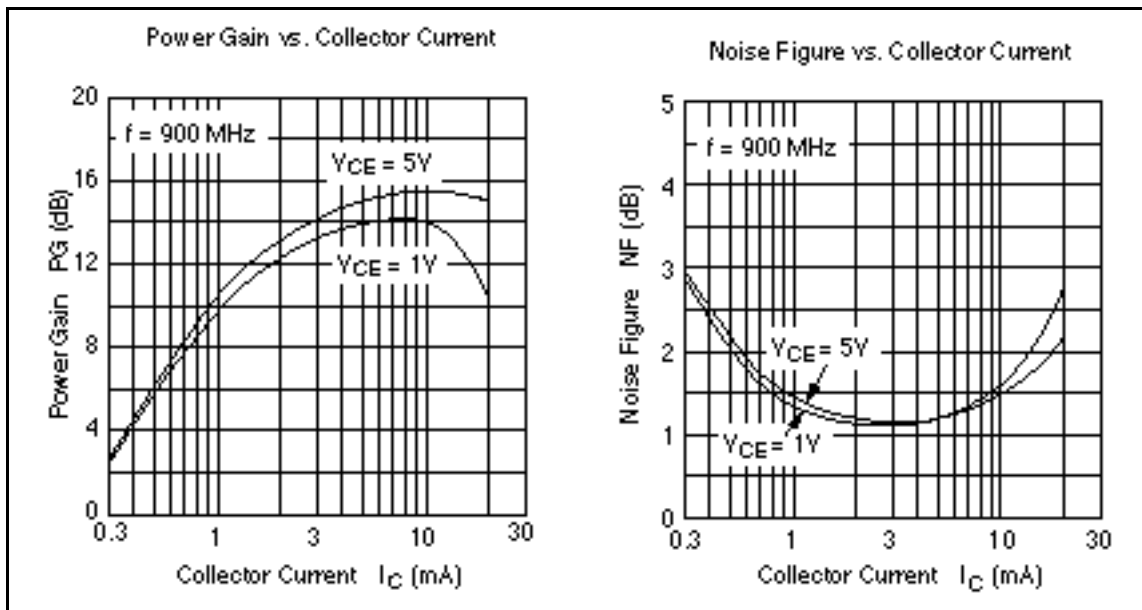
Item	Symbol	Min	Typ	Max	Unit	Test conditions
Collector cutoff current	$I_{CBO}$	—	—	10	μA	$V_{CB} = 15\text{ V}, I_E = 0$
	$I_{CEO}$	—	—	1	mA	$V_{CE} = 8\text{ V}, R_{BE} =$
Emitter cutoff current	$I_{EBO}$	—	—	10	μA	$V_{EB} = 1.5\text{ V}, I_C = 0$
DC current transfer ratio	$h_{FE}$	50	120	250		$V_{CE} = 5\text{ V}, I_C = 10\text{ mA}$
Collector output capacitance	$C_{ob}$	—	0.4	0.75	pF	$V_{CB} = 5\text{ V}, I_E = 0, f = 1\text{ MHz}$
Gain bandwidth product	$f_T$	7.0	10.0	—	GHz	$V_{CE} = 5\text{ V}, I_C = 10\text{ mA}$
Power gain	PG	12.5	15.5	—	dB	$V_{CE} = 5\text{ V}, I_C = 10\text{ mA},$ $f = 900\text{ MHz}$
Noise figure	NF	—	1.2	2.5	dB	$V_{CE} = 5\text{ V}, I_C = 5\text{ mA},$ $f = 900\text{ MHz}$

Note: Marking is "YA-".

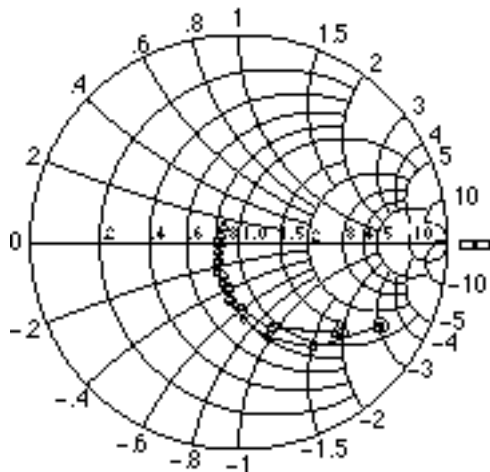
Attention: This is electrostatic sensitive device.



## 2SC4791

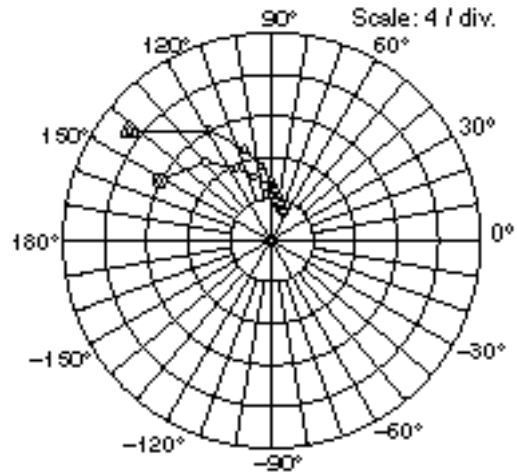


S11 Parameter vs. Frequency



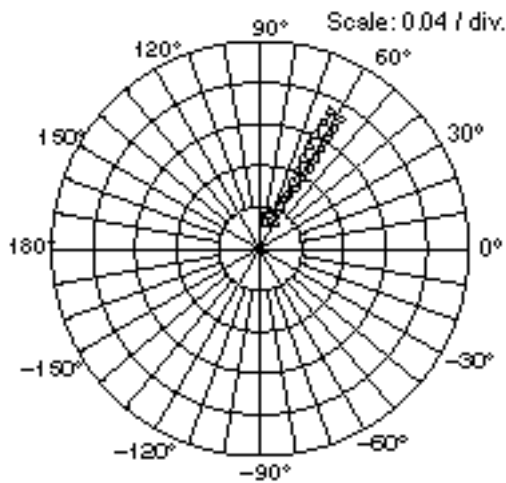
Condition:  $V_{CE} = 5\text{ V}$ ,  $Z_0 = 50\ \Omega$   
 200 to 2000 MHz (200 MHz step)  
 ○ → (I<sub>C</sub> = 5 mA)  
 △ → (I<sub>C</sub> = 10 mA)

S21 Parameter vs. Frequency



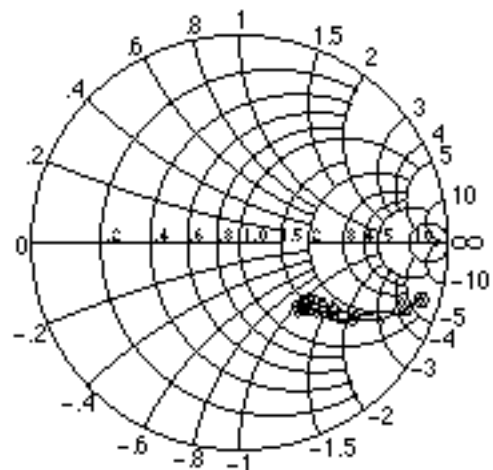
Condition:  $V_{CE} = 5\text{ V}$ ,  $Z_0 = 50\ \Omega$   
 200 to 2000 MHz (200 MHz step)  
 ○ → (I<sub>C</sub> = 5 mA)  
 △ → (I<sub>C</sub> = 10 mA)

S12 Parameter vs. Frequency



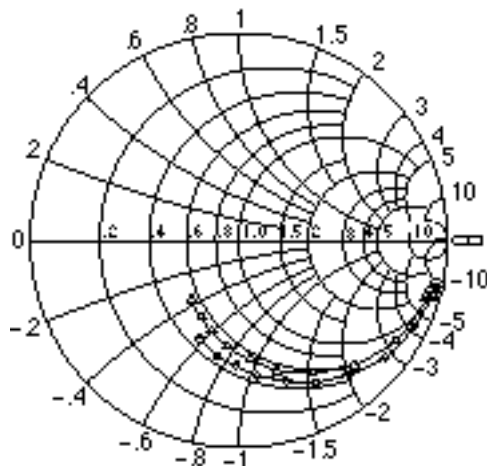
Condition:  $V_{CE} = 5\text{ V}$ ,  $Z_0 = 50\ \Omega$   
 200 to 2000 MHz (200 MHz step)  
 ○ → (I<sub>C</sub> = 5 mA)  
 △ → (I<sub>C</sub> = 10 mA)

S22 Parameter vs. Frequency



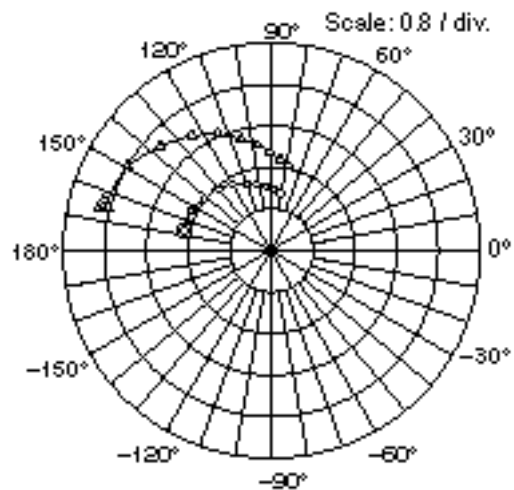
Condition:  $V_{CE} = 5\text{ V}$ ,  $Z_0 = 50\ \Omega$   
 200 to 2000 MHz (200 MHz step)  
 ○ → (I<sub>C</sub> = 5 mA)  
 △ → (I<sub>C</sub> = 10 mA)

S11 Parameter vs. Frequency



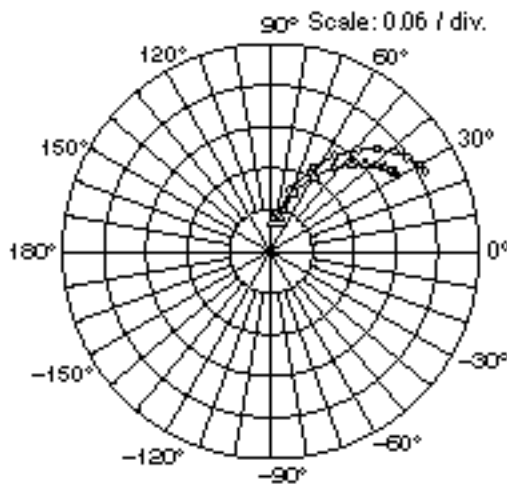
Condition:  $V_{CE} = 1\text{ V}$ ,  $Z_o = 50\ \Omega$   
 200 to 2000 MHz (200 MHz step)  
 ⊗—○ ( $I_C = 0.5\text{ mA}$ )  
 ⊠—△ ( $I_C = 1\text{ mA}$ )

S21 Parameter vs. Frequency



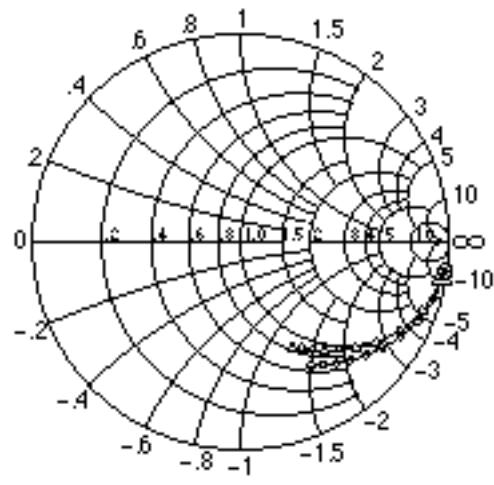
Condition:  $V_{CE} = 1\text{ V}$ ,  $Z_o = 50\ \Omega$   
 200 to 2000 MHz (200 MHz step)  
 ⊗—○ ( $I_C = 0.5\text{ mA}$ )  
 ⊠—△ ( $I_C = 1\text{ mA}$ )

S12 Parameter vs. Frequency



Condition:  $V_{CE} = 1\text{ V}$ ,  $Z_o = 50\ \Omega$   
 200 to 2000 MHz (200 MHz step)  
 ⊗—○ ( $I_C = 0.5\text{ mA}$ )  
 ⊠—△ ( $I_C = 1\text{ mA}$ )

S22 Parameter vs. Frequency



Condition:  $V_{CE} = 1\text{ V}$ ,  $Z_o = 50\ \Omega$   
 200 to 2000 MHz (200 MHz step)  
 ⊗—○ ( $I_C = 0.5\text{ mA}$ )  
 ⊠—△ ( $I_C = 1\text{ mA}$ )

**S Parameter** ( $V_{CE} = 5 \text{ V}$ ,  $I_C = 5 \text{ mA}$ ,  $Z_o = 50 \Omega$ , Emitter Common)

Freq. (MHz)	S11		S21		S12		S22	
	MAG.	ANG.	MAG.	ANG.	MAG.	ANG.	MAG.	ANG.
100	0.859	-15.9	13.192	165.5	0.016	82.3	0.974	-9.3
200	0.790	-30.6	12.225	151.9	0.031	73.9	0.914	-17.5
300	0.700	-44.0	10.967	139.9	0.043	68.2	0.841	-24.2
400	0.618	-54.8	9.802	130.2	0.053	64.0	0.771	-29.2
500	0.543	-64.7	8.686	122.4	0.061	61.4	0.710	-32.5
600	0.477	-73.3	7.761	116.0	0.068	59.8	0.660	-34.8
700	0.421	-80.1	6.955	110.2	0.074	58.9	0.619	-36.7
800	0.369	-86.3	6.316	105.5	0.080	58.7	0.584	-38.2
900	0.331	-92.8	5.748	101.0	0.086	58.1	0.557	-39.3
1000	0.287	-99.4	5.275	97.6	0.091	57.9	0.535	-40.3
1100	0.226	-104.8	4.869	94.1	0.097	57.9	0.517	-41.2
1200	0.220	-110.7	4.498	90.6	0.102	58.1	0.502	-42.1
1300	0.200	-110.7	4.169	88.2	0.107	58.4	0.492	-43.1
1400	0.179	-125.0	3.926	85.4	0.113	58.2	0.479	-44.2
1500	0.159	-131.7	3.698	83.0	0.119	58.2	0.471	-44.9
1600	0.142	-138.0	3.493	80.5	0.125	58.4	0.463	-46.0
1700	0.126	-147.6	3.311	78.1	0.130	58.5	0.456	-47.2
1800	0.117	-154.1	3.143	76.1	0.136	58.2	0.450	-48.2
1900	0.109	-166.9	3.008	74.0	0.142	58.0	0.445	-49.3
2000	0.102	179.8	2.864	71.9	0.147	57.9	0.440	-50.4

---

## 2SC4791

---

**S Parameter** ( $V_{CE} = 5 \text{ V}$ ,  $I_C = 10 \text{ mA}$ ,  $Z_o = 50 \text{ } \Omega$ , Emitter Common)

Freq. (MHz)	S11		S21		S12		S22	
	MAG.	ANG.	MAG.	ANG.	MAG.	ANG.	MAG.	ANG.
100	0.758	-22.4	19.871	159.8	0.015	78.6	0.942	-12.6
200	0.650	-41.5	17.252	142.4	0.028	71.0	0.842	-22.5
300	0.538	-57.1	14.423	129.0	0.037	66.8	0.739	-28.5
400	0.445	-69.1	12.168	119.4	0.045	64.3	0.659	-32.0
500	0.383	-79.6	10.376	112.2	0.052	63.3	0.600	-33.7
600	0.320	-87.8	8.995	106.7	0.058	63.4	0.577	-34.9
700	0.274	-95.4	7.914	101.8	0.065	63.7	0.524	-35.4
800	0.230	-102.4	7.057	97.8	0.071	64.0	0.499	-36.3
900	0.205	-109.8	6.332	93.9	0.076	64.4	0.480	-36.7
1000	0.174	-116.9	5.778	91.0	0.083	64.5	0.466	-37.4
1100	0.154	-125.9	5.291	88.1	0.089	64.6	0.454	-38.0
1200	0.131	-135.1	4.862	85.4	0.096	64.7	0.444	-38.7
1300	0.118	-142.7	4.508	82.9	0.102	64.6	0.438	-39.4
1400	0.108	-154.7	4.226	80.8	0.109	64.5	0.431	-40.4
1500	0.104	-165.2	3.961	78.7	0.116	64.3	0.426	-41.4
1600	0.093	-178.6	3.718	76.4	0.122	64.1	0.420	-42.4
1700	0.095	169.4	3.532	74.3	0.129	64.0	0.417	-43.6
1800	0.094	158.4	3.347	72.4	0.135	63.4	0.413	-44.8
1900	0.094	148.2	3.190	70.5	0.142	63.2	0.409	-46.0
2000	0.101	136.0	3.036	68.6	0.148	63.0	0.406	-47.3



**S Parameter** ( $V_{CE} = 1 \text{ V}$ ,  $I_C = 0.5 \text{ mA}$ ,  $Z_0 = 50 \text{ } \Omega$ , Emitter Common)

Freq. (MHz)	S11		S21		S12		S22	
	MAG.	ANG.	MAG.	ANG.	MAG.	ANG.	MAG.	ANG.
100	0.983	-6.6	1.757	174.0	0.023	85.8	0.995	-4.1
200	0.976	-13.1	1.723	167.3	0.047	80.7	0.990	-8.2
300	0.961	-19.6	1.741	160.2	0.071	76.4	0.980	-12.3
400	0.938	-26.2	1.734	154.0	0.093	71.9	0.966	-16.4
500	0.920	-32.5	1.666	147.6	0.093	67.6	0.950	-20.1
600	0.903	-38.6	1.629	142.6	0.133	63.4	0.932	-23.9
700	0.868	-44.6	1.584	136.2	0.151	59.9	0.913	-27.3
800	0.836	-50.4	1.564	130.6	0.166	56.2	0.891	-30.6
900	0.819	-56.1	1.520	125.3	0.180	52.8	0.869	-33.8
1000	0.780	-61.6	1.484	120.3	0.193	49.5	0.849	-36.8
1100	0.749	-66.9	1.434	115.3	0.204	46.7	0.828	-39.6
1200	0.713	-71.7	1.369	110.4	0.213	44.0	0.810	-42.1
1300	0.687	-77.0	1.322	107.2	0.221	41.4	0.794	-44.8
1400	0.659	-82.2	1.317	102.3	0.229	38.9	0.774	-47.3
1500	0.629	-86.9	1.282	98.5	0.234	36.7	0.757	-49.7
1600	0.601	-91.2	1.248	94.6	0.239	34.6	0.741	-51.9
1700	0.578	-96.7	1.215	91.0	0.243	32.4	0.726	-54.2
1800	0.656	-101.0	1.187	87.5	0.248	30.4	0.713	-56.3
1900	0.532	-106.3	1.155	84.4	0.249	28.9	0.699	-58.4
2000	0.508	-111.4	1.124	81.0	0.251	27.3	0.686	-60.5

---

## 2SC4791

---

**S Parameter** ( $V_{CE} = 1\text{ V}$ ,  $I_C = 1\text{ mA}$ ,  $Z_o = 50\ \Omega$ , Emitter Common)

Freq. (MHz)	S11		S21		S12		S22	
	MAG.	ANG.	MAG.	ANG.	MAG.	ANG.	MAG.	ANG.
100	0.969	-8.3	3.406	172.8	0.023	84.7	0.992	-5.3
200	0.953	-16.4	3.337	165.1	0.046	79.1	0.980	-10.3
300	0.927	-25.1	3.270	157.0	0.070	73.7	0.960	-15.8
400	0.896	-33.0	3.218	149.3	0.090	68.8	0.933	-20.8
500	0.860	-40.5	3.068	143.0	0.108	64.2	0.905	-25.1
600	0.820	-47.7	2.950	136.9	0.124	59.7	0.874	-29.3
700	0.778	-54.5	2.816	130.7	0.139	56.3	0.844	-33.2
800	0.731	-61.1	2.711	124.8	0.151	52.9	0.810	-36.7
900	0.703	-67.5	2.580	119.7	0.162	49.8	0.780	-39.9
1000	0.657	-73.8	2.470	114.8	0.171	46.9	0.752	-42.8
1100	0.617	-79.8	2.363	110.2	0.178	44.7	0.725	-45.5
1200	0.575	-84.8	2.229	105.3	0.185	42.5	0.703	-47.7
1300	0.549	-89.8	2.104	102.4	0.191	40.8	0.686	-50.1
1400	0.516	-96.2	2.053	97.9	0.196	38.8	0.660	-52.5
1500	0.485	-101.5	1.975	94.3	0.199	37.6	0.641	-54.5
1600	0.456	-106.7	1.891	90.9	0.203	36.2	0.623	-56.4
1700	0.429	-111.9	1.827	87.8	0.206	34.9	0.607	-58.3
1800	0.412	-115.9	1.751	84.6	0.209	33.7	0.593	-60.3
1900	0.389	-122.6	1.700	81.7	0.211	33.2	0.580	-62.1
2000	0.368	-128.0	1.645	78.8	0.212	32.4	0.567	-64.1

When using this document, keep the following in mind:

1. This document may, wholly or partially, be subject to change without notice.
2. All rights are reserved: No one is permitted to reproduce or duplicate, in any form, the whole or part of this document without Hitachi's permission.
3. Hitachi will not be held responsible for any damage to the user that may result from accidents or any other reasons during operation of the user's unit according to this document.
4. Circuitry and other examples described herein are meant merely to indicate the characteristics and performance of Hitachi's semiconductor products. Hitachi assumes no responsibility for any intellectual property claims or other problems that may result from applications based on the examples described herein.
5. No license is granted by implication or otherwise under any patents or other rights of any third party or Hitachi, Ltd.
6. **MEDICAL APPLICATIONS:** Hitachi's products are not authorized for use in **MEDICAL APPLICATIONS** without the written consent of the appropriate officer of Hitachi's sales company. Such use includes, but is not limited to, use in life support systems. Buyers of Hitachi's products are requested to notify the relevant Hitachi sales offices when planning to use the products in **MEDICAL APPLICATIONS**.

---

---

# HITACHI

## Hitachi, Ltd.

Semiconductor & IC Div.

Nippon Bldg., 2-5-2, Ohta-machi, Chiyoda-ku, Tokyo 100, Japan

Tel: Tokyo (03) 3270-2111

Fax: (03) 3270-5109

For further information write to:

Hitachi America, Ltd.  
Semiconductor & IC Div.  
2000 Sierra Point Parkway  
Brisbane, CA 94005-4835  
U.S.A.  
Tel: 415-589-8000  
Fax: 415-589-4207

Hitachi Europe GmbH  
Electronic Components Group  
Continental Europe  
Dornacher Straße 3  
D-85622 Feldkirchen  
München  
Tel: 089-9 94 80-0  
Fax: 089-9 29 30 00

Hitachi Europe Ltd.  
Electronic Components Div.  
Northern Europe Headquarters  
Whitebrook Park  
Lower Cookham Road  
Maidenhead  
Berkshire SL6 8YA  
United Kingdom  
Tel: 0628-585000  
Fax: 0628-778322

Hitachi Asia Pte. Ltd.  
45 Collyer Quay #20-00  
Hitachi Tower  
Singapore 0104  
Tel: 535-2100  
Fax: 535-1533

Hitachi Asia (Hong Kong) Ltd.  
Unit 705, North Tower,  
World Finance Centre  
Harbour City, Canton Road  
Tsim Sha Tsui, Kowloon  
Hong Kong  
Tel: 27359218  
Fax: 27308074