

NTC Thermistors, Molded Range



QUICK REFERENCE DATA

PARAMETER	VALUE	
	2322 640 90004	2322 640 98004
Resistance value at:		
+25 °C	12 kΩ	
+100 °C	950 Ω	
Tolerance on R ₂₅ -value:		
+25 °C	±7%	
+100 °C	±5%	
B _{25/85} -value	3750 K	
Temperature coefficient	-4.2%/K	
Maximum dissipation	0.25 W	
Dissipation factor	7 mW/K	9.5 mW/K
when mounted on a heatsink; note 1	19 mW/K	27 mW/K
Thermal time constant	19 s	33 s
when mounted on a heatsink; note 2	10 s	5 s
Heat capacity of ceramic (in air)	0.028 J/K	0.028 J/K
when mounted on a heatsink	0.13 J/K	0.3 J/K
Response time; note 2	3 s	
Operating temperature range:		
at zero dissipation	-10 to +125 °C	
at maximum dissipation	0 to +55 °C	
Dielectric withstanding voltage (RMS) between terminals and coating	min. 350 V	
Insulation resistance between terminals and coating at 100 V (DC)	min. 100 MΩ	
Mass	≈0.3 g	≈0.5 g

Notes

- Measurements made in still air with the thermistor mounted on a heatsink of 100 cm², thickness 1.5 mm, connected between phosphor-bronze wires (∅1.3 mm).
- The thermistor being transferred from ambient air of +25 °C to a silicone oil (MS200/50) bath of 85 °C.

FEATURES

- Designed for harsh environments
- Excellent for surface temperature measurement
- Metal strip for heat conduction and easy mounting (2322 640 98004)
- High accuracy at 100 °C
- Minimum 350 V dielectric withstanding voltage

APPLICATIONS

High temperature measurement control:

DESCRIPTION

Molded chip thermistor with negative temperature control and two solid tinned nickel leads. The body color is white and the device is non-flammable.

The thermistor 2322 640 98004 is provided with a metal strip for mounting.

MARKING

The thermistors are marked with a grey dot.

MOUNTING

2322 640 90004: by soldering in any position

2322 640 98004: by means of the mounting strip.

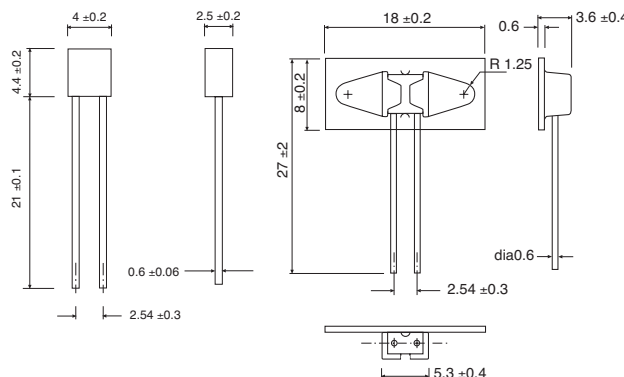
PACKAGING

The thermistors are packed in cardboard boxes:

2322 640 90004: 500 units

2322 640 98004: 400 units.

DIMENSIONS in millimeters



Component outline 2322 640 90004.

This datasheet has been downloaded from:

www.DatasheetCatalog.com

Datasheets for electronic components.