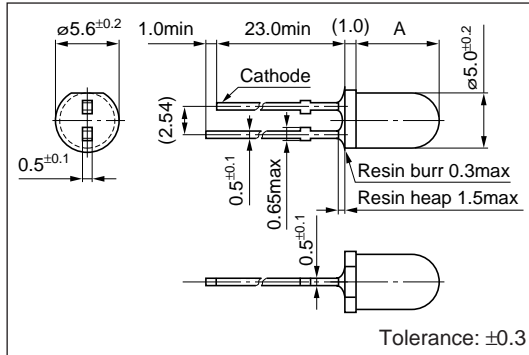


5 ϕ Round Infrared LED

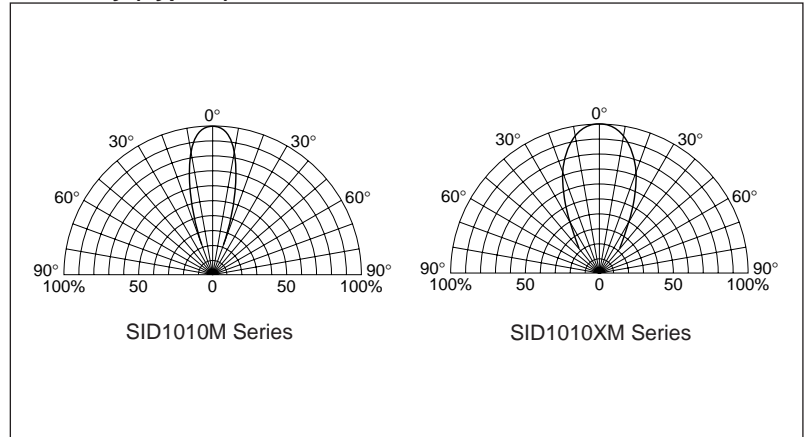
SID1010M Series

External Dimensions

(Unit: mm)



Directivity (Typical)



Absolute maximum ratings (Ta=25°C)

Symbol	Unit	Rating	Condition
I_F	mA	150	
ΔI_F	mA/°C	-1.33	Above 25°C
I_{FP}	mA	1000	$f=1\text{kHz}$, $t_w \leq 10\mu\text{s}$
V_R	V	5	
Top	°C	-30 to +85	
Tstg	°C	-30 to +100	

Electrical Optical characteristics (Ta=25°C)

Part Number	Lens color	Forward voltage		Reverse current		Optical Power		Peak wavelength		Spectrum half width		Chip material	Dimension A (mm)	
		V_F (V)		I_R (μA)	Condition	I_e (mW/sr)	Condition	λ_P (nm)	Condition	$\Delta\lambda$ (nm)	Condition			
		typ	max	max	I_F (mA)	V_R (V)	typ		typ	I_F (mA)	typ			I_F (mA)
SID1010CM	Clear	1.3	1.5	50	10	5	130	(Constant voltage) $V_{CC}=3\text{V}$ $R=2.2\Omega$	940	50	50	50	GaAs	7.6 ± 0.2
SID1K10CM	Clear	1.3	1.5	50	10	5	200		940	50	50	50		
SID1010CXM	Clear	1.3	1.5	50	10	5	60		940	50	50	50		
SID1K10CXM	Clear	1.3	1.5	50	10	5	110		940	50	50	50		6.9 ± 0.2