

Signetics

SCN2674/SCN2674T Advanced Video Display Controller (AVDC)

Product Specification

Microprocessor Products

DESCRIPTION

The Signetics SCN2674 Advanced Video Display Controller (AVDC) is a programmable device designed for use in CRT terminals and display systems that employ raster scan techniques. The AVDC generates the vertical and horizontal timing signals necessary for the display of interlaced or non-interlaced data on a CRT monitor. It provides consecutive addressing to a user-specified display buffer memory domain and controls the CPU display buffer interface for various buffer configuration modes. A variety of operating modes, display formats, and timing profiles can be implemented by programming the control registers in the AVDC.

A minimum CRT terminal system configuration consists of an AVDC, a Keyboard and Communication Controller, a Display Character and Graphics Generator, an SCB2675 Color/Monochrome Attributes Controller (CMAC), a single-chip microcomputer such as the 8048, a display buffer RAM, and a small amount of TTL for miscellaneous address decoding, interface, and control. Typically, the package count for a minimum system is between 15 and 20 devices; system complexity can be enhanced by upgrading the microprocessor and expanding via the system address and data buses.

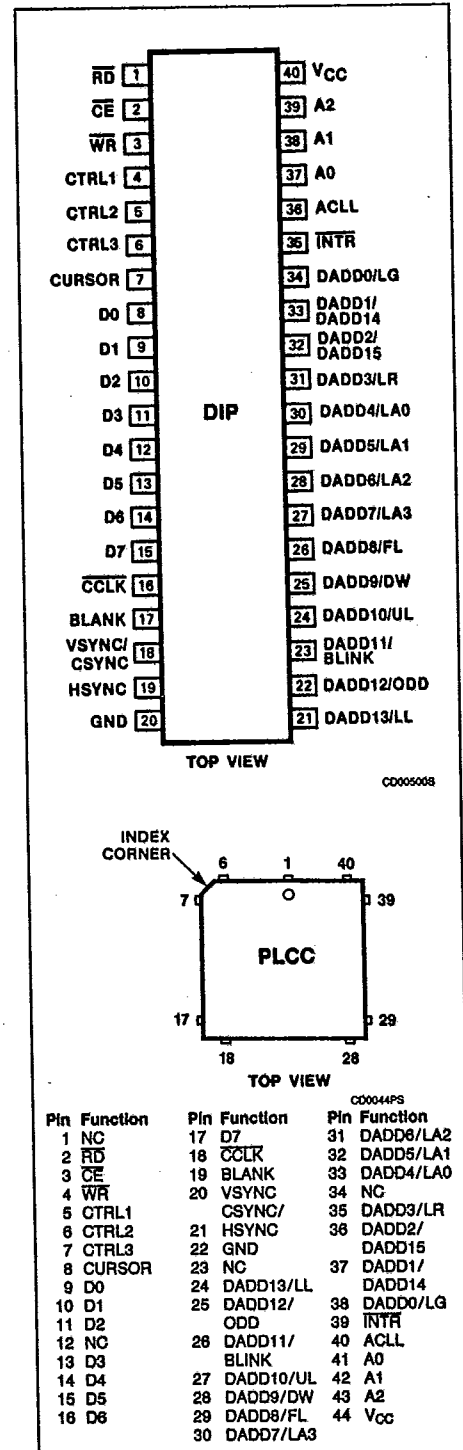
FEATURES

- 5.5MHz and 4MHz character rates
- 1 to 256 characters per row
- 1 to 16 raster lines per character row
- 1 to 128 character rows per frame
- Bit-mapped graphics mode
- Programmable horizontal and vertical sync generators
 - RS-170 compatible sync
- Interlaced or non-interlaced operation
- Up to 64k RAM addressing for multiple page operation
- Readable, writable and incrementable cursor
 - Programmable cursor size and blink
- AC line lock
- Automatic wraparound of RAM
- Automatic split screen
- Automatic bidirectional soft scrolling
 - Programmable scan line increment
- Row table addressing mode
- Double height tops and bottoms
- Double width control output
- Selectable buffer interface modes
- Dynamic RAM refresh
- Completely TTL compatible
- Single +5V power supply
- Power-on reset circuit

APPLICATIONS

- CRT terminals
- Word processing systems
- Small business computers
- Home computers

PIN CONFIGURATIONS



8004-9335

853-1074 89870

Advanced Video Display Controller (AVDC)

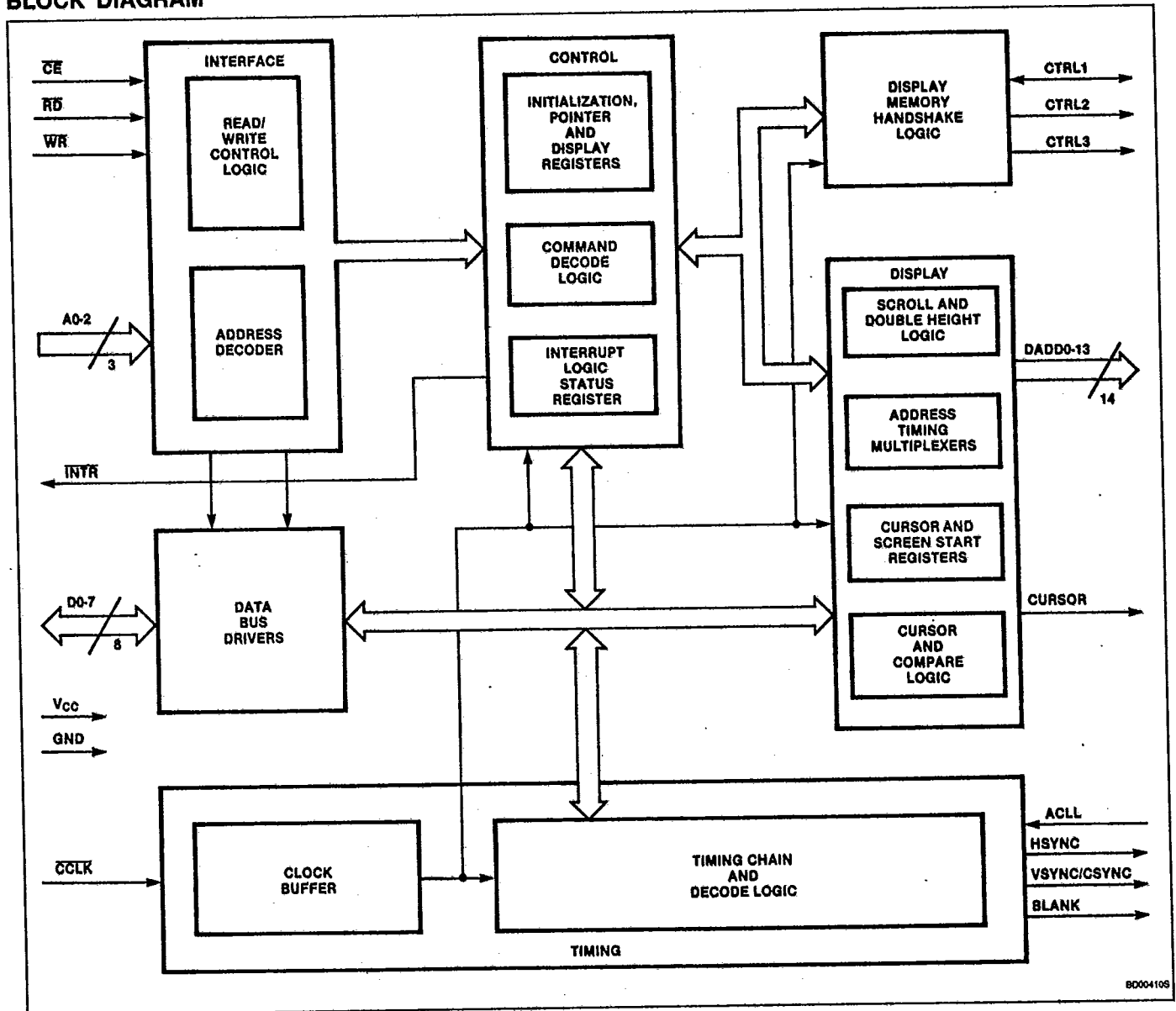
SCN2674/SCN2674T

T-52-33-47

ORDERING INFORMATION

PACKAGES	V _{CC} = +5V ± 10%, T _A = 0°C to +70°C	
	4MHz	5.5MHz
Ceramic DIP	SCN2674BC4I40	SCN2674TC5I40
Plastic DIP	SCN2674BC4N40	SCN2674TC5N40
Plastic LCC	SCN2674BC4A44	SCN2674TC5A44

BLOCK DIAGRAM



8000410S

Advanced Video Display Controller (AVDC)

SCN2674/SCN2674T

T-52-33-47

PIN DESCRIPTION

MNEMONIC	PIN NO.		TYPE	NAME AND FUNCTION
	DIP	PLCC		
A0 - A2	37 - 39	41 - 43	I	Address Lines: Used to select AVDC internal registers for read/write operations and for commands.
D0 - D7	8 - 15	9 - 11, 13 - 17	I/O	8-Bit Bidirectional Three-State Data Bus: Bit 0 is the LSB and bit 7 is the MSB. All data, command, and status transfers between the CPU and the AVDC take place over this bus. The direction of the transfer is controlled by the \overline{RD} and \overline{WR} inputs when the \overline{CE} input is Low. When the \overline{CE} input is High, the data bus is in the 3-State condition.
\overline{RD}	1	2	I	Read Strobe: Active-Low input. A Low on this pin while \overline{CE} is Low causes the contents of the register selected by A0 - A2 to be placed on the data bus. The read cycle begins on the leading (falling) edge of \overline{RD} .
\overline{WR}	3	4	I	Write Strobe: Active-Low input. A Low on this pin while \overline{CE} is also Low causes the contents of the data bus to be transferred to the register selected by A0 - A2. The transfer occurs on the trailing (rising) edge of \overline{WR} .
\overline{CE}	2	3	I	Chip Enable: Active-Low input. When Low, data transfers between the CPU and the AVDC are enabled on D0 - D7 as controlled by the \overline{WR} , \overline{RD} , and A0 - A2 inputs. When \overline{CE} is High, effectively, the AVDC is isolated from the data bus and D0 - D7 are placed in the 3-State condition.
\overline{CLK}	16	18	I	Character Clock: Timing signal derived from the video dot clock which is used to synchronize the AVDC's timing functions.
HSYNC	19	21	O	Horizontal Sync: Active-High output which provides video horizontal sync pulses. The timing parameters are programmable.
VSYNC/ CSYNC	18	20	O	Vertical Sync/Composite Sync: A control selects either vertical or composite sync pulses on this active-High output. When CSYNC is selected, equalization pulses are included. The timing parameters are programmable.
BLANK	17	19	O	Blank: This active-High output defines the horizontal and vertical borders of the display. Display control signals which are output on DADD0 through DADD13 are valid on the trailing edge of BLANK.
CURSOR	7	8	O	Cursor Gate: This output becomes active for a specified number of scan lines when the address contained in the cursor register matches the address output on DADD0 through DADD13 for displayable character addresses. The first and last lines of the cursor and a blink option are programmable. When the row table addressing mode is enabled, this output is active for a portion of the blanking interval prior to the first scan line of a character row, while the AVDC is fetching the starting address for that row.
\overline{INTR}	35	39	O	Interrupt Request: Open drain output which supplies an active-Low interrupt request from any of five maskable sources. This pin is inactive after a power on reset or a master reset command.
ACLL	36	40	I	AC Line Lock: If this input is low after the programmed vertical front porch interval, the vertical front porch will be lengthened by increments of horizontal scan line times until this input goes High. This input should be pulled High if not being used.
CTRL1	4	5	I/O	Handshake Control 1: In independent mode, provides an active-Low write data buffer (\overline{WDB}) output which strobes data from the interface latch into the display memory. In transparent and shared modes, this is an active-Low processor bus request (\overline{PBREQ}) input which indicates that the CPU desires to access the display memory.
CTRL2	5	6	O	Handshake Control 2: In independent mode, provides an active-Low read data buffer (\overline{RDB}) output which strobes data from the display memory into the interface latch. In transparent and shared modes, this is an active-Low bus external enable (\overline{BEXT}) output which indicates that the AVDC has relinquished control of the display memory (DADD0 - DADD13 are in the 3-State condition) in response to a CPU bus request. \overline{BEXT} also goes Low in response to a 'display off and float DADD' command. In row buffer mode, it is an active-Low bus request (\overline{BREQ}) output which halts the CPU during a line DMA.

Advanced Video Display Controller (AVDC)

SCN2674/SCN2674T

T-52-33-47

PIN DESCRIPTION (Continued)

MNEMONIC	PIN NO.		TYPE	NAME AND FUNCTION
	DIP	PLCC		
CTRL3	6	7	O	Handshake Control 3: In independent mode, provides the active-Low buffer chip enable (BCE) signal to the display memory. In transparent and shared modes, provides an active-Low bus acknowledge (BACK) output which serves as a ready signal to the CPU in response to a processor bus request. In row buffer mode, this is an active-High memory bus control (MBC) output which configures the system for the DMA transfer of one row of character codes from system memory to the row display buffer.
DADD0 - DADD13	34-21	38 - 35, 33 - 24	O	Display Address: Used by the AVDC to address up to 16k of display memory directly, or up to 64k of memory by demultiplexing DADD14 and DADD15. These outputs are floated at various times depending on the buffer mode. Various control signals are multiplexed on DADD0 through DADD13 and are valid at the trailing edge of BLANK. These control signals are: DADD0/LG Line Graphics: Output which denotes bit-mapped graphic mode. DADD1/DADD14 Display Address 14: Multiplexed address bit used to extend addressing to 64k. DADD2/DADD15 Display Address 15: Multiplexed address bit used to extend addressing to 64k. DADD3/LR Last Row: Output which indicates the last active character row of each field. DADD4 - DADD7/LA0 - LA3 Line Address: Provides the number of the current scan line count for each character row. DADD8/FL First Line: Asserted during the blanking interval just prior to the first scan line of each character row. DADD9/DW Double Width: Output which denotes a double width character row. DADD10/UL Underline: Asserted during the blanking interval just prior to the scan line which matches the programmed underline position (lines 0 through 15). DADD11/BLINK Blink Frequency: Provides an output divided down from the vertical sync rate. DADD12/ODD Odd Field: Active-High signal which is asserted before each scan line of the odd field when interlace is specified. Replaces DADD4/LA0 as the least significant line address for interlaced sync and video applications. DADD13/LL Last Line: Asserted during the blanking interval just prior to the last scan line of each character row.
Vcc	40	44	I	Power Supply: +5V power input.
GND	20	22	I	Ground: Signal and power ground input.

FUNCTIONAL DESCRIPTION

As shown in the block diagram, the AVDC contains the following major blocks:

- Data bus buffer
- Interface Logic
- Operation Control
- Timing
- Display Control
- Buffer Control

Data Bus Buffer

The data bus buffer provides the interface between the external and internal data buses.

It is controlled by the operation control block to allow read and write operations to take place between the controlling CPU and the AVDC.

Interface Logic

The interface logic contains address decoding and read and write circuits to permit communications with the microprocessor via the data bus buffer. The functions performed by the CPU read and write operations are shown in Table 1.

Operation Control

The operation control section decodes configuration and operation commands from the CPU and generates appropriate signals to other internal sections to control the overall device operation. It contains the timing and display registers which configure the display format and operating mode, the interrupt logic, and the status register which provides operational feedback to the CPU.

Timing

The timing section contains the counters and decoding logic necessary to generate the

Advanced Video Display Controller (AVDC)

SCN2674/SCN2674T

T-52-33-47

monitor timing outputs and to control the display format. These timing parameters are selected by programming of the initialization registers.

Display Control

The display control section generates linear addressing for up to 16k bytes of display memory. Internal comparators limit the portion of the memory which is displayed to programmed values. Additional functions performed in this section include cursor positioning and address comparisons required for generation of timing signals, double-height tops and bottoms, smooth scrolling, and the split screen interrupts.

Buffer Control

The buffer control section generates three signals which control the transfer of data between the CPU and the display buffer memory. Four system configurations requiring four different 'handshaking' schemes are supported. These are described below.

SYSTEM CONFIGURATIONS

Figure 1 illustrates the block diagram of a typical display terminal using the Signetics SCN2670, SCN2671, SCN2674, and SCB2675 CRT terminal devices. In this system, the CPU examines inputs from the data communications line and the keyboard and places the data to be displayed in the display buffer memory. This buffer is typically a RAM which holds the data for a single or multiple screenload (page) or for a single character row.

The AVDC supports four common system configurations of display buffer memory: the independent, transparent, shared, and row buffer modes. The first three modes utilize a single or multiple page RAM and differ primarily in the means used to transfer display data between the RAM and the CPU. The row buffer mode makes use of a single row buffer (which can be a shift register or a small RAM) that is updated in real time to contain the appropriate display data.

The user programs bits 0 and 1 of IR0 to select the mode best suited for the system environment. The CNTRL1-3 outputs perform different functions for each mode and are named accordingly in the description of each mode.

Independent Mode

The CPU to RAM interface configuration for this mode is illustrated in Figure 2. Transfer of data between the CPU and display memory is accomplished via a bidirectional latched port and is controlled by read data buffer (\overline{RDB}), write data buffer (\overline{WDB}), and buffer chip enable (\overline{BCE}). This mode provides a noncontention type of operation that does not require address multiplexers. The CPU does not

Table 1. AVDC Addressing

A2	A1	A0	READ ($\overline{RD} = 0$)	WRITE ($\overline{WR} = 0$)
0	0	0	Interrupt register	Initialization registers ¹
0	0	1	Status register	Command register
0	1	0	Screen start 1 lower register	Screen start 1 lower register
0	1	1	Screen start 1 upper register	Screen start 1 upper register
1	0	0	Cursor address lower register	Cursor address lower register
1	0	1	Cursor address upper register	Cursor address upper register
1	1	0	Screen start 2 lower register	Screen start 2 lower register
1	1	1	Screen start 2 upper register	Screen start 2 upper register

NOTE:

1. There are 15 initialization registers which are accessed sequentially via a single address. The AVDC maintains an internal pointer to these registers which is incremented after each write at this address until the last register (IR14) is accessed. The pointer then continues to point to IR14 for additional accesses. Upon a power-on or a master reset command, the internal pointer is reset to point to the first register (IR0) of the initialization register group. The internal pointer can also be preset to any register of the group via the 'load IR address pointer' command.

address the memory directly — the read or write operation is performed at the address contained in the cursor address register or the pointer address register as specified by the CPU. The AVDC enacts the data transfers during blanking intervals in order to prevent visual disturbances of the displayed data.

The CPU manages the data transfers by supplying commands to the AVDC. The commands used are:

1. Read/write at pointer address.
2. Read/write at cursor address (with optional increment of address).
3. Read/write from cursor address to pointer address.

The operational sequence for a write operation is:

1. CPU checks RDFLG status bit to assure that any delayed commands have been completed.
2. CPU loads data to be written to display memory into the interface latch.
3. CPU writes address into cursor or pointer registers.
4. CPU issues 'write at cursor with/without increment' or 'write at pointer' command.
5. AVDC generates control signals and outputs specified address to perform requested operation. Data is copied from the interface latch into the memory.
6. AVDC sets RDFLG status to indicate that the write is completed.

Similarly, a read operation proceeds as follows:

1. Steps 1 and 3 as above.
2. CPU issues 'read at cursor with/without increment' or 'read at pointer' command.
3. AVDC generates control signals and outputs specified address to perform requested operation. Data is copied from memory to the interface latch and AVDC sets RDFLG status to indicate that the read is completed.

4. CPU checks RDFLG status to see if operation is completed.

5. CPU reads data from interface latch.

Loading the same data into a block of display memory is accomplished via the 'write from cursor to pointer' command:

1. CPU checks RDFLG status bit to assure that any delayed commands have been completed.
2. CPU loads data to be written to display memory into the interface latch.
3. CPU writes beginning address of memory block into cursor address register and ending address of block into pointer address register.
4. CPU issues 'write from cursor to pointer' command.
5. AVDC generates control signals and outputs block addresses to copy data from the interface latch into the specified block of memory.
6. AVDC sets RDFLG status to indicate that the block write is completed.

Similar sequences can be implemented on an interrupt driven basis using the READY interrupt output to advise the CPU that a previously asserted delayed command has been completed.

Two timing sequences are possible for the 'read/write at cursor/pointer' commands. If the command is given during the active display window (defined as first scan line of the first character row to the last scan line of the last character row), the operation takes place during the next horizontal blanking interval, as illustrated in Figure 3. If the command is given during the vertical blanking interval, or while the display has been commanded blanked, the operation takes place immediately. In the latter case, the execution time for the command is approximately five character clocks (see Figure 4).

Advanced Video Display Controller (AVDC)

SCN2674/SCN2674T

T-52-33-47

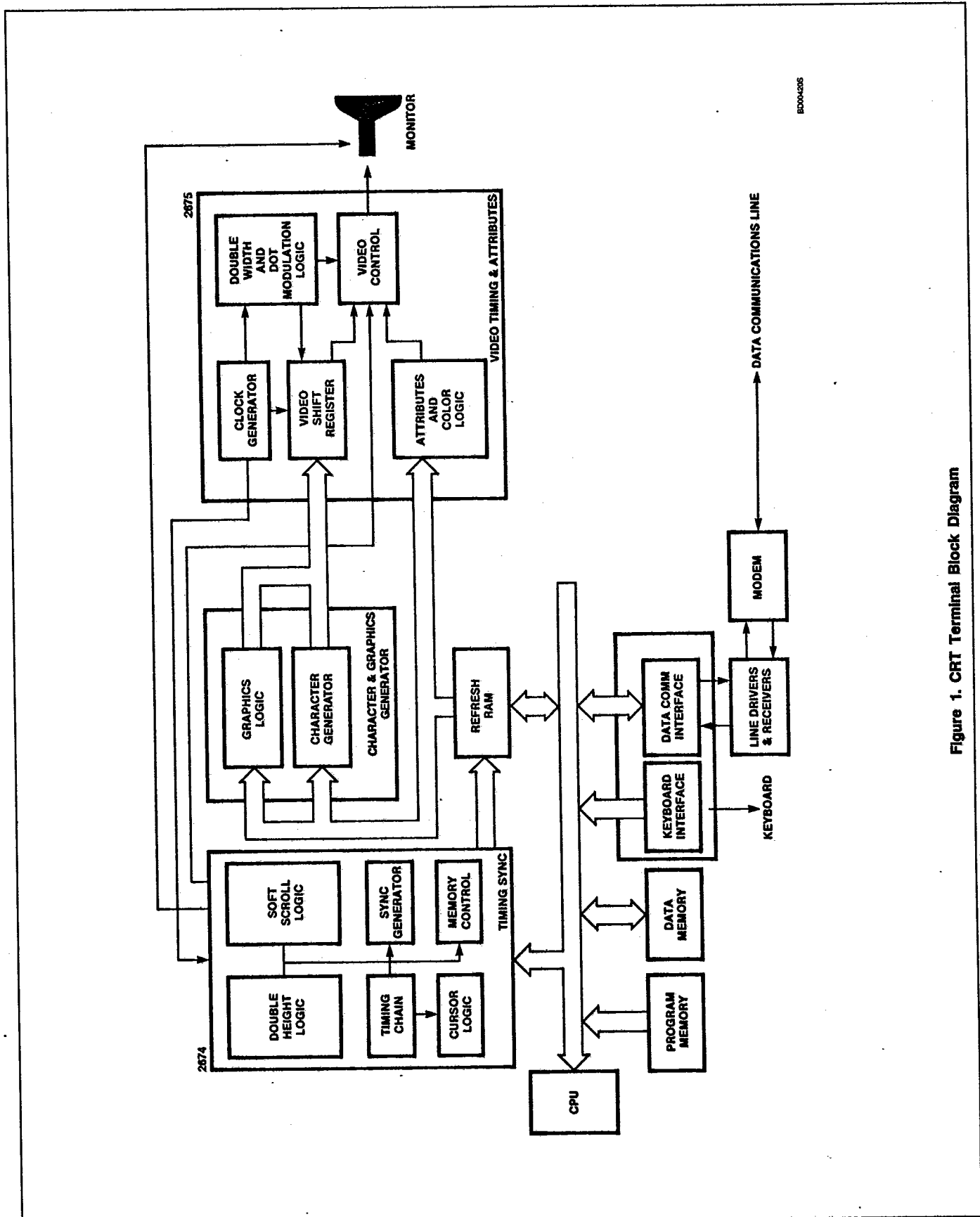


Figure 1. CRT Terminal Block Diagram

NAPC/ SIGNETICS

Advanced Video Display Controller (AVDC)

SCN2674/SCN2674T

T-52-33-47

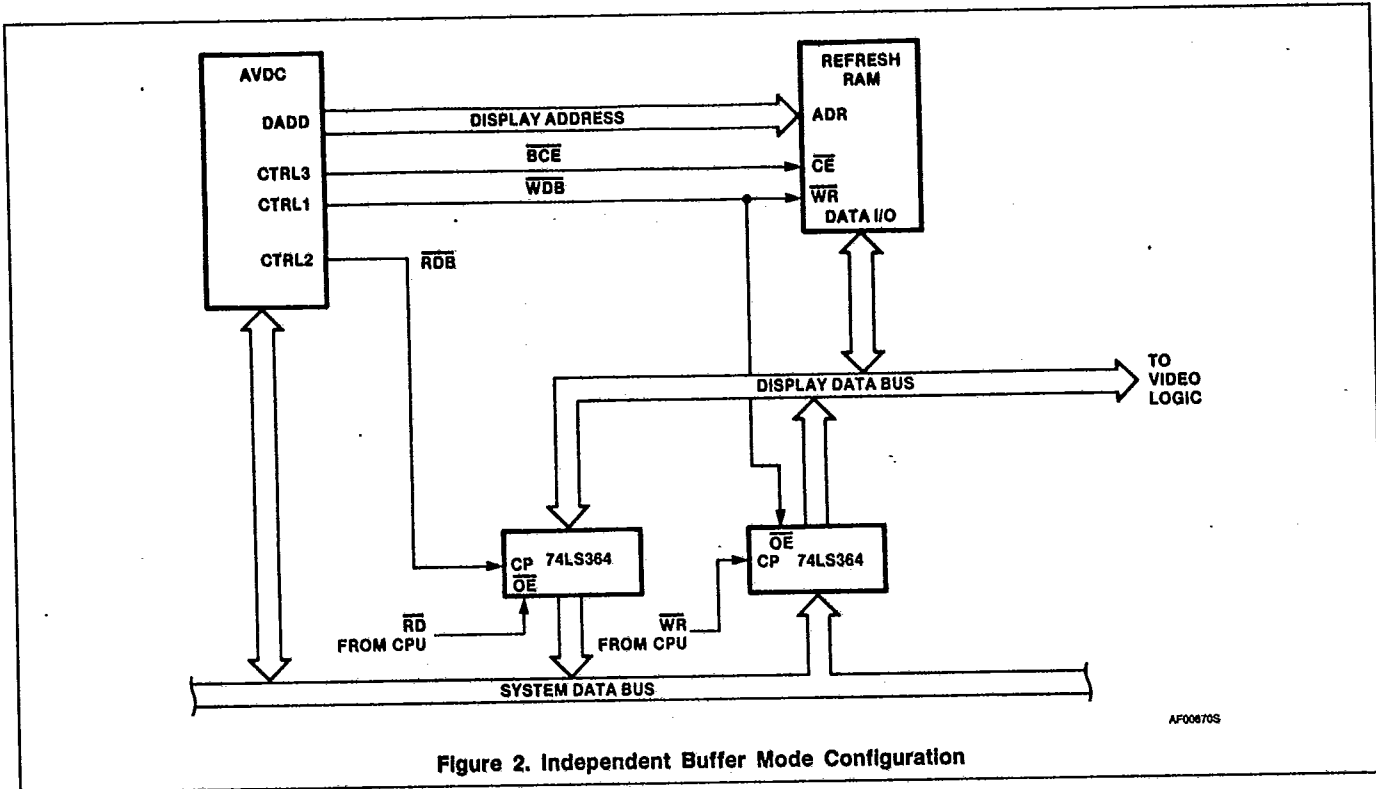
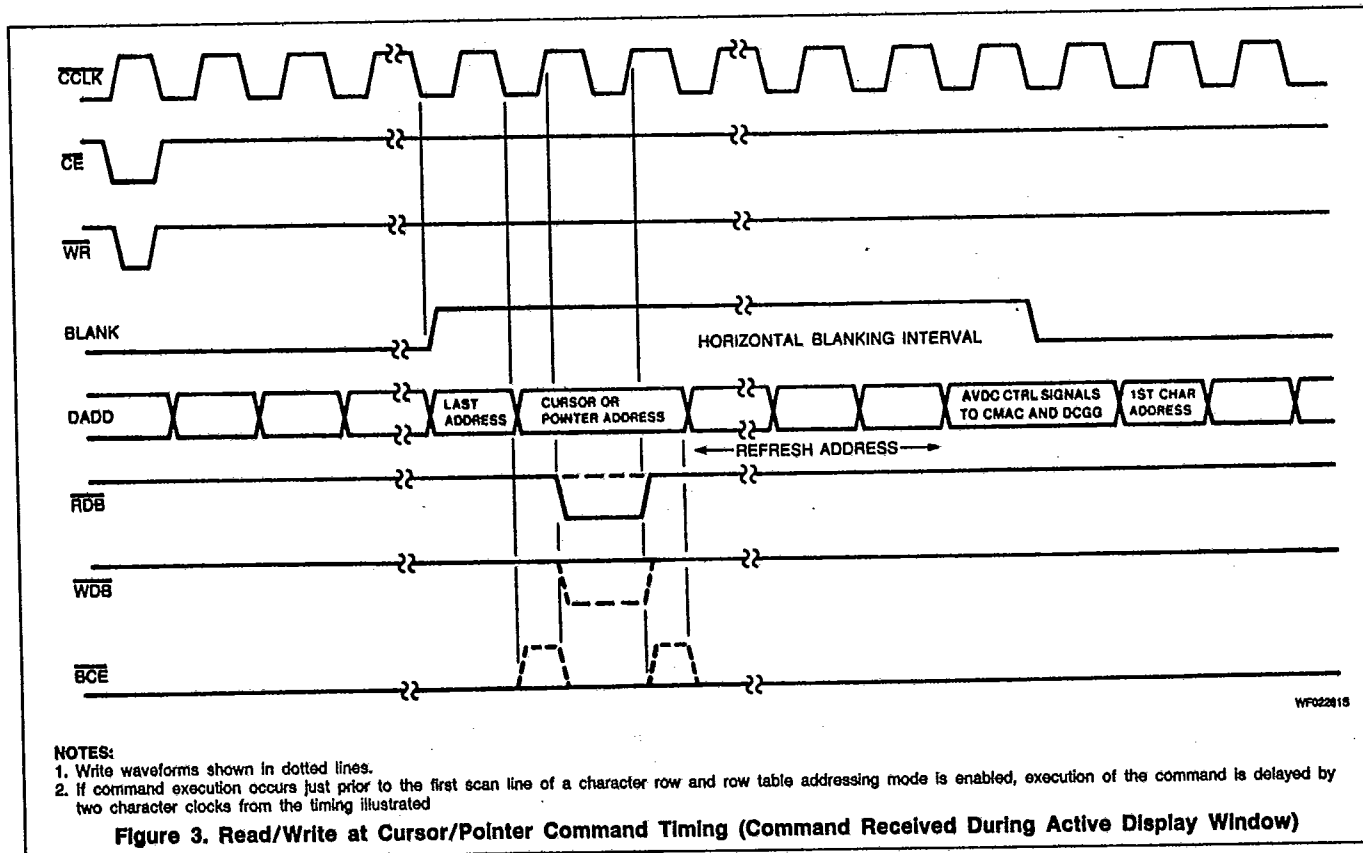


Figure 2. Independent Buffer Mode Configuration



NOTES:

1. Write waveforms shown in dotted lines.
2. If command execution occurs just prior to the first scan line of a character row and row table addressing mode is enabled, execution of the command is delayed by two character clocks from the timing illustrated

Figure 3. Read/Write at Cursor/Pointer Command Timing (Command Received During Active Display Window)

NAPC/ SIGNETICS

Advanced Video Display Controller (AVDC)

SCN2674/SCN2674T

T-52-33-47

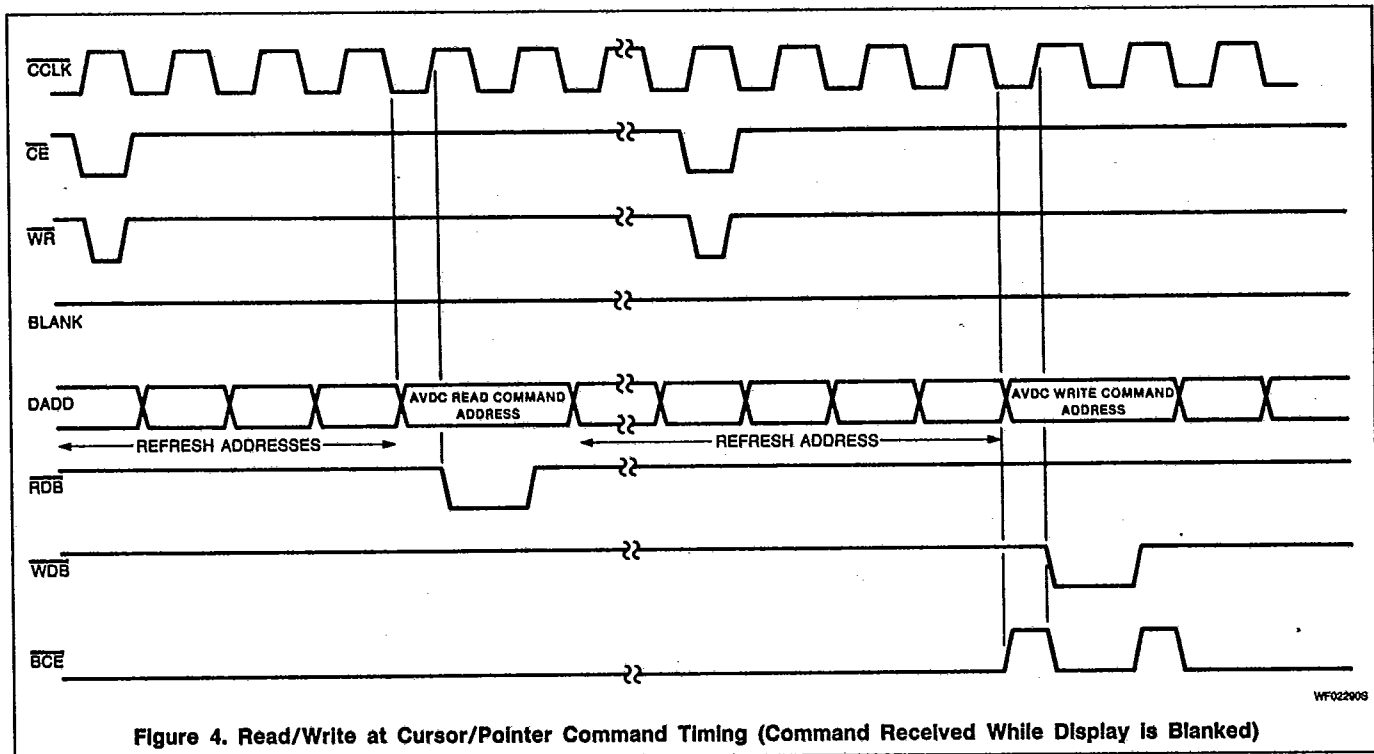


Figure 4. Read/Write at Cursor/Pointer Command Timing (Command Received While Display Is Blanked)

WF022909

Timing for the 'read/write from cursor to pointer' operation is shown in Figure 5. The memory is filled at a rate of one location per two character times. The command will execute only during blanking intervals and may require many horizontal or vertical blanking intervals to complete. Additional delayed commands can be asserted immediately after this command has completed.

Immediate commands can be asserted at any time regardless of the state of the ready status/interrupt.

Shared and Transparent Buffer Modes

In these modes, the display buffer RAM is a part of the CPU memory domain and is addressed directly by the CPU. Both modes use the same hardware configuration with the CPU accessing the display buffer via 3-State drivers (see Figure 6). The processor bus request (PBREQ) control signal informs the AVDC that the CPU is requesting access to the display buffer. In response to this request, the AVDC raises bus acknowledge (BACK) until its bus external (BEXT) output has freed the display address and data buses for CPU access. BACK, which can be used as a 'hold' input to the CPU, is then lowered to indicate that the CPU can access the buffer.

In transparent mode, the AVDC delays the granting of the buffer to the CPU until a

vertical or horizontal blanking interval, thereby causing minimum disturbance of the display. In shared mode, the AVDC will blank the display and grant immediate access to the CPU. Timing for these modes is illustrated in Figures 7, 8, and 9.

Row Buffer Mode

Figures 10 and 11 show the timing and a typical hardware implementation for the row buffer mode. During the first scan line (line 0) of each character row, the AVDC halts the CPU and DMAs the next row of character data from the system memory to the row buffer memory. The AVDC then releases the CPU and displays the row buffer data for the programmed number of scan lines. The control signal BREQ informs the CPU that character addresses and the MBC signal will start at the next falling edge of BLANK. The CPU must release the address and data buses before this time to prevent bus contention. After the row of character data is transferred to the row buffer RAM, BREQ returns high to grant memory control back to the CPU.

Row Table Addressing Mode

In this mode, each character row in the screen image memory has a unique starting address. This provides greater flexibility with respect to screen operations, such as editing, than the sequential addressing mode. The row table, Figure 12, is a list of starting

addresses for each character row and may reside anywhere in the AVDC's addressable memory space. Each entry in the table consists of two bytes: the first byte contains the 8 LSBs of the row starting address and the second byte contains, in its 6 least significant bits, the 6 MSBs of the row starting address. The function of the two MSBs of the second byte is selected by programming IR0[7]. They may be used either as row attribute bits to control double width and double height for that character row, or as an additional two address bits to extend the usable display memory to 64k.

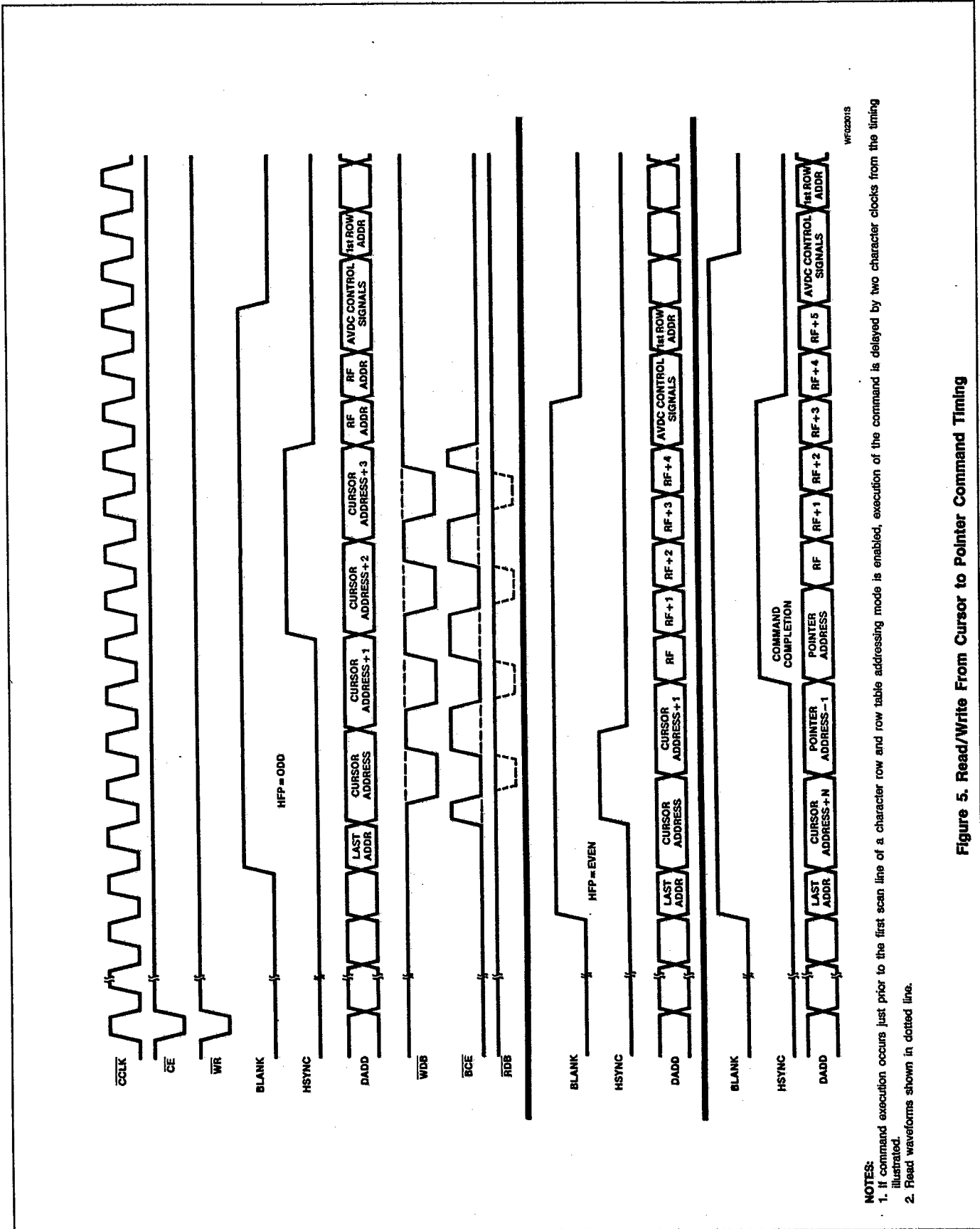
The first address of the row table is designated in screen start register two (SSR2). If row table addressing is enabled via IR2[7], and the display is on, the AVDC fetches the next row's starting address from the table during the blanking interval prior to the first scan line of each character row, while simultaneously incrementing the contents of SSR2 by two so as to point to the next table entry. The fetching of the row starting address from the row table is indicated by the assertion of the CURSOR output during BLANK. The address read from the table by the AVDC is loaded into screen start register 1 (SSR1) for use internally. Since the contents of SSR2 changes as the table entries are fetched, it must be re-initialized to point to the first table entry during each vertical retrace interval.

Advanced Video Display Controller (AVDC)

SCN2674/SCN2674T

NAPC/ SIGNETICS

T-52-33-47



NOTES:

1. If command execution occurs just prior to the first scan line of a character row and row table addressing mode is enabled, execution of the command is delayed by two character clocks from the timing illustrated.
2. Read waveforms shown in dotted line.

Figure 5. Read/Write From Cursor to Pointer Command Timing

Advanced Video Display Controller (AVDC)

SCN2674/SCN2674T

NAPC/ SIGNETICS

T-52-33-47

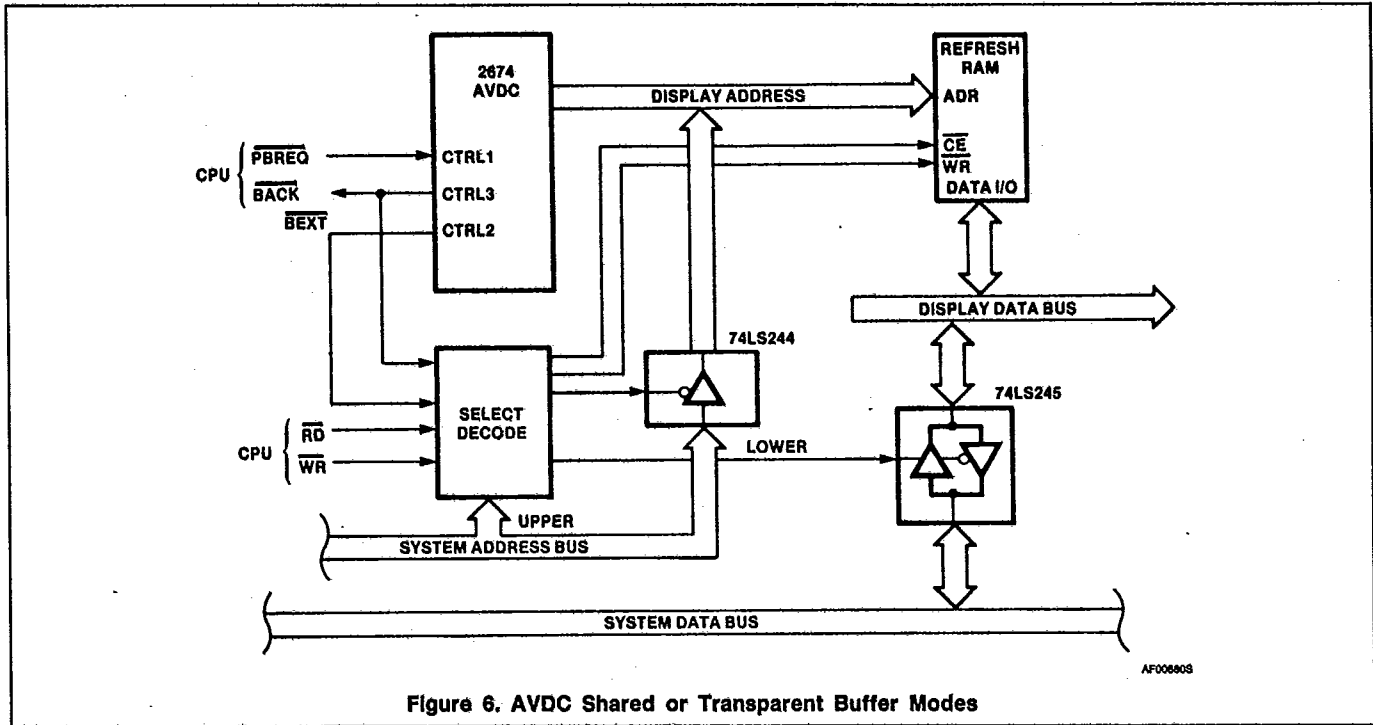
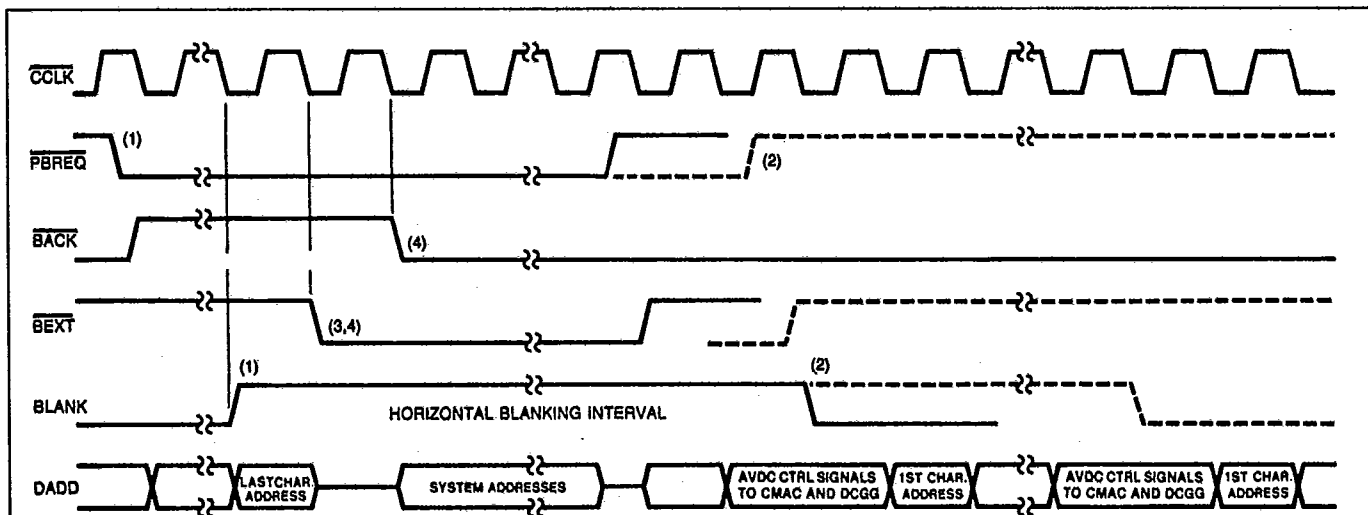


Figure 6. AVDC Shared or Transparent Buffer Modes



WF023118

NOTES:

1. PBREQ must be asserted prior to the rising edge of BLANK in order for sequence to begin during that blanking period.
2. If PBREQ is negated after the next to last CCLK of the horizontal blanking interval, the next scan line will also be blanked.
3. Accesses during vertical blank or "display off" are granted only at the beginning of the horizontal front porch.
4. If row table addressing is enabled, CPU access is delayed by two character clocks prior to the first scan line of each character row.

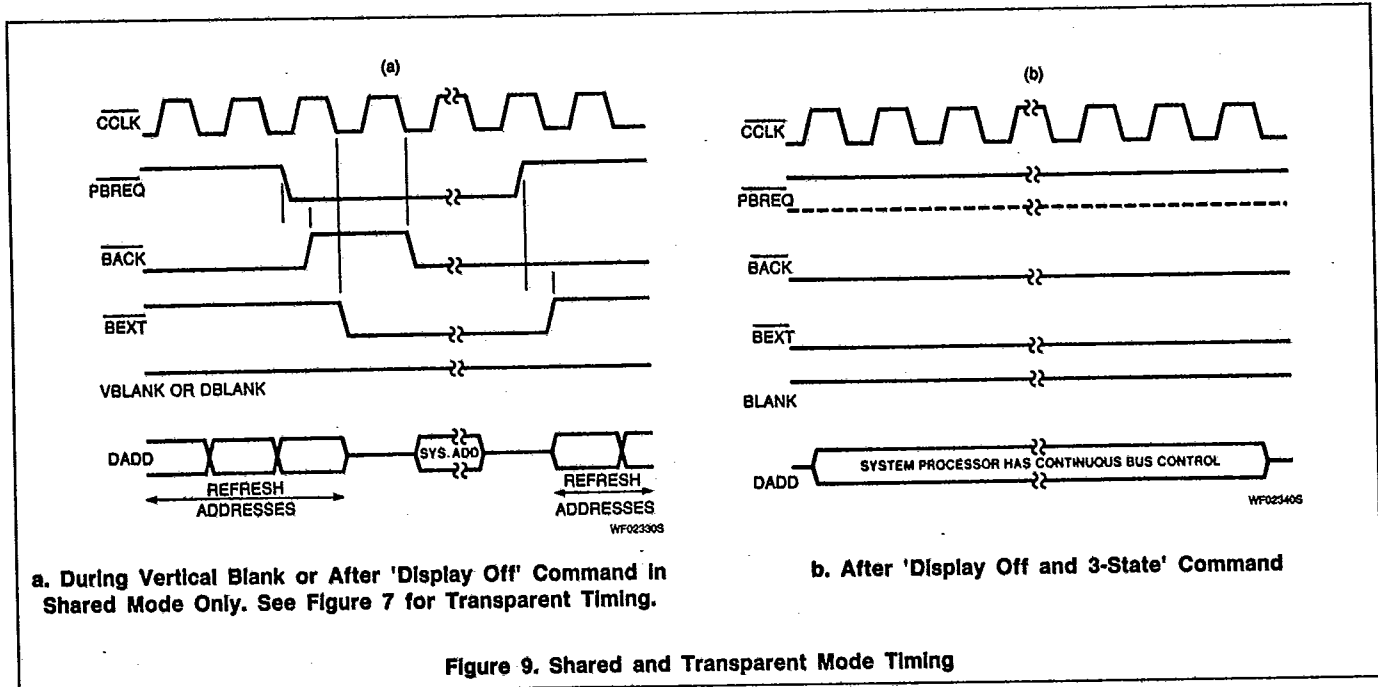
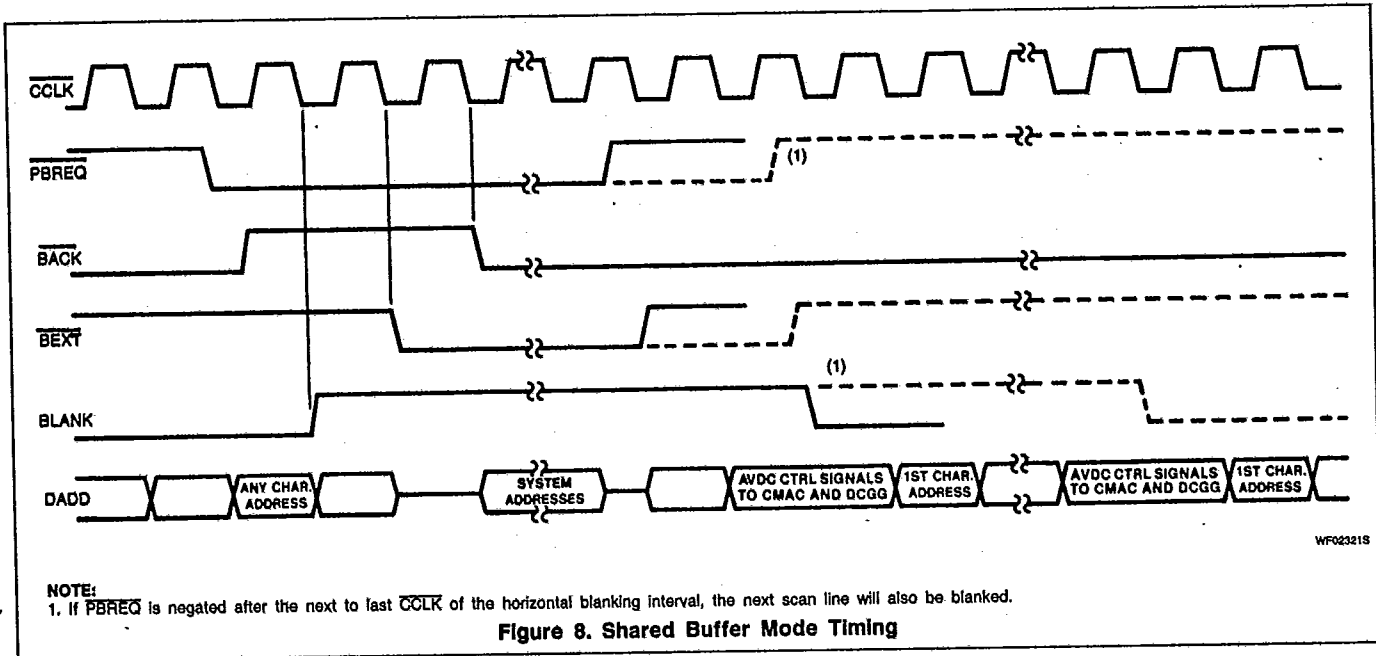
Figure 7. Transparent Buffer Mode Timing

Advanced Video Display Controller (AVDC)

SCN2674/SCN2674T

T-52-33-47

NAPC/ SIGNETICS



Advanced Video Display Controller (AVDC)

SCN2674/SCN2674T

NAPC/ SIGNETICS

T-52-33-47

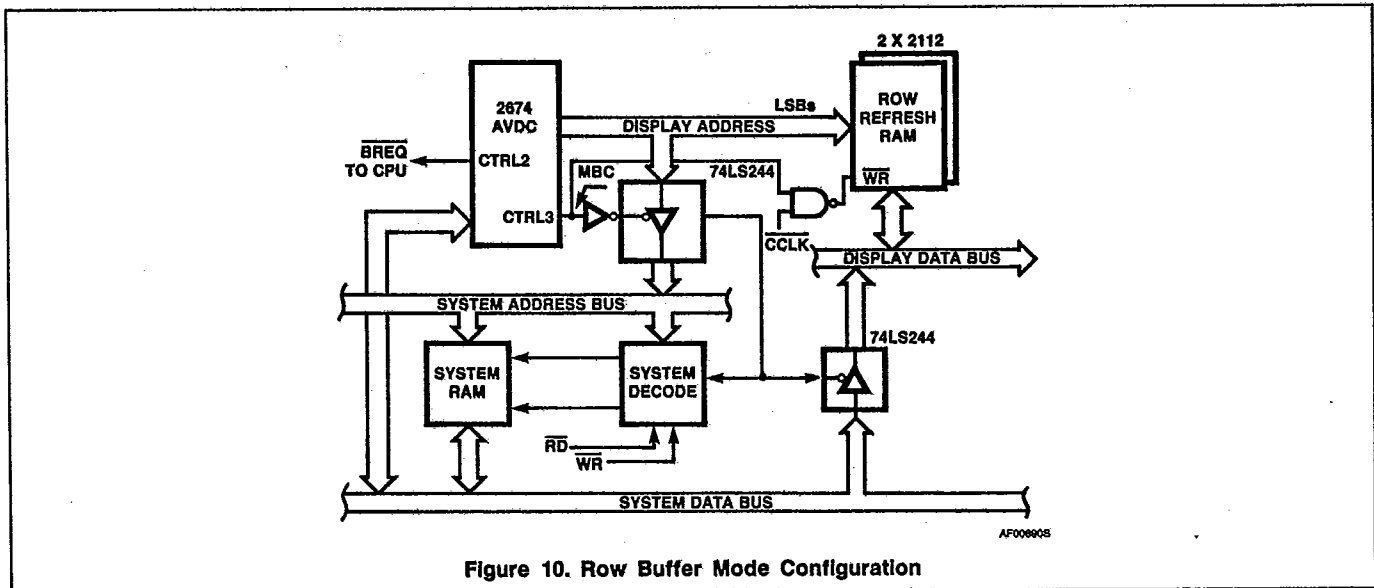
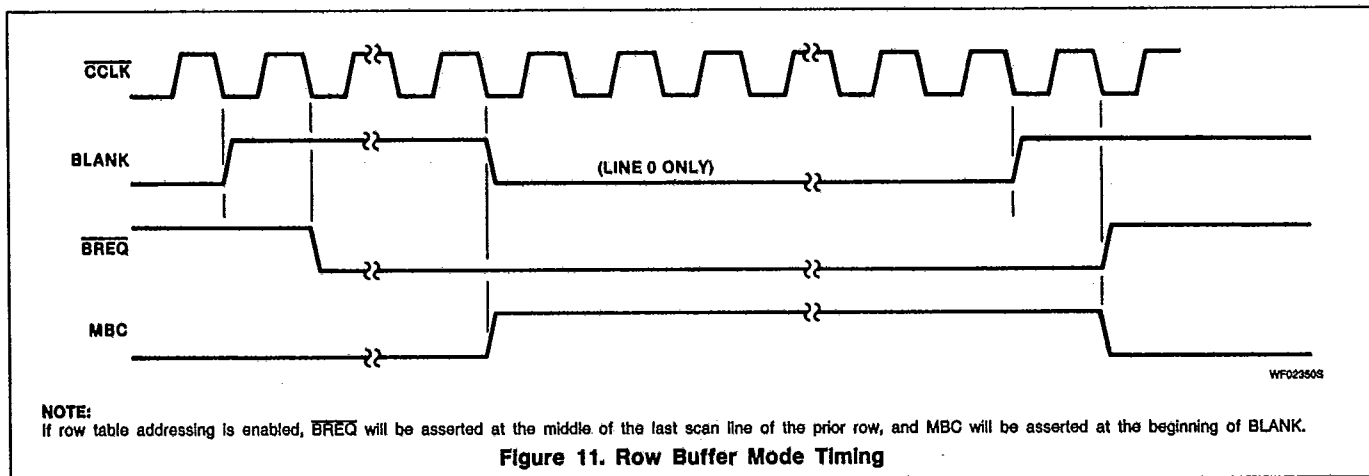


Figure 10. Row Buffer Mode Configuration



NOTE: If row table addressing is enabled, BREQ will be asserted at the middle of the last scan line of the prior row, and MBC will be asserted at the beginning of BLANK.

Figure 11. Row Buffer Mode Timing

Row table addressing is intended primarily for use in conjunction with the row buffer mode of operation and requires no additional circuitry in that case. It may also be used with the independent and transparent buffer modes, but circuitry must be added to route the data from the display memory to the data bus inputs of the AVDC. Additionally, when not operating in row buffer mode, care must be taken to assure that the CPU does not attempt to access the AVDC while it is reading the row table. One way of preventing this is to latch the last line output which is multiplexed on DADD13 and to test this latch prior to reading or writing the AVDC. The

AVDC should only be accessed if the latch is low, indicating that the last line of the row is not active.

Figure 13 illustrates a typical hardware implementation for use in conjunction with independent and transparent modes, and Figure 14 shows the timing for row table operation.

OPERATION

After power is applied, the AVDC will be in an inactive state. Two consecutive 'master reset' commands are necessary to release this circuitry and ready the AVDC for operation. Two register groups exist within the AVDC:

the initialization registers and the display control registers. The initialization registers select the system configuration, monitor timing, cursor shape, display memory domain, pointer address, scrolling region, double height and width condition, and screen format. These are loaded first and normally require no modification except for certain special visual effects. The display control registers specify the memory address of the base character (upper left corner of screen), the cursor position, and the split screen addresses associated with the scrolling area or an alternate memory. These may require modification during operation.

Advanced Video Display Controller (AVDC)

SCN2674/SCN2674T

NAPC/ SIGNETICS

T-52-33-47

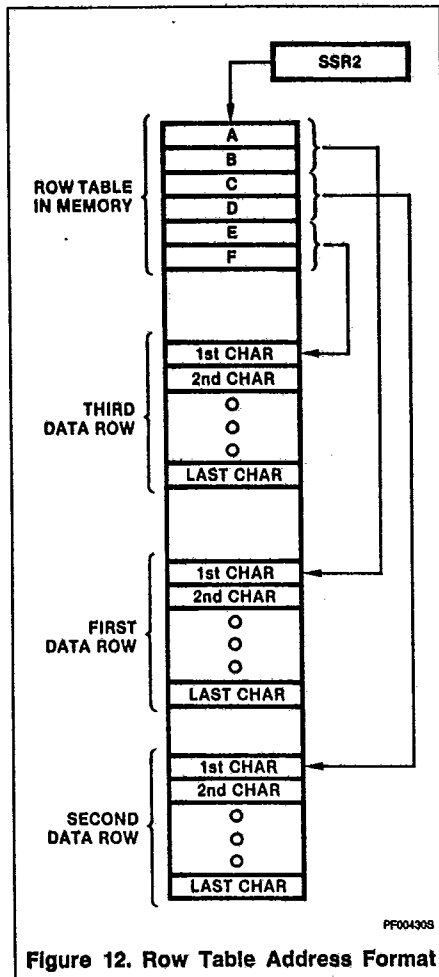


Figure 12. Row Table Address Format

After initial loading of the two register groups, the AVDC is ready to control the monitor screen. Prior to executing the AVDC commands which turn on the display and cursor, the user should load the display memory with the first data to be displayed. During operation, the AVDC will sequentially address the display memory within the limits programmed into its registers. The memory outputs character codes to the system character and graphics generation logic, where they are converted to the serial video stream necessary to display the data on the CRT. The user effects changes to the display by modifying the contents of the display memory, the AVDC display control and command registers, and the initialization registers, if required. Interrupts and status conditions generated by the AVDC supply the 'handshaking' information necessary for the CPU to effect real-time display changes in the proper time frame if required.

Initialization Registers

There are 15 initialization registers (IR0 - IR14) which are accessed sequentially via a single address. The AVDC maintains an internal pointer to these registers which is incremented after each write at this address until the last register (IR14) is accessed. The pointer then continues to point to IR14 for further accesses. Upon a power-on or a master reset command, the internal pointer is reset to point to the first register (IR0) of the initialization register group. The internal pointer can also be preset to any register of the group via the 'load IR address pointer' command. These registers are write only and are used to specify parameters such as the system configuration, display format, cursor shape, and monitor timing. Register formats are shown in Table 2.

IR0[7] — Double Height/Width Enable

When this bit is set, the value in IR14[7:6] is used to control the double height and width conditions of each character row. Assertion of this bit also allows IR14[7:6] to be programmed in two ways:

1. By the CPU writing to IR14 directly.
2. When the contents of screen start register 1 (SSR1) upper are changed, either by the CPU writing to this register or by the automatic loading of SSR1 when operating in row table mode, the two MSBs of SSR1 upper are copied into IR14[7:6]. Thus, the MSBs of each row table entry can be used to control double height and double width attributes on a row by row basis.

IR14[5:4] are not active when this bit is set. When this bit is reset, the double height and width attributes operate as described in IR[14].

IR0[6:3] — Scan Lines Per Character Row

Both interlaced and non-interlaced scanning are supported by the AVDC. For interlaced mode, two different formats can be implemented, depending on the interconnection between the AVDC and the character generator (see IR1[7]). This field defines the number of scan lines used to compose a character row for each technique. As scanning occurs, the scan line count is output on the LA0 - LA3 and ODD pins.

IR0[2] — VSYNC/CSYNC Enable

This bit selects either vertical sync pulses or composite sync pulses on the VSYNC/CSYNC output (pin 18). The composite sync waveform conforms to EIA RS-170 stan-

dards, with the vertical interval composed of six equalizing pulses, six vertical sync pulses, and six more equalizing pulses.

IR0[1:0] — Buffer Mode Select

Four buffer memory modes may be selectively enabled to accommodate the desired system configuration. (See System Configurations).

IR1[7] — Interlace Enable

Specifies interlaced or non-interlaced timing operation. Two modes of interlaced operation are available, depending on whether LA0 - LA3 or ODD, LA0 - LA2 are used as the line address for the character generator. The resulting displays are shown in Figure 15.

For 'interlaced sync' operation, the same information is displayed in both odd and even fields, resulting in enhanced readability. The AVDC outputs successive line numbers in ascending order on the LA0 - LA3 lines, one per scan line for each field.

The 'interlaced sync and video' format doubles the character density on the screen. The AVDC outputs successive line numbers in ascending order on the ODD and LA0 - LA2 lines, one per scan line for each field. The number of scan lines per character row is always even. Assume that the first character row is row 0 (even). When scanning through the odd field, the scan line numbers being displayed are odd for both the even and odd character rows. When scanning through the even field, the scan line numbers being displayed are even for both even and odd character rows (see Figure 15).

IR1[6:0] — Equalizing Constant

This field indirectly defines the horizontal front porch and is used internally to generate the equalizing pulses for the RS-170 compatible CSYNC. The value for this field is the total number of character clocks (CCLKs) during a horizontal line period divided by two, minus two times the number of character clocks in the horizontal sync pulse:

$$EC = \frac{H_{ACT} + H_{FP} + H_{SYNC} + H_{BP}}{2} - 2(H_{SYNC})$$

The definition of the individual parameters is illustrated in Figure 16. The minimum value of H_{FP} is three character clocks, four CCLKs for row table addressing. Note that when using the 2675 CMAC, it will delay the blank pulse three CCLKs relative to the H_{SYNC} pulse. Because of this delay, the actual H_{FP} and H_{BP} values will be different from the values programmed into the AVDC. The actual H_{FP} will be decreased by 3 character clocks. The actual H_{BP} will be increased by 3 character clocks.

Advanced Video Display Controller (AVDC)

SCN2674/SCN2674T

NAPC/ SIGNETICS

T-52-33-47

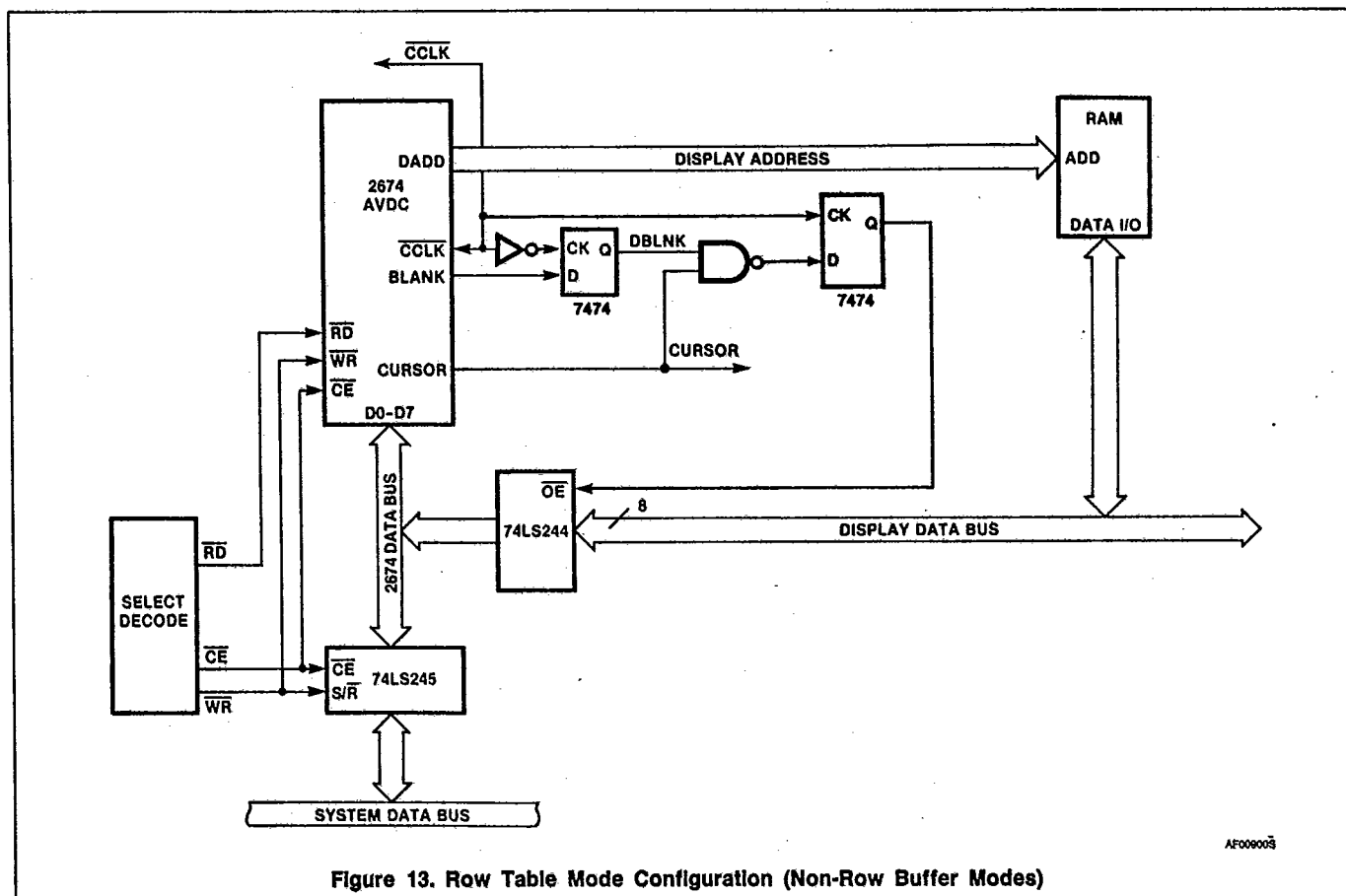


Figure 13. Row Table Mode Configuration (Non-Row Buffer Modes)

IR2[7] — Row Table Mode Enable

Assertion/negation of this bit causes the AVDC to begin/terminate operating in row table mode starting at the next character row. See Row Table Addressing Mode section. By using the split interrupt capability of the AVDC, this mode can be enabled and disabled on a particular character row. This allows a combination of row table and sequential addressing to be utilized to provide maximum flexibility in generating the display.

IR2[6:3] — Horizontal Sync Pulse Width

This field specifies the width of the HSYNC pulse in CCLK periods.

IR2[2:0] — Horizontal Back Porch

This field defines the number of CCLKs between the trailing edge of HSYNC and the trailing edge of BLANK.

IR3[7:5] — Vertical Front Porch

Specifies the number of scan line periods between the rising edges of BLANK and VSYNC during the vertical retrace interval. The vertical front porch will be extended in

increments of scan lines if the ACLL input is low at the end of the programmed value.

IR3[4:0] — Vertical Back Porch

This field determines the number of scan line periods between the falling edges of the VSYNC and BLANK outputs.

IR4[7] — Character Blink Rate

Specifies the frequency for the character blink attribute timing. The blink rate can be specified as 1/64 or 1/128 of the vertical field rate. The timing signal has a duty cycle of 50% and is multiplexed onto the DADD11/BLINK output at the falling edge of each BLANK.

IR4[6:0] — Character Rows Per Screen

This field defines the number of character rows to be displayed. This value multiplied by the scan lines per character row, plus the vertical front porch, the vertical back porch values, and the vertical sync pulse width is the vertical scan period in scan lines.

IR5[7:0] — Active Characters Per Row

This field determines the number of characters to be displayed on each row of the CRT screen. The sum of this value, the horizontal front porch, the horizontal sync width, and the horizontal back porch is the horizontal scan period in CCLKs.

IR6[7:4], IR6[3:0] — First and Last Scan Line of Cursor

These two fields specify the height and position of the cursor on the character block. The 'first' line is the topmost line when scanning from the top to the bottom of the screen. The value of the 'first line of cursor' must be less than the 'last line of cursor' value.

IR7[7:6] — Vertical Sync Pulse Width

This field specifies the width of the VSYNC pulse in scan line periods.

IR7[5] — Cursor Blink Enable

This bit controls whether or not the cursor output pin will be blinked at the selected rate (IR7[4]). The blink duty cycle for the cursor is 50%.

Advanced Video Display Controller (AVDC)

SCN2674/SCN2674T

NAPC/ SIGNETICS

T-52-33-47

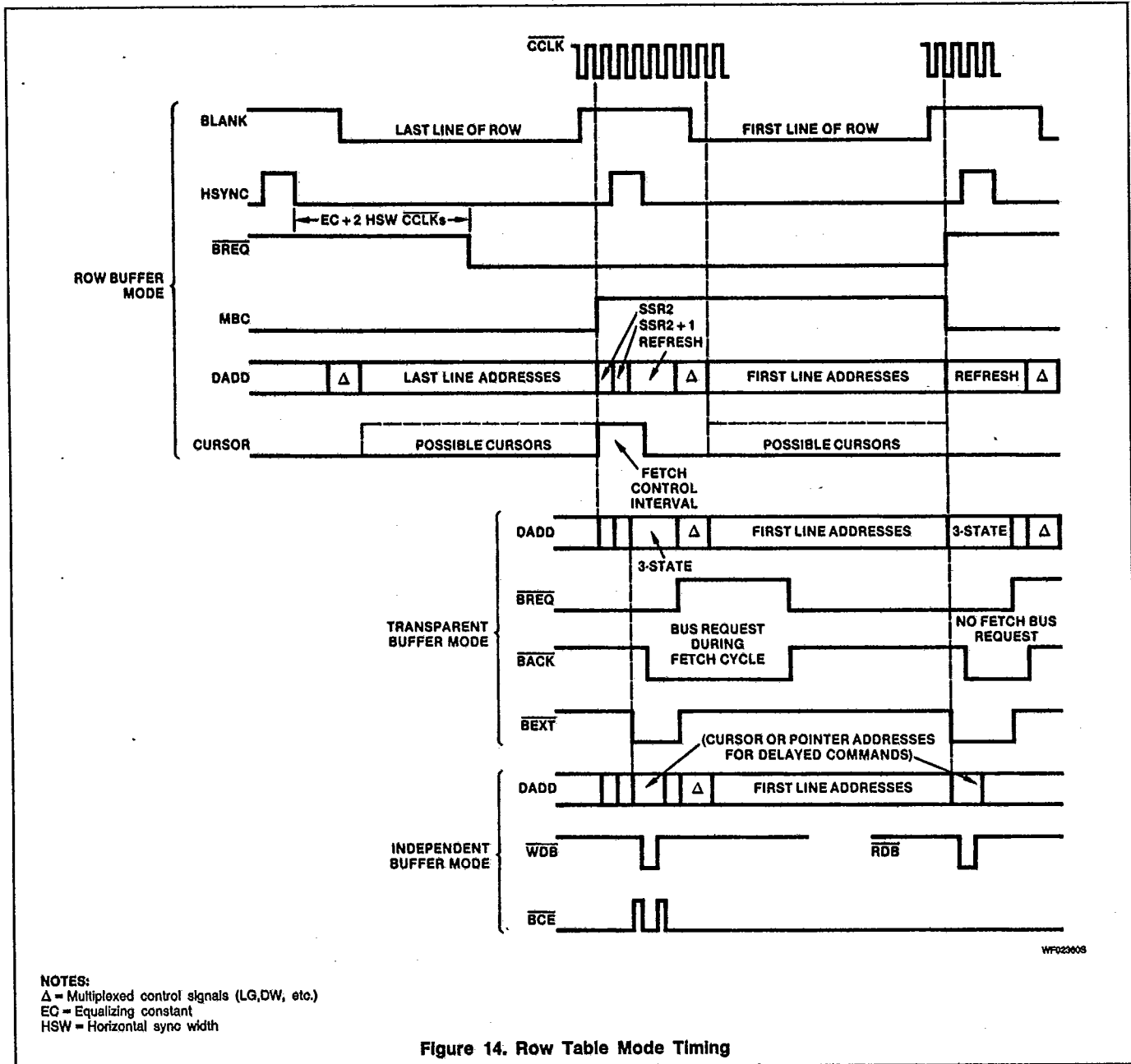


Figure 14. Row Table Mode Timing

Advanced Video Display Controller (AVDC)

SCN2674/SCN2674T

T-52-33-47

NAPC/ SIGNETICS

Table 2. Initialization Register Bit Formats

	BIT 7	BIT 6	BIT 5	BIT 4	BIT 3	BIT 2	BIT 1	BIT 0
	DOUBLE HT/WD	SCAN LINES PER CHARACTER ROW				SYNC SELECT	BUFFER MODE SELECT	
		NON-INTERLACED		INTERLACED				
IR0	0 = OFF 1 = ON	0000 = 1 LINE 0001 = 2 LINES 0010 = 3 LINES .	0000 = 2 LINES 0001 = 4 LINES 0010 = 6 LINES .	0000 = 2 LINES 0001 = 4 LINES 0010 = 6 LINES .	0000 = 2 LINES 0001 = 4 LINES 0010 = 6 LINES .	0 = VSYNC 1 = CSYNC	00 = INDEPENDENT 01 = TRANSPARENT 10 = SHARED 11 = ROW	
		1110 = 15 LINES 1111 = 16 LINES	1110 = 30 LINES 1111 = UNDEFINED	1110 = 30 LINES 1111 = UNDEFINED	1110 = 30 LINES 1111 = UNDEFINED			

	BIT 7	BIT 6	BIT 5	BIT 4	BIT 3	BIT 2	BIT 1	BIT 0	
IR1	INTERLACE ENABLE	EQUALIZING CONSTANT							
	0 = NON-INT 1 = INTER	00000000 = 1 CCLK 00000001 = 2 CCLK .	CALCULATED FROM:						
		11111110 = 127 CCLK 11111111 = 128 CCLK	$EC = 0.5(H_{ACT} + H_{FP} + H_{SYNC} + H_{BP}) - 2(H_{SYNC})$						

	BIT 7	BIT 6	BIT 5	BIT 4	BIT 3	BIT 2	BIT 1	BIT 0
IR2	ROW TABLE	HORIZONTAL SYNC WIDTH				HORIZONTAL BACK PORCH		
	0 = OFF 1 = ON	0000 = 2 CCLK 0001 = 4 CCLK .				000 = NOT ALLOWED 001 = 3 CCLK .		
		1110 = 30 CCLK 1111 = 32 CCLK				110 = 23 CCLK 111 = 27 CCLK		

	BIT 7	BIT 6	BIT 5	BIT 4	BIT 3	BIT 2	BIT 1	BIT 0
IR3	VERTICAL FRONT PORCH				VERTICAL BACK PORCH			
	000 = 4 SCAN LINES 001 = 8 SCAN LINES .				00000 = 4 SCAN LINES 00001 = 6 SCAN LINES .			
	110 = 28 SCAN LINES 111 = 32 SCAN LINES				11110 = 64 SCAN LINES 11111 = 66 SCAN LINES			

	BIT 7	BIT 6	BIT 5	BIT 4	BIT 3	BIT 2	BIT 1	BIT 0
IR4	CHARACTER BLINK RATE	ACTIVE CHARACTER ROWS PER SCREEN						
	0 = 1/64 VSYNC 1 = 1/128 VSYNC	00000000 = 1 ROW 00000001 = 2 ROWS .						
		11111110 = 127 ROWS 11111111 = 128 ROWS						

Advanced Video Display Controller (AVDC)

SCN2674/SCN2674T

NAPC/ SIGNETICS

T-52-33-47

Table 2. Initialization Register Bit Formats (Continued)

	BIT 7	BIT 6	BIT 5	BIT 4	BIT 3	BIT 2	BIT 1	BIT 0
IR5	ACTIVE CHARACTERS PER ROW							
	00000010 = 3 CHARACTERS							
	00000011 = 4 CHARACTERS							
	⋮							
	11111110 = 255 CHARACTERS							
	11111111 = 256 CHARACTERS							

	BIT 7	BIT 6	BIT 5	BIT 4	BIT 3	BIT 2	BIT 1	BIT 0
IR6	FIRST LINE OF CURSOR				LAST LINE OF CURSOR			
	0000 = SCAN LINE 0				0000 = SCAN LINE 0			
	0001 = SCAN LINE 1				0001 = SCAN LINE 1			
	⋮				⋮			
	1110 = SCAN LINE 14				1110 = SCAN LINE 14			
	1111 = SCAN LINE 15				1111 = SCAN LINE 15			

	BIT 7	BIT 6	BIT 5	BIT 4	BIT 3	BIT 2	BIT 1	BIT 0
IR7	VSYNC WIDTH		CURSOR BLINK	CURSOR RATE	UNDERLINE POSITION			
	00 = 3 SCAN LN		0 = OFF 1 = ON	0 = 1/32 1 = 1/64	0000 = SCAN LINE 0			
	01 = 1 SCAN LN				0001 = SCAN LINE 1			
	10 = 5 SCAN LN		⋮					
	11 = 7 SCAN LN		1110 = SCAN LINE 14					
					1111 = SCAN LINE 15			

	BIT 7	BIT 6	BIT 5	BIT 4	BIT 3	BIT 2	BIT 1	BIT 0
IR8	DISPLAY BUFFER FIRST ADDRESS LSB'S							
	H'000 = 0							
	H'001 = 1							
	⋮							
	H'FFE = 4,094							
	H'FFF = 4,095							
NOTE: MSB'S ARE IN IR9[3:0]								

	BIT 7	BIT 6	BIT 5	BIT 4	BIT 3	BIT 2	BIT 1	BIT 0
IR9	DISPLAY BUFFER LAST ADDRESS				DISPLAY BUFFER FIRST ADDRESS MSB'S			
	0000 = 1,023				SEE IR8			
	0001 = 2,047							
	⋮							
	1110 = 15,359							
1111 = 16,383								

Advanced Video Display Controller (AVDC)

SCN2674/SCN2674T

NAPC/ SIGNETICS

T-52-33-47

Table 2. Initialization Register Bit Formats (Continued)

	BIT 7	BIT 6	BIT 5	BIT 4	BIT 3	BIT 2	BIT 1	BIT 0
IR10	DISPLAY POINTER ADDRESS LOWER							
	SEE IR11							

	BIT 7	BIT 6	BIT 5	BIT 4	BIT 3	BIT 2	BIT 1	BIT 0
IR11	LZ DOWN	LZ UP	DISPLAY POINTER ADDRESS UPPER					
	0 = OFF 1 = ON	0 = OFF 1 = ON	H'0000' = 0 H'0001' = 1 . . H'3FFF' = 16,383					

	BIT 7	BIT 6	BIT 5	BIT 4	BIT 3	BIT 2	BIT 1	BIT 0
IR12	SCROLL START	SPLIT REGISTER 1						
	0 = OFF 1 = ON	00000000 = ROW 1 00000001 = ROW 2 . . 11111111 = ROW 128						

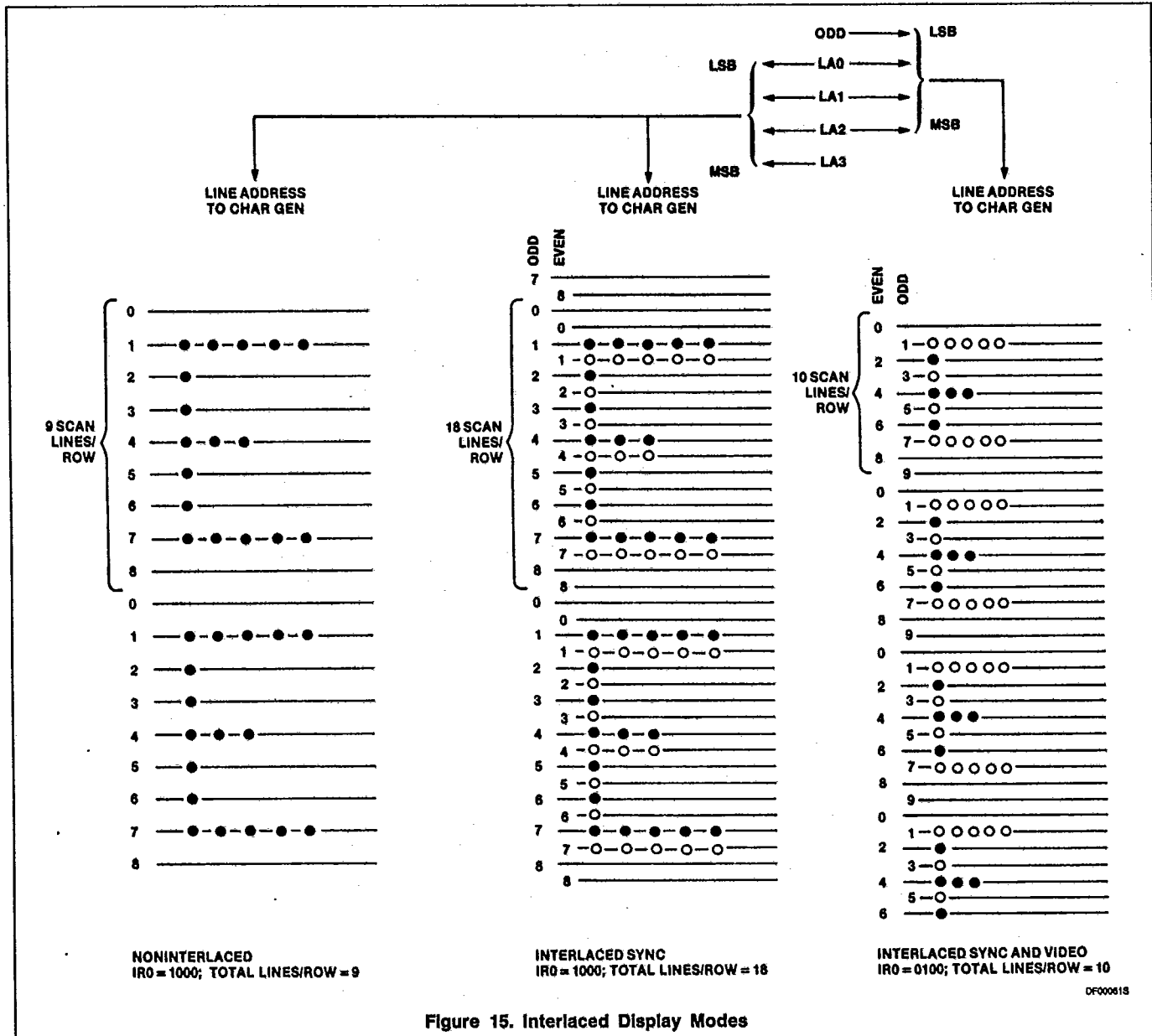
	BIT 7	BIT 6	BIT 5	BIT 4	BIT 3	BIT 2	BIT 1	BIT 0
IR13	SCROLL END	SPLIT REGISTER 2						
	0 = OFF 1 = ON	00000000 = ROW 1 00000001 = ROW 2 . . 11111111 = ROW 128						

	BIT 7	BIT 6	BIT 5	BIT 4	BIT 3	BIT 2	BIT 1	BIT 0
IR14	DOUBLE 1		DOUBLE 2		LINES TO SCROLL			
	00 = NORMAL 01 = DOUBLE WIDTH 10 = DB WD & TOPS 11 = DB WD & BOTS	00 = NORMAL 01 = DOUBLE WIDTH 10 = DB WD & TOPS 11 = DB WD & BOTS	0000 = 1 0001 = 2 . . 1110 = 15 1111 = 16	SCAN LINE 0 SCAN LINE 1 . . SCAN LINE 14 SCAN LINE 15				

NAPC/ SIGNETICS
Advanced Video Display Controller (AVDC)

SCN2674/SCN2674T

T-52-33-47



IR7[4] — Cursor Blink Rate

The cursor blink rate can be specified at 1/32 or 1/64 of the vertical scan frequency. Blink is effective only if blink is enabled by IR7[5].

IR7[3:0] — Underline Position

This field defines which scan line of the character row will be used for the underline attribute by the 2675 CMAC. The timing signal

is multiplexed onto the DADD10/UL output during the falling edge of BLANK.

IR9[3:0], IR8[7:0] — Display Buffer First Address

IR9[7:4] — Display Buffer Last Address
These two fields define the area within the buffer memory where the display data will reside. When the data at the 'display buffer last address' is displayed, the AVDC will

wraparound and obtain the data to be displayed at the next screen position from the 'display buffer first address'. If 'last address' is the end of a character row and a new screen start address has been loaded into the screen start register, or if 'last address' is the last character position of the screen, the next data is obtained from the address contained in the screen start register.

DF0001S

NAPC/ SIGNETICS

Advanced Video Display Controller (AVDC)

SCN2674/SCN2674T

T-52-33-47

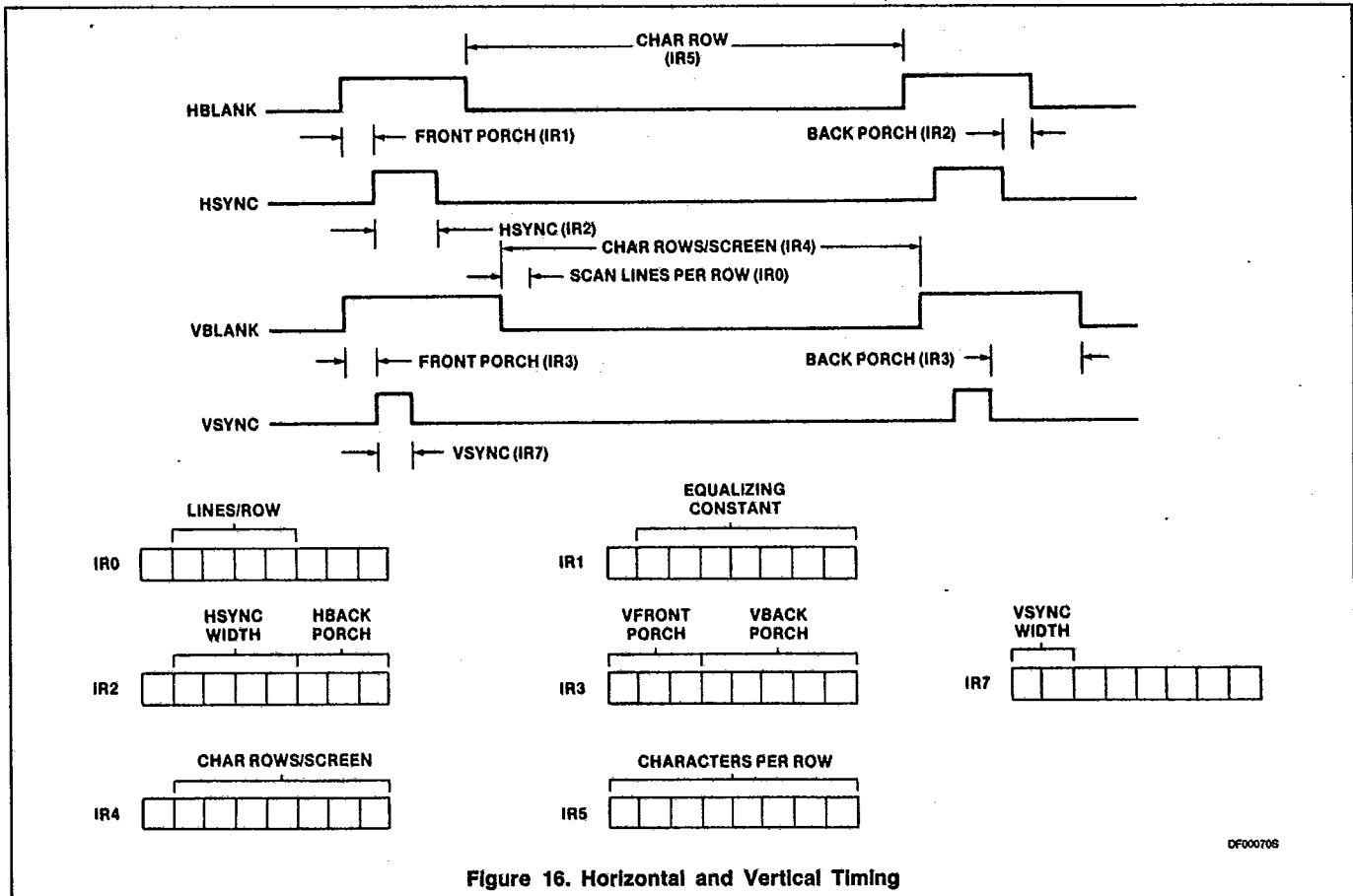


Figure 16. Horizontal and Vertical Timing

DF000706

Note that there is no restriction in displaying data from other areas of the addressable memory. Normally, the area between these two bounds is used for data which can be overwritten (e.g., as a result of scrolling), while data that is not to be overwritten would be contained outside these bounds and accessed by means of the automatic split screen or split screen interrupt feature of the AVDC.

IR10[7:0] — Display Pointer Address, Lower

IR11[5:0] — Display Pointer Address, Upper

These two fields define a buffer memory address for AVDC controlled accesses in response to 'read/write at pointer' commands. They also define the last buffer memory address to be written for the 'write from cursor to pointer' command.

In the independent mode, the RDFLG bit of the status register should be checked for the ready state (bit 5 equal to a logic one) before writing to the display pointer address registers. Checking the status register will prevent the pointer address from being changed while a delayed command (e.g. write from cursor to pointer) is still being executed.

IR11[7] — Scan Line Zero During Scroll Down

During a scroll down operation, the new character row will appear at the top of the scrolling region. If this bit is set (logic one), the scan line count pins (LA0 through LA3) will be forced to zero for every scan line of the partial row. If the character generator provides blanks for scan line zero, the new row being scrolled into the screen will be blanked. This feature can be used to blank the new row to give the CPU time to load the new data in the display buffer. When this bit is set to a logic zero, the new data will be displayed.

IR11[6] — Scan Line Zero During Scroll Up

During a scroll up operation, the new character row will appear at the bottom of the scrolling region. If this bit is set (logic one), the scan line count pins (LA0 through LA3) will be forced to zero for every scan line of the partial row. If the character generator provides blanks for scan line zero, the new row being scrolled into the screen will be blanked. This feature can be used to blank the new row to give the CPU time to load the new data in the display buffer. When this bit is

set to a logic zero, the new data will be displayed.

IR12[7] — Scroll Start

This bit is asserted when soft scroll is to take place. The scrolling area begins at the row specified in split register 1 (IR12[6:0]). If set, the first row to scroll scan line count will be reduced by the value in the lines to scroll register (IR14[3:0]). The scan line count of this row will start at the programmed offset value. When this bit is asserted, scroll end IR13[7] must be set before split 2.

IR12[6:0] — Split Register 1

Split register 1 can be used to provide special screen effects such as soft (scan line by scan line) scrolling, double height/width rows, or to change the normal addressing sequence of the display memory. The contents of this field are compared, in real time, to the current row number. Upon a match, the AVDC sets the split screen 1 status bit, and issues an interrupt request if so programmed. The status change/interrupt request is made at the beginning of scan line zero of the split screen character row. If enabled by the SPL1 bit of screen start register 2, an automatic split screen to the address specified in screen start register 2 will be made for the designated character row. During a scroll operation,

Advanced Video Display Controller (AVDC)

SCN2674/SCN2674T

T-52-33-47

NAPC/ SIGNETICS

this field defines the first character row of the scrolling area.

IR13[7] — Scroll End

This field specifies that the row programmed in split register 2 (IR13[6:0]) is to be the last scrolling row of the scrolling area. Note that this bit must be asserted for a valid row only when the scroll start bit IR12[7] is also asserted.

IR13[6:0] — Split Register 2

This field is similar to the split register 1 field except for the following:

1. Split screen 2 status bit is set.
2. During a scroll operation, this field defines the last character row of the scrolling area. This row will be followed by a partial row. The LTSR (IR14) value replaces the normal scan lines/row value for the partial row, thus keeping the total scan lines/screen the same.
3. If enabled by the SPL2 bit of screen start register 2, an automatic split to the address contained in screen start register 2 will occur in one of two ways: a) If not scrolling an automatic split will occur for the next character row. b) If scrolling, the automatic split will occur after the partial row being scrolled onto or off the screen.
4. The specified double width and height conditions (IR14) are also asserted in two possible ways: a) Automatic split will assert the programmed condition for the current row. b) During soft scroll operation the programmed conditions are asserted for the partial row scrolling onto or off the screen.

IR14[7:6] — Double 1

This field specifies the conditions (double width/height or normal) of the row designated in split register 1 (IR12[6:0]). When double height tops or bottoms have been specified, the AVDC will automatically toggle between tops and bottoms until another split 1 or 2 occurs which changes the double height/width condition. If a double height top row is specified, the scan line count will start at zero and increment the scan line count every other scan line. If a double height bottom row is specified, the AVDC will start at one-half the normal scan line total. If double width is specified, the AVDC will assert the DADD9/DW output at the falling edge of blank. This condition will also remain active until the next split 1 or 2. When IR0[7] = 1, the values written into bits 7 and 6 of screen start 1 upper will also be written into IR14[7:6] and the automatic toggling between tops and bottoms is disabled.

The AVDC still addresses the RAMs on a single width character basis. The clock rate of the AVDC does not change. The display RAMs must have data as if two single-wide

characters are to be displayed. The first data bits addressed by the AVDC will specify the double wide character. The next data bits addressed are not displayed. The 2675 CMAC will ignore the second clock cycle data when the ADOUBLE pin is High.

IR14[5:4] — Double 2

This field specifies the conditions (double width/height or normal) of the row designated in split register 2 (IR13[6:0]). Not used when IR0[7] = 1.

IR14[3:0] — Lines To Scroll

This field defines the scan line increment to be used during a soft scroll operation. These 4 bits control the scroll rate. When smooth scrolling up by scan line increments of one, the initial value is 0000 (scan line 0) and is increased every vertical frame according to the number of lines per character row. When smooth scrolling down by scan line increments of one, the initial value is 1110 hex (scan line 14, assuming 15 scan lines per character row) and is decreased by one every vertical frame. This value will only be used when scroll start (IR12[7]) and scroll end (IR13[7]) are enabled.

Timing Considerations

Normally, the contents of the initialization registers are not changed during normal operation. However, this may be necessary to implement special display features such as multiple cursors and horizontal scrolling. Table 3 describes timing details for these registers which should be considered when implementing these features.

Display Control Registers

There are seven registers in this group, each with an individual address. Their formats are illustrated in Table 4. The command register is used to invoke one of 19 possible AVDC commands as described in the COMMANDS section of this data sheet. The remaining registers in the group store address values which specify the cursor location, the location of the first character to be displayed on the screen, and any split screen address locations. The user initializes these registers after powering on the system and changes their values to control the data which is displayed.

Screen Start Registers 1 and 2

The screen start 1 registers contain the address of the first character of the first row (upper left corner of the active display). At the beginning of the first scan line of the first row, this address is transferred to the row start register (RSR) and into the memory address counter (MAC). The counter is then advanced sequentially at the character clock rate for the number of times programmed into the active characters per row register (IR5), thus reaching the address of the last character of the row plus one. At the beginning of each subsequent scan line of the first row, the

MAC is reloaded from the RSR and the above sequence is repeated. At the end of the last scan line of the first row, the contents of the MAC are loaded into the RSR to serve as the starting memory address for the second character row. This process is repeated for the programmed number of rows per screen. Thus, the data in the display memory is displayed sequentially starting from the address contained in the screen start register. After the ensuing vertical retrace interval, the contents of the screen start registers are reloaded into the RSR and MAC, and the process is repeated.

During vertical blanking, the address counter operation is modified by stopping the automatic load of the contents of the RSR into the counter, thereby allowing the address outputs to free-run. This allows dynamic memory refresh to occur during the vertical retrace interval. The refresh addressing starts at the last address displayed on the screen and increments by one for each character clock during the retrace interval. If the display buffer last address is encountered, wraparound will occur. Refreshing will continue from the display buffer first address. In the independent mode, the refresh addressing will occur if no delayed commands are being executed. In the transparent and shared modes, refresh will occur during the blanking interval unless the CPU has control of the display address bus. In the row buffer mode, refresh will occur during all blanking intervals except for the first character clock time in the BLANK after the first scan line (scan line 0) of a character row.

The sequential addressing operation described above will be modified upon the occurrence of the following:

1. After reaching the 'display buffer last address.'
2. Rewriting the contents of the screen start 1 registers.
3. Setting the split register 1 or split register 2 bits of screen start register 2 upper.
4. Enabling the row table addressing mode.

First, if during the incrementing of the memory address counter the 'display buffer last address' (IR9[7:4]) is reached, the MAC will be loaded from the 'display buffer first address' register (IR9[3:0] and IR8[7:0]) at the next character clock. Sequential operation will then resume starting from this address. This wraparound operation allows portions of the display buffer to be used for purposes other than storage of displayable data and is completely automatic without any CPU intervention (see Figure 17a).

Second, if the contents of screen start register 1 (upper, lower, or both) are changed during any character row (e.g., row 'n'), the starting address of the next character row

Advanced Video Display Controller (AVDC)

SCN2674/SCN2674T

NAPC/ SIGNETICS

T-52-33-47

(row 'n + 1') will be the new value of the screen start register and addressing will continue sequentially from there. This allows features such as split screen operation, partial scroll, or status line display to be implemented. The split screen interrupt feature of the AVDC is useful in controlling the CPU initiated operations. Note that in order to obtain the correct screen display, screen start register 1 must be reloaded with the original (origin of display) value prior to the end of the vertical retrace. See Figure 17b.

The screen start two registers contain a 14-bit display address. The SSR2 address is implemented on the occurrence of item 3 above. If bit 6 of SSR2 upper is set, the SSR2 contents will be automatically loaded into the RSR at the beginning of the first scan line of the row designated by split register 1 (IR12[6:0]). If bit 7 of SSR2 upper is set, the SSR2 contents will be automatically loaded into the RSR at the beginning of the first scan line of the row specified by split register 2 (IR13[6:0]). SPL1 and SPL2 are write only bits and will read as zero when reading screen start register 2. If these bits are not used, they should be set to zeros after power-up.

In order to avoid screen start register 1 and 2 (SSR1, SSR2) writing sequence conflict, after SSR1 and/or SSR2 are loaded with new values, SSR2 Value needs to be checked. If SSR2 value is incorrect, multiple SSR2 rewrites may be necessary.

Lastly, when row table addressing mode is enabled, the first address of the row table is designated in SSR2. The AVDC fetches the next row's starting address from the table during the blanking interval prior to the first scan line of each character row and loads it into SSR1 for use as the starting address of the next row. Since the contents of SSR2 change as the table entries are fetched, it must be re-initialized to point to the first table entry during each vertical retrace interval.

The values in the two MSBs of SSR1 upper are multiplexed onto the DADD1/DADD14 and DADD2/DADD15 outputs during the falling edge of BLANK. If IR0[7] = 0, these two bits act as memory page select bits which may be used to extend the display memory addressing range of the AVDC up to 64k. In that case, these two bits act as a two-bit counter which is incremented each time that

Table 3. Timing Considerations

PARAMETER	TIMING CONSIDERATIONS
First line of cursor Last line of cursor Underline line	These parameters must be established at a minimum of two character times prior to their occurrence
Double height character rows Double width character rows Rows to scroll	Set/reset prior to the row specified in split 1 or 2 registers
Cursor blink Cursor blink rate Character blink rate	New values become effective within one field after values are changed
Split register 1 Split register 2	Change anytime prior to line zero of desired row
Character rows per screen	Change only during vertical blanking period
Vertical front porch	Change prior to first line of VFP
Vertical back porch	Change prior to fourth line after VSYNC
Screen start register 1 Row table mode enable	Change prior to the horizontal blanking interval of the last line of character row before row where new value is to be used

'wraparound' occurs (see above). Note that the counter is incremented at the falling edge of BLANK and that for proper display operation the wraparound address should be programmed to occur at the last character position of a row. Also, the first address accessed in the new page will be the address contained in the display buffer first address register (IR9[3:0] and IR8[7:0]). DADD14 and DADD15 should only be used in the bit-mapped graphics mode.

Cursor Address Registers

The contents of these registers define the buffer memory address of the cursor. The cursor output will be asserted when the memory address counter matches the value of the cursor address registers for the scan lines specified in IR6. The cursor address registers can be read or written by the CPU or incremented via the 'increment cursor address' command. In independent buffer mode, these registers define a buffer memory address for AVDC controlled access in response to 'read/write at cursor with/without increment' commands, or the first address to be used in executing the 'write from cursor to pointer' command.

In the independent mode, the RDFLG bit of the status register should be checked for the

ready state (bit 5 equal to a logic one) before writing to the cursor address registers. Checking the status register will prevent the cursor address from being changed while a cursor delayed command (e.g., write from cursor to pointer) is still being executed.

Interrupt/Status Registers

The interrupt and status registers provide information to the CPU to allow it to interact with the AVDC to effect desired changes that implement various display operations. The interrupt register provides information on five possible interrupting conditions, as shown in Table 5. These conditions can be selectively enabled or disabled (masked) from causing interrupts by certain AVDC commands. An interrupt condition which is enabled (mask bit equal to one) will cause the INTR output to be asserted and will cause the corresponding bit in the interrupt register to be set upon the occurrence of the interrupting condition. An interrupt condition which is disabled (mask bit equal to zero) has no effect on either the INTR output or the interrupt register.

The status register provides six bits of status information: the five possible interrupting conditions plus the RDFLG bit. For this register, however, the contents are not affected by the state of the mask bits.

Advanced Video Display Controller (AVDC)

SCN2674/SCN2674T

NAPC/ SIGNETICS

T-52-33-47

Table 4. Display Control Register Bit Formats

BIT 7 BIT 6 BIT 5 BIT 4 BIT 3 BIT 2 BIT 1 BIT 0

COMMAND CODE							
SEE COMMANDS SECTION FOR COMMAND CODES							

COMMAND REGISTERS (WRITE ONLY)

BIT 7 BIT 6 BIT 5 BIT 4 BIT 3 BIT 2 BIT 1 BIT 0

UPPER REGISTER							
Not used		MSBs					

BIT 7 BIT 6 BIT 5 BIT 4 BIT 3 BIT 2 BIT 1 BIT 0

LOWER REGISTER (LSB)							
H'0000' = 0				H'0001' = 1			
THRU				Note: MSBs are in Upper Register [5:0]			
H'3FFE' = 16,382				H'3FFF' = 16,383			

NOTE:

Bits 7 and 6 of upper register are not used in the cursor address register.

CURSOR ADDRESS REGISTERS (READ AND WRITE)

BIT 7 BIT 6 BIT 5 BIT 4 BIT 3 BIT 2 BIT 1 BIT 0

UPPER REGISTER							
DADD15	DADD14	MSBs					

BIT 7 BIT 6 BIT 5 BIT 4 BIT 3 BIT 2 BIT 1 BIT 0

LOWER REGISTER (LSB)							
H'0000' = 0				NOTE: MSBs ARE IN UPPER REGISTER [5:0]			
H'0001' = 1							
THRU							
H'3FFE' = 16,382							
H'3FFF' = 16,383							

SCREEN START 1 REGISTERS (READ AND WRITE)

NOTES:

1. Bits 7 and 6 of upper register are always zero when read by the CPU.
2. When IR0(7) = 1, the values written into bits 7 and 6 of screen start 1 upper will also be written into IR14(7:6) to control the double width and double height attributes of the display as follows:

Z	6	<u>Attribute</u>
0	0	None
0	1	Double width only
1	0	Double width and double height
1	1	Double width and double height

BIT 7 BIT 6 BIT 5 BIT 4 BIT 3 BIT 2 BIT 1 BIT 0

UPPER REGISTER							
SPL2 0 = OFF 1 = ON	SPL1 0 = OFF 1 = ON	MSBs					

BIT 7 BIT 6 BIT 5 BIT 4 BIT 3 BIT 2 BIT 1 BIT 0

LOWER REGISTER							
H'0000' = 0				NOTE: MSBs ARE IN UPPER REGISTER [5:0]			
H'0001' = 1							
THRU							
H'3FFE' = 16,382							
H'3FFF' = 16,383							

SCREEN START 2 REGISTERS (READ AND WRITE)

NOTES:

1. Bit 7 and bit 6 are always zero when read by the CPU.
2. These bits should be set to zero after power-up by the user, even if SSR2 is not used.

Advanced Video Display Controller (AVDC)

SCN2674/SCN2674T

T-52-33-47

NAPC/ SIGNETICS

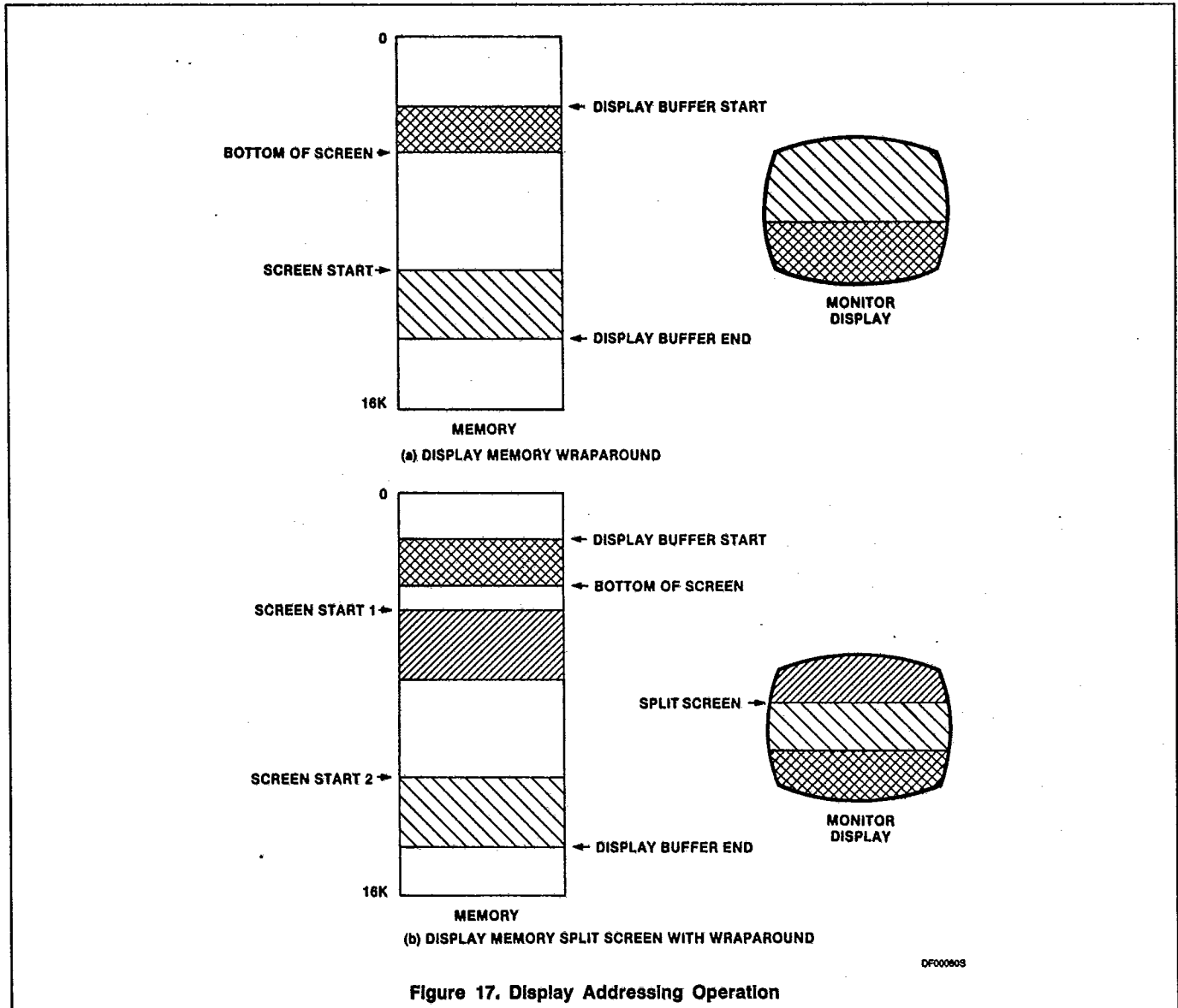


Figure 17. Display Addressing Operation

Table 5. Interrupt and Status Register Bit Formats

BIT 7	BIT 6	BIT 5	BIT 4	BIT 3	BIT 2	BIT 1	BIT 0
NOT USED ALWAYS READ AS 0		RDFLG	VBLANK	LINE ZERO	SPLIT 1	READY	SPLIT 2
		0 = BUSY 1 = READY *	0 = NO 1 = YES	0 = NO 1 = YES	0 = NO 1 = YES	0 = BUSY 1 = READY	0 = NO 1 = YES

NOTE:

* Status register only. Always 0 when reading Interrupt register.

Advanced Video Display Controller (AVDC)

SCN2674/SCN2674T

NAPC/ SIGNETICS

T-52-33-47

Descriptions of each interrupt/status register bit follow. Unless otherwise indicated, a bit, once set, will remain set until reset by the CPU by issuing a 'reset interrupt/status bits' command. The bits are also reset by a 'master reset' command and upon power-up.

SR[5] — RDFLG

This bit is present in the status register only. A zero indicates that the AVDC is currently executing the previously issued delayed command. A one indicates that the AVDC is ready to accept a new delayed command. This bit is set to a one upon a master reset.

I/SR[4] — VBLANK

Indicates the beginning of a vertical blanking interval. Set to one at the beginning of the first scan line of the vertical front porch.

I/SR[3] — Line Zero

Set to one at the beginning of the first scan line (line 0) of each active character row.

I/SR[2] — Split Screen 1

This bit is set when a match occurs between the current character row number and the value contained in split register 1, IR12[6:0]. The equality condition is only checked at the beginning of line zero of each character row.

I/SR[1] — Ready

The delayed commands affect the display and may require the AVDC to wait for a blanking interval before enacting the command. This bit is set to one when execution of a delayed command has been completed. No other delayed command should be invoked until the prior delayed command is completed. This bit is set to a zero upon a master reset.

I/SR[0] — Split Screen 2

This bit is set when a match occurs between the current character row number and the value contained in split register 2 (IR13[6:0]) when you are not scrolling. It is set for the value contained in (split screen register 2) + 1 when scrolling.

COMMANDS

The AVDC commands are divided into two classes: the instantaneous commands which are executed immediately after they are invoked, and the delayed commands which may need to wait for a blanking interval prior to their execution. (Command formats are shown in Table 6). The commands are asserted by performing a write operation to the command register with the appropriate bit pattern as the data byte.

Instantaneous Commands

The instantaneous commands are executed immediately after the trailing edge of the \overline{WR} pulse during which the command is issued. These commands do not affect the state of

the RDFLG or READY interrupt/status bits and can be invoked at any time.

Master Reset

This command initializes the AVDC and can be invoked at any time to return the AVDC to its initial state. Upon power-up, two successive master reset commands must be applied to release the AVDC's internal power-on circuits. In transparent and shared buffer modes, the CNTRL1 input must be high when the command is issued. The command causes the following:

1. VSYNC and HSYNC are driven low for the duration of the command and BLANK goes high. After command completion, HSYNC and VSYNC will begin operation and BLANK will remain high until a 'display on' command is received.
2. The interrupt and status bits and masks are set to zero, except for the RDFLG flag which is set to a one.
3. The row buffer mode, cursor off, display off, and the line graphics disable states are set.
4. The initialization register pointer is set to address IR0.
5. IR2[7] is reset.

Load IR Address

This command is used to preset the initialization register pointer with the value 'V' defined by D3-D0. Allowable values are 0 to 14.

Enable Graphics

After invoking this command, the AVDC will increment the MAG to the next consecutive memory address for each scan line even if more than one scan line per row is programmed. In other words, each scan line begins with a consecutive address from the last displayed address of the previous scan line. This mode can be used for bit-mapped graphics where each location in the display buffer within the defined area contains the bit pattern to be displayed. The graphics mode will be enabled on the next character row after the 'graphics enable' command has been executed. This allows the user to enter and exit graphics mode on character row boundaries.

To perform split screen operations while in graphics mode use SSR2 only.

DADD0/LG is asserted during the trailing edge of BLANK for each scan line while this mode is active.

The AVDC allows up to 128 character rows (initialization register 4) by 256 characters (initialization register 5). For a higher resolution bit mapped screen, the AVDC is programmed as if there are characters and character rows. For example, screen size of 240 x 512 pixels is possible by programming the AVDC for 20 rows with 12 scan lines per

row by 64 characters with 8 dots per character.

In the graphics mode, SSR1 should only be updated during the last scan line of the defined 'character row.'

The bit-mapped graphics mode will work only in the independent and transparent modes.

Disable Graphics

Normal addressing resumes at the next row boundary.

Display Off

Asserts the BLANK output. The DADD0 through DADD13 display address bus outputs can be optionally placed in the 3-State condition by setting bit 2 to a '1' when invoking the command.

Display On

Restores normal blanking operation either at the beginning of the next field (bit 2 = 1) or at the beginning of the next scan line (bit 2 = 0). Also returns the DADD0-DADD13 drivers to their active state.

Cursor Off

Disables cursor operation. Cursor output is placed in the Low state.

Cursor On

Enables normal cursor operation.

Reset Interrupt/Status Bits

This command resets the designated bits in the interrupt and status registers. The bit positions correspond to the bit positions in the registers:

Bit 0 — Split 2

Bit 1 — Ready

Bit 2 — Split 1

Bit 3 — Line zero

Bit 4 — Vertical blank

Disable Interrupts

Sets the interrupt mask to zeros for the designated conditions, thus disabling these conditions from being set in the interrupt register and asserting the \overline{INTR} output. Bit position correspondence is as above.

Enable Interrupts

This command writes the associated interrupt mask bits to a one. This enables the corresponding conditions to be set in the interrupt register and asserts the \overline{INTR} output. Bit position correspondence is as above.

Delayed Commands

This group of commands is utilized for the independent buffer mode of operation, although the 'increment cursor' command can also be used in other modes. With the exception of the 'write from cursor to pointer' and 'increment cursor' commands, all the commands of this type will be executed immedi-

Advanced Video Display Controller (AVDC)

SCN2674/SCN2674T

T-52-33-47

NAPC/ SIGNETICS

Table 6. AVDC Command Formats

D7	D6	D5	D4	D3	D2	D1	D0	COMMAND
Instantaneous Commands:								
0	0	0	0	0	0	0	0	Master reset
0	0	0	1	V	V	V	V	Load IR pointer with value V (V = 0 to 14)
0	0	1	d	d	d	1	0 ¹	Disable graphics
0	0	1	d	d	d	1	1 ²	Enable graphics
0	0	1	d	1	N	d	0 ¹	Display off: Float DADD bus if N = 1
0	0	1	d	1	N	d	1 ²	Display on: Next field (N = 1) or scan line (N = 0)
0	0	1	1	d	d	d	0 ¹	Cursor off
0	0	1	1	d	d	d	1 ²	Cursor on
0	1	0	N	N	N	N	N	Reset interrupt/status: Bit reset where N = 1
1	0	0	N	N	N	N	N	Disable interrupt: Disable where N = 1
0	1	1	N	N	N	N	N	Enable interrupt: Enables interrupts where N = 1
			V	L	S	R	S	Interrupt Bit Assignments
			B	Z	P	D	P	
					1	Y	2	
Delayed Commands:								Hex
1	0	1	0	0	1	0	0	A4 Read at pointer address
1	0	1	0	0	0	1	0	A2 Write at pointer address
1	0	1	0	1	0	0	1	A9 Increment cursor address
1	0	1	0	1	1	0	0	AC Read at cursor address
1	0	1	0	1	0	1	0	AA Write at cursor address
1	0	1	0	1	1	0	1	AD Read at cursor address and increment address
1	0	1	0	1	0	1	1	AB Write at cursor address and increment address
1	0	1	1	1	0	1	1	BB Write from cursor address to pointer address
1	0	1	1	1	1	0	1	BD Read from cursor address to pointer address

NOTES:

- Any combination of these three commands is valid.
- Any combination of these three commands is valid.
- d = don't care.
- No additional circuit required if read latch is implemented using 74LS374.

ately or will be delayed depending on when the command is invoked. If invoked during the active screen time, the command is executed at the next horizontal blanking interval. If invoked during a vertical retrace interval or a 'display off' state, the command is executed immediately.

The 'increment cursor' command is executed immediately after it is issued and requires approximately three \overline{CCLK} periods for completion. The 'write from cursor to pointer' command executes during blanking intervals. The AVDC will execute as many writes as possible during each blanking interval. If the command is not completed during the current blanking interval, the command will be held in

suspension during the next active portion of the screen and continues during the next blanking interval until the command is completed.

In all cases, the AVDC will assert the READY/RDFLG status to signify completion of the delayed command. No other delayed command should be given until the previous delayed command has completed. Therefore, the READY interrupt or RDFLG status flag should be used for handshaking control between the AVDC and CPU when using the delayed commands.

Read/Write at Pointer

Transfers data between the display buffer and the bus interface latch using the address contained in the pointer registers.

Read/Write at Cursor

Transfers data between the display buffer and the bus interface latch using the address contained in the cursor registers.

Increment Cursor

Adds one (modulo 16k) to the cursor address registers. Also note that in place of "Increment cursor" command, "Read/Write at cursor and increment" command may be used.

Read/Write at Cursor and Increment

Transfers data between the display buffer and the bus interface latch using the address contained in the cursor registers and then adds one (modulo 16k) to the cursor address registers.

Write from Cursor to Pointer

Writes the data contained in the bus interface latch into the block of display memory designated by the cursor address and pointer address registers, inclusive. After completion of the command, the pointer address will be unchanged, but the cursor register contents will be equal to the pointer address.

Read from Cursor to Pointer

Writes the data from the block of display memory designated by the cursor and pointer addresses inclusive into the bus interface latch. This command can be used for a DMA dump of memory into RAM from the cursor location to the pointer location. After completion of the command, the cursor register contents will equal the pointer register contents.

Advanced Video Display Controller (AVDC)

SCN2674/SCN2674T

NAPC/ SIGNETICS

T-52-33-47

ABSOLUTE MAXIMUM RATINGS¹

SYMBOL	PARAMETER	RATING	UNIT
T _A	Operating ambient temperature ²	0 to +70	°C
T _{STG}	Storage temperature range	-65 to +150	°C
	All voltages with respect to ground ³	-0.5 to +6.0	V

DC ELECTRICAL CHARACTERISTICS T_A = 0°C to +70°C, V_{CC} = +5.0V ± 10%^{4, 5, 6}

SYMBOL	PARAMETER	TEST CONDITIONS	LIMITS			UNIT
			Min	Typ	Max	
V _{IL}	Input Low voltage		2		0.8	V
V _{IH}	Input High voltage					
V _{OL}	Output Low voltage	I _{OL} = 2.4mA			0.4	V
V _{OH}	Output High voltage (except $\overline{\text{INTR}}$ output)	I _{OH} = -200μA	2.4			V
I _{IL}	Input leakage current	V _{IN} = 0 to V _{CC}	-10		10	μA
I _{LL}	Data bus 3-State leakage current	V _O = 0 to V _{CC}	-10		10	μA
I _{OD}	$\overline{\text{INTR}}$ open drain output leakage current	V _O = 0 to V _{CC}			10	μA
I _{CC}	Power supply current				185	mA

Advanced Video Display Controller (AVDC)

SCN2674/SCN2674T

NAPC/ SIGNETICS

T-52-33-47

AC ELECTRICAL CHARACTERISTICS $T_A = 0^\circ\text{C}$ to $+70^\circ\text{C}$, $V_{CC} = +5.0\text{V} \pm 10\%$ ^{4, 5, 6, 7}

SYMBOL	PARAMETER	TEST CONDITIONS ⁸	8.5MHz		4.0MHz		UNIT
			Min	Max	Min	Max	
Bus timing (Figure 18)⁹							
t_{AS}	A0-A2 setup time to \overline{WR} , \overline{RD} Low		0		30		ns
t_{AH}	A0-A2 hold time from \overline{WR} , \overline{RD} High		0		0		ns
t_{CS}	\overline{CE} setup time to \overline{WR} , \overline{RD} Low		0		0		ns
t_{CH}	\overline{CE} hold time from \overline{WR} , \overline{RD} High		0		0		ns
t_{RW}	\overline{WR} , \overline{RD} pulse width		150		200		ns
t_{DD}	Data valid after \overline{RD} Low			150		200	ns
t_{DF}	Data bus floating after \overline{RD} High			75		100	ns
t_{DS}	Data setup time to \overline{WR} High		75		150		ns
t_{DH}	Data hold time from \overline{WR} High		5		5		ns
t_{CC}	High time from \overline{CE} to \overline{CE}						ns
	Consecutive commands		t_{CCP}		t_{CCP}		ns
	Other accesses		250		300		ns
CCLK timing (Figures 19, 20, 21)							
t_{CCP}	CCLK period		181	10,000	250	10,000	ns
t_{CCH}	CCLK High time		80		100		ns
t_{CCL}	CCLK Low time		70		100		ns
	Output delay from CCLK edge ¹¹						ns
t_{CCD1}	DADD0-13, MBC		40	100	40	150	ns
t_{CCD2}	BLANK, HSYNC, VSYNC/GSYNC, CURSOR, BEXT, BREQ, BACK, BCE, WDB, RDB ¹⁰		40	150	40	200	ns
Other timings (Figure 20)							
t_{RD_L}	READY/RDFLG Low from \overline{WR} High ⁹			$t_{CCP} + 30$		$t_{CCP} + 30$	ns
t_{BAK}	BACK High from \overline{PBREQ} Low			150		200	ns
t_{BXT}	BEXT High from \overline{PBREQ} High			150		200	ns
t_{IRL}	INTR Low from CCLK Low			150		200	ns
t_{IRH}	INTR High from \overline{WR} , \overline{RD} High ⁹			500		600	ns
t_{AC}	ACLL from HSYNC		$3 \times t_{CCP}$		$3 \times t_{CCP}$		ns
Row table input timing (Figure 21)							
t_{DSRT}	Data setup time to CCLK Low		55		60		ns
t_{DHRT}	Data hold time from CCLK Low		35		60		ns

NOTES:

- Stresses above those listed under Absolute Maximum Ratings may cause permanent damage to the device. This is a stress rating only and functional operation of the device at these or at any conditions above those in the operation section of this specification is not implied.
- For operating at elevated temperatures, the device must be derated based on $+150^\circ\text{C}$ maximum junction temperature.
- This product includes circuitry specifically designed for the protection of its internal devices from damaging effects of excessive static charge. Nonetheless, it is suggested that conventional precautions be taken to avoid applying any voltages larger than the rated maxima.
- Parameters are valid over specified temperature range.
- All voltage measurements are referenced to ground (GND).
- Typical values are at $+25^\circ\text{C}$, typical supply voltages, and typical processing parameters.
- For testing, all input signals swing between 0.4V and 2.4V with a transition time of 20ns maximum. All time measurements are referenced at input voltages of 0.8V and 2.0V and output voltages of 0.6V and 2.0V as appropriate.
- Test condition for outputs: $C_L = 150\text{pF}$.
- Timing is illustrated and specified referenced to \overline{WR} and \overline{RD} inputs. Device may also be operated with \overline{CE} as the 'strobing' input. In this case, all timing specifications apply referenced to falling and rising edges of \overline{CE} .
- BCE, WDB, and RDB delays track each other within 10ns. Also, these output delays will tend to follow direction (min/max) of DADD0-13 delays.
- These values were measured with a capacitance load of 150pF. To adjust the output delay, use the following correction factor: $50\text{pF} \leq C_L < 150\text{pF}: -0.15\text{ns/pF}$.

Advanced Video Display Controller (AVDC)

SCN2674/SCN2674T

NAPC/ SIGNETICS

T-52-33-47

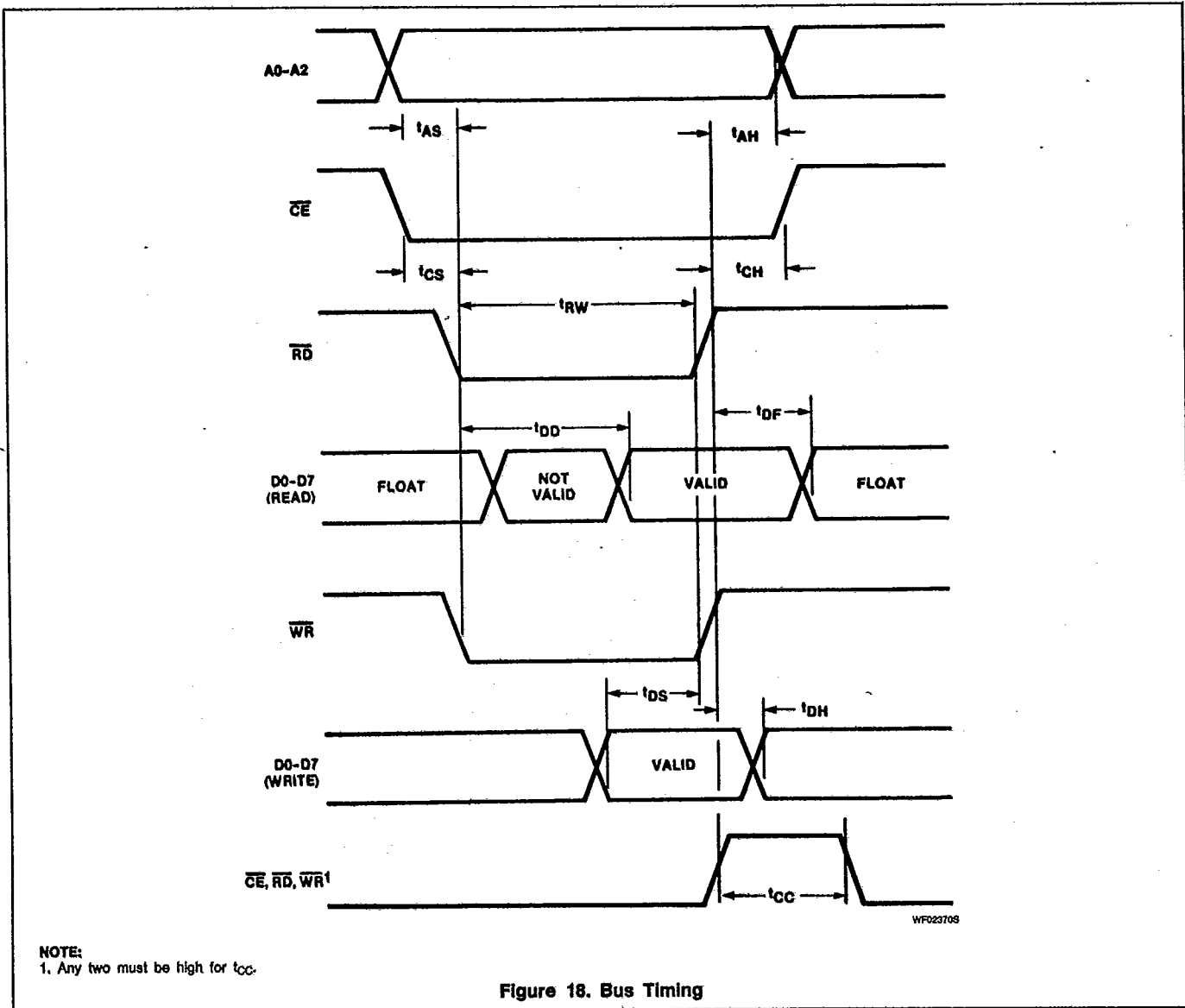


Figure 18. Bus Timing

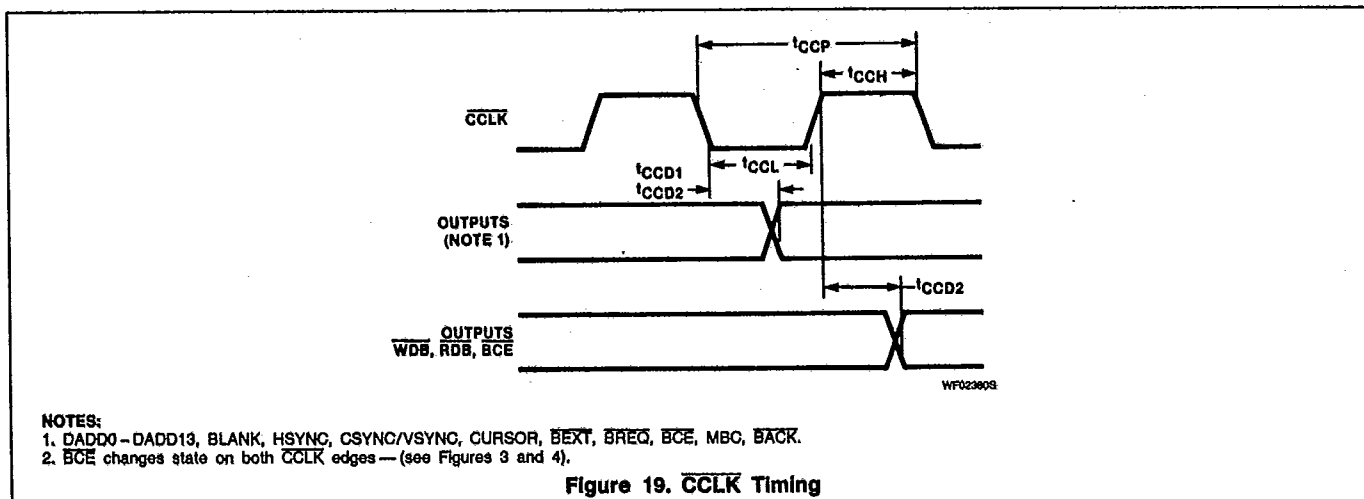


Figure 19. CCLK Timing

Advanced Video Display Controller (AVDC)

SCN2674/SCN2674T

NAPC/ SIGNETICS

T-52-33-47

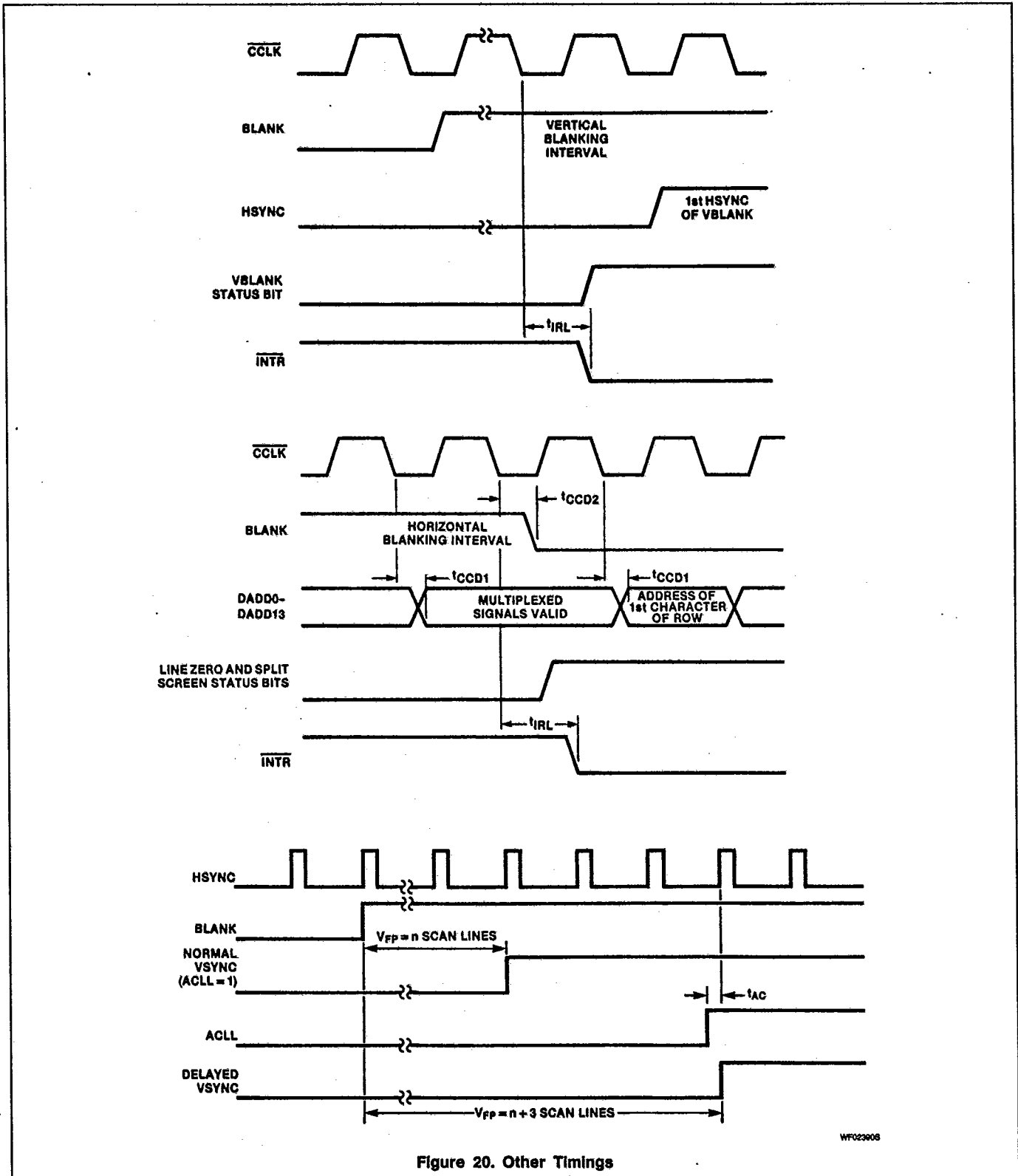


Figure 20. Other Timings

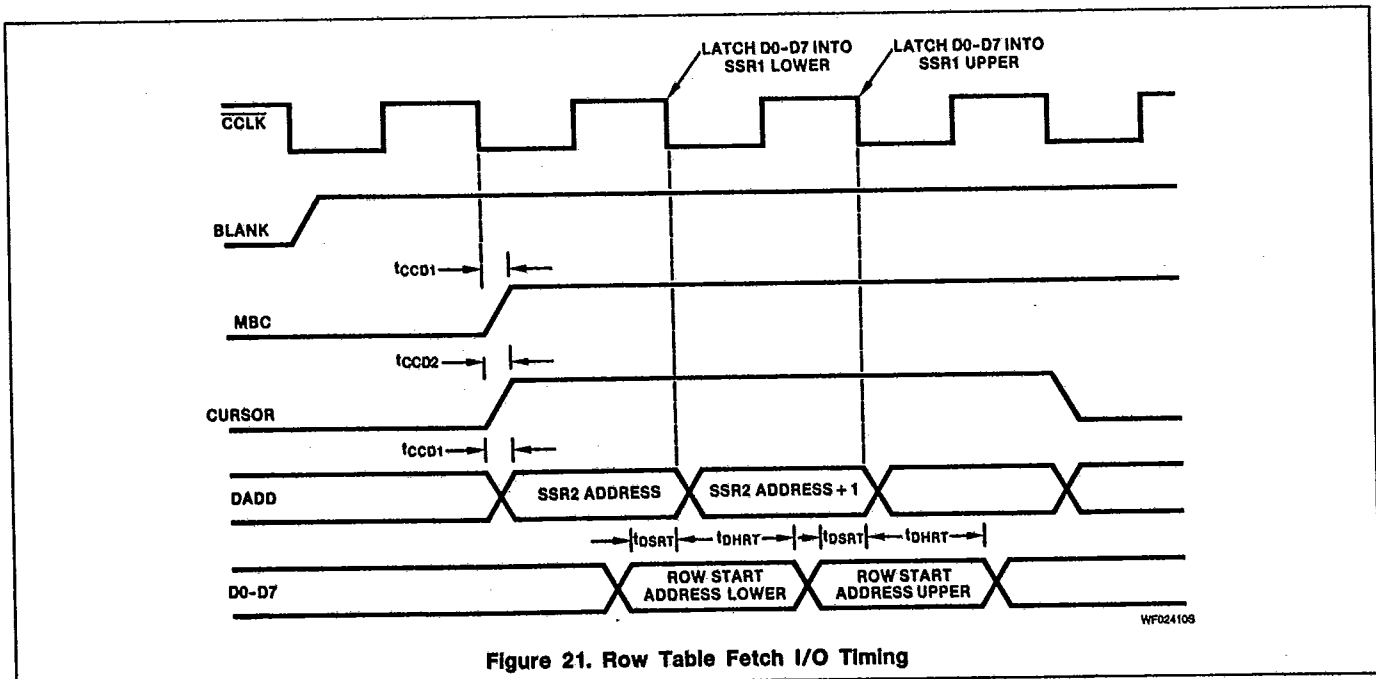
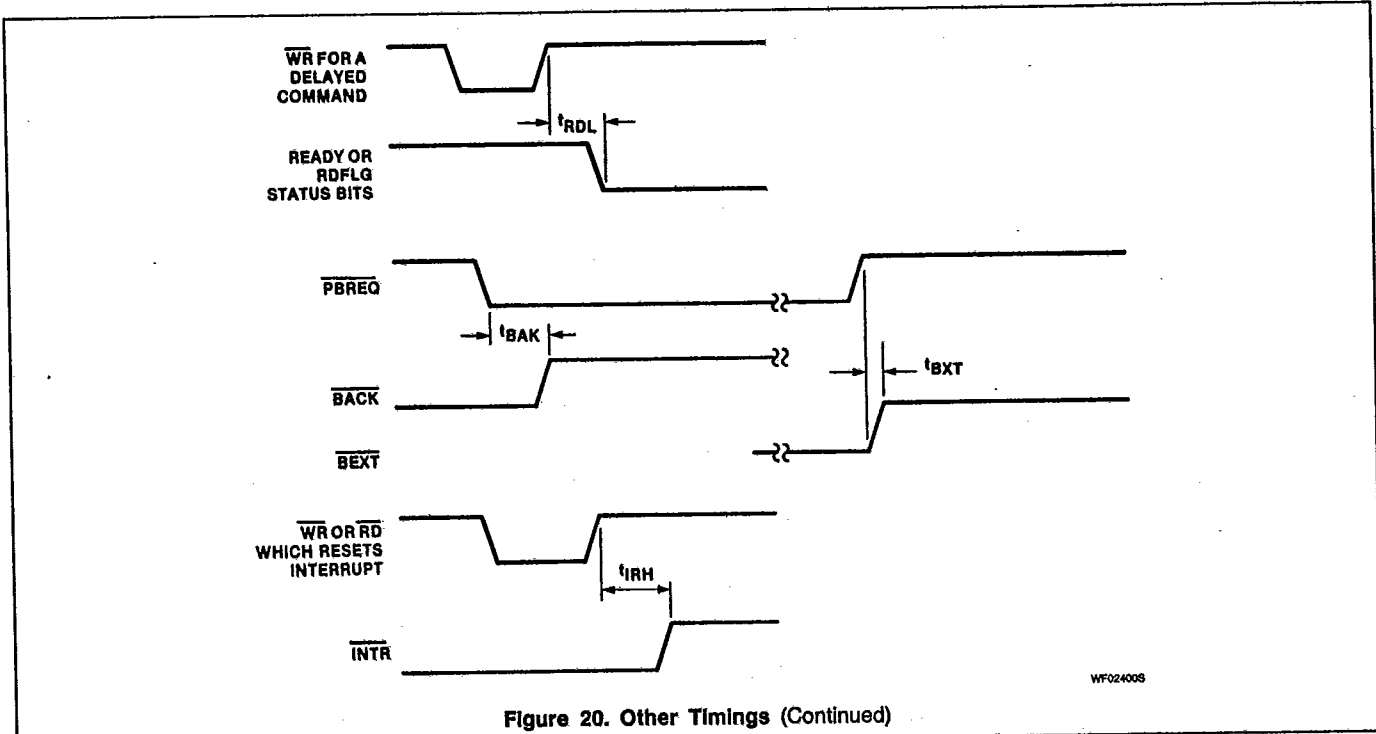
WF023008

Advanced Video Display Controller (AVDC)

SCN2674/SCN2674T

NAPC/ SIGNETICS

T-52-33-47

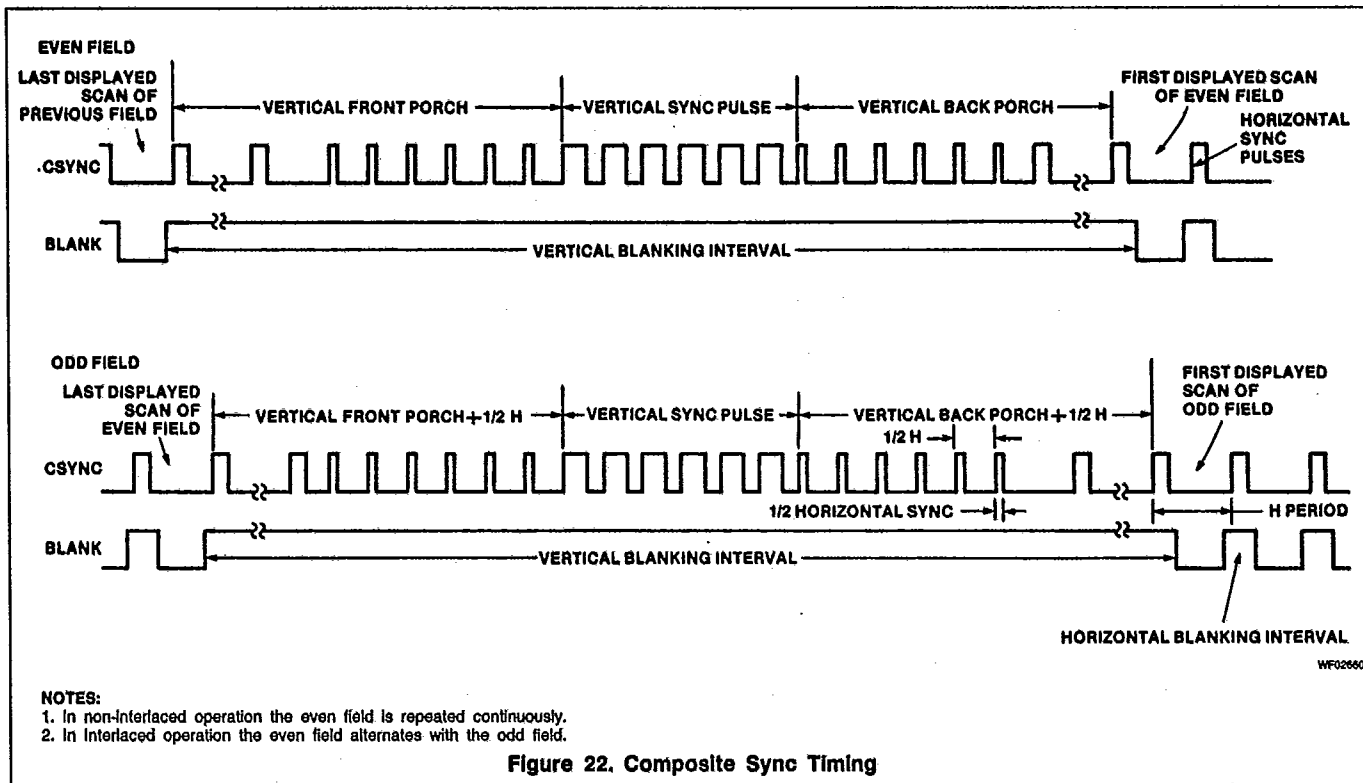


NAPC/ SIGNETICS

Advanced Video Display Controller (AVDC)

SCN2674/SCN2674T

T-52-33-47



DEFINITIONS

Data Sheet Identification	Product Status	Definition
Objective Specification	Formative or In Design	This data sheet contains the design target or goal specifications for product development. Specifications may change in any manner without notice.
Preliminary Specification	Preproduction Product	This data sheet contains preliminary data and supplementary data will be published at a later date. Signetics reserves the right to make changes at any time without notice in order to improve design and supply the best possible product.
Product Specification	Full Production	This data sheet contains Final Specifications. Signetics reserves the right to make changes at any time without notice in order to improve design and supply the best possible product.

Signetics reserves the right to make changes, without notice, in the products, including circuits, standard cells, and/or software, described or contained herein in order to improve design and/or performance. Signetics assumes no responsibility or liability for the use of any of these products, conveys no license or title under any patent, copyright, or mask work right to these products, and makes no representations or warranties that these products are free from patent, copyright, or mask work right infringement, unless otherwise specified. Applications that are described herein for any of these products are for illustrative purposes only. Signetics makes no representation or warranty that such applications will be suitable for the specified use without further testing or modification.

LIFE SUPPORT APPLICATIONS

Signetics' Products are not designed for use in life support appliances, devices, or systems where malfunction of a Signetics Product can reasonably be expected to result in a personal injury. Signetics' customers using or selling Signetics' Products for use in such applications do so at their own risk and agree to fully indemnify Signetics for any damages resulting in such improper use or sale.

Signetics

a subsidiary of U.S. Phillips Corporation

Signetics Corporation
 811 East Arques Avenue
 P.O. Box 3409
 Sunnyvale, California 94088-3409
 Telephone 408/991-2000

Signetics registers eligible circuits under the Semiconductor Chip Protection Act.
 © Copyright 1987 Signetics Corporation
 All rights reserved. Printed in U.S.A.
 98-8026-740 7301/DLR/5MCR10887