

Round Type

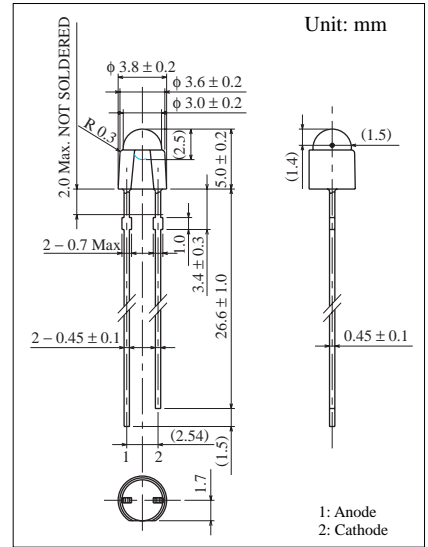
φ 3.0 mm InGaAlP

Conventional Part No. Global Part No. Lighting Color
 LNG898CK8 LNG898CK8 Orange
 LNG498CK4 LNG498CK4 Amber

■ Absolute Maximum Ratings (T_a = 25°C)

Lighting Color	P _D (mW)	I _F (mA)	V _R (V)	T _{opr} (°C)	T _{stg} (°C)
Orange	120	50	4	-25 ~ +85	-30 ~ +100
Amber	120	50	4	-25 ~ +85	-30 ~ +100

I_{FP}の条件は duty 10% Pulse width 1 msec. The condition of I_{FP} is duty 10%, Pulse width 1 msec



■ Electro-Optical Characteristics (T_a = 25°C)

Conventional Part No.	Lighting Color	Lens Color	I _O		I _F	V _F		λ _p	Δλ	I _F	I _R	
			Typ	Min		Typ	Max				Max	V _R
LNG898CK8	Orange	Clear	120	70	20	2.0	2.4	620	17	20	100	4
LNG498CK4	Amber	Clear	180	80	20	2.1	2.4	595	15	20	100	4
Unit	—	—	mcd	mcd	mA	V	V	nm	nm	mA	μA	V

