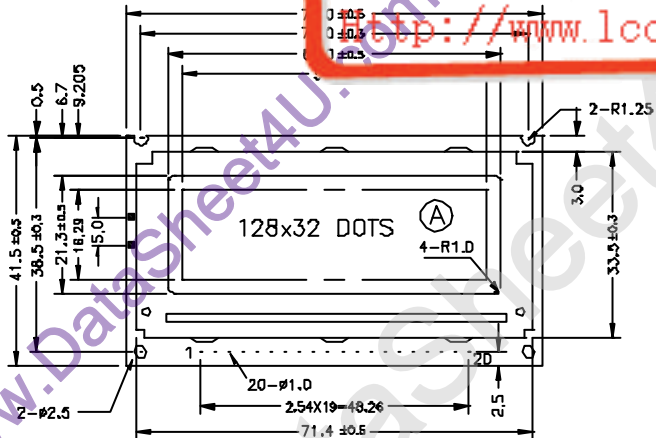
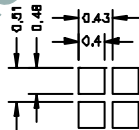


液晶之友 电话: 020-33819057  
<http://www.lcdfriends.com>



1	2	3	4	5	6	7	8	9	10	11	12	13	14	15	16	17	18	19	20
V <sub>DD</sub>	V <sub>DD</sub>	V <sub>DD</sub>	RST	RST	RST	RST	RST	RST	RST	RST	RST	RST	RST	RST	RST	RST	RST	RST	RST

TYPE	*1	*2
R&EL	7.0	10.0
LED	7.0	10.0



A BLOCK