

## Section 14 Electrical Characteristics

### 14.1 Absolute Maximum Ratings

Table 14-1 lists the absolute maximum ratings.

**Table 14-1 Absolute Maximum Ratings**

Item	Symbol	Value	Unit	
Power supply voltage	$V_{CC}$	-0.3 to +7.0	V	
Analog power supply voltage	$AV_{CC}$	-0.3 to +7.0	V	
Programming voltage	$V_{PP}$	-0.3 to +13.0	V	
Input voltage	Ports other than ports B and C	$V_{in}$	-0.3 to $V_{CC} + 0.3$	V
	Ports B and C	$AV_{in}$	-0.3 to $AV_{CC} + 0.3$	V
Operating temperature	$T_{opr}$	-20 to +75	°C	
Storage temperature	$T_{stg}$	-55 to +125	°C	

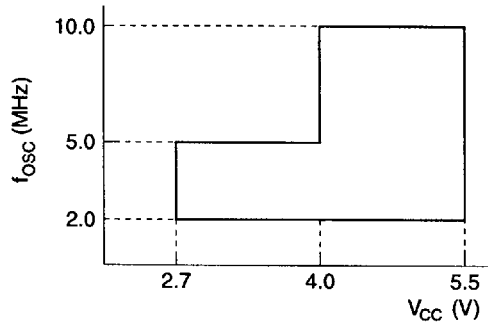
Note: Permanent damage may occur to the chip if maximum ratings are exceeded. Normal operation should be under the conditions specified in Electrical Characteristics. Exceeding these values can result in incorrect operation and reduced reliability.

## 14.2 H8/3834 Electrical Characteristics

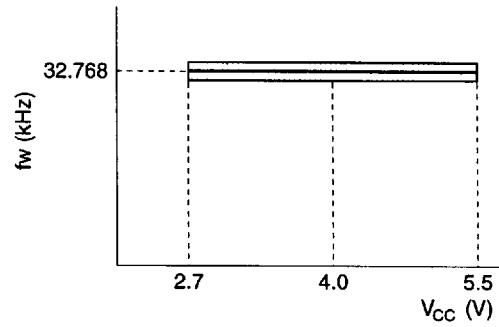
### 14.2.1 Power Supply Voltage and Operating Range

The power supply voltage and operating range are indicated by the shaded region in the figures below.

#### 1. Power supply voltage vs. oscillator frequency range

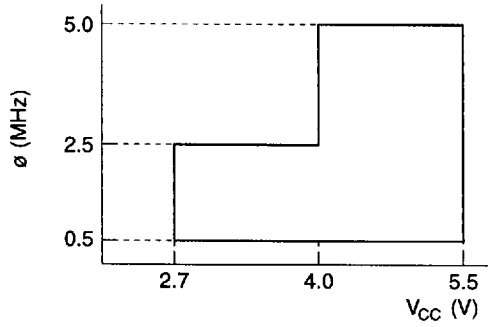


- Active mode (high speeds)
- Sleep mode

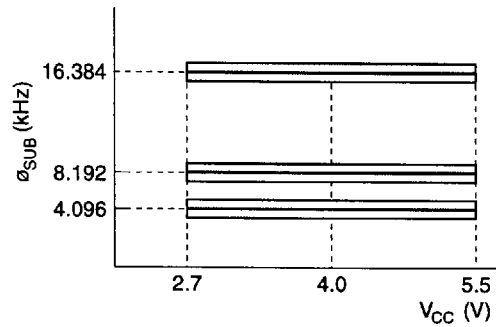


- All operating modes

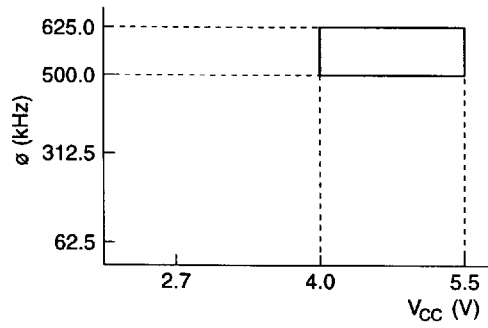
2. Power supply voltage vs. clock frequency range



- Active mode (high speed)
- Sleep mode (except CPU)

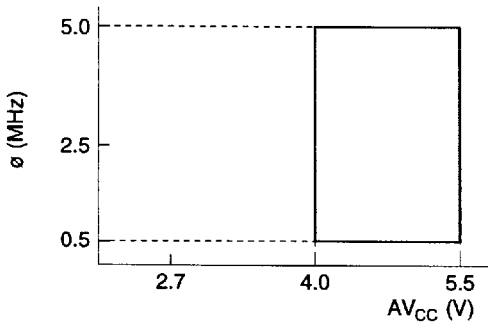


- Subactive mode
- Subsleep mode (except CPU)
- Watch mode (except CPU)

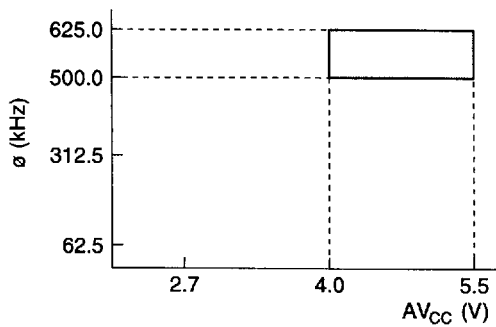


- Active mode (medium speed)

3. Analog power supply voltage vs. A/D converter operating range



- Active (high speed) mode
- Sleep mode



- Active (medium speed) mode

## 14.2.2 DC Characteristics

Table 14-2 lists the DC characteristics.

**Table 14-2 DC Characteristics**

$V_{CC} = 2.7\text{ V to }5.5\text{ V}$ ,  $AV_{CC} = 2.7\text{ V to }5.5\text{ V}$ ,  $V_{SS} = AV_{SS} = 0.0\text{ V}$ ,  $T_a = -20^\circ\text{C to }+75^\circ\text{C}$ , including subactive mode, unless otherwise indicated.

Item	Symbol	Applicable Pins	Min	Typ	Max	Unit	Test Condition	Note
Input high voltage	$V_{IH}$	$\overline{RES}$ , MD0, $\overline{WKP}_0$ to $\overline{WKP}_7$ , $\overline{IRQ}_0$ to $\overline{IRQ}_4$ , TMIB, TMIC, TMIF	$0.8 V_{CC}$	—	$V_{CC} + 0.3$	V	$V_{CC} = 4.0\text{ V to }5.5\text{ V}$	
		$\overline{CS}$ , TMIG, SCK <sub>1</sub> , SCK <sub>2</sub> , SCK <sub>3</sub> , ADTRG	$0.9 V_{CC}$	—	$V_{CC} + 0.3$			
		UD, SI <sub>1</sub> , SI <sub>2</sub> , RXD	$0.7 V_{CC}$	—	$V_{CC} + 0.3$	V	$V_{CC} = 4.0\text{ V to }5.5\text{ V}$	
			$0.8 V_{CC}$	—	$V_{CC} + 0.3$			
		OSC <sub>1</sub>	$V_{CC} - 0.5$	—	$V_{CC} + 0.3$	V	$V_{CC} = 4.0\text{ V to }5.5\text{ V}$	
			$V_{CC} - 0.3$	—	$V_{CC} + 0.3$			
		P1 <sub>0</sub> to P1 <sub>7</sub> P2 <sub>0</sub> to P2 <sub>7</sub> P3 <sub>0</sub> to P3 <sub>7</sub> P4 <sub>0</sub> to P4 <sub>3</sub> P5 <sub>0</sub> to P5 <sub>7</sub>	$0.7 V_{CC}$	—	$V_{CC} + 0.3$	V	$V_{CC} = 4.0\text{ V to }5.5\text{ V}$	
		P6 <sub>0</sub> to P6 <sub>7</sub> P7 <sub>0</sub> to P7 <sub>7</sub> P8 <sub>0</sub> to P8 <sub>7</sub> P9 <sub>0</sub> to P9 <sub>7</sub> PA <sub>0</sub> to PA <sub>3</sub>	$0.8 V_{CC}$	—	$V_{CC} + 0.3$			
		PB <sub>0</sub> to PB <sub>7</sub> PC <sub>0</sub> to PC <sub>3</sub>	$0.7 V_{CC}$	—	$AV_{CC} + 0.3$	V	$V_{CC} = 4.0\text{ V to }5.5\text{ V}$	
			$0.8 V_{CC}$	—	$AV_{CC} + 0.3$			
Input low voltage	$V_{IL}$	$\overline{RES}$ , MD0, $\overline{WKP}_0$ to $\overline{WKP}_7$ , $\overline{IRQ}_0$ to $\overline{IRQ}_4$ , TMIB, TMIC, TMIF,	-0.3	—	$0.2 V_{CC}$	V	$V_{CC} = 4.0\text{ V to }5.5\text{ V}$	
		$\overline{CS}$ , TMIG, SCK <sub>1</sub> , SCK <sub>2</sub> , SCK <sub>3</sub> , ADTRG	-0.3	—	$0.1 V_{CC}$			
		UD, SI <sub>1</sub> , SI <sub>2</sub> , RXD	-0.3	—	$0.3 V_{CC}$	V	$V_{CC} = 4.0\text{ V to }5.5\text{ V}$	
			-0.3	—	$0.2 V_{CC}$			
		OSC <sub>1</sub>	-0.3	—	0.5	V	$V_{CC} = 4.0\text{ V to }5.5\text{ V}$	
			-0.3	—	0.3			

Note: Connect pin TEST to  $V_{SS}$ .

**Table 14-2 DC Characteristics (cont)**

$V_{CC} = 2.7\text{ V to }5.5\text{ V}$ ,  $AV_{CC} = 2.7\text{ V to }5.5\text{ V}$ ,  $V_{SS} = AV_{SS} = 0.0\text{ V}$ ,  $T_a = -20^\circ\text{C to }+75^\circ\text{C}$ , including subactive mode, unless otherwise indicated.

Item	Symbol	Applicable Pins	Min	Typ	Max	Unit	Test Condition	Note
Input low voltage	$V_{IL}$	P1 <sub>0</sub> to P1 <sub>7</sub> P2 <sub>0</sub> to P2 <sub>7</sub> P3 <sub>0</sub> to P3 <sub>7</sub> P4 <sub>0</sub> to P4 <sub>3</sub> P5 <sub>0</sub> to P5 <sub>7</sub> P6 <sub>0</sub> to P6 <sub>7</sub>	-0.3	—	0.3 $V_{CC}$	V	$V_{CC} = 4.0\text{ V to }5.5\text{ V}$	
		P7 <sub>0</sub> to P7 <sub>7</sub> P8 <sub>0</sub> to P8 <sub>7</sub> P9 <sub>0</sub> to P9 <sub>7</sub> PA <sub>0</sub> to PA <sub>3</sub> PB <sub>0</sub> to PB <sub>7</sub> PC <sub>0</sub> to PC <sub>3</sub>	-0.3	—	0.2 $V_{CC}$			
Output high voltage	$V_{OH}$	P1 <sub>0</sub> to P1 <sub>7</sub> P2 <sub>0</sub> to P2 <sub>7</sub> P3 <sub>0</sub> to P3 <sub>7</sub>	$V_{CC} - 1.0$	—	—	V	$V_{CC} = 4.0\text{ V to }5.5\text{ V}$ $-I_{OH} = 1.0\text{ mA}$	
		P4 <sub>0</sub> to P4 <sub>2</sub> P5 <sub>0</sub> to P5 <sub>7</sub> P6 <sub>0</sub> to P6 <sub>7</sub>	$V_{CC} - 0.5$	—	—		$V_{CC} = 4.0\text{ V to }5.5\text{ V}$ $-I_{OH} = 0.5\text{ mA}$	
		P7 <sub>0</sub> to P7 <sub>7</sub> P8 <sub>0</sub> to P8 <sub>7</sub> P9 <sub>0</sub> to P9 <sub>7</sub> PA <sub>0</sub> to PA <sub>3</sub>	$V_{CC} - 0.5$	—	—		$-I_{OH} = 0.1\text{ mA}$	
Output low voltage	$V_{OL}$	P1 <sub>0</sub> to P1 <sub>7</sub> P4 <sub>0</sub> to P4 <sub>2</sub>	—	—	0.6	V	$V_{CC} = 4.0\text{ V to }5.5\text{ V}$ $I_{OL} = 1.6\text{ mA}$	
			—	—	0.5		$I_{OL} = 0.4\text{ mA}$	
		P5 <sub>0</sub> to P5 <sub>7</sub> P6 <sub>0</sub> to P6 <sub>7</sub> P7 <sub>0</sub> to P7 <sub>7</sub> P8 <sub>0</sub> to P8 <sub>7</sub> P9 <sub>0</sub> to P9 <sub>7</sub> PA <sub>0</sub> to PA <sub>3</sub>	—	—	0.5		$I_{OL} = 0.4\text{ mA}$	
		P2 <sub>0</sub> to P2 <sub>7</sub> P3 <sub>0</sub> to P3 <sub>7</sub>	—	—	1.5		$V_{CC} = 4.0\text{ V to }5.5\text{ V}$ $I_{OL} = 10\text{ mA}$	
			—	—	0.6		$V_{CC} = 4.0\text{ V to }5.5\text{ V}$ $I_{OL} = 1.6\text{ mA}$	
			—	—	0.5		$I_{OL} = 0.4\text{ mA}$	

Note: Connect pin TEST to  $V_{SS}$ .

**Table 14-2 DC Characteristics (cont)**

$V_{CC} = 2.7\text{ V to }5.5\text{ V}$ ,  $AV_{CC} = 2.7\text{ V to }5.5\text{ V}$ ,  $V_{SS} = AV_{SS} = 0.0\text{ V}$ ,  $T_a = -20^\circ\text{C to }+75^\circ\text{C}$ , including subactive mode, unless otherwise indicated.

Item	Symbol	Applicable Pins	Min	Typ	Max	Unit	Test Condition	Note	
Input leakage current	$I_{IL}$	$\overline{RES}$ , P4 <sub>3</sub>	—	—	20	$\mu\text{A}$	$V_{IN} = 0.5\text{ V to }V_{CC} - 0.5\text{ V}$	2	
			—	—	1			1	
Input leakage current		OSC <sub>1</sub> , MD0 P1 <sub>0</sub> to P1 <sub>7</sub> P2 <sub>0</sub> to P2 <sub>7</sub> P3 <sub>0</sub> to P3 <sub>7</sub> P4 <sub>0</sub> to P4 <sub>2</sub> P5 <sub>0</sub> to P5 <sub>7</sub> P6 <sub>0</sub> to P6 <sub>7</sub> P7 <sub>0</sub> to P7 <sub>7</sub> P8 <sub>0</sub> to P8 <sub>7</sub> P9 <sub>0</sub> to P9 <sub>7</sub> PA <sub>0</sub> to PA <sub>3</sub>	—	—	1	$\mu\text{A}$	$V_{IN} = 0.5\text{ V to }V_{CC} - 0.5\text{ V}$		
Pull-up MOS current	$-I_P$	P1 <sub>0</sub> to P1 <sub>7</sub> P3 <sub>0</sub> to P3 <sub>7</sub>	50	—	300	$\mu\text{A}$	$V_{CC} = 5\text{ V}$ , $V_{IN} = 0\text{ V}$		
		P5 <sub>0</sub> to P5 <sub>7</sub> P6 <sub>0</sub> to P6 <sub>7</sub>	—	35	—			$\mu\text{A}$	$V_{CC} = 2.7\text{ V}$ , $V_{IN} = 0\text{ V}$
Input capacitance	$C_{IN}$	All input pins except power supply $\overline{RES}$ , P4 <sub>3</sub> pin	—	—	15	$\text{pF}$	$f = 1\text{ MHz}$ , $V_{IN} = 0\text{ V}$ , $T_a = 25^\circ\text{C}$		
			$\overline{RES}$	—	—			60	2
				—	—			15	1
			P4 <sub>3</sub>	—	—			30	2
			—	—	15		1		

Notes: 1. Applies to HD6433834.  
2. Applies to HD6473834.

**Table 14-2 DC Characteristics (cont)**

$V_{CC} = 2.7\text{ V to }5.5\text{ V}$ ,  $AV_{CC} = 2.7\text{ V to }5.5\text{ V}$ ,  $V_{SS} = AV_{SS} = 0.0\text{ V}$ ,  $T_a = -20^\circ\text{C to }+75^\circ\text{C}$ , including subactive mode, unless otherwise indicated.

Item	Symbol	Applicable Pins	Min	Typ	Max	Unit	Test Condition	Note
Active mode current dissipation	$I_{OPE1}$	$V_{CC}$	—	12	24	mA	Active mode (high speed), $V_{CC} = 5\text{ V}$ , $f_{osc} = 10\text{ MHz}$	1, 2
	$I_{OPE2}$	$V_{CC}$	—	2.5	5	mA	Active mode (medium speed), $V_{CC} = 5\text{ V}$ , $f_{osc} = 10\text{ MHz}$	1, 2
Sleep mode current dissipation	$I_{SLEEP}$	$V_{CC}$	—	5	10	mA	$V_{CC} = 5\text{ V}$ , $f_{osc} = 10\text{ MHz}$	1, 2
Subactive mode current dissipation	$I_{SUB}$	$V_{CC}$	—	50	130	$\mu\text{A}$	$V_{CC} = 2.7\text{ V}$ , LCD on, 32-kHz crystal oscillator ( $\theta_{SUB} = \theta_{W/2}$ )	1, 2
			—	40	—	$\mu\text{A}$	$V_{CC} = 2.7\text{ V}$ , LCD on, 32-kHz crystal oscillator ( $\theta_{SUB} = \theta_{W/8}$ )	Reference value 1, 2
Subsleep mode current dissipation	$I_{SUBSP}$	$V_{CC}$	—	40	90	$\mu\text{A}$	$V_{CC} = 2.7\text{ V}$ , LCD on, 32-kHz crystal oscillator ( $\theta_{SUB} = \theta_{W/2}$ )	1, 2
Watch mode current dissipation	$I_{WATCH}$	$V_{CC}$	—	—	6	$\mu\text{A}$	$V_{CC} = 2.7\text{ V}$ , LCD not used, 32-kHz crystal oscillator ( $\theta_{SUB} = \theta_{W/8}$ )	1, 2
Standby mode current dissipation	$I_{STBY}$	$V_{CC}$	—	—	5	$\mu\text{A}$	32-kHz crystal oscillator not used	1, 2
RAM data retaining voltage	$V_{RAM}$	$V_{CC}$	2	—	—	V		1, 2

Notes: 1. Pin states during current measurement

Mode	$\overline{RES}$ Pin	Internal State	Other Pins	LCD Power Supply	Oscillator Pins
Active mode (high and medium speed)	$V_{CC}$	Operates	$V_{CC}$	Open	System clock oscillator: Crystal Subclock oscillator: Pin $X_1 = V_{CC}$
Sleep mode	$V_{CC}$	Only timer operates	$V_{CC}$	Open	
Subactive mode	$V_{CC}$	Operates	$V_{CC}$	Open	System clock oscillator: Crystal Subclock oscillator: Crystal
Subsleep mode	$V_{CC}$	Only timer operates, CPU stops	$V_{CC}$	Open	
Watch mode	$V_{CC}$	Only time-base clock operates, CPU stops	$V_{CC}$	Open	
Standby mode	$V_{CC}$	CPU and timers all stop	$V_{CC}$	Open	System clock oscillator: Crystal Subclock oscillator: Pin $X_1 = V_{CC}$

2. Excludes current in pull-up MOS transistors and output buffers.

**Table 14-2 DC Characteristics (cont)**

$V_{CC} = 2.7\text{ V to }5.5\text{ V}$ ,  $AV_{CC} = 2.7\text{ V to }5.5\text{ V}$ ,  $V_{SS} = AV_{SS} = 0.0\text{ V}$ ,  $T_a = -20^\circ\text{C to }+75^\circ\text{C}$ , including subactive mode, unless otherwise indicated.

Item	Symbol	Applicable Pins	Min	Typ	Max	Unit	Test Condition
Allowable output low current (per pin)	$I_{OL}$	Output pins except in ports 2 and 3	—	—	2	mA	$V_{CC} = 4.0\text{ V to }5.5\text{ V}$
		Ports 2 and 3	—	—	10		$V_{CC} = 4.0\text{ V to }5.5\text{ V}$
		All output pins	—	—	0.5		
Allowable output low current (total)	$\Sigma I_{OL}$	Output pins except in ports 2 and 3	—	—	40	mA	$V_{CC} = 4.0\text{ V to }5.5\text{ V}$
		Ports 2 and 3	—	—	80		$V_{CC} = 4.0\text{ V to }5.5\text{ V}$
		All output pins	—	—	20		
Allowable output high current (per pin)	$-I_{OH}$	All output pins	—	—	2	mA	$V_{CC} = 4.0\text{ V to }5.5\text{ V}$
			—	—	0.2		
Allowable output high current (total)	$\Sigma -I_{OH}$	All output pins	—	—	15	mA	$V_{CC} = 4.0\text{ V to }5.5\text{ V}$
			—	—	10		



### 14.2.3 AC Characteristics

Table 14-3 lists the control signal timing, and tables 14-4 and 14-5 list the serial interface timing.

**Table 14-3 Control Signal Timing**

$V_{CC} = 2.7\text{ V to }5.5\text{ V}$ ,  $AV_{CC} = 2.7\text{ V to }5.5\text{ V}$ ,  $V_{SS} = AV_{SS} = 0.0\text{ V}$ ,  $T_a = -20^\circ\text{C to }+75^\circ\text{C}$ , including subactive mode, unless otherwise specified.

Item	Symbol	Applicable Pins	Min	Typ	Max	Unit	Test Condition	Reference Figure
System clock oscillation frequency	$f_{OSC}$	OSC <sub>1</sub> , OSC <sub>2</sub>	2	—	10	MHz	$V_{CC} = 4.0\text{ V to }5.5\text{ V}$	
			2	—	5			
OSC clock ( $\emptyset_{OSC}$ ) cycle time	$t_{OSC}$	OSC <sub>1</sub> , OSC <sub>2</sub>	100	—	1000	ns	$V_{CC} = 4.0\text{ V to }5.5\text{ V}$	1
			200	—	1000			Figure 14-1
System clock ( $\emptyset$ ) cycle time	$t_{cyc}$		2	—	16	$t_{OSC}$		1
			—	—	2000	ns		
Subclock oscillation frequency	$f_W$	X <sub>1</sub> , X <sub>2</sub>	—	32.678	—	kHz		
Watch clock cycle time	$t_W$	X <sub>1</sub> , X <sub>2</sub>	—	30.5	—	$\mu\text{s}$		
Subclock ( $\emptyset_{SUB}$ ) cycle time	$t_{subcyc}$		2	—	8	$t_W$		2
Instruction cycle time			2	—	—	$t_{cyc}$ $t_{subcyc}$		
Oscillation stabilization time (crystal oscillator)	$t_{rc}$	OSC <sub>1</sub> , OSC <sub>2</sub>	—	—	40	ms	$V_{CC} = 4.0\text{ V to }5.5\text{ V}$	
			—	—	60			
Oscillation stabilization time	$t_{rc}$	X <sub>1</sub> , X <sub>2</sub>	—	—	2	s		
External clock high width	$t_{CPH}$	OSC <sub>1</sub>	40	—	—	ns	$V_{CC} = 4.0\text{ V to }5.5\text{ V}$	Figure 14-1
			80	—	—			
External clock low width	$t_{CPL}$	OSC <sub>1</sub>	40	—	—	ns	$V_{CC} = 4.0\text{ V to }5.5\text{ V}$	Figure 14-1
			80	—	—			
External clock rise time	$t_{CPr}$		—	—	15	ns	$V_{CC} = 4.0\text{ V to }5.5\text{ V}$	Figure 14-1
			—	—	20			
External clock fall time	$t_{CPf}$		—	—	15	ns	$V_{CC} = 4.0\text{ V to }5.5\text{ V}$	Figure 14-1
			—	—	20			
Pin $\overline{\text{RES}}$ low width	$t_{REL}$	$\overline{\text{RES}}$	10	—	—	$t_{cyc}$		Figure 14-2

- Notes: 1. A frequency between 1 MHz to 10 MHz is required when an external clock is input.  
2. Selected with SA1 and SA0 of system clock control register 2 (SYSCR2).

**Table 14-3 Control Signal Timing (cont)**

$V_{CC} = 2.7\text{ V to }5.5\text{ V}$ ,  $AV_{CC} = 2.7\text{ V to }5.5\text{ V}$ ,  $V_{SS} = AV_{SS} = 0.0\text{ V}$ ,  $T_a = -20^\circ\text{C to }+75^\circ\text{C}$ , including subactive mode, unless otherwise specified.

Item	Symbol	Applicable Pins	Min	Typ	Max	Unit	Test Condition	Reference Figure
Input pin high width	$t_{IH}$	$\overline{IRQ}_0$ to $\overline{IRQ}_4$ $\overline{WKP}_0$ to $\overline{WKP}_7$ ADTRG TMIB, TMIC TMIF, TMIG	2	—	—	$t_{cyc}$ $t_{subcyc}$		Figure 14-3
Input pin low width	$t_{IL}$	$\overline{IRQ}_0$ to $\overline{IRQ}_4$ $\overline{WKP}_0$ to $\overline{WKP}_7$ ADTRG TMIB, TMIC TMIF, TMIG	2	—	—	$t_{cyc}$ $t_{subcyc}$		Figure 14-3
Pin UD minimum modulation width	$t_{UDH}$ $t_{UDL}$	UD	4	—	—	$t_{cyc}$ $t_{subcyc}$		Figure 14-4

**Table 14-4 Serial Interface (SCI1, SCI2) Timing**

$V_{CC} = 2.7\text{ V to }5.5\text{ V}$ ,  $AV_{CC} = 2.7\text{ V to }5.5\text{ V}$ ,  $V_{SS} = AV_{SS} = 0.0\text{ V}$ ,  $T_a = -20^\circ\text{C to }+75^\circ\text{C}$ , unless otherwise specified.

Item	Symbol	Applicable Pins	Min	Typ	Max	Unit	Test Condition	Reference Figure
Input serial clock cycle time	$t_{scyc}$	SCK <sub>1</sub> , SCK <sub>2</sub>	2	—	—	$t_{cyc}$		Figure 14-5
Input serial clock high width	$t_{SCKH}$	SCK <sub>1</sub> , SCK <sub>2</sub>	0.4	—	—	$t_{scyc}$		Figure 14-5
Input serial clock low width	$t_{SCKL}$	SCK <sub>1</sub> , SCK <sub>2</sub>	0.4	—	—	$t_{scyc}$		Figure 14-5
Input serial clock rise time	$t_{SCKr}$	SCK <sub>1</sub> , SCK <sub>2</sub>	—	—	60 80	ns	$V_{CC} = 4.0\text{ V to }5.5\text{ V}$	Figure 14-5
Input serial clock fall time	$t_{SCKf}$	SCK <sub>1</sub> , SCK <sub>2</sub>	—	—	60 80	ns	$V_{CC} = 4.0\text{ V to }5.5\text{ V}$	Figure 14-5
Serial output data delay time	$t_{SOD}$	SO <sub>1</sub> , SO <sub>2</sub>	—	—	200 350	ns	$V_{CC} = 4.0\text{ V to }5.5\text{ V}$	Figure 14-5
Serial input data setup time	$t_{SIS}$	SI <sub>1</sub> , SI <sub>2</sub>	200 400	—	—	ns	$V_{CC} = 4.0\text{ V to }5.5\text{ V}$	Figure 14-5
Serial input data hold time	$t_{SIH}$	SI <sub>1</sub> , SI <sub>2</sub>	200 400	—	—	ns	$V_{CC} = 4.0\text{ V to }5.5\text{ V}$	Figure 14-5
CS setup time	$t_{CSS}$	$\overline{CS}$	2	—	—	$t_{cyc}$		Figure 14-6
$\overline{CS}$ hold time	$t_{CSH}$	$\overline{CS}$	2	—	—	$t_{cyc}$		Figure 14-6

**Table 14-5 Serial Interface (SCI3) Timing**

$V_{CC} = 2.7\text{ V to }5.5\text{ V}$ ,  $AV_{CC} = 2.7\text{ V to }5.5\text{ V}$ ,  $V_{SS} = AV_{SS} = 0.0\text{ V}$ ,  $T_a = -20^\circ\text{C to }+75^\circ\text{C}$ , unless otherwise specified.

Item	Symbol	Min	Typ	Max	Unit	Test Condition	Reference Figure
Input clock cycle	Asynchronous	$t_{scyc}$	4	—	—	$t_{cyc}$	Figure 14-7
	Synchronous		6	—	—		
Input clock pulse width	$t_{SCKW}$	0.4	—	0.6	$t_{scyc}$		Figure 14-7
Transmit data delay time (synchronous mode)	$t_{TXD}$	—	—	1	$t_{cyc}$	$V_{CC} = 4.0\text{ V to }5.5\text{ V}$	Figure 14-8
Receive data setup time (synchronous mode)	$t_{RXS}$	200	—	—	ns	$V_{CC} = 4.0\text{ V to }5.5\text{ V}$	Figure 14-8
		400	—	—			
Receive data hold time (synchronous mode)	$t_{RXH}$	200	—	—	ns	$V_{CC} = 4.0\text{ V to }5.5\text{ V}$	Figure 14-8
		400	—	—			

#### 14.2.4 A/D Converter Characteristics

Table 14-6 shows the A/D converter characteristics.

**Table 14-6 A/D Converter Characteristics**

$V_{CC} = 2.7\text{ V to }5.5\text{ V}$ ,  $AV_{SS} = V_{SS} = 0.0\text{ V}$ ,  $T_a = -20^\circ\text{C to }+75^\circ\text{C}$ , unless otherwise specified.

Item	Symbol	Applicable Pins	Min	Typ	Max	Unit	Test Condition	Note
Analog power supply voltage	$AV_{CC}$	$AV_{CC}$	4.0	—	5.5	V		1
Analog input voltage	$AV_{IN}$	$AN_0$ to $AN_{11}$	-0.3	—	$AV_{CC} + 0.3$	V		
Analog power supply current	$AI_{OPE}$	$AV_{CC}$	—	—	1.5	mA	$AV_{CC} = 5.0\text{ V}$	
	$AI_{STOP1}$	$AV_{CC}$	—	150	—	$\mu\text{A}$		2 Reference value
	$AI_{STOP2}$	$AV_{CC}$	—	—	5	$\mu\text{A}$		3
Analog input capacitance	$C_{AIN}$	$AN_0$ to $AN_{11}$	—	—	30	pF		
Allowable signal source impedance	$R_{AIN}$		—	—	10	k $\Omega$		
Resolution (data length)			—	—	8	bit		
Non-linearity error			—	—	$\pm 2.0$	LSB		
Quantization error			—	—	$\pm 0.5$	LSB		
Absolute accuracy			—	—	$\pm 2.5$	LSB		
Conversion time			12.4	—	124	$\mu\text{s}$	$AV_{CC} = 4.5\text{ V to }5.5\text{ V}$	
			24.8	—	124			

- Notes: 1. Set  $AV_{CC} = V_{CC}$  when the A/D converter is not used.  
 2.  $AI_{STOP1}$  is the current in active and sleep modes while the A/D converter is idle.  
 3.  $AI_{STOP2}$  is the current at reset and in standby, watch, subactive, and subsleep modes while the A/D converter is idle.

### 14.2.5 LCD Characteristics

Table 14-7 lists the LCD characteristics, and table 14-8 lists the AC characteristics for external segment expansion.

**Table 14-7 LCD Characteristics**

$V_{CC} = 2.7\text{ V to }5.5\text{ V}$ ,  $AV_{CC} = 2.7\text{ V to }5.5\text{ V}$ ,  $V_{SS} = AV_{SS} = 0.0\text{ V}$ ,  $T_a = -20^\circ\text{C to }+75^\circ\text{C}$ , including subactive mode, unless otherwise specified.

Item	Symbol	Applicable Pins	Min	Typ	Max	Unit	Test Condition	Note
Segment driver voltage drop	$V_{DS}$	SEG <sub>1</sub> to SEG <sub>40</sub>	—	—	0.6	V	$I_D = 2\ \mu\text{A}$	1
Common driver voltage drop	$V_{DC}$	COM <sub>1</sub> to COM <sub>4</sub>	—	—	0.3	V	$I_D = 2\ \mu\text{A}$	1
LCD power supply voltage divider resistance	$R_{LCD}$		50	300	900	k $\Omega$	Between $V_1$ and $V_{SS}$	
LCD power supply voltage	$V_{LCD}$	$V_1$	2.7	—	$V_{CC}$	V		2

Notes: 1. These are the voltage drops between the voltage supply pins  $V_1$ ,  $V_2$ ,  $V_3$ , and  $V_{SS}$ , and the segment pins or common pins.  
 2. When  $V_{LCD}$  is supplied from an external source, the following relation must hold:  $V_{CC} \geq V_1 \geq V_2 \geq V_3 \geq V_{SS}$

**Table 14-8 AC Characteristics for External Segment Expansion**

$V_{CC} = 2.7\text{ V to }5.5\text{ V}$ ,  $AV_{CC} = 2.7\text{ V to }5.5\text{ V}$ ,  $V_{SS} = AV_{SS} = 0.0\text{ V}$ ,  $T_a = -20^\circ\text{C to }+75^\circ\text{C}$ , including subactive mode, unless otherwise specified.

Item	Symbol	Applicable Pins	Min	Typ	Max	Unit	Test Condition	Reference Figure
Clock high width	$t_{CWH}$	CL <sub>1</sub> , CL <sub>2</sub>	800	—	—	ns	*	Figure 14-9
Clock low width	$t_{CWL}$	CL <sub>2</sub>	800	—	—	ns	*	Figure 14-9
Clock setup time	$t_{CSU}$	CL <sub>1</sub> , CL <sub>2</sub>	500	—	—	ns	*	Figure 14-9
Data setup time	$t_{SU}$	DO	300	—	—	ns	*	Figure 14-9
Data hold time	$t_{DH}$	DO	300	—	—	ns	*	Figure 14-9
M delay time	$t_{DM}$	M	-1000	—	1000	ns		Figure 14-9
Clock rise and fall times	$t_{CT}$	CL <sub>1</sub> , CL <sub>2</sub>	—	—	100	ns		Figure 14-9

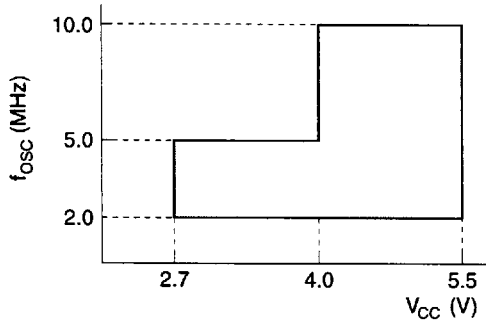
Note: \* Value when the frame frequency is set to between 30.5 Hz and 488 Hz.

## 14.3 H8/3836, H8/3837 Electrical Characteristics

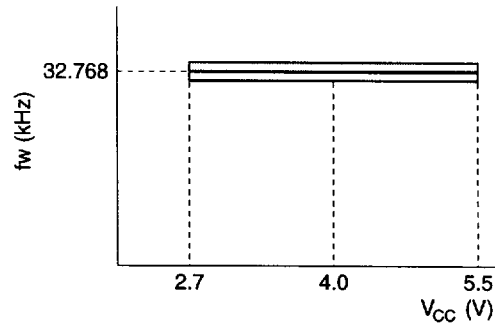
### 14.3.1 Power Supply Voltage and Operating Range

The power supply voltage and operating range are indicated by the shaded region in the figures below.

#### 1. Power supply voltage vs. oscillator frequency range

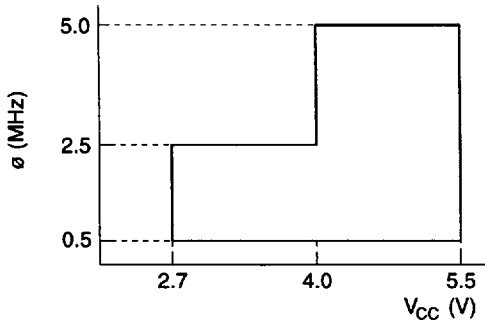


- Active mode (high speeds)
- Sleep mode

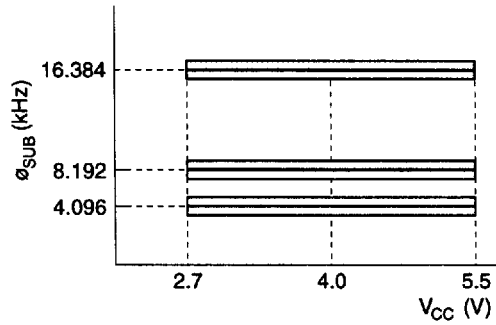


- All operating modes

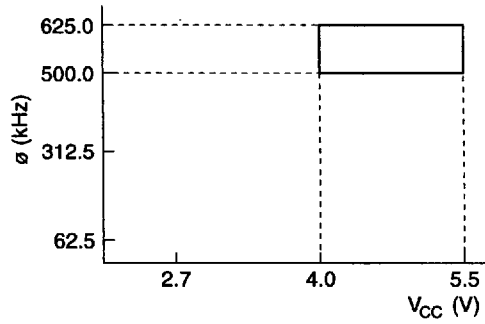
2. Power supply voltage vs. clock frequency range



- Active mode (high speed)
- Sleep mode (except CPU)

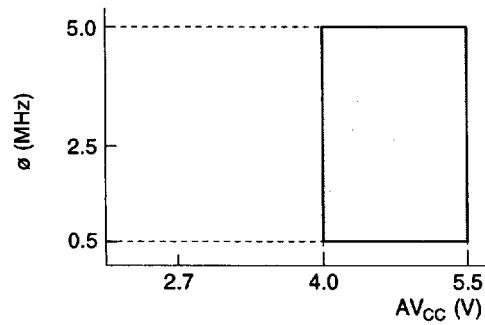


- Subactive mode
- Subsleep mode (except CPU)
- Watch mode (except CPU)

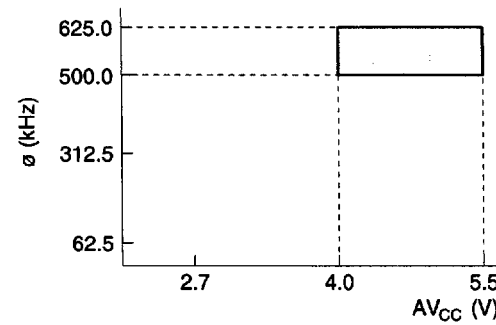


- Active mode (medium speed)

3. Analog power supply voltage vs. A/D converter operating range



- Active (high speed) mode
- Sleep mode



- Active (medium speed) mode

### 14.3.2 DC Characteristics

Table 14-9 lists the DC characteristics.

**Table 14-9 DC Characteristics**

$V_{CC} = 2.7\text{ V to }5.5\text{ V}$ ,  $AV_{CC} = 2.7\text{ V to }5.5\text{ V}$ ,  $V_{SS} = AV_{SS} = 0.0\text{ V}$ ,  $T_a = -20^\circ\text{C to }+75^\circ\text{C}$ , including subactive mode, unless otherwise indicated.

Item	Symbol	Applicable Pins	Min	Typ	Max	Unit	Test Condition	Note
Input high voltage	$V_{IH}$	$\overline{RES}$ , MD0, $\overline{WKP}_0$ to $\overline{WKP}_7$ , $\overline{IRQ}_0$ to $\overline{IRQ}_4$ , TMIB, TMIC, TMIF	$0.8 V_{CC}$	—	$V_{CC} + 0.3$	V	$V_{CC} = 4.0\text{ V to }5.5\text{ V}$	
		$\overline{CS}$ , TMIG, SCK <sub>1</sub> , SCK <sub>2</sub> , SCK <sub>3</sub> , ADTRG	$0.9 V_{CC}$	—	$V_{CC} + 0.3$			
		UD, SI <sub>1</sub> , SI <sub>2</sub> , RXD	$0.7 V_{CC}$	—	$V_{CC} + 0.3$	V	$V_{CC} = 4.0\text{ V to }5.5\text{ V}$	
			$0.8 V_{CC}$	—	$V_{CC} + 0.3$			
		OSC <sub>1</sub>	$V_{CC} - 0.5$	—	$V_{CC} + 0.3$	V	$V_{CC} = 4.0\text{ V to }5.5\text{ V}$	
			$V_{CC} - 0.3$	—	$V_{CC} + 0.3$			
		P1 <sub>0</sub> to P1 <sub>7</sub> P2 <sub>0</sub> to P2 <sub>7</sub> P3 <sub>0</sub> to P3 <sub>7</sub> P4 <sub>0</sub> to P4 <sub>3</sub> P5 <sub>0</sub> to P5 <sub>7</sub>	$0.7 V_{CC}$	—	$V_{CC} + 0.3$	V	$V_{CC} = 4.0\text{ V to }5.5\text{ V}$	
		P6 <sub>0</sub> to P6 <sub>7</sub> P7 <sub>0</sub> to P7 <sub>7</sub> P8 <sub>0</sub> to P8 <sub>7</sub> P9 <sub>0</sub> to P9 <sub>7</sub> PA <sub>0</sub> to PA <sub>3</sub>	$0.8 V_{CC}$	—	$V_{CC} + 0.3$			
		PB <sub>0</sub> to PB <sub>7</sub> PC <sub>0</sub> to PC <sub>3</sub>	$0.7 V_{CC}$	—	$AV_{CC} + 0.3$	V	$V_{CC} = 4.0\text{ V to }5.5\text{ V}$	
			$0.8 V_{CC}$	—	$AV_{CC} + 0.3$			
Input low voltage	$V_{IL}$	$\overline{RES}$ , MD0, $\overline{WKP}_0$ to $\overline{WKP}_7$ , $\overline{IRQ}_0$ to $\overline{IRQ}_4$ , TMIB, TMIC, TMIF,	-0.3	—	$0.2 V_{CC}$	V	$V_{CC} = 4.0\text{ V to }5.5\text{ V}$	
		$\overline{CS}$ , TMIG, SCK <sub>1</sub> , SCK <sub>2</sub> , SCK <sub>3</sub> , ADTRG	-0.3	—	$0.1 V_{CC}$			
		UD, SI <sub>1</sub> , SI <sub>2</sub> , RXD	-0.3	—	$0.3 V_{CC}$	V	$V_{CC} = 4.0\text{ V to }5.5\text{ V}$	
			-0.3	—	$0.2 V_{CC}$			
		OSC <sub>1</sub>	-0.3	—	0.5	V	$V_{CC} = 4.0\text{ V to }5.5\text{ V}$	
			-0.3	—	0.3			

Note: Connect pin TEST to  $V_{SS}$ .



**Table 14-9 DC Characteristics (cont)**

$V_{CC} = 2.7\text{ V to }5.5\text{ V}$ ,  $AV_{CC} = 2.7\text{ V to }5.5\text{ V}$ ,  $V_{SS} = AV_{SS} = 0.0\text{ V}$ ,  $T_a = -20^\circ\text{C to }+75^\circ\text{C}$ , including subactive mode, unless otherwise indicated.

Item	Symbol	Applicable Pins	Min	Typ	Max	Unit	Test Condition	Note
Input low voltage	$V_{IL}$	P1 <sub>0</sub> to P1 <sub>7</sub> P2 <sub>0</sub> to P2 <sub>7</sub> P3 <sub>0</sub> to P3 <sub>7</sub> P4 <sub>0</sub> to P4 <sub>3</sub> P5 <sub>0</sub> to P5 <sub>7</sub> P6 <sub>0</sub> to P6 <sub>7</sub>	-0.3	—	0.3 $V_{CC}$	V	$V_{CC} = 4.0\text{ V to }5.5\text{ V}$	
		P7 <sub>0</sub> to P7 <sub>7</sub> P8 <sub>0</sub> to P8 <sub>7</sub> P9 <sub>0</sub> to P9 <sub>7</sub> PA <sub>0</sub> to PA <sub>3</sub> PB <sub>0</sub> to PB <sub>7</sub> PC <sub>0</sub> to PC <sub>3</sub>	-0.3	—	0.2 $V_{CC}$			
Output high voltage	$V_{OH}$	P1 <sub>0</sub> to P1 <sub>7</sub> P2 <sub>0</sub> to P2 <sub>7</sub> P3 <sub>0</sub> to P3 <sub>7</sub>	$V_{CC} - 1.0$	—	—	V	$V_{CC} = 4.0\text{ V to }5.5\text{ V}$ $-I_{OH} = 1.0\text{ mA}$	
		P4 <sub>0</sub> to P4 <sub>2</sub> P5 <sub>0</sub> to P5 <sub>7</sub> P6 <sub>0</sub> to P6 <sub>7</sub>	$V_{CC} - 0.5$	—	—		$V_{CC} = 4.0\text{ V to }5.5\text{ V}$ $-I_{OH} = 0.5\text{ mA}$	
		P7 <sub>0</sub> to P7 <sub>7</sub> P8 <sub>0</sub> to P8 <sub>7</sub> P9 <sub>0</sub> to P9 <sub>7</sub> PA <sub>0</sub> to PA <sub>3</sub>	$V_{CC} - 0.5$	—	—		$-I_{OH} = 0.1\text{ mA}$	
Output low voltage	$V_{OL}$	P1 <sub>0</sub> to P1 <sub>7</sub> P4 <sub>0</sub> to P4 <sub>2</sub>	—	—	0.6	V	$V_{CC} = 4.0\text{ V to }5.5\text{ V}$ $I_{OL} = 1.6\text{ mA}$	
			—	—	0.5		$I_{OL} = 0.4\text{ mA}$	
		P5 <sub>0</sub> to P5 <sub>7</sub> P6 <sub>0</sub> to P6 <sub>7</sub> P7 <sub>0</sub> to P7 <sub>7</sub> P8 <sub>0</sub> to P8 <sub>7</sub> P9 <sub>0</sub> to P9 <sub>7</sub> PA <sub>0</sub> to PA <sub>3</sub>	—	—	0.5		$I_{OL} = 0.4\text{ mA}$	
		P2 <sub>0</sub> to P2 <sub>7</sub> P3 <sub>0</sub> to P3 <sub>7</sub>	—	—	1.5		$V_{CC} = 4.0\text{ V to }5.5\text{ V}$ $I_{OL} = 10\text{ mA}$	
			—	—	0.6		$V_{CC} = 4.0\text{ V to }5.5\text{ V}$ $I_{OL} = 1.6\text{ mA}$	
			—	—	0.5		$I_{OL} = 0.4\text{ mA}$	

Note: Connect pin TEST to  $V_{SS}$ .

**Table 14-9 DC Characteristics (cont)**

$V_{CC} = 2.7\text{ V to }5.5\text{ V}$ ,  $AV_{CC} = 2.7\text{ V to }5.5\text{ V}$ ,  $V_{SS} = AV_{SS} = 0.0\text{ V}$ ,  $T_a = -20^\circ\text{C to }+75^\circ\text{C}$ , including subactive mode, unless otherwise indicated.

Item	Symbol	Applicable Pins	Min	Typ	Max	Unit	Test Condition	Note	
Input leakage current	$I_{IL}$	RES, P4 <sub>3</sub>	—	—	20	μA	$V_{IN} = 0.5\text{ V to }V_{CC} - 0.5\text{ V}$	2	
			—	—	1			1	
		OSC <sub>1</sub> , MD0	—	—	1	μA	$V_{IN} = 0.5\text{ V to }V_{CC} - 0.5\text{ V}$		
		P1 <sub>0</sub> to P1 <sub>7</sub> P2 <sub>0</sub> to P2 <sub>7</sub> P3 <sub>0</sub> to P3 <sub>7</sub> P4 <sub>0</sub> to P4 <sub>2</sub> P5 <sub>0</sub> to P5 <sub>7</sub> P6 <sub>0</sub> to P6 <sub>7</sub> P7 <sub>0</sub> to P7 <sub>7</sub> P8 <sub>0</sub> to P8 <sub>7</sub> P9 <sub>0</sub> to P9 <sub>7</sub> PA <sub>0</sub> to PA <sub>3</sub> PB <sub>0</sub> to PB <sub>7</sub> PC <sub>0</sub> to PC <sub>3</sub>	—	—	1				$V_{IN} = 0.5\text{ V to }AV_{CC} - 0.5\text{ V}$
Pull-up MOS current	$-I_P$	P1 <sub>0</sub> to P1 <sub>7</sub> P3 <sub>0</sub> to P3 <sub>7</sub>	50	—	300	μA	$V_{CC} = 5\text{ V}, V_{IN} = 0\text{ V}$		
		P5 <sub>0</sub> to P5 <sub>7</sub> P6 <sub>0</sub> to P6 <sub>7</sub>	—	35	—				μA
Input capacitance	$C_{IN}$	All input pins except power supply RES P4 <sub>3</sub> pin	—	—	15	pF	$f = 1\text{ MHz}, V_{IN} = 0\text{ V}, T_a = 25^\circ\text{C}$		
		RES	—	—	60				2
			—	—	15				1
		P4 <sub>3</sub>	—	—	30				2
			—	—	15		1		

Notes: 1. Applies to HD6433836, and HD6433837.  
2. Applies to HD6473837.

**Table 14-9 DC Characteristics (cont)**

$V_{CC} = 2.7\text{ V to }5.5\text{ V}$ ,  $AV_{CC} = 2.7\text{ V to }5.5\text{ V}$ ,  $V_{SS} = AV_{SS} = 0.0\text{ V}$ ,  $T_a = -20^\circ\text{C to }+75^\circ\text{C}$ , including subactive mode, unless otherwise indicated.

Item	Symbol	Applicable Pins	Min	Typ	Max	Unit	Test Condition	Note
Active mode current dissipation	$I_{OPE1}$	$V_{CC}$	—	14.4	28.8	mA	Active mode (high speed), $V_{CC} = 5\text{ V}$ , $f_{osc} = 10\text{ MHz}$	1, 2
	$I_{OPE2}$	$V_{CC}$	—	3.0	6.0	mA	Active mode (medium speed), $V_{CC} = 5\text{ V}$ , $f_{osc} = 10\text{ MHz}$	1, 2
Sleep mode current dissipation	$I_{SLEEP}$	$V_{CC}$	—	6.0	12.0	mA	$V_{CC} = 5\text{ V}$ , $f_{osc} = 10\text{ MHz}$	1, 2
Subactive mode current dissipation	$I_{SUB}$	$V_{CC}$	—	60.0	156.0	$\mu\text{A}$	$V_{CC} = 2.7\text{ V}$ , LCD on, 32-kHz crystal oscillator ( $\theta_{SUB} = \theta w/2$ )	1, 2
			—	48.0	—	$\mu\text{A}$	$V_{CC} = 2.7\text{ V}$ , LCD on, 32-kHz crystal oscillator ( $\theta_{SUB} = \theta w/8$ )	Reference value 1, 2
Subsleep mode current dissipation	$I_{SUBSP}$	$V_{CC}$	—	48.0	108.0	$\mu\text{A}$	$V_{CC} = 2.7\text{ V}$ , LCD on, 32-kHz crystal oscillator ( $\theta_{SUB} = \theta w/2$ )	1, 2
Watch mode current dissipation	$I_{WATCH}$	$V_{CC}$	—	—	6	$\mu\text{A}$	$V_{CC} = 2.7\text{ V}$ , LCD not used, 32-kHz crystal oscillator ( $\theta_{SUB} = \theta w/8$ )	1, 2
Standby mode current dissipation	$I_{STBY}$	$V_{CC}$	—	—	5	$\mu\text{A}$	32-kHz crystal oscillator not used	1, 2
RAM data retaining voltage	$V_{RAM}$	$V_{CC}$	2	—	—	V		1, 2

Notes: 1. Pin states during current measurement

Mode	RES Pin	Internal State	Other Pins	LCD Power Supply	Oscillator Pins
Active mode (high and medium speed)	$V_{CC}$	Operates	$V_{CC}$	Open	System clock oscillator: Crystal Subclock oscillator: Pin $X_1 = V_{CC}$
Sleep mode	$V_{CC}$	Only timer operates	$V_{CC}$	Open	
Subactive mode	$V_{CC}$	Operates	$V_{CC}$	Open	System clock oscillator: Crystal Subclock oscillator: Crystal
Subsleep mode	$V_{CC}$	Only timer operates, CPU stops	$V_{CC}$	Open	
Watch mode	$V_{CC}$	Only time-base clock operates, CPU stops	$V_{CC}$	Open	
Standby mode	$V_{CC}$	CPU and timers all stop	$V_{CC}$	Open	System clock oscillator: Crystal Subclock oscillator: Pin $X_1 = V_{CC}$

2. Excludes current in pull-up MOS transistors and output buffers.

**Table 14-9 DC Characteristics (cont)**

$V_{CC} = 2.7\text{ V to }5.5\text{ V}$ ,  $AV_{CC} = 2.7\text{ V to }5.5\text{ V}$ ,  $V_{SS} = AV_{SS} = 0.0\text{ V}$ ,  $T_a = -20^\circ\text{C to }+75^\circ\text{C}$ , including subactive mode, unless otherwise indicated.

Item	Symbol	Applicable Pins	Min	Typ	Max	Unit	Test Condition
Allowable output low current (per pin)	$I_{OL}$	Output pins except in ports 2 and 3	—	—	2	mA	$V_{CC} = 4.0\text{ V to }5.5\text{ V}$
		Ports 2 and 3	—	—	10		
		All output pins	—	—	0.5		
Allowable output low current (total)	$\Sigma I_{OL}$	Output pins except in ports 2 and 3	—	—	40	mA	$V_{CC} = 4.0\text{ V to }5.5\text{ V}$
		Ports 2 and 3	—	—	80		
		All output pins	—	—	20		
Allowable output high current (per pin)	$-I_{OH}$	All output pins	—	—	2	mA	$V_{CC} = 4.0\text{ V to }5.5\text{ V}$
			—	—	0.2		
Allowable output high current (total)	$\Sigma -I_{OH}$	All output pins	—	—	15	mA	$V_{CC} = 4.0\text{ V to }5.5\text{ V}$
			—	—	10		

### 14.3.3 AC Characteristics

Table 14-10 lists the control signal timing, and tables 14-11 and 14-12 list the serial interface timing.

**Table 14-10 Control Signal Timing**

$V_{CC} = 2.7\text{ V to }5.5\text{ V}$ ,  $AV_{CC} = 2.7\text{ V to }5.5\text{ V}$ ,  $V_{SS} = AV_{SS} = 0.0\text{ V}$ ,  $T_a = -20^\circ\text{C to }+75^\circ\text{C}$ , including subactive mode, unless otherwise specified.

Item	Symbol	Applicable Pins	Min	Typ	Max	Unit	Test Condition	Reference Figure
System clock oscillation frequency	$f_{OSC}$	OSC <sub>1</sub> , OSC <sub>2</sub>	2	—	10	MHz	$V_{CC} = 4.0\text{ V to }5.5\text{ V}$	
			2	—	5			
OSC clock ( $\theta_{OSC}$ ) cycle time	$t_{OSC}$	OSC <sub>1</sub> , OSC <sub>2</sub>	100	—	1000	ns	$V_{CC} = 4.0\text{ V to }5.5\text{ V}$	1
			200	—	1000			Figure 14-1
System clock ( $\theta$ ) cycle time	$t_{cyc}$		2	—	16	$t_{OSC}$		1
			—	—	2000	ns		
Subclock oscillation frequency	$f_W$	X <sub>1</sub> , X <sub>2</sub>	—	32.678	—	kHz		
Watch clock cycle time	$t_W$	X <sub>1</sub> , X <sub>2</sub>	—	30.5	—	$\mu\text{s}$		
Subclock ( $\theta_{SUB}$ ) cycle time	$t_{subcyc}$		2	—	8	$t_W$		2
Instruction cycle time			2	—	—	$t_{cyc}$ $t_{subcyc}$		
Oscillation stabilization time (crystal oscillator)	$t_{rc}$	OSC <sub>1</sub> , OSC <sub>2</sub>	—	—	40	ms	$V_{CC} = 4.0\text{ V to }5.5\text{ V}$	
			—	—	60			
Oscillation stabilization time	$t_{rc}$	X <sub>1</sub> , X <sub>2</sub>	—	—	2	s		
External clock high width	$t_{CPH}$	OSC <sub>1</sub>	40	—	—	ns	$V_{CC} = 4.0\text{ V to }5.5\text{ V}$	Figure 14-1
			80	—	—			
External clock low width	$t_{CPL}$	OSC <sub>1</sub>	40	—	—	ns	$V_{CC} = 4.0\text{ V to }5.5\text{ V}$	Figure 14-1
			80	—	—			
External clock rise time	$t_{CPr}$		—	—	15	ns	$V_{CC} = 4.0\text{ V to }5.5\text{ V}$	Figure 14-1
			—	—	20			
External clock fall time	$t_{CPf}$		—	—	15	ns	$V_{CC} = 4.0\text{ V to }5.5\text{ V}$	Figure 14-1
			—	—	20			
Pin $\overline{RES}$ low width	$t_{REL}$	$\overline{RES}$	10	—	—	$t_{cyc}$		Figure 14-2

Notes: 1. A frequency between 1 MHz to 10 MHz is required when an external clock is input.  
2. Selected with SA1 and SA0 of system clock control register 2 (SYSCR2).

**Table 14-10 Control Signal Timing (cont)**

$V_{CC} = 2.7\text{ V to }5.5\text{ V}$ ,  $AV_{CC} = 2.7\text{ V to }5.5\text{ V}$ ,  $V_{SS} = AV_{SS} = 0.0\text{ V}$ ,  $T_a = -20^\circ\text{C to }+75^\circ\text{C}$ , including subactive mode, unless otherwise specified.

Item	Symbol	Applicable Pins	Min	Typ	Max	Unit	Test Condition	Reference Figure
Input pin high width	$t_{IH}$	$\overline{IRQ}_0$ to $\overline{IRQ}_4$ $\overline{WKP}_0$ to $\overline{WKP}_7$ ADTRG TMIB, TMIC TMIF, TMIG	2	—	—	$t_{cyc}$ $t_{subcyc}$		Figure 14-3
Input pin low width	$t_{IL}$	$\overline{IRQ}_0$ to $\overline{IRQ}_4$ $\overline{WKP}_0$ to $\overline{WKP}_7$ ADTRG TMIB, TMIC TMIF, TMIG	2	—	—	$t_{cyc}$ $t_{subcyc}$		Figure 14-3
Pin UD minimum modulation width	$t_{UDH}$ $t_{UDL}$	UD	4	—	—	$t_{cyc}$ $t_{subcyc}$		Figure 14-4

**Table 14-11 Serial Interface (SCI1, SCI2) Timing**

$V_{CC} = 2.7\text{ V to }5.5\text{ V}$ ,  $AV_{CC} = 2.7\text{ V to }5.5\text{ V}$ ,  $V_{SS} = AV_{SS} = 0.0\text{ V}$ ,  $T_a = -20^\circ\text{C to }+75^\circ\text{C}$ , unless otherwise specified.

Item	Symbol	Applicable Pins	Min	Typ	Max	Unit	Test Condition	Reference Figure
Input serial clock cycle time	$t_{scyc}$	SCK <sub>1</sub> , SCK <sub>2</sub>	2	—	—	$t_{cyc}$		Figure 14-5
Input serial clock high width	$t_{SCKH}$	SCK <sub>1</sub> , SCK <sub>2</sub>	0.4	—	—	$t_{scyc}$		Figure 14-5
Input serial clock low width	$t_{SCKL}$	SCK <sub>1</sub> , SCK <sub>2</sub>	0.4	—	—	$t_{scyc}$		Figure 14-5
Input serial clock rise time	$t_{SCKr}$	SCK <sub>1</sub> , SCK <sub>2</sub>	—	—	60 80	ns	$V_{CC} = 4.0\text{ V to }5.5\text{ V}$	Figure 14-5
Input serial clock fall time	$t_{SCKf}$	SCK <sub>1</sub> , SCK <sub>2</sub>	—	—	60 80	ns	$V_{CC} = 4.0\text{ V to }5.5\text{ V}$	Figure 14-5
Serial output data delay time	$t_{SOD}$	SO <sub>1</sub> , SO <sub>2</sub>	—	—	200 350	ns	$V_{CC} = 4.0\text{ V to }5.5\text{ V}$	Figure 14-5
Serial input data setup time	$t_{SIS}$	SI <sub>1</sub> , SI <sub>2</sub>	200 400	—	—	ns	$V_{CC} = 4.0\text{ V to }5.5\text{ V}$	Figure 14-5
Serial input data hold time	$t_{SIH}$	SI <sub>1</sub> , SI <sub>2</sub>	200 400	—	—	ns	$V_{CC} = 4.0\text{ V to }5.5\text{ V}$	Figure 14-5
$\overline{CS}$ setup time	$t_{CSS}$	$\overline{CS}$	2	—	—	$t_{cyc}$		Figure 14-6
$\overline{CS}$ hold time	$t_{CSH}$	$\overline{CS}$	2	—	—	$t_{cyc}$		Figure 14-6

**Table 14-12 Serial Interface (SCI3) Timing**

$V_{CC} = 2.7\text{ V to }5.5\text{ V}$ ,  $AV_{CC} = 2.7\text{ V to }5.5\text{ V}$ ,  $V_{SS} = AV_{SS} = 0.0\text{ V}$ ,  $T_a = -20^\circ\text{C to }+75^\circ\text{C}$ , unless otherwise specified.

Item	Symbol	Min	Typ	Max	Unit	Test Condition	Reference Figure
Input clock cycle	Asynchronous	$t_{scyc}$	4	—	—	$t_{cyc}$	Figure 14-7
	Synchronous		6	—	—		
Input clock pulse width	$t_{SCKW}$	0.4	—	0.6	$t_{scyc}$		Figure 14-7
Transmit data delay time (synchronous mode)	$t_{TXD}$	—	—	1	$t_{cyc}$	$V_{CC} = 4.0\text{ V to }5.5\text{ V}$	Figure 14-8
		—	—	1			
Receive data setup time (synchronous mode)	$t_{RXS}$	200	—	—	ns	$V_{CC} = 4.0\text{ V to }5.5\text{ V}$	Figure 14-8
		400	—	—			
Receive data hold time (synchronous mode)	$t_{RXH}$	200	—	—	ns	$V_{CC} = 4.0\text{ V to }5.5\text{ V}$	Figure 14-8
		400	—	—			

### 14.3.4 A/D Converter Characteristics

Table 14-13 shows the A/D converter characteristics.

**Table 14-13 A/D Converter Characteristics**

$V_{CC} = 2.7\text{ V to }5.5\text{ V}$ ,  $AV_{CC} = 4.0\text{ V to }5.5\text{ V}$ ,  $AV_{SS} = V_{SS} = 0.0\text{ V}$ ,  $T_a = -20^\circ\text{C to }+75^\circ\text{C}$ , unless otherwise specified.

Item	Symbol	Applicable Pins	Min	Typ	Max	Unit	Test Condition	Note
Analog power supply voltage	$AV_{CC}$	$AV_{CC}$	4.0	—	5.5	V		1
Analog input voltage	$AV_{IN}$	$AN_0$ to $AN_{11}$	$AV_{SS} - 0.3$	—	$AV_{CC} + 0.3$	V		
Analog power supply current	$AI_{OPE}$	$AV_{CC}$	—	—	1.5	mA	$AV_{CC} = 5.0\text{ V}$	
	$AI_{STOP1}$	$AV_{CC}$	—	150	—	$\mu\text{A}$		2 Reference value
	$AI_{STOP2}$	$AV_{CC}$	—	—	5	$\mu\text{A}$		3
Analog input capacitance	$C_{AIN}$	$AN_0$ to $AN_{11}$	—	—	30	pF		
Allowable signal source impedance	$R_{AIN}$		—	—	10	k $\Omega$		
Resolution (data length)			—	—	8	bit		
Non-linearity error			—	—	$\pm 2.0$	LSB		
Quantization error			—	—	$\pm 0.5$	LSB		
Absolute accuracy			—	—	$\pm 2.5$	LSB		
Conversion time			12.4	—	124	$\mu\text{s}$	$AV_{CC} = 4.5\text{ V to }5.5\text{ V}$	
			24.8	—	124			

- Notes: 1. Set  $AV_{CC} = V_{CC}$  when the A/D converter is not used.  
 2.  $AI_{STOP1}$  is the current in active and sleep modes while the A/D converter is idle.  
 3.  $AI_{STOP2}$  is the current at reset and in standby, watch, subactive, and subsleep modes while the A/D converter is idle.



### 14.3.5 LCD Characteristics

Table 14-14 lists the LCD characteristics, and table 14-15 lists the AC characteristics for external segment expansion.

**Table 14-14 LCD Characteristics**

$V_{CC} = 2.7\text{ V to }5.5\text{ V}$ ,  $AV_{CC} = 2.7\text{ V to }5.5\text{ V}$ ,  $V_{SS} = AV_{SS} = 0.0\text{ V}$ ,  $T_a = -20^\circ\text{C to }+75^\circ\text{C}$ , including subactive mode, unless otherwise specified.

Item	Symbol	Applicable Pins	Min	Typ	Max	Unit	Test Condition	Note
Segment driver voltage drop	$V_{DS}$	SEG <sub>1</sub> to SEG <sub>40</sub>	—	—	0.6	V	$I_D = 2\ \mu\text{A}$	1
Common driver voltage drop	$V_{DC}$	COM <sub>1</sub> to COM <sub>4</sub>	—	—	0.3	V	$I_D = 2\ \mu\text{A}$	1
LCD power supply voltage divider resistance	$R_{LCD}$		50	300	900	k $\Omega$	Between $V_1$ and $V_{SS}$	
LCD power supply voltage	$V_{LCD}$	$V_1$	2.7	—	$V_{CC}$	V		2

Notes: 1. These are the voltage drops between the voltage supply pins  $V_1$ ,  $V_2$ ,  $V_3$ , and  $V_{SS}$ , and the segment pins or common pins.  
 2. When  $V_{LCD}$  is supplied from an external source, the following relation must hold:  $V_{CC} \geq V_1 \geq V_2 \geq V_3 \geq V_{SS}$

**Table 14-15 AC Characteristics for External Segment Expansion**

$V_{CC} = 2.7\text{ V to }5.5\text{ V}$ ,  $AV_{CC} = 2.7\text{ V to }5.5\text{ V}$ ,  $V_{SS} = AV_{SS} = 0.0\text{ V}$ ,  $T_a = -20^\circ\text{C to }+75^\circ\text{C}$ , including subactive mode, unless otherwise specified.

Item	Symbol	Applicable Pins	Min	Typ	Max	Unit	Test Condition	Reference Figure
Clock high width	$t_{CWH}$	CL <sub>1</sub> , CL <sub>2</sub>	800	—	—	ns	*	Figure 14-9
Clock low width	$t_{CWL}$	CL <sub>2</sub>	800	—	—	ns	*	Figure 14-9
Clock setup time	$t_{CSU}$	CL <sub>1</sub> , CL <sub>2</sub>	500	—	—	ns	*	Figure 14-9
Data setup time	$t_{SU}$	DO	300	—	—	ns	*	Figure 14-9
Data hold time	$t_{DH}$	DO	300	—	—	ns	*	Figure 14-9
M delay time	$t_{DM}$	M	-1000	—	1000	ns		Figure 14-9
Clock rise and fall times	$t_{CT}$	CL <sub>1</sub> , CL <sub>2</sub>	—	—	100	ns		Figure 14-9

Note: \* Value when the frame frequency is set to between 30.5 Hz and 488 Hz.

## 14.4 Operation Timing

Figures 14-1 to 14-10 show timing diagrams.

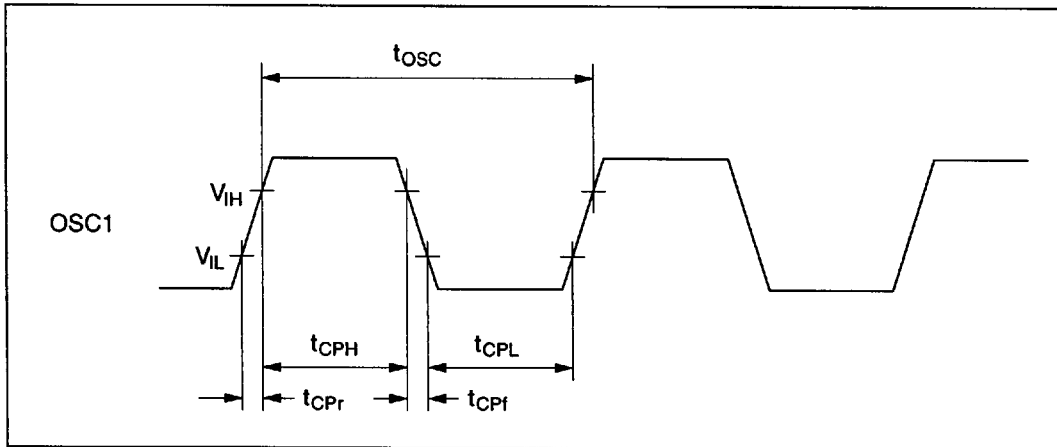


Figure 14-1 System Clock Input Timing

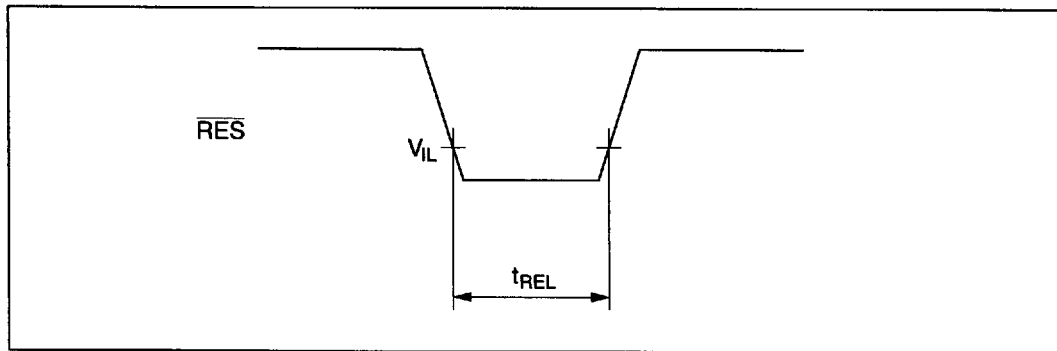


Figure 14-2  $\overline{RES}$  Low Width

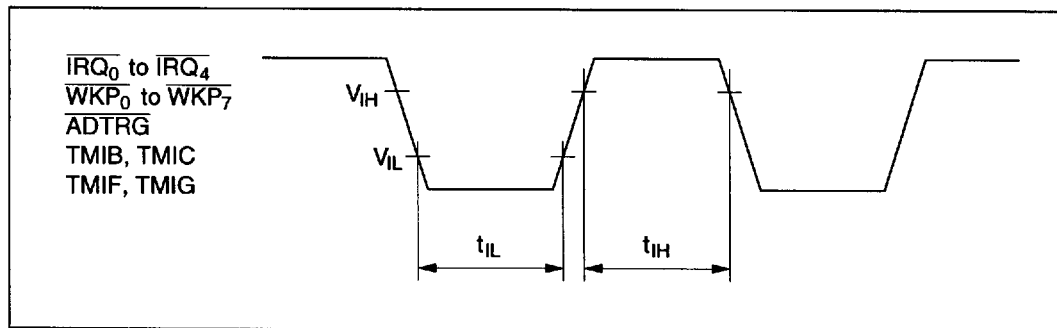
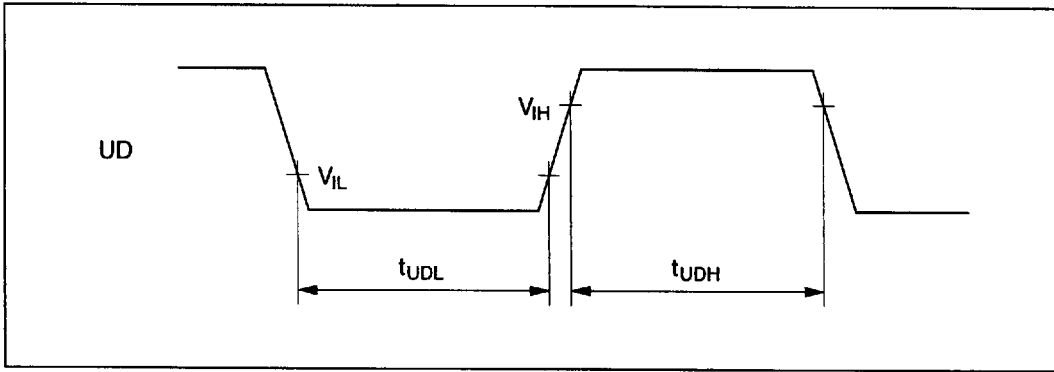


Figure 14-3 Input Timing



**Figure 14-4 Minimum UD High and Low Width**

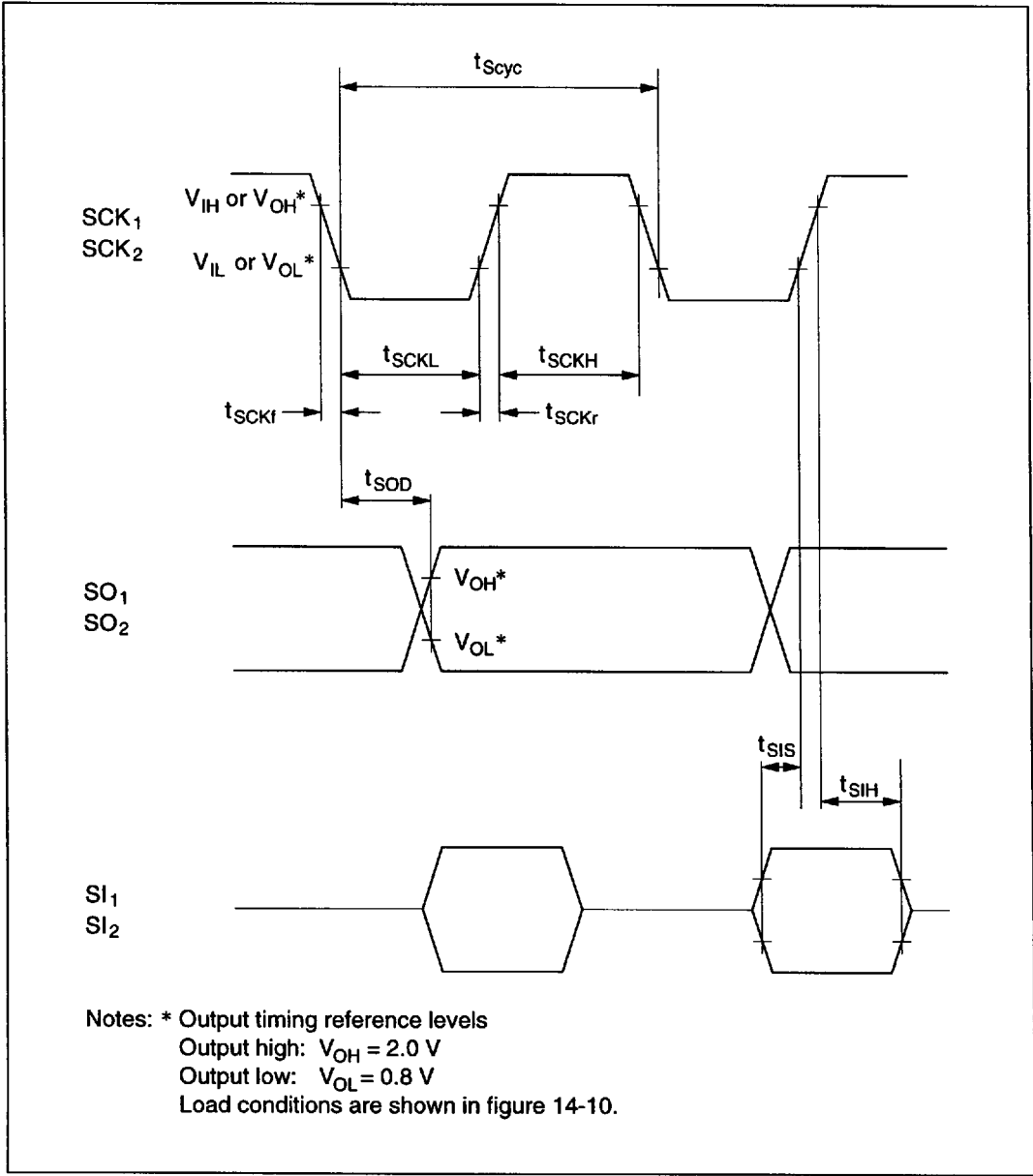


Figure 14-5 Serial Interface 1 and 2 Input/Output Timing

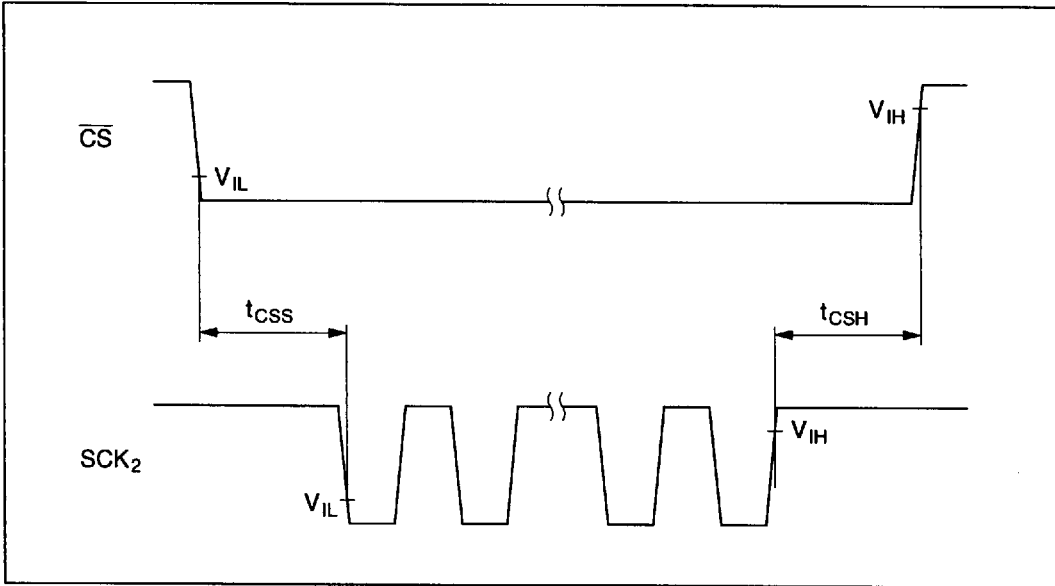


Figure 14-6 Serial Interface 2 Chip Select Timing

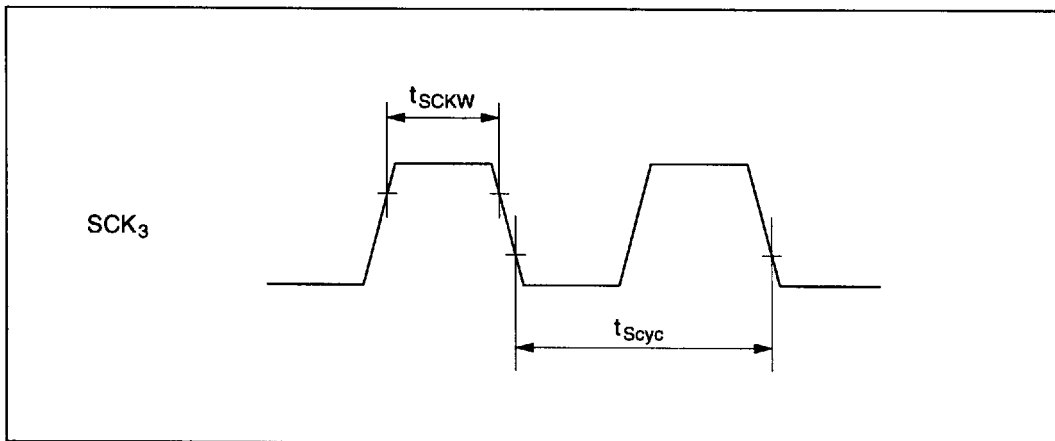


Figure 14-7  $SCK_3$  Input Clock Timing

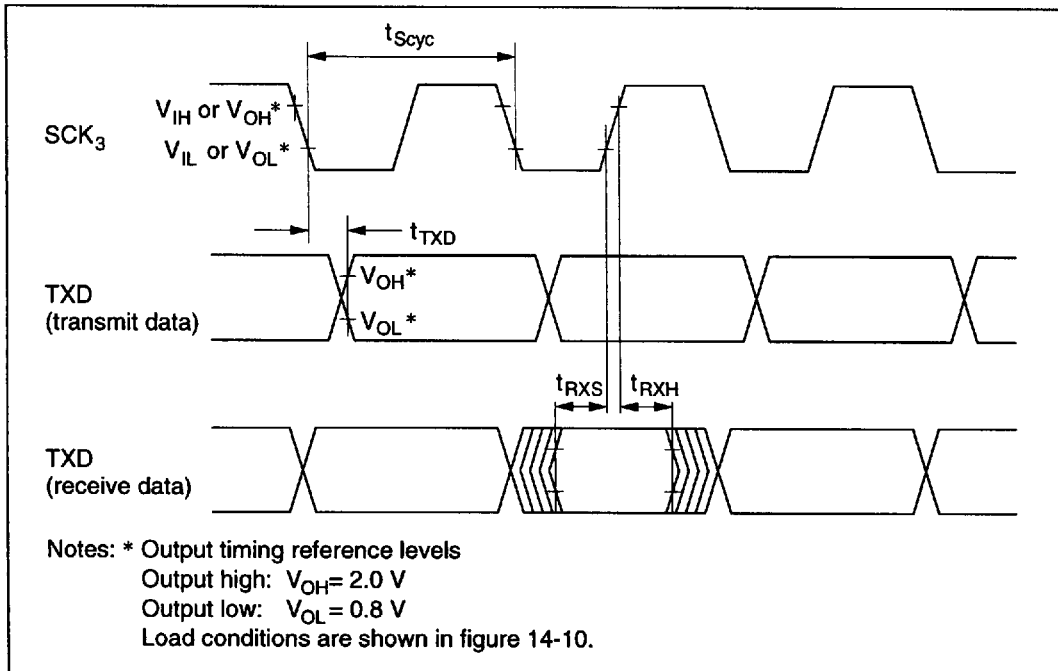


Figure 14-8 Input/Output Timing of Serial Interface 3 in Synchronous Mode

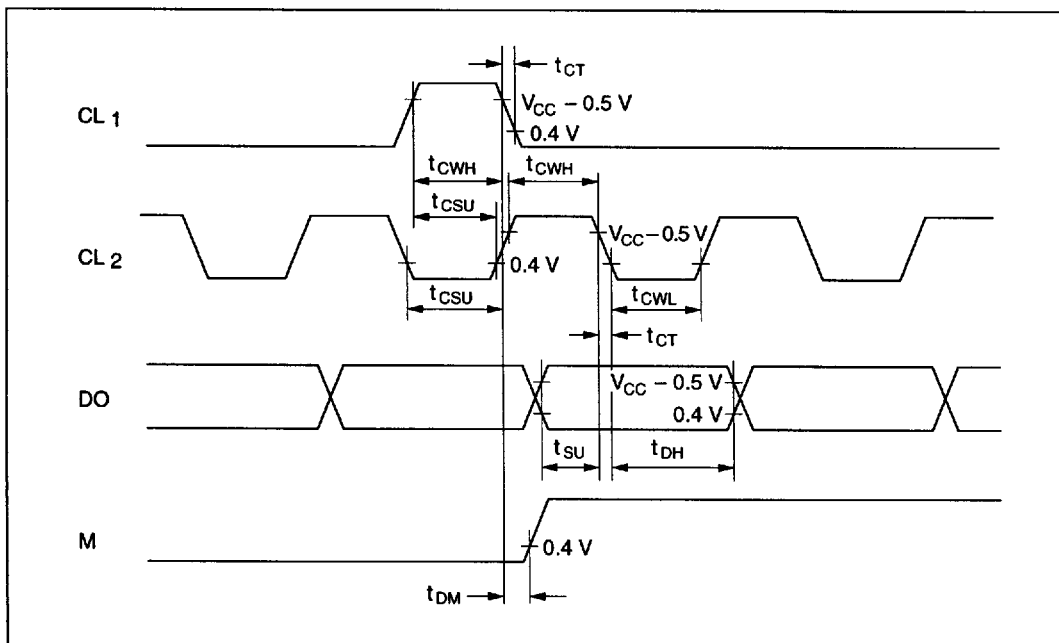


Figure 14-9 Segment Expansion Signal Timing

### 14.5 Output Load Circuit

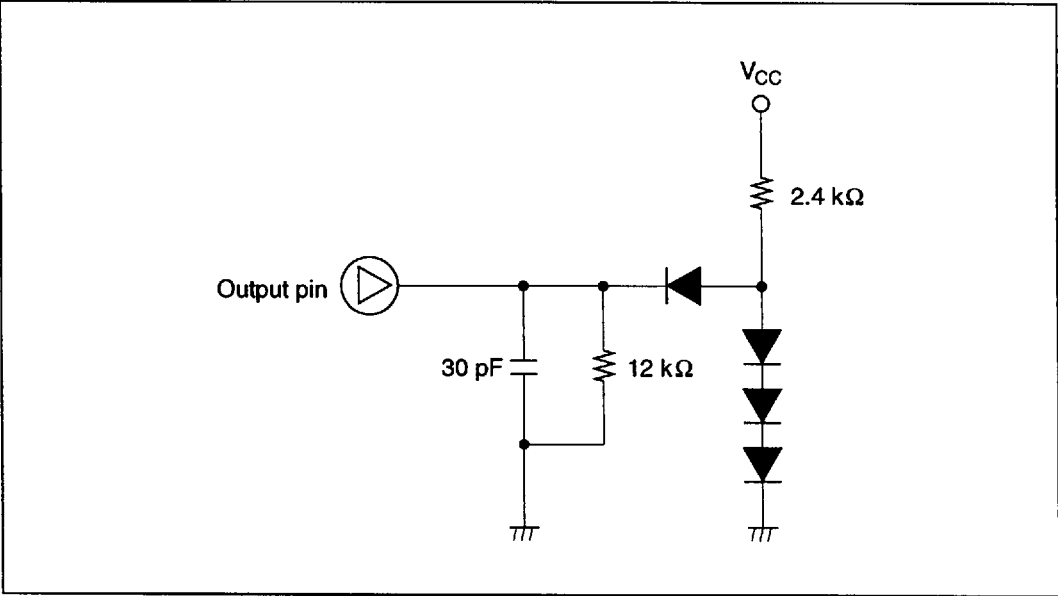


Figure 14-10 Output Load Condition