

Version : 0.1

TECHNICAL SPECIFICATION

MODEL NO. : PA025XSC

Customer's Approved

Customer \_\_\_\_\_

Date \_\_\_\_\_

By \_\_\_\_\_

PVI's Confirmation

Approved By \_\_\_\_\_

Prepared By \_\_\_\_\_

**FOR MORE INFORMATION:**

AZ DISPLAYS, INC.  
75 COLUMBIA, ALISO VIEJO, CA, 92656  
[Http://www.AZDISPLAYS.com](http://www.AZDISPLAYS.com)

Date : Mar. 30 , 2004

This technical specification is subject to change without notice.  
Please return 1 copy with your signature on this page for approval.

---

**TECHNICAL SPECIFICATION****CONTENTS**

<b>NO.</b>	<b>ITEM</b>	<b>PAGE</b>
-	Cover	1
-	Contents	2
1	Application	3
2	Features	3
3	Mechanical Specifications	3
4	Mechanical Drawing of TFT-LCD module	4
5	Input / Output Terminals	5
6	Pixel Arrangement and input connector pin NO.	7
7	Absolute Maximum Ratings	8
8	Electrical Characteristics	8
9	Power Sequence	19
10	Optical Characteristics	19
11	Handling Cautions	22
12	Reliability	23
13	Indication of Lot Number Label	23
14	Block Diagram	24
15	Packing	25
-	Revision History	27

## 1. Application

This technical specification applies to 2.5" color TFT-LCD panel. The 2.5" color TFT LCD panel is designed for camcorder, digital camera application and other electronic products which require high quality flat panel displays.

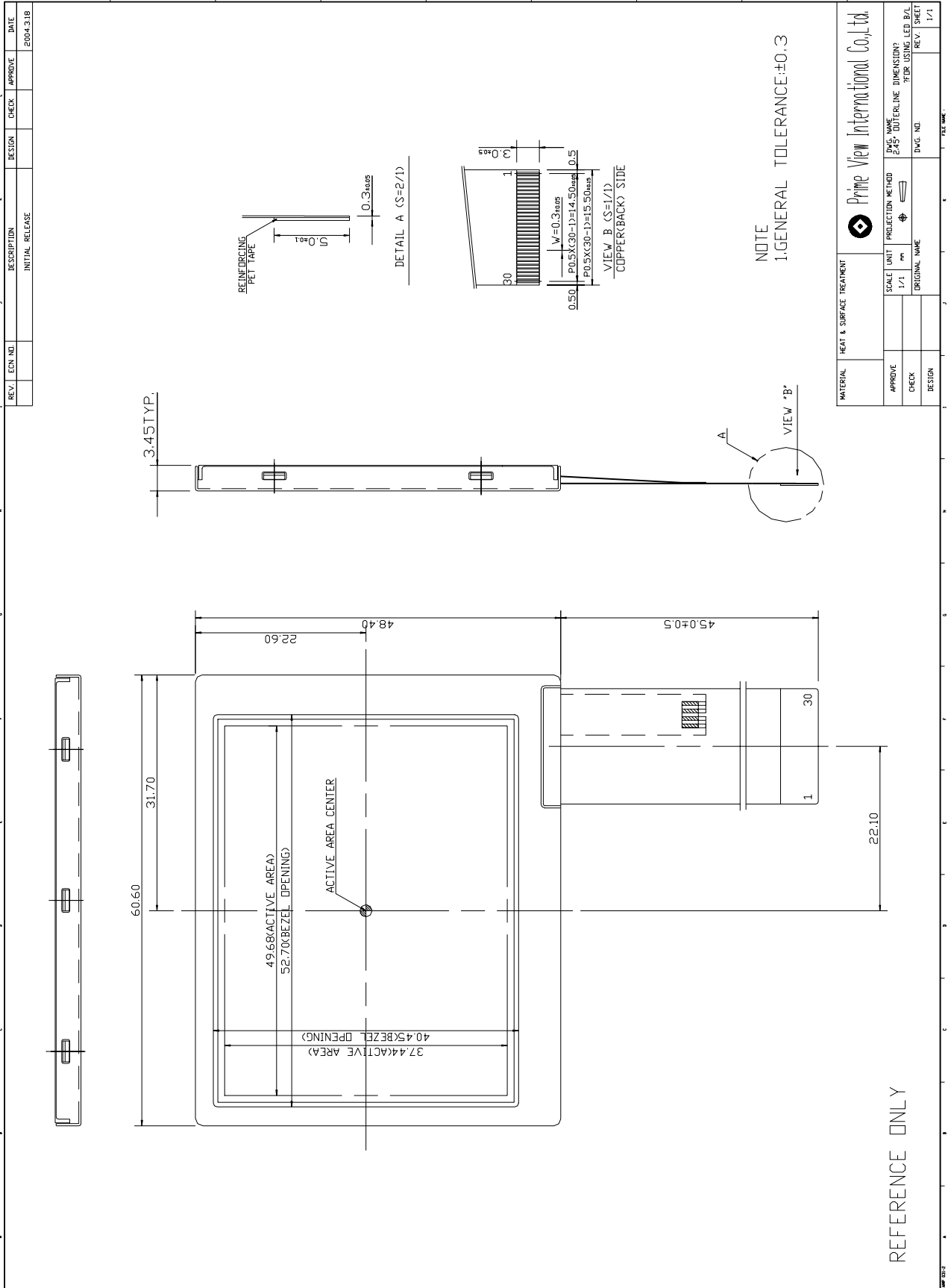
## 2. Features

- . Compatible with NTSC or PAL system
- . High Resolution : 112,320 Dots
- . Optimum Viewing Direction : 6 o'clock
- . Up/Down and Left/Right Image Reversion

## 3. Mechanical Specifications

<b>Parameter</b>	<b>Specifications</b>	<b>Unit</b>
Screen Size	2.45 (diagonal)	inch
Surface Treatment	Anti-Glare	
Display Format	480×234	dot
Active Area	49.68 (H)×37.44 (V)	Mm
Dot Pitch	0.1035 (W)×0.160 (H)	mm
Pixel Configuration	Delta	
Outline Dimension	60.6 (W)×48.4 (H)×3.45 (D)	mm
Weight	20±3	g

4. Mechanical Drawing of panel



## 5. Input / Output Terminals

Pin No	Symbol	I/O	Description	Remark
1	STH1	I/O	Start pulse for source driver	Note 5-1
2	AV <sub>SS</sub>	I	Analog GND for source driver	
3	AV <sub>DD</sub>	I	Analog power input for source driver	Note 5-2
4	V <sub>B</sub>	I	Video Input B	Note 5-4
5	V <sub>G</sub>	I	Video Input G	
6	V <sub>R</sub>	I	Video Input R	
7	V <sub>SS</sub>	I	Digital GND	
8	V <sub>DD</sub>	I	Digital power input	Note 5-3
9	CPH1	I	Sampling and shift clock for source driver	
10	CPH2	I	Sampling and shift clock for source driver	
11	CPH3	I	Sampling and shift clock for source driver	
12	STH2	I/O	Start pulse for source driver	Note 5-1
13	Q2H	I	Video input rotation control	
14	INH	I	Output enable for source driver	
15	R/L	I	Left/Right Control for source driver	Note 5-1
16	V <sub>COM</sub>	I	Common electrode voltage	Note 5-4
17	XOE	I	Output enable for gate driver	
18	CPV	I	Clock input for gate driver	
19	U/D	I	Up/Down Control for gate driver	
20	DIO2	I/O	Vertical start pulse	Note 5-5
21	DIO1	I/O	Vertical start pulse	
22	V <sub>GL</sub>	I	Gate off voltage(alternative every 1-H)	Note 5-4
23	V <sub>EE</sub>	I	Gate driver negative voltage	Note 5-6
24	V <sub>SS</sub>	I	GND	
25	V <sub>CC</sub>	I	Logic power for gate driver	Note 5-3
26	V <sub>GH</sub>	I	Gate on voltage	Note 5-7
27	NC	-	No connection	-
28	NC	-	No connection	-
29	GLLED		Supply current for LED	Note 5-8
30	VLED		Supply voltage for LED	Note 5-9

Note 5-1 : STH1, STH2 and R/L mode

R/L	STH1	STH2	Remark
High(VDD)	Input	Output	Left to Right
Low(0 Volt.)	Output	Input	Right to Left

Note 5-2 :  $AV_{DD} = +5V$  (Typ.)

Note 5-3 :  $V_{DD}, V_{CC} = +5V$  (Typ.)

Note 5-4 :  $V_{COM} = 6V_{PP}$ .

**Phase of the video signal input and  $V_{COM}$**

The relation between these values could refer to 8-1 Operating condition.

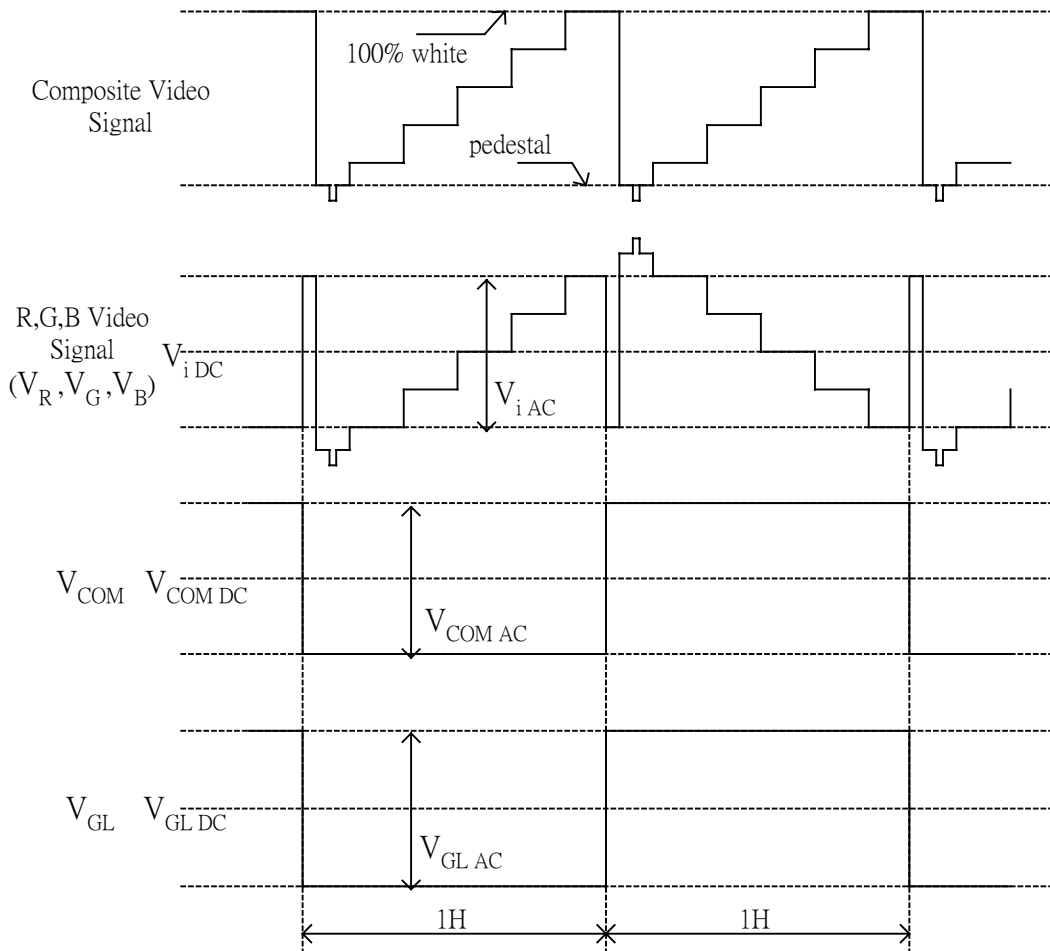


Fig.1

**Liquid crystal transmission of the video signal input,  $V_{COM}$  and timing**

	$V_{COM}$	
	H Level	L Level
Video Signal Input Maximum	Black	White
Video Signal Input Minimum	White	Black

White : maximum transmission / Black : minimum transmission

Note 5-5 : DIO1, DIO2 and U/D mode

U/D	DIO1	DIO2	Remark
High (VDD)	Input	Output	Down to Up
Low (0 Volt.)	Output	Input	Up to Down

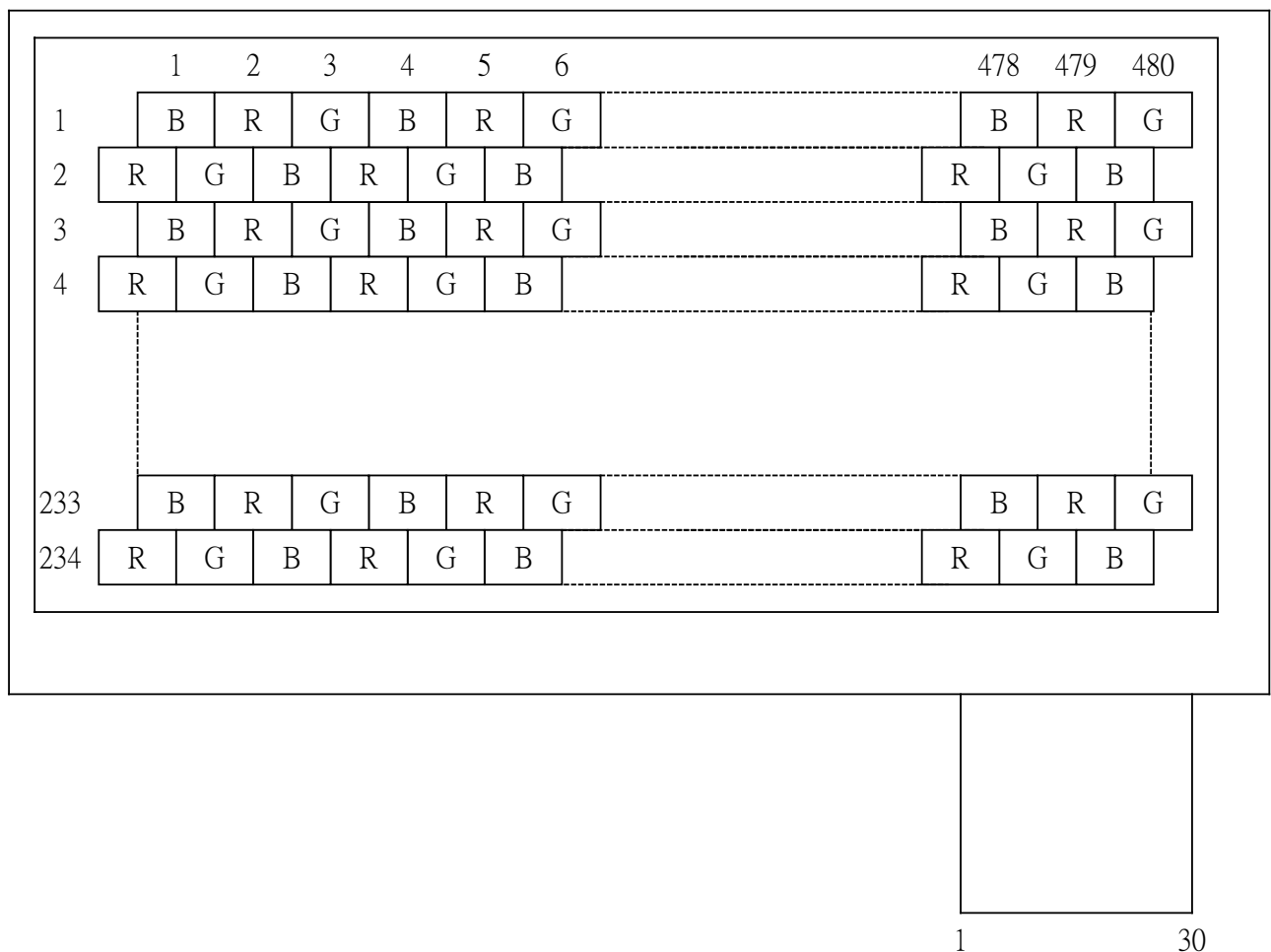
Note 5-6 :  $V_{EE} = -15V$  (Typ.).

Note 5-7 :  $V_{GH} = +15V$  (Typ.).

Note 5-8 :  $GLED = 20mA$  (Typ.).

Note 5-9 :  $VLED = +17V$  (Typ.).

## 6. Pixel Arrangement and input connector pin NO.



## 7. Absolute Maximum Ratings

The followings are maximum values , which if exceeded, may cause faulty operation or damage to the unit.

GND = 0 V , Ta = 25 °C

Parameter		Symbol	MIN.	MAX.	Unit	Remark
Supply Voltage For Source Driver	Analog	$AV_{DD}$	-0.3	+7.0	V	
	Digital	$V_{DD}$	-0.3	+7.0		
Supply Voltage For Gate Driver	Positive	$V_{GH}$	-0.3	+45	V	
	Negative	$V_{GL}$	-23	+0.3	V	
		$V_{GH}-V_{GL}$	+15	+40	V	
Analog input voltage		$V_{Video}$	-0.3	+7.3	V	Note 7-1
Storage Temperature			-20	+70	°C	
Operation Temperature			0	+60	°C	Note 7-2

Notes 7-1 : Analog Input Voltage means  $V_R, V_G, V_B$ .

Notes 7-2 : Operating Temperature define that contrast, response time, other display optical character are Ta=+25.

## 8. Electrical Characteristics

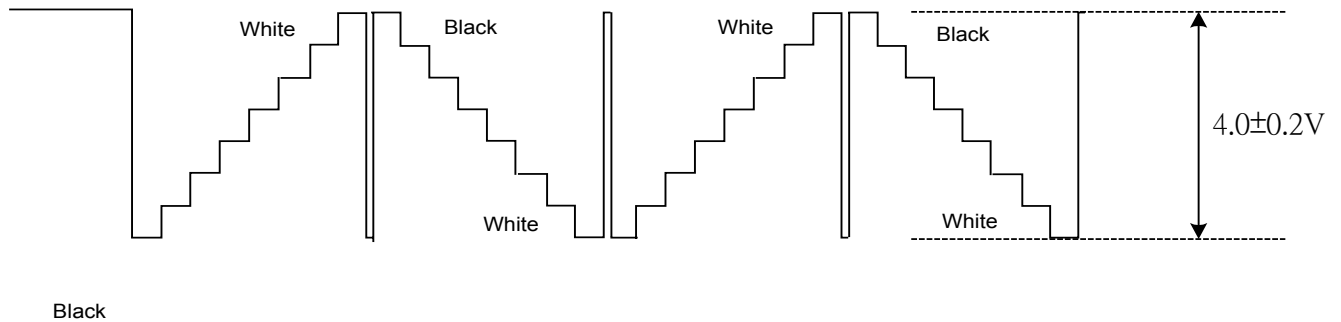
### 8-1) Operating Condition

Item	Symbol	Min.	Typ.	Max.	Unit	Remark
Power Supply	$V_{CC}$	+4.5	+5.0	+5.5	V	
	$V_{DD}$	+3.0	+3.3	+3.6		
	$AV_{DD}$	+4.5	+5.0	+5.5	V	
	$V_{GH}$	+14.5	+15.0	+15.5	V	
	$V_{EE}$	-15.5	-15.0	-14.5	V	
	$V_{GL AC}$	-	+6.0	-	$V_{P-P}$	AC Component of $V_{GL}$
	$V_{GL DC}$	-12.5	-11.0	-9.5	V	DC Component of $V_{GL}$
Video Signal ( $V_R, V_G, V_B$ )	$V_{i AC}$	-	+4.0	+4.2	$V_{P-P}$	AC Component Note 8-2
	$V_{i DC}$	-	+2.5	-	V	DC Component
$V_{COM}$	$V_{COM AC}$	-	+6.0	-	$V_{P-P}$	AC Component of $V_{COM}$
	$V_{COM DC}$	+0.9	+1.0	+1.1	V	DC Component of $V_{COM}$
	H Level	$V_{IH}$	+0.7 $V_{DD}$	-	V	Note 8-1
	L Level	$V_{IL}$	-	-	+0.3 $V_{DD}$	

Note 8-1 : STH1,STH2,CPH1,CPH2,CPH3,Q2H,INH,CPV,XOE,DIO1,DIO2



Note 8-2 : Both NTSC and PAL system Video Signal input waveform is based on 8 steps gray scale.



### 8-2) Current Consumption (GND=AV<sub>SS</sub>=0V)

Ta= 25 °C

Parameter	Symbol	Condition	Min.	Typ.	Max.	Unit	Remark
Current for Driver	I <sub>GH</sub>	V <sub>GH</sub> =+15V	-	0.1	0.2	mA	
	I <sub>GL</sub>	V <sub>GL</sub> =-12V	-	0.36	0.9	mA	V <sub>GL</sub> center voltage
	I <sub>CC</sub>	V <sub>CC</sub> =+5V	-	0.2	0.4	mA	
	AI <sub>DD</sub>	AV <sub>DD</sub> =+5V	-	3.5	5.0	mA	
	I <sub>DD</sub>	V <sub>DD</sub> =+5V	-	0.6	1.5	mA	
	I <sub>EE</sub>	V <sub>EE</sub> =-15V	-	0.3	0.6	mA	

### 8-3) Backlight driving & Power Consumption

Pin No	Symbol	Description	Remark
29	GLED	Supply current for LED	I <sub>L</sub>
30	VLED	Supply voltage for LED	V <sub>L</sub> Note 8-3

Note 8-3 : Supply voltage for LED would depend on supply current.

Ta= 25 °C

Parameter	Symbol	Min.	Typ.	Max.	Unit	Remark
Supply voltage	V <sub>L</sub>	-	17	-	V	I <sub>L</sub> =20mA
Supply current	I <sub>L</sub>	-	20	-	mA	

### Power Consumption

Ta= 25 °C

Parameter	Symbol	Conditions	TYP.	Unit	Remark
LCD Panel Power Consumption			31.82	mW	Note 8-5
Backlight Lamp Power Consumption			0.34	W	Note 8-6
Total Power Consumption			0.372	W	

Note 8-5 : The power consumption for backlight is not included.

Note 8-6 : Backlight power consumption is calculated by I<sub>L</sub>×V<sub>L</sub>.

## 8-4) Input / Output Connector

LCD Module Connector  
 FFC Down Connector,  
 30 Pins  
 Pitch : 0.5 mm

## 8-5) Timing Characteristics Of Input Signals

Characteristics	Symbol	Min.	Typ.	Max.	Unit	Remark
1Field Scanning Period	t1V	-	262.5	-	H	
1Line Scanning Period	t1H	-	63.5	-	μs	
Source Driver Operating Frequency	fhc	1.0	3.14	5.0	MHz	
Signal Sampling Pulse Width	tchwh	200	317.7	1000	ns	
Signal Sampling Pulse Delay	tchd	95.3	105.9	116.5	ns	tchd 12,23
Signal Sampling Pulse Width(H)	tchwh	142.9	158.8	174.7	ns	
Signal Sampling Pulse Delay(L)	tchwl	142.9	158.8	174.7	ns	
Source Start Signal Pulse Width	tshw	90	317.7	630*	ns	*tshset=tshld
Source Start Signal Setup Time	tshset	20	158.8	-	ns	
Source Start Signal Hold Time	tshld	20	158.8	-	ns	
Source Output Enable Pulse Width	tohw	1.0	2.0	-	μs	
Source Start Signal Rising Time	tss	-	9.8	-	μs	
Video Input Signal Start Point	tvS	-	10.0	-	μs	
Phase Difference Between OEH&CPV	toc	1.5	2.3	-	μs	
Gate Clock Period	tcvw	10	63.5	-	μs	
Gate Clock Pulse Width(H)	tcvwh	10	31.7	48	μs	
Gate Clock Pulse Width(L)	tcvwl	10	31.7	48	μs	
Gate Start Signal Pulse Width	tsvw	5	63.5	126**	μs	**tsvset=tsvhld
Gate Start Signal Setup Time	tsvset	5	53.2	-	μs	
Gate Start Signal Hold Time	tsvhld	5	10.3	-	μs	
Phase Difference Between OEH&STH	tosp	-	4	-	μs	
Phase Difference Between SYNC&OEH	tohs	-	1.4	-	μs	
Gate Output Enable Pulse Width	toev	-	2.5	-	μs	
V <sub>COM</sub> Delay Time	t <sub>DCOM</sub>	-	-	3	μs	
RGB Delay Time	t <sub>DRGB</sub>	-	-	2	μs	
Vertical Display Start	tsv	-	3	-	tH	

8-6) Signal Timing Waveforms

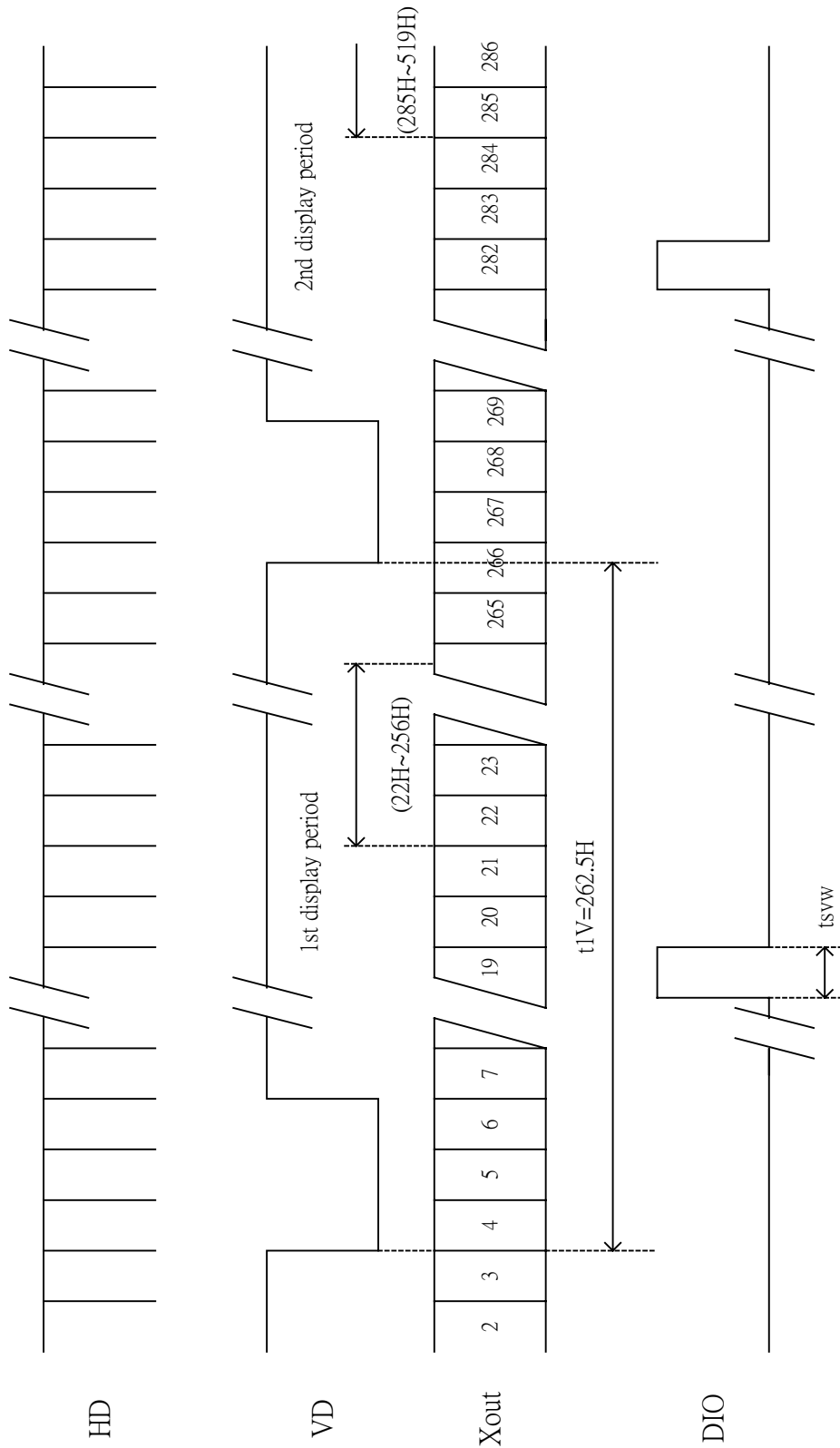
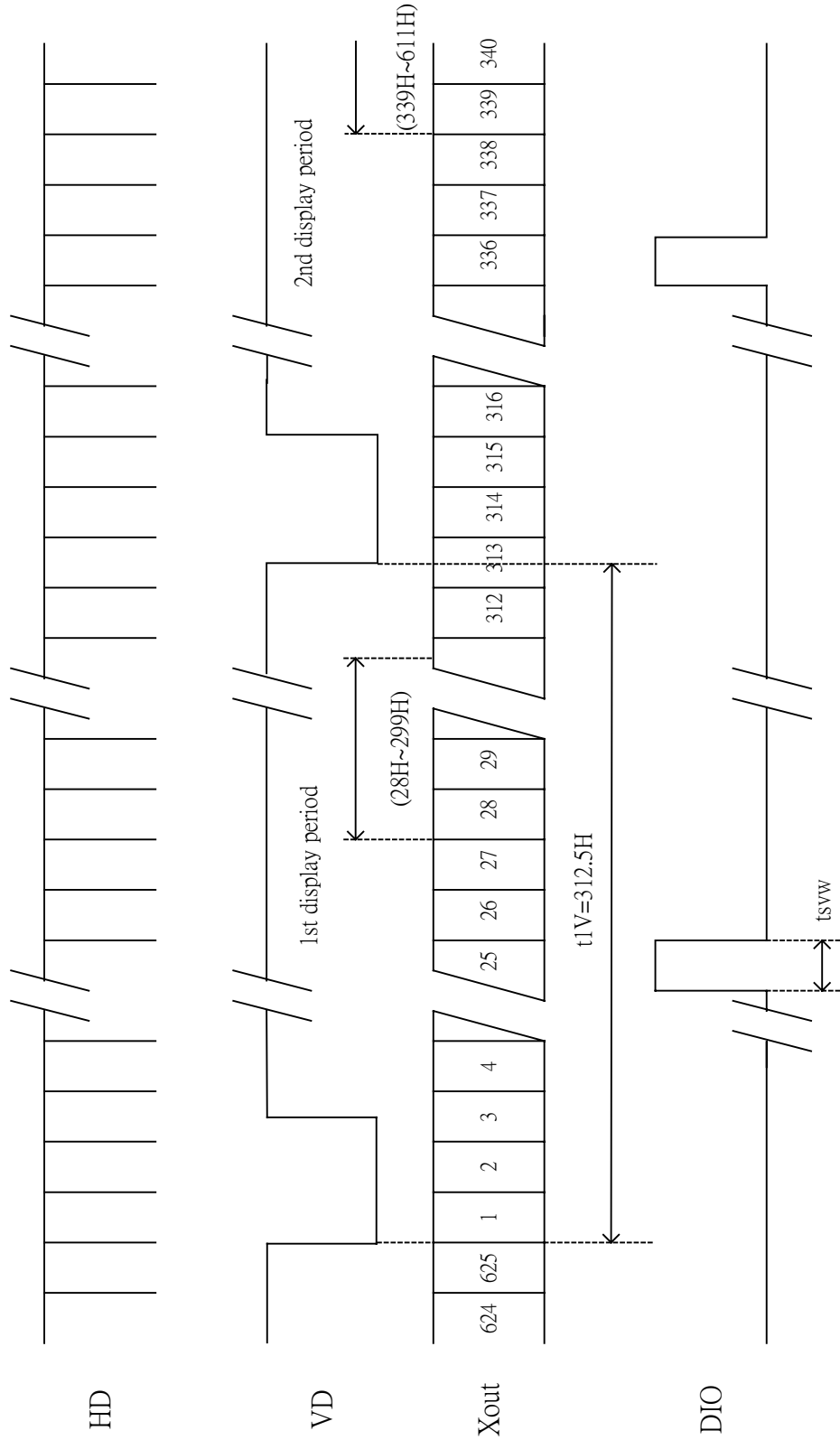


Fig. 8-1 Vertical Start Line for NTSC



\*\* odd field : Scan lines 14n+6 14n+12 (n = 2, 3, 4..) are not displayed.  
 even field : Scan lines 14n+12 14n+20 (n = 2, 3, 4..) are not displayed.

Fig. 8-1 Vertical Start Line for PAL

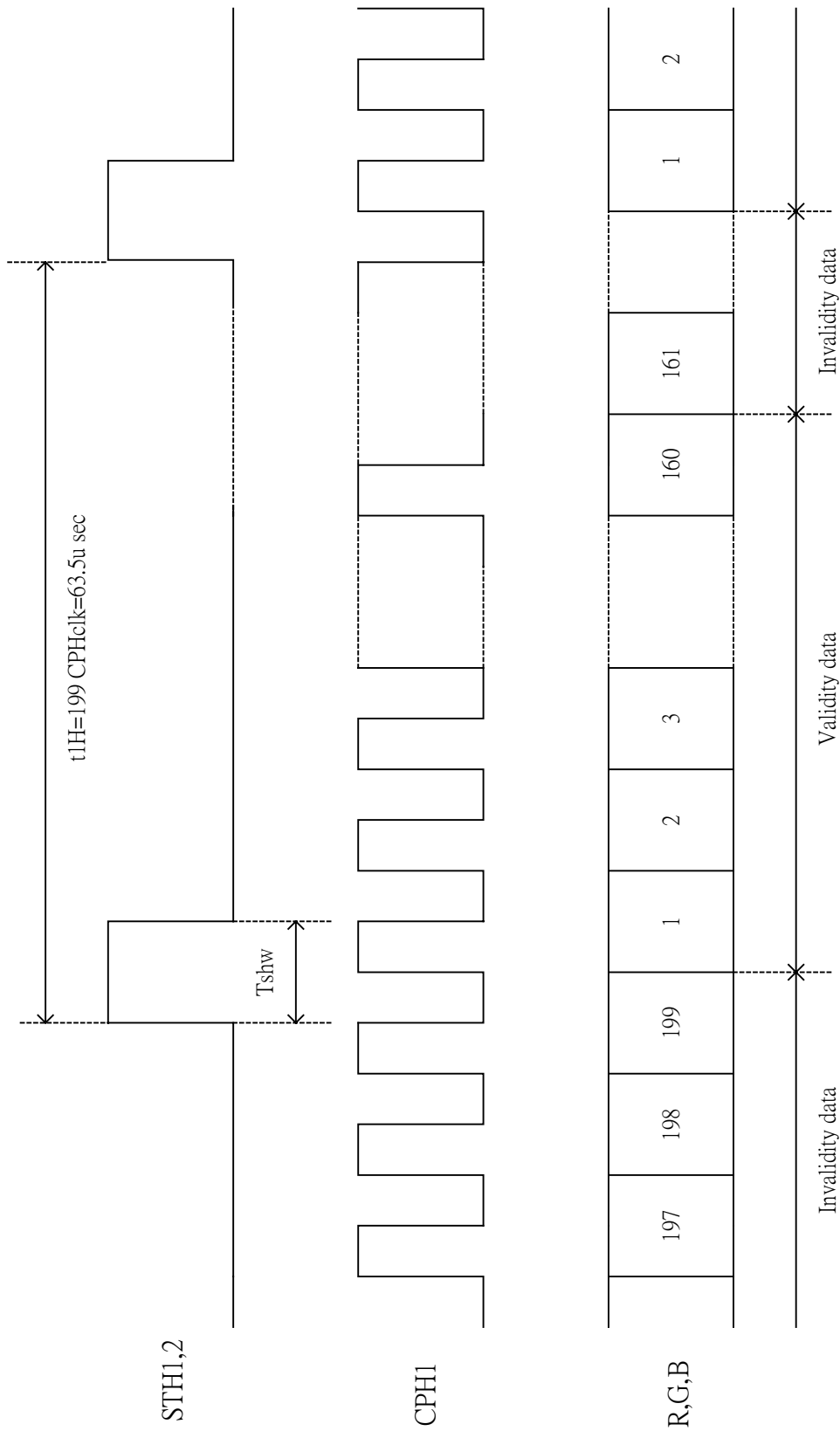


Fig. 8-2 Horizontal Start Pixel

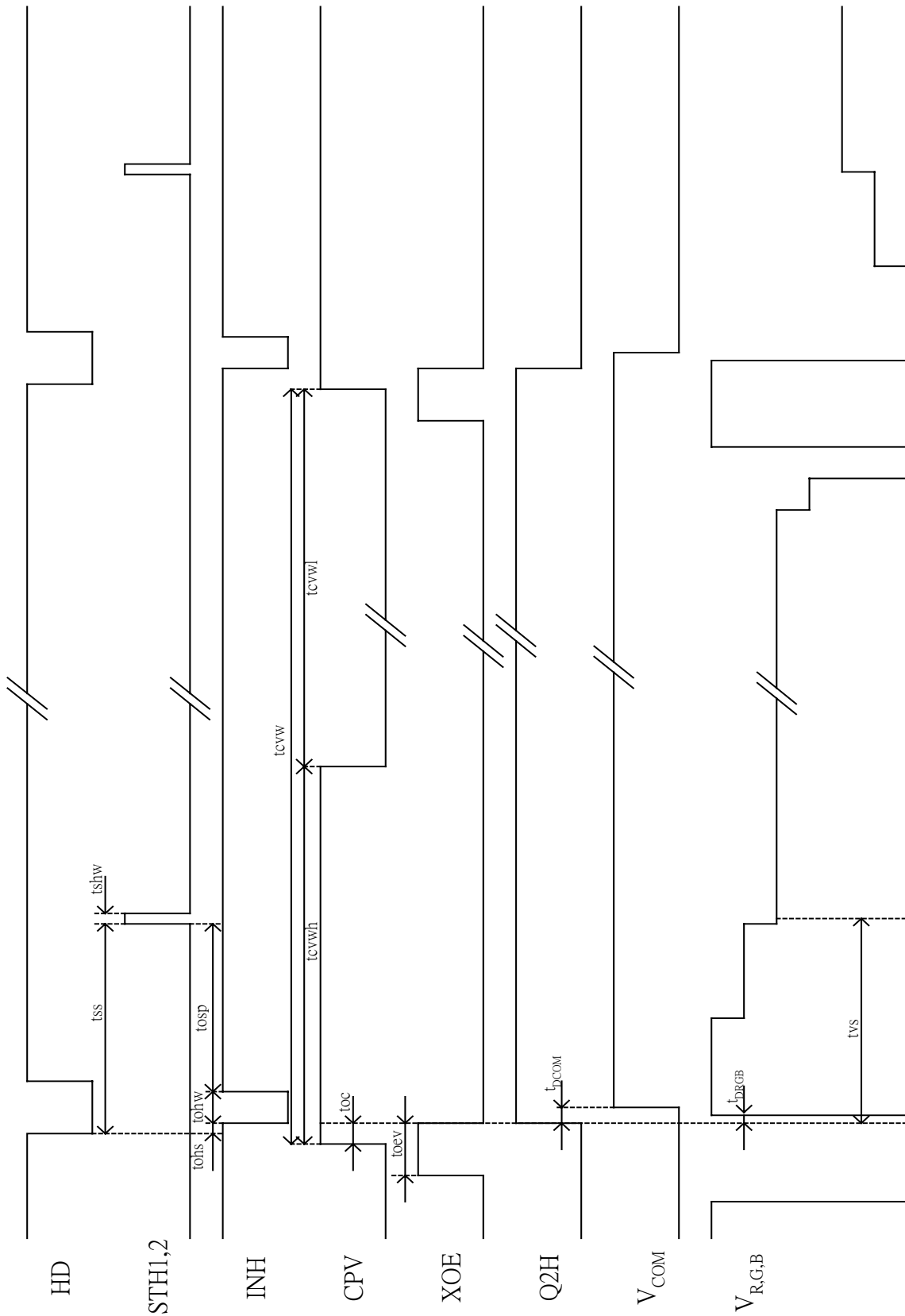


Fig. 8-3 Detail Horizontal Timing

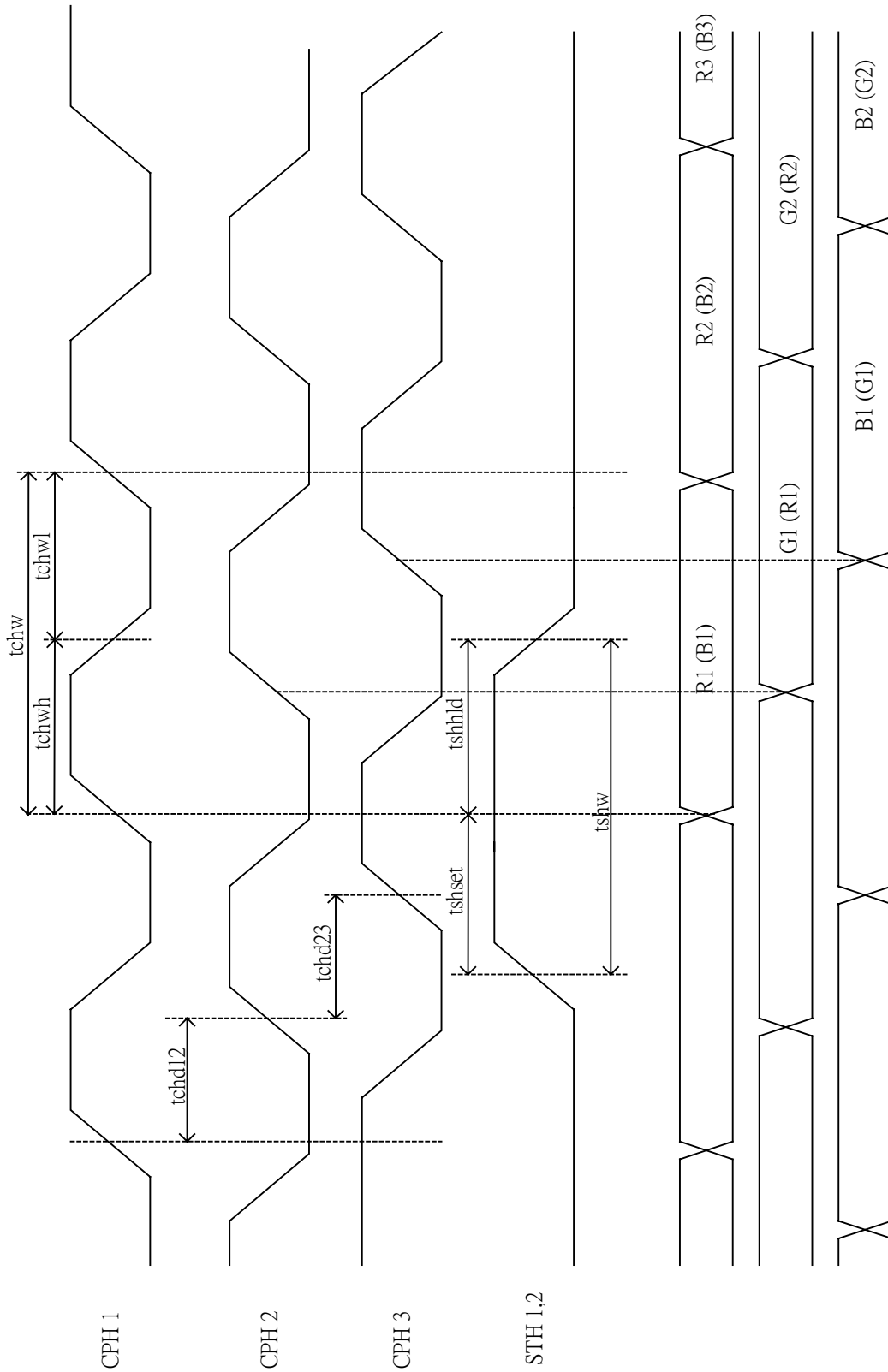


Fig. 8-4 Sampling Clock Timing

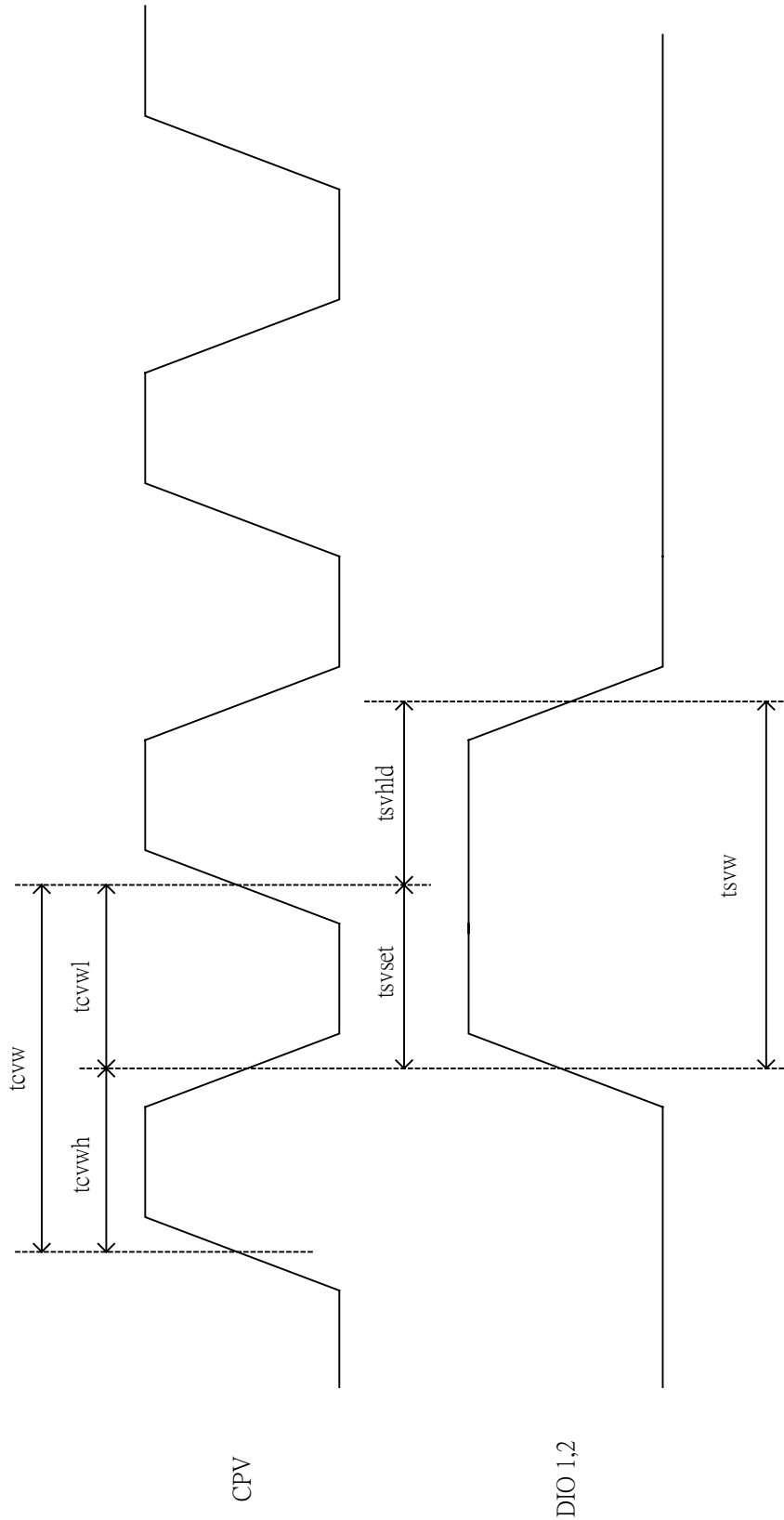


Fig. 8-5 Vertical Shift Clock Timing



Vertical timing (From up to down)

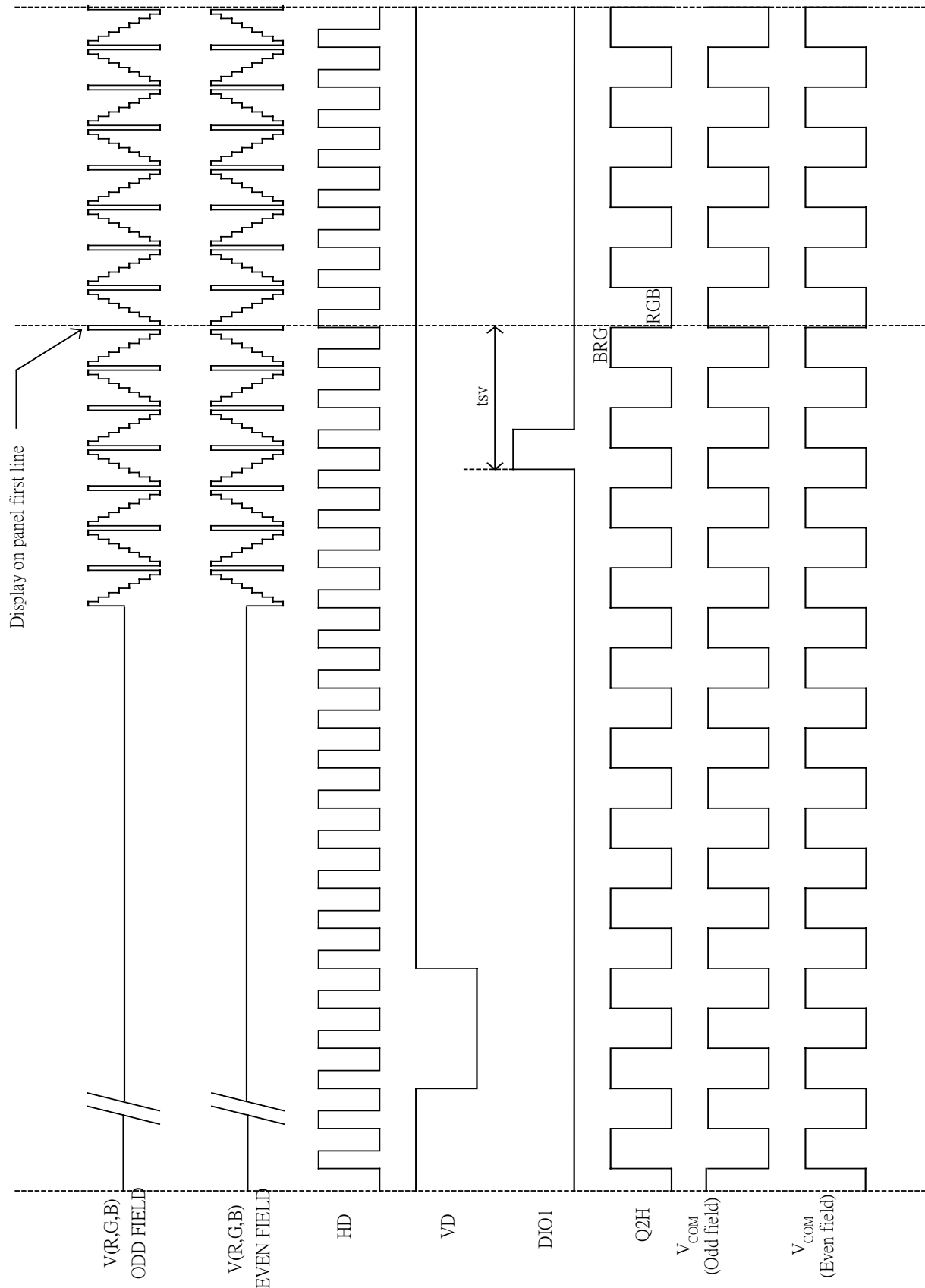


Fig. 8-6(b) Vertical Timing (From Up to Down)

Vertical timing (From down to up)

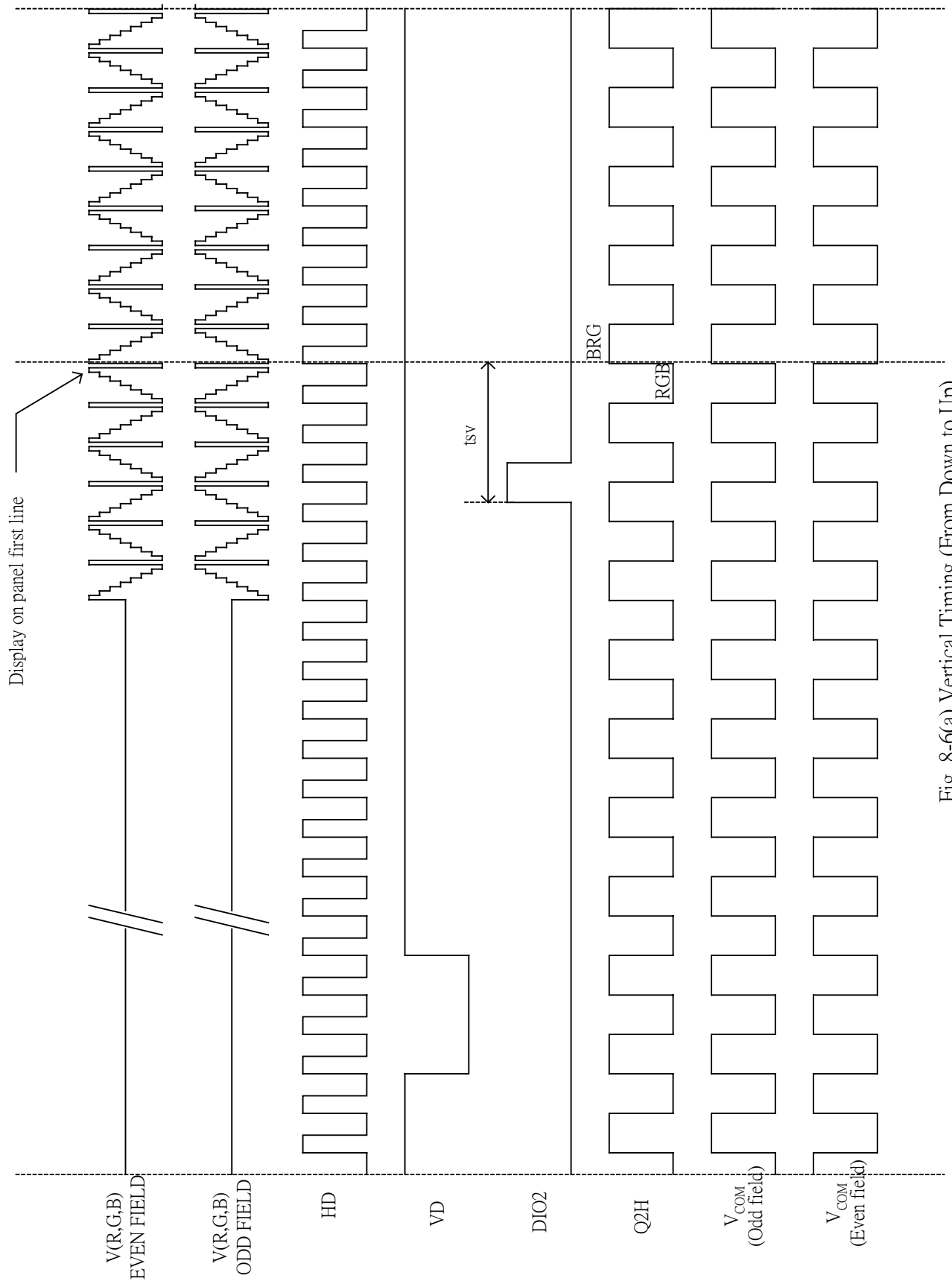
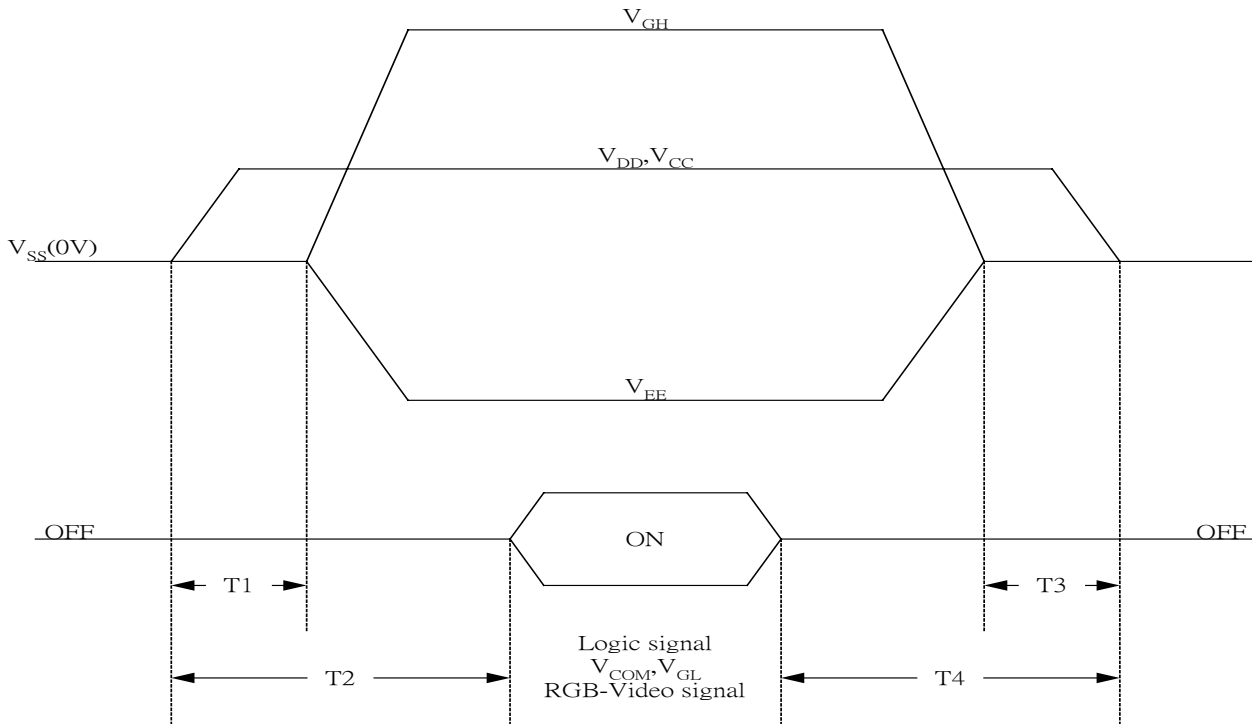


Fig. 8-6(a) Vertical Timing (From Down to Up)

### 9. Power on Sequence(Voltage source)

The Power on Sequence only effect by  $V_{CC}$ ,  $V_{SS}$ ,  $V_{DD}$ ,  $V_{EE}$  and  $V_{GH}$ , the others do not care.



- 1)  $10\text{ms} \leq T1 < T2$
- 2)  $0\text{ms} < T3 \leq T4 \leq 10\text{ms}$

### 10. Optical Characteristics

#### 10-1) Specification

$T_a = 25^\circ\text{C}$

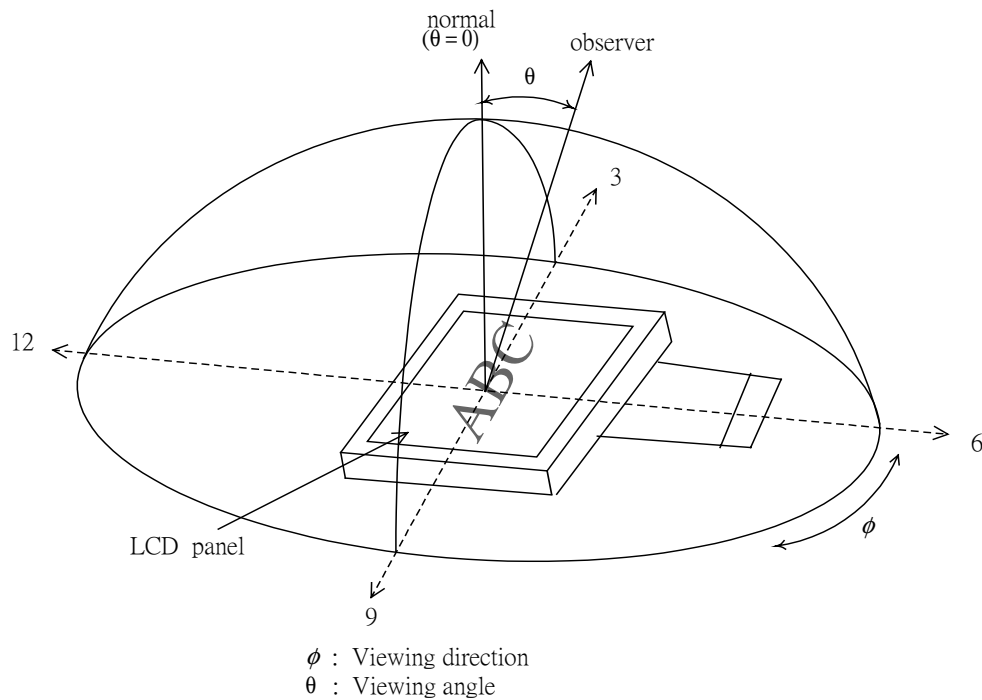
Parameter		Symbol	Condition	MIN.	TYP.	MAX.	Unit	Remarks
Viewing Angle	Horizontal	$\theta$	$CR \geq 10$	$\pm 45$	$\pm 50$		deg	Note 10-3
	Vertical	$\theta$ (to 12 o'clock)		10	15		deg	
		$\theta$ (to 6 o'clock)		30	35		deg	
Contrast Ratio		CR	At optimized Viewing angle	200	350			Note 10-1
Response time	Rise	$T_r$	$\theta = 0^\circ$		15	30	ms	Note 10-4
	Fall	$T_f$			25	50	ms	
Transmission Ratio		T		7.3	7.8	8.3	%	
Uniformity		U		65	70			
Brightness				200	250		$\text{cd}/\text{m}^2$	Note 10-2
White Chromaticity		X	$\theta = 0^\circ$	0.280	0.310	0.340		Note 10-2
		Y		0.300	0.330	0.360		
Lamp Life Time	$+25^\circ\text{C}$			1000	5000		hrs	

Note 10-1 :  $CR = \frac{\text{Luminance when LCD is White}}{\text{Luminance when LCD is Black}}$

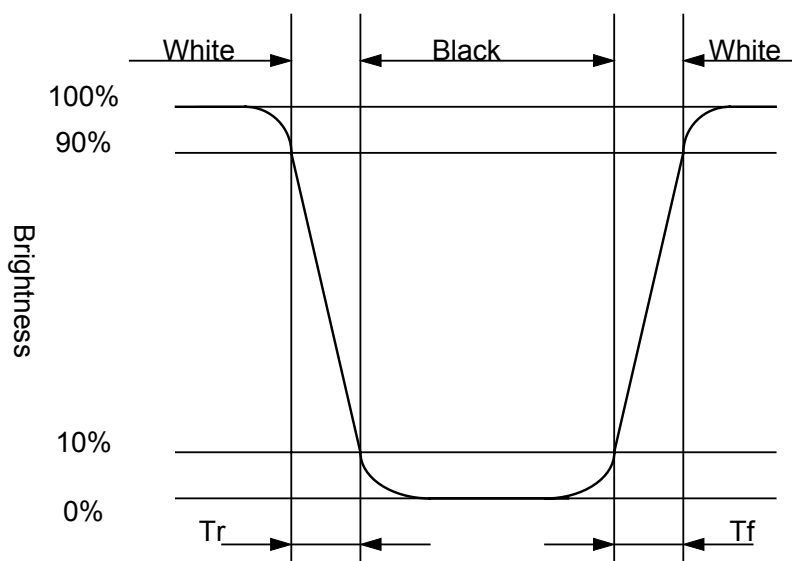
Contrast Ratio is measured in optimum common electrode voltage.  
(The test configurations of contrast ratio see section 10-2)

Note 10-2 : 1.Topcon BM-7(fast) luminance meter 1.0° field of view is used in the testing (after 10 minutes operation).

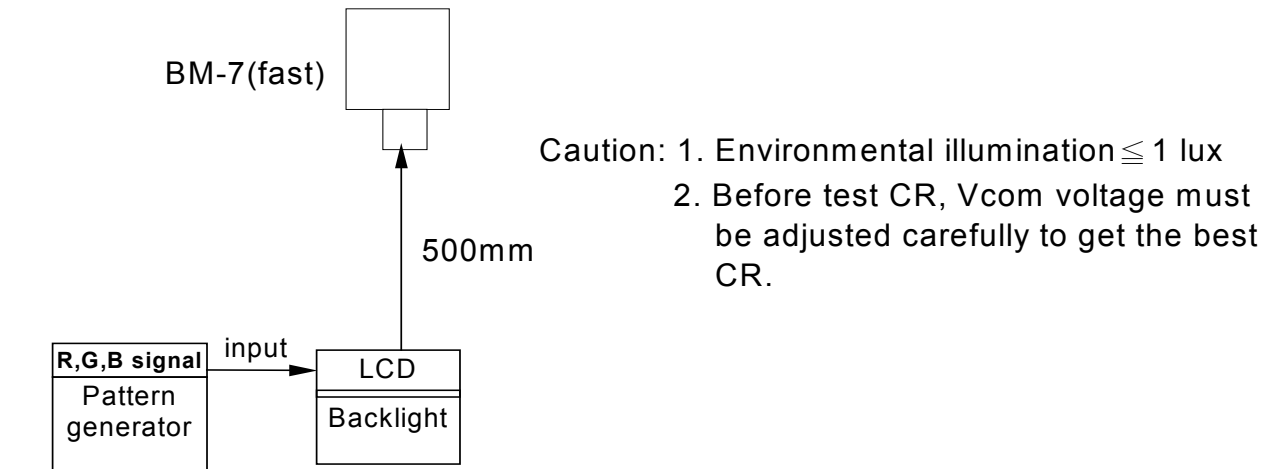
Note 10-3 : The definition of viewing angle diagram



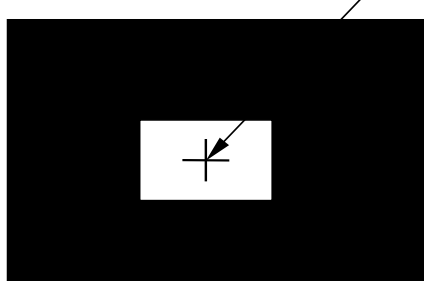
Note 10-4 : The definitions of response time



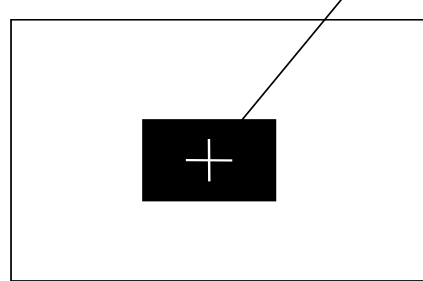
10-2) Test Configuration



- LCD Display Testing Point Testing Point

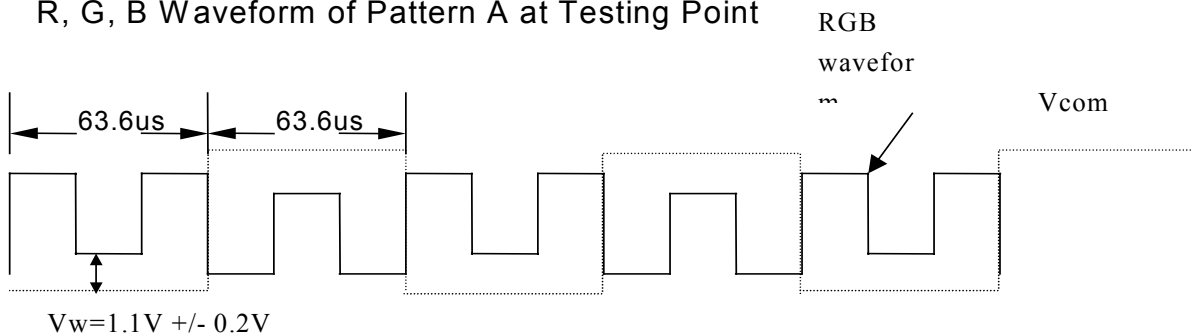


Pattern A

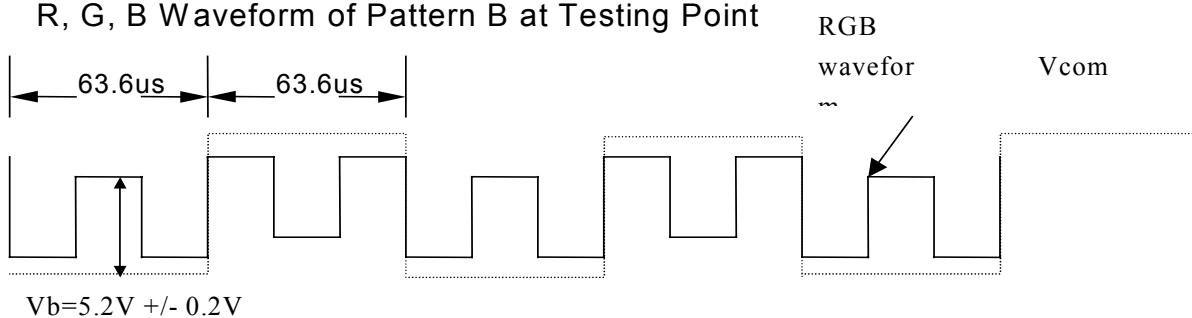


Pattern B

- R, G, B Waveform of Pattern A at Testing Point



- R, G, B Waveform of Pattern B at Testing Point



## 11. Handling Cautions

### 11-1) Mounting of module

- a) Please power off the module when you connect the input/output connector.
- b) Please connect the ground pattern of the backlight power circuit surely. If the connection is not perfect, some following problems may happen possibly.
  - 1. The noise from the backlight unit will increase.
  - 2. The output from power circuit will be unstable.
  - 3. In some cases a part of module will heat.
- c) Polarizer which is made of soft material and susceptible to flaw must be handled carefully.
- d) Protective film (Laminator) is applied on surface to protect it against scratches and dirt. It is recommended to peel off the laminator before use and taking care of static electricity.

### 11-2) Precautions in mounting

- a) When metal part of the TFT-LCD module (shielding lid and rear case) is soiled, wipe it with soft dry cloth.
- b) Wipe off water drops or finger grease immediately. Long contact with water may cause discoloration or spots.
- c) TFT-LCD module uses glass which breaks or cracks easily if dropped or bumped on hard surface. Please handle with care.
- d) Since CMOS LSI is used in the module. So take care of static electricity and earth yourself when handling.

### 11-3) Others

- a) Do not expose the module to direct sunlight or intensive ultraviolet rays for many Hours.
- b) Store the module at a room temperature place.
- c) The voltage of beginning electric discharge may over the normal voltage because of leakage current from approach conductor by to draw lump read lead line around.
- d) If LCD panel breaks, it is possibly that the liquid crystal escapes from the panel. Avoid putting it into eyes or mouth. When liquid crystal sticks on hands, clothes or feet. Wash it out immediately with soap.
- e) Observe all other precautionary requirements in handling general electronic components.
- f) Please adjust the voltage of common electrode as material of attachment by 1 module.

## 12. Reliability

No.	Test Item	Test Condition
1	High Temperature Storage Test	Ta = +70°C , 240 hrs
2	Low Temperature Storage Test	Ta = -20°C , 240 hrs
3	Low Temperature Operation Test	Ta = 0°C , 240 hrs
4	High Temperature & High Humidity Operation Test	Ta = +60°C , 90%RH , 240 hrs
5	Thermal Cycling Test (non-operating)	-25°C → +70°C , 200 Cycles 30 min 30 min
6	Vibration Test (non-operating)	Frequency : 10 ~ 55 Hz Amplitude : 1.0 mm Sweep time : 11 mins Test Period : 6 Cycles for each direction of X, Y, Z
7	Shock Test (non-operating)	100G , 6ms Direction : ±X , ±Y , ±Z Cycle : 3 times
8	Electrostatic Discharge Test (non-operating)	200pF , 0Ω ±200V 1 time / each terminal

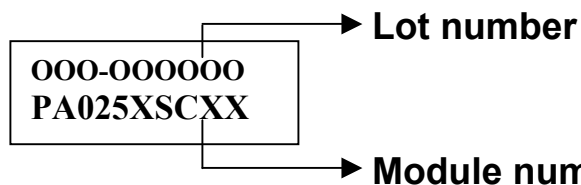
Ta: ambient temperature

## [Criteria]

Under the display quality test conditions with normal operation state, there should be no change which may affect practical display function.

## 13. Indication of Lot Number Label

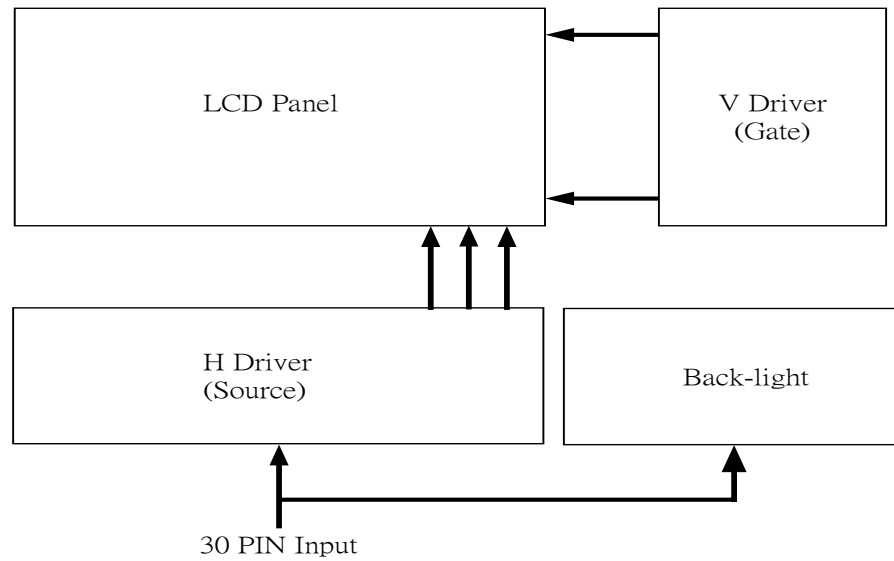
a) Indicated contents of the label



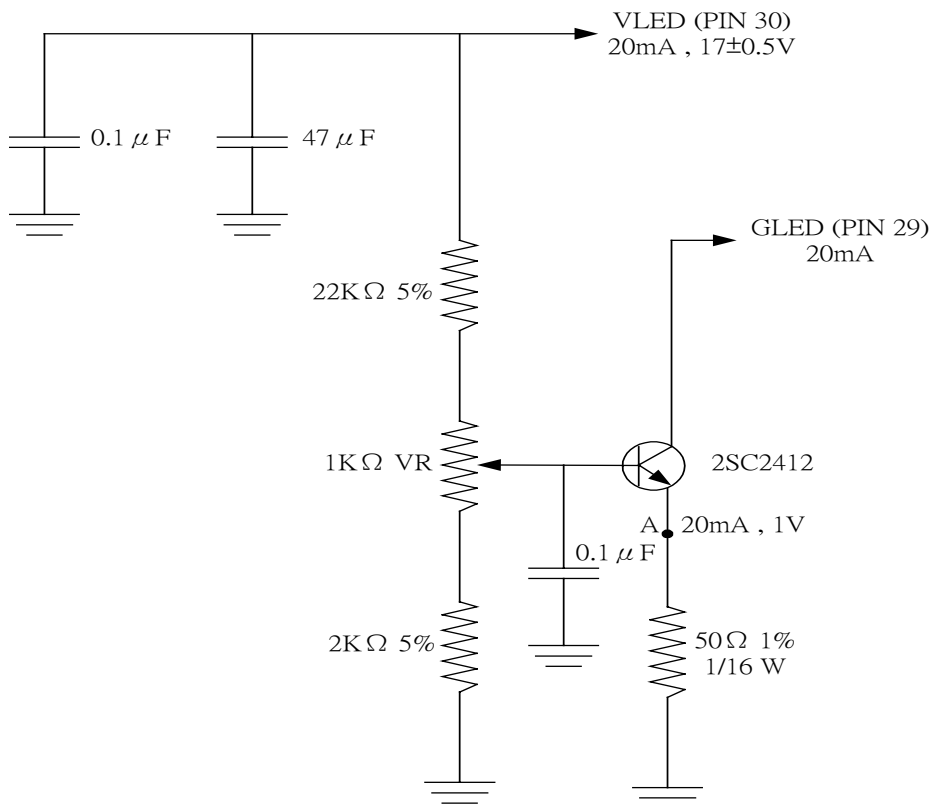
Contents of lot number : 1st~3rd—The OEM product  
 5th—Production year : 1999⇒9, 2000⇒A, 2001⇒B.....  
 6th—Production month : 1, 2, 3,...9, A, B, C  
 7th~8th—Production size : 2.5"⇒25  
 9th~10th—Serial numbers : 01~99

14. Block Diagram

14.1 LCD Module Diagram



14.2 Backlight Driving Diagram





15. Packing

ZONE	REV.	DOCUMENT NO.	DESCRIPTION	DATE	REV.BY

**NOTE:**

- One layer include: 1 piece of cushion sheet, 12pcs panel & 1 piece of tray.
- QTY: 108 pcs panel/carton.
- Dimension: 455\*375\*190mm
- Weight: 6.1KG

ITEM	PART NO.	DESCRIPTION	QTY	REMARK
6	50-0100091	CARTON INTERNAL	1	
5	50-0500041	摺口袋450*380*700mm	1	抗靜電
4	PA025XXX		108	
3	50-0200006	EPE Cushion Sheet 2.5	9	抗靜電
2	50-0300441	TRAY 2.5"	10	抗靜電
1	50-0300491	EPE PLATE 4.30*350*15	2	

MTL.SPEC.		UNSPECIFIED TOL'S		REMARK	
		ANGLE			
		ROUGHNESS			
APPROVE		SCALE	UNIT	SHEET	DWG.TITLE
CHECK				1 OF 2	PA025XXXXX PACKING DWG.
DESIGN	Jimmy	MTL.NO.	PA025XXXXX	DWG.NO.	REV. 01
	'01.06.01				A4 SIZE

ZONE	REV.	DOCUMENT NO.	DESCRIPTION	DATE	REV. BY															
<p><b>NOTE:</b></p> <ul style="list-style-type: none"> <li>1. Q'TY: 216pcs panel/carton.</li> <li>2. Dimension: 480*396*405mm</li> <li>3. Weight: 13.2KG</li> </ul>																				
<table border="1" style="width:100%; border-collapse: collapse;"> <tr> <td style="width:5%;"> </td> <td style="width:15%;"> </td> <td style="width:40%;"> </td> <td style="width:10%;"> </td> <td style="width:15%;"> </td> </tr> <tr> <td>7</td> <td>50-0100101</td> <td>CARTON EXTERNAL</td> <td>1</td> <td> </td> </tr> <tr> <td>ITEM</td> <td>PART NO.</td> <td>DESCRIPTION</td> <td>QTY</td> <td>REMARK</td> </tr> </table>											7	50-0100101	CARTON EXTERNAL	1		ITEM	PART NO.	DESCRIPTION	QTY	REMARK
7	50-0100101	CARTON EXTERNAL	1																	
ITEM	PART NO.	DESCRIPTION	QTY	REMARK																
MTL.SPEC.		UNSPECIFIED TOL'S		REMARK																
		ANGLE																		
		ROUGHNESS																		
APPROVE		SCALE	UNIT	SHEET	DWG.TITLE															
CHECK				2 OF 2	PA025XXXXX PACKING DWG.															
DESIGN	Jimmy	'01.06.01	MTL.NO. PA025XXXXX		DWG.NO.      REV. 01      A4 SIZE															

---

### Revision History

<b>Rev.</b>	<b>Issued Date</b>	<b>Revised Contents</b>
0.1	Mar. 30 , 2004	Preliminary