

The RF Line PNP Silicon High-Frequency Transistor

... designed for high-gain, low-noise amplifier oscillator and mixer applications. Specifically packaged for thick and thin-film circuits using surface mount components.

- High Gain — $G_{pe} = 17$ dB Typ @ $f = 450$ MHz
- Low Noise — $NF = 3.0$ dB Typ @ $f = 450$ MHz
- Available in tape and reel packaging options by adding suffix:
T1 suffix = 3,000 units per reel
T3 suffix = 10,000 units per reel

MMBR4957LT1, T3

$I_C = -30$ mA
HIGH-FREQUENCY
TRANSISTOR
PNP SILICON

MAXIMUM RATINGS

Rating	Symbol	Value	Unit
Collector-Emitter Voltage	V_{CEO}	-30	Vdc
Collector-Base Voltage	V_{CBO}	-30	Vdc
Emitter-Base Voltage	V_{EBO}	-3.0	Vdc
Collector Current — Continuous	I_C	-30	mAdc
Maximum Junction Temperature	T_{Jmax}	150	°C
Power Dissipation, $T_{case} = 75^\circ\text{C}^*$ Derate linearly above $T_{case} = 75^\circ\text{C}$ @	$P_{D(max)}$	0.278 3.70	W mW/°C

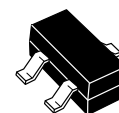
THERMAL CHARACTERISTICS

Characteristic	Symbol	Max	Unit
Storage Temperature	T_{stg}	-55 to +150	°C
Thermal Resistance Junction to Case*	$R_{\theta JC}$	270	°C/W

* Package mounted on 99.5% alumina 10 x 8 x 0.6 mm.

DEVICE MARKING

MMBR4957LT1, T3 = 7F



CASE 318-07, STYLE 6
SOT-23
LOW PROFILE
(TO-236AA/AB)

ELECTRICAL CHARACTERISTICS ($T_A = 25^\circ\text{C}$ unless otherwise noted.)

Characteristic	Symbol	Min	Typ	Max	Unit
----------------	--------	-----	-----	-----	------

OFF CHARACTERISTICS

Collector-Emitter Breakdown Voltage ($I_C = -1.0$ mAdc, $I_B = 0$)	$V_{(BR)CEO}$	-30	—	—	Vdc
Collector-Base Breakdown Voltage ($I_C = -100$ μ Adc, $I_E = 0$)	$V_{(BR)CBO}$	-30	—	—	Vdc
Emitter-Base Breakdown Voltage ($I_E = -100$ μ Adc, $I_C = 0$)	$V_{(BR)EBO}$	-3.0	—	—	Vdc
Collector Cutoff Current ($V_{CB} = -10$ Vdc, $I_C = 0$)	I_{CBO}	—	—	-0.1	μ Adc

ON CHARACTERISTICS

DC Current Gain ($I_C = -2.0$ mAdc, $V_{CE} = -10$ Vdc)	h_{FE}	20	—	150	—
--	----------	----	---	-----	---

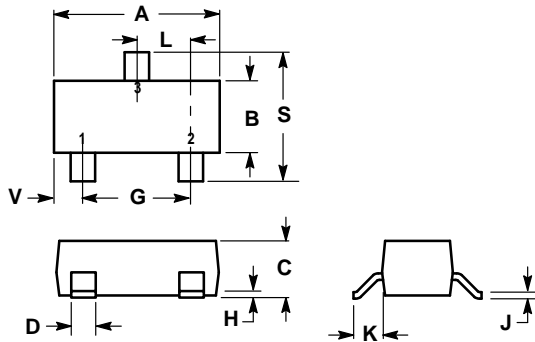
SMALL-SIGNAL CHARACTERISTICS

Current-Gain — Bandwidth Product ($I_E = -2.0$ mAdc, $V_{CE} = -10$ Vdc, $f = 100$ MHz)	f_T	—	1200	—	MHz
Collector-Base Capacitance ($V_{CB} = -10$ Vdc, $I_E = 0$, $f = 1.0$ MHz)	C_{cb}	—	—	0.8	pF
Common-Emitter Amplifier Power Gain ($V_{CE} = -10$ Vdc, $I_C = -2.0$ mAdc, $f = 450$ MHz)	G_{pe}	—	17	—	dB
Noise Figure ($I_C = -2.0$ mAdc, $V_{CE} = -10$ Vdc, $f = 450$ MHz)	NF	—	3.0	—	dB

VCE (Volts)	IC (mA)	f MHz	S11		S21		S12		S22		
			S11	φ	S21	φ	S12	φ	S22	φ	
-5.0	-5.0	0.1	0.61	-37	9.28	148	0.03	72	0.90	-16	
		0.3	0.39	-83	5.56	112	0.07	62	0.69	-27	
		0.5	0.30	-107	3.73	95	0.09	62	0.62	-30	
		0.7	0.26	-125	2.79	84	0.12	62	0.59	-34	
		0.9	0.24	-140	2.26	76	0.14	61	0.58	-38	
		1.2	0.24	-158	1.78	65	0.17	60	0.58	-45	
		1.5	0.23	-172	1.49	55	0.20	60	0.58	-51	
		2.0	0.23	156	1.17	43	0.24	60	0.56	-61	
		2.5	0.25	133	0.98	33	0.29	59	0.54	-72	
		3.0	0.29	105	0.85	26	0.34	58	0.50	-83	
	-10	-10	0.1	0.42	-55	11.54	138	0.03	71	0.84	-18
			0.3	0.28	-108	5.81	104	0.06	66	0.64	-25
			0.5	0.25	-132	3.72	90	0.08	67	0.59	-28
			0.7	0.25	-148	2.77	81	0.11	66	0.58	-32
			0.9	0.25	-162	2.23	73	0.13	66	0.57	-37
			1.2	0.26	-177	1.74	62	0.16	65	0.57	-43
			1.5	0.26	170	1.46	54	0.19	65	0.57	-50
			2.0	0.27	142	1.14	41	0.24	65	0.56	-60
			2.5	0.30	122	0.95	32	0.29	64	0.53	-73
			3.0	0.34	97	0.82	26	0.35	61	0.50	-83
	-15	-15	0.1	0.24	-90	6.83	129	0.02	69	0.80	-12
			0.3	0.24	-136	3.17	107	0.05	70	0.72	-19
			0.5	0.27	-153	2.23	96	0.08	69	0.69	-26
			0.7	0.29	-167	1.75	86	0.10	70	0.66	-32
			0.9	0.31	-178	1.47	77	0.12	70	0.65	-38
			1.2	0.32	168	1.20	65	0.15	70	0.64	-46
			1.5	0.32	155	1.03	56	0.18	72	0.63	-53
			2.0	0.34	130	0.83	44	0.24	71	0.60	-65
			2.5	0.36	111	0.71	36	0.31	68	0.57	-78
			3.0	0.41	89	0.64	31	0.37	64	0.51	-90
-10	-5.0	0.1	0.65	-33	9.36	149	0.03	74	0.92	-14	
		0.3	0.42	-73	5.77	114	0.06	64	0.72	-25	
		0.5	0.31	-95	3.91	98	0.09	63	0.65	-29	
		0.7	0.26	-111	2.94	87	0.11	63	0.62	-32	
		0.9	0.24	-126	2.39	78	0.14	62	0.61	-37	
		1.2	0.23	-144	1.87	67	0.17	60	0.60	-43	
		1.5	0.21	-159	1.58	58	0.19	60	0.60	-49	
		2.0	0.20	166	1.24	46	0.23	60	0.58	-58	
		2.5	0.21	141	1.04	35	0.27	59	0.56	-69	
		3.0	0.25	109	0.90	28	0.32	59	0.52	-79	
	-10	-10	0.1	0.49	-46	12.33	141	0.03	71	0.87	-17
			0.3	0.30	-91	6.45	107	0.06	67	0.66	-24
			0.5	0.25	-114	4.19	93	0.08	67	0.61	-27
			0.7	0.23	-132	3.10	83	0.11	66	0.59	-31
			0.9	0.22	-147	2.50	75	0.13	65	0.58	-35
			1.2	0.23	-164	1.96	65	0.16	64	0.58	-41
			1.5	0.23	-178	1.63	57	0.18	65	0.58	-47
			2.0	0.23	150	1.27	44	0.23	65	0.57	-57
			2.5	0.25	128	1.06	35	0.28	64	0.55	-67
			3.0	0.30	101	0.92	27	0.33	62	0.51	-78
	-15	-15	0.1	0.38	-57	12.51	135	0.02	71	0.84	-17
			0.3	0.25	-107	5.97	103	0.05	69	0.66	-21
			0.5	0.23	-130	3.84	90	0.08	69	0.63	-25
			0.7	0.23	-147	2.84	81	0.10	68	0.61	-29
			0.9	0.24	-161	2.29	74	0.12	67	0.61	-34
			1.2	0.26	-177	1.80	64	0.15	68	0.60	-41
			1.5	0.26	170	1.50	55	0.18	68	0.61	-47
			2.0	0.27	141	1.17	43	0.23	69	0.59	-57
			2.5	0.29	120	0.97	34	0.28	67	0.57	-68
			3.0	0.34	96	0.84	27	0.34	64	0.53	-79

Table 1. Common Emitter S-Parameters

PACKAGE DIMENSIONS




- NOTES:
1. DIMENSIONING AND TOLERANCING PER ANSI Y14.5M, 1982.
 2. CONTROLLING DIMENSION: INCH.
 3. MAXIMUM LEAD THICKNESS INCLUDES LEAD FINISH THICKNESS. MINIMUM LEAD THICKNESS IS THE MINIMUM THICKNESS OF BASE MATERIAL.

DIM	INCHES		MILLIMETERS	
	MIN	MAX	MIN	MAX
A	0.1102	0.1197	2.80	3.04
B	0.0472	0.0551	1.20	1.40
C	0.0350	0.0440	0.89	1.11
D	0.0150	0.0200	0.37	0.50
G	0.0701	0.0807	1.78	2.04
H	0.0005	0.0040	0.013	0.100
J	0.0034	0.0070	0.085	0.177
K	0.0180	0.0236	0.45	0.60
L	0.0350	0.0401	0.89	1.02
S	0.0830	0.0984	2.10	2.50
V	0.0177	0.0236	0.45	0.60

- STYLE 6:
 PIN 1. BASE
 2. EMITTER
 3. COLLECTOR

**CASE 318-07
 ISSUE AD**

Motorola reserves the right to make changes without further notice to any products herein. Motorola makes no warranty, representation or guarantee regarding the suitability of its products for any particular purpose, nor does Motorola assume any liability arising out of the application or use of any product or circuit, and specifically disclaims any and all liability, including without limitation consequential or incidental damages. "Typical" parameters can and do vary in different applications. All operating parameters, including "Typicals" must be validated for each customer application by customer's technical experts. Motorola does not convey any license under its patent rights nor the rights of others. Motorola products are not designed, intended, or authorized for use as components in systems intended for surgical implant into the body, or other applications intended to support or sustain life, or for any other application in which the failure of the Motorola product could create a situation where personal injury or death may occur. Should Buyer purchase or use Motorola products for any such unintended or unauthorized application, Buyer shall indemnify and hold Motorola and its officers, employees, subsidiaries, affiliates, and distributors harmless against all claims, costs, damages, and expenses, and reasonable attorney fees arising out of, directly or indirectly, any claim of personal injury or death associated with such unintended or unauthorized use, even if such claim alleges that Motorola was negligent regarding the design or manufacture of the part. Motorola and  are registered trademarks of Motorola, Inc. Motorola, Inc. is an Equal Opportunity/Affirmative Action Employer.

Literature Distribution Centers:

USA: Motorola Literature Distribution; P.O. Box 20912; Phoenix, Arizona 85036.

EUROPE: Motorola Ltd.; European Literature Centre; 88 Tanners Drive, Blakelands, Milton Keynes, MK14 5BP, England.

JAPAN: Nippon Motorola Ltd.; 4-32-1, Nishi-Gotanda, Shinagawa-ku, Tokyo 141, Japan.

ASIA PACIFIC: Motorola Semiconductors H.K. Ltd.; Silicon Harbour Center, No. 2 Dai King Street, Tai Po Industrial Estate, Tai Po, N.T., Hong Kong.



MMBR4957LT1/D

