

取扱製品

T-49-17-01

# 半導体デバイス

SEMICONDUCTOR DEVICES

## ■メモリ・MPU

### ●ROM

EPROM	容量(bit)	構成	構造	アクセス時間(nsec)	電源電圧(V)	パッケージ
M2716	16K	2K×8	NMOS	350, 450	5±5% 5±10%	DIP-24
M2732	32K	4K×8				
M2764A	64K	8K×8	CMOS	200, 250		DIP-28
TS27C64A		128K	16K×8			
M27128A	256K	32K×8	NMOS	80, 100, 120, 150, 200		
M27256		CMOS				
M27C256B	512K	64K×8	NMOS	200, 250		
M27512		1M	128K×8	CMOS		120, 150, 200, 250
M27C512	64K×16		DIP-40			
M27C1000						
M27C1001						
M27C1024						

EEPROM	容量(bit)	構成	構造	書き換え回数	動作クロック(MHz)	電源電圧(V)	パッケージ
ST93C46	1K	64×16, 128×8	CMOS	100万回	1	5±10%	DIP-8, SO-8
ST93C56	2K	128×16					SO-14

### ●RAM

ZEROPOWER	容量(bit)	構成	機能	電源電圧(V)	パッケージ
MK48Z02B	16K	2K×8	電池内蔵、電池寿命11年 70°C	5±10%	DIP-24
MK48T02B			カレンダー、時計、電池内蔵		
MK48Z08B	64K	8K×8	電池内蔵、電池寿命11年 70°C		DIP-28
MK48T08B			カレンダー、時計、電池内蔵		
MK48Z32 (◎)	256K	32K×8	電池内蔵、電池寿命11年 70°C	リアルタイムクロック	DIP-24
MK48T87 (※)					

高速 SRAM	容量(bit)	構成	構造	アクセス時間(nsec)	電源電圧(V)	パッケージ	
IMS1203	4K	4K×1	CMOS	25, 35, 45	5±10%	DIP-18	
IMS1223		1K×4		25, 35, 45, 55		DIP-20, LCC-20	
IMS1403		16K×1		20, 25, 35		DIP-20	
MK41H68	16K	4K×4		25, 35, 45, 55		DIP-20, LCC-20, SOJ-20	
IMS1423		2K×8		150, 200, 250		DIP-24, SOIC-28	
MK6116		64K×1		15, 20, 25		DIP-22, LCC-22, SOJ-24	
IMS1605	64K	16K×4		45, 55, 70, 100, 120		70, 120	DIP-28, SOIC-28
IMS1625		8K×8					
IMS1630L		256K×1		25, 30, 35, 45			
MK6264	256K	64K×4		100, 120		70, 120	DIP-28, SOIC-28
IMS1800		32K×8	70, 120				
IMS1820 (※)		1M	55, 70, 85	DIP-32, SOJ-32			
MK48256 (※)							
MK4832L (※)							
MK48127 (◎)							

CACHE TAG	容量(bit)	構成	構造	アクセス時間(nsec)	電源電圧(V)	パッケージ
MK41H80	16K	4K×4	CMOS	20, 22, 25, 35	5±10%	DIP-22
MK4202	40K	2K×20		20, 22, 25		PLCC-68
MK48S74	64K	8K×8		15, 17, 20		DIP-28, SOJ-28
MK44S80		16K×4		DIP-24(300MIL)		

FIFO	機能	構成	構造	アクセス時間(nsec)	電源電圧(V)	パッケージ
MK45264	双方向	(64×5)×2	CMOS	55, 70	5±10%	DIP-24
MK4501	高速	512×9		65, 80, 100, 120, 150, 200		DIP-28, PLCC-32
MK45H01 (※)				25, 35, 50, 65, 120		
MK45H02 (※)	1K×9	25, 33, 50		DIP-24/DIP-20		
MK4505M/S	マスター/スレーブ	1024×5		65, 80, 100, 120, 150, 200		DIP-28, PLCC-32
MK4503	高速	2K×9		25, 35, 50, 65, 120		DIP-28
MK45H03 (※)		4K×9				
MK45H04 (※)		8K×9				
MK45H08 (※)						

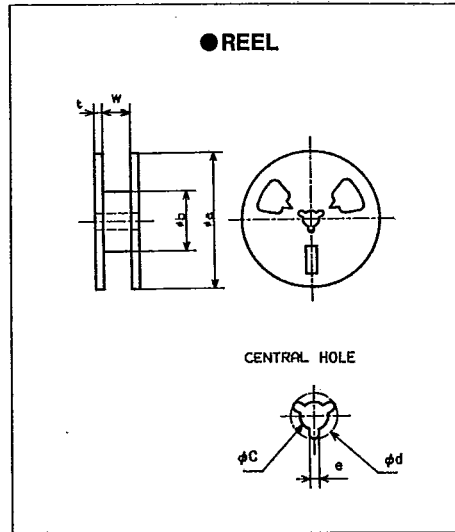
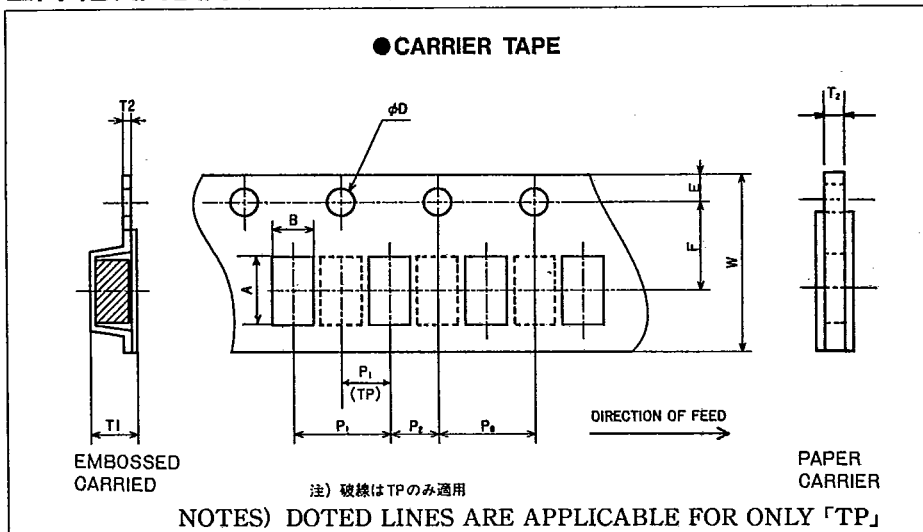
### ●MPU

品名	処理ビット数	構造	クロック周波数(MHz)	電源電圧(V)	パッケージ
TS68000	16	NMOS	8, 10, 12, 16	5±5%	DIP-64, PLCC-68

二次加工品

# PACKAGING FOR CHIP COMPONENTS

## PACKAGING SPECIFICATIONS



## CARRIER TAPE

TYPE	FLAT CHIP								MELF					TRIMMER			R-NET	LFC CCF				
	1E		1J		2A		2B		2E	2H	3A	2A	2B	2D	2E	2H			C4	C12	C14	C4315
	F/C	F/C	CN	F/C	CN	F/C	CN	CC-10				CC-12	CC-20	CC-25	C4				C12	C14	C4315	
DIM (mm)	L	1.0	1.6	0.8×n	2.0	1.27×n	3.2	1.27×n	3.3	5.1	6.5	2.0	3.5	3.2	5.9	5.9	4.5	4.5	4.5	11.0	3.2	
	W/D	0.5	0.8	1.6	1.25	2.0	1.6	3.2	2.5	2.6	3.2	1.25	1.45	1.55	2.2	2.2	3.8	3.8	4.0	7.7	2.5	
	T	0.35	0.5	0.55	0.6	0.6	0.6	0.6	0.6	0.6	0.6	—	—	—	—	—	1.65	1.7	2.4	2.0	2.2	
EMBOSSED CARRIER SYMBOL		TE		TE		TE		TE	TE	TE	T	T	T	T	T	T	T	T	T	ET	TE	
LAMINATED PAPER CARRIER SYMBOL	TP	TD TP		TD TP		TD		TD												CT		
DIM. CODE	TP1	TD1 TP2	2 TD5 4 TD3 8 TE6	TD145 TE103 TP168	2 TE7 4 TE8 8 TE9	TD3 TE2	2 TE10 4 TE11 8 TE12	TD4 TE3	TE4	TE5	T1	T2	T3	T4	T4	T5	T5	T6	ET1 CT1	TE13		
WEIGHT (g)	IREEL	115	TD TP 125 136	2 135 4 160 8 174	TD 145 TE 103 TP 168	2 137 4 175 8 313	TD 160 TE 108	2 130 4 163 8 230	TD 185 TE 131	195	165	90	130	115	175	175	130	130	100	ET 1500 CT 800	LFC 120 CCP 110	
	NET/1000PCS	0.68	2.14	2 4.72 4 9.44 8 18.9	4.54	2 9.55 4 19.1 8 38.2	9.14	2 16.1 4 32.2 8 64.3	15.5	24.3	37.1	10.1	23.1	25.9	73.8	73.8	115	115	120	255	LFC 50 CCP 38.5	
FLAT CHIP	RK73	TP10000	TD5000 TP10000	TD5000 TE4000 TP10000	TD5000 TE4000	TD5000 TE4000	TD5000 TE4000	TD5000 TE4000	4000	2000											4	
	RK73N			TD5000 TE4000 TP10000	TD5000 TE4000	TD5000 TE4000	TD5000 TE4000	TD5000 TE4000														5
	RN73			TD5000 TE4000 TP10000	TD5000 TE4000	TD5000 TE4000	TD5000 TE4000	TD5000 TE4000														6
	LT73			TD5000	TD5000																	7
	RD41								3000	3000	2000	1500										8
	RN41								3000	3000	2000	1500										8
	RM41										2000	1500		1500								8
	MLT											3000	1500									9
	CC											3000	2000	1500								9
	C4000								3000	3000	2000	1500					750	750	500			11
	CN-2			TD5000																		12
	CN-4			TD5000	TE4000		TE2000															
	CN-8			TE4000																		
	HM16																			2000		13
	HN16																					
	RF73			TD5000		TD5000																14
	CCP																				2000	15
	NT73			TD5000		TD5000																16
	PT73							TE4000														17
	LFC32																				2000	18

**CARRIER TAPE DIMENSIONS**

mm

TAPE	TYPE	DIMENSIONS CODE	A	B	W	E	F	T <sub>1</sub>	T <sub>2</sub>	P <sub>0</sub>	P <sub>1</sub>	P <sub>2</sub>	φD
PAPER CARRIER	F/C	TP1	1.15±0.1	0.65±0.1	8.0±0.2	1.75±0.1	3.5±0.05	—	0.45±0.1	4.0±0.1	2.0±0.05	2.0±0.05	1.5±0.1
		TD1	1.9±0.1	1.1±0.1	"	"	"	—	0.60±0.1	"	4.0±0.1	"	"
		TP2	1.9±0.1	1.1±0.1	"	"	"	—	0.60±0.1	"	2.0±0.05	"	"
		TD2	2.4±0.1	1.65±0.1	"	"	"	—	0.75±0.1	"	4.0±0.1	"	"
		TP3	2.3±0.1	1.5±0.1	"	"	"	—	0.75±0.1	"	2.0±0.05	"	"
		TD3	3.5±0.1	2.0±0.1	"	"	"	—	0.75±0.1	"	4.0±0.1	"	"
		TD4	3.5±0.1	2.8±0.1	"	"	"	—	0.75±0.1	"	4.0±0.1	"	"
EMBOSSED CARRIER	F/C	TE1	2.4±0.2	1.45±0.15	"	"	"	0.85±0.1	0.25±0.1	"	"	"	"
		TE2	3.5±0.1	1.9±0.1	"	"	"	1.0±0.1	"	"	"	"	"
		TE3	3.6±0.15	2.9±0.15	"	"	"	"	0.2±0.1	"	"	"	"
		TE4	5.4±0.2	2.9±0.2	12.0±0.1	"	5.5±0.5	0.85±0.1	"	"	"	"	"
		TE5	6.9±0.2	3.6±0.2	"	"	"	"	"	"	8.0±0.1	"	"
	CN	TE6	6.9±0.1	2.0±0.1	12.0±0.3	"	5.5±0.05	1.0MAX	0.3±0.1	"	4.0±0.1	"	"
		TE7	2.95±0.1	2.4±0.1	8.0±0.2	"	3.5±0.05	"	"	"	"	"	"
		TE8	5.5±0.1	2.5±0.1	12.0±0.3	"	5.5±0.05	"	"	"	"	"	"
		TE9	10.5±0.1	2.4±0.1	16.0±0.3	"	7.5±0.1	"	0.3±0.1	"	"	2.0±0.1	"
		TE10	3.6±0.15	2.9±0.1	8.0±0.2	"	3.5±0.05	"	0.2±0.1	"	4.0±0.1	2.0±0.05	"
		TE11	5.45±0.2	3.6±0.2	12.0±0.3	"	5.5±0.05	"	0.3±0.1	"	8.0±0.1	2.0±0.1	"
		TE12	10.55±0.2	"	16.0±0.3	"	7.5±0.1	"	"	"	"	"	"
		LFC CCP	TE13	3.5±0.1	2.8±0.1	8.0±0.2	"	3.5±0.05	2.4±0.1	"	"	4.0±0.1	"
	HM16	ET1	11.6±0.1	8.2±0.1	24.0±0.3	"	11.5±0.1	2.6±0.1	0.4±0.05	"	12.0±0.1	—	"
	MELF MCR	T1	2.3±0.1	1.9±0.2	8.0±0.2	"	3.5±0.05	1.4MAX	0.25±0.05	"	4.0±0.1	2.0±0.05	"
		T2	3.7±0.1	1.7±0.1	"	"	"	1.6±0.1	0.2±0.05	"	"	"	"
		T3	3.5±0.1	1.9±0.1	"	"	"	1.8±0.1	"	"	"	"	"
		T4	6.2±0.1	2.4±0.1	12.0±0.2	"	5.5±0.1	2.5±0.1	0.3±0.05	"	"	2.0±0.1	"
	C4000	T5	5.0±0.2	4.3±0.2	12.0±0.3	1.75±0.1	5.5±0.1	2.7±0.2	0.3±0.1	"	8.0±0.1	"	1.5±0.15
T6		"	"	"	"	"	3.0±0.2	"	"	"	"	"	

F/C : FLAT CHIP

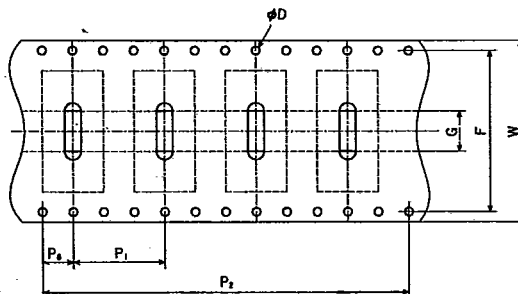
**REEL DIMENSIONS**

mm

DIMENSIONS CODE	φa	φb	w	t	φc	φd	e
TP1~TP3 TD1~TD5 TE1~TE3 TE7, TE10 TE13	178±2.0	80±2.0	10±1.0	1.5±0.5	13±0.5	27±2.0	3.0±0.5
TE9, TE12	"	60±2.0	16.4 <sup>+2.0</sup> <sub>-0</sub>	"	"	21±2.0	2.0±0.5
ET1	330±2.0	"	25.5±1.0	"	"	23±1.0	2.0 <sup>+0.5</sup> <sub>-0</sub>
T1~T3	178±2.0	60±2.0	10±1.5	"	"	21±2.0	2.0 <sup>+0.5</sup> <sub>-0</sub>
TE4~TE6 TE8, TE11 T4, T5, T6	"	"	14±1.5	"	"	"	"
CT1	300±2.0	80±2.0	34 <sup>+0</sup> <sub>-1.5</sub>	1.5±0.25	16±0.5	—	—

**PAPER CARRIER TAPE (HM16-TYPE)**

CARRIER TAPE (SYMBOL: CT)



DIMENSIONS	W	F	G	P <sub>0</sub>	P <sub>1</sub>	P <sub>2</sub>	φD
mm	32±0.3	26±0.1	6.0±0.2	4.0±0.1	12±0.1	48±0.3 (12PITCH)	1.0 <sup>+0.1</sup> <sub>-0</sub>

二次加工品

# 二次加工品

## PACKAGING FOR DISCRETE COMPONENTS(TAPING)

### ■AXIAL TAPE

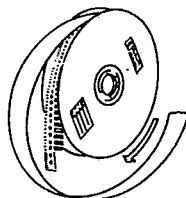
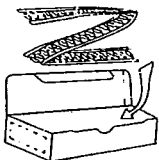
TYPE	DIMENSIONS(mm)			AXIAL TAPE				WEIGHT g/1000PCS	PAGE
	L	D	d	T26	T52	T521	T631		
SN 2C (SNF) 2E 2H	3.2	1.7	0.45	3000	3000			150	22, 23
	6.5	2.3	0.6	2000	2000			280	
	9.5	3.5	0.6		2000			430	
RNS 1/8	6.5	2.3	0.6		2000			200	26
RK14B 2E 2H 3A	6.5	2.3	0.6	2000	2000			310	25
	9.5	3.5	0.6		2000			380	
	15.5	5.5	0.8			500*		1340	
CW 1/4 1/2 1 2 3	3.3	1.9	0.45		2000			160	41
	6.5	2.5	0.6		2000			250	
	9.5	3.5	0.8		2000			650	
	13.0	4.0	0.8		1000	1000		950	
	15.0	6.0	0.8			500*	1000	1780	
RSF 1/8 (RSFX) 1B 2B	9.0	3.5	0.6		2000(L)			480	30, 31
	11.5	4.0	0.8		1000	1000(L)		700	
	15.5	6.0	0.8			500(L)*	1000(L)	1400	
RSS 1/2 (RSSX) 1 2 3	6.5	2.5	0.6	2000	2000(L)			250	32, 33
	9.0	3.0	0.8		2000(L)			350	
	12.0	4.0	0.8		1000	1000(L)		800	
	15.5	6.0	0.8			500(L)*	1000(L)	1400	
SPR 1/2 (SPRX) 1 2 3	6.5	2.5	0.6	2000	2000(L)			250	34, 35
	9.0	3.5	0.8		2000(L)			500	
	12.0	4.2	0.8			1000(L)		1000	
	15.5	6.0	0.8				1000(L)	1400	
RD 16S 25S 50S 50SS	3.2	1.7	0.45	5000	3000			150	19
	6.5	2.3	0.6	2000	2000			250	
	9.5	3.5	0.7		2000			480	
	6.3	2.85	0.6	2000	2000			290	
	Z 16Z 25Z	3.2	1.7	0.45	5000	3000			
6.5	2.3	0.6	2000	2000			250		
J 1/2Z 1/4Z	3.4	1.7	0.5	2000	2000			130	20
	6.5	2.3	0.6	2000	2000			200	
JLT 26 52	—	—	0.6	5000*				100	76
	—	—	0.6		5000			160	
RDF 16S 25S 50S 50SS	3.2	1.7	0.45	5000	3000			140	21
	6.5	2.3	0.6	2000	2000(L)			250	
	9.5	3.5	0.7		2000(L)			480	
	6.3	2.85	0.6	2000	2000			290	
	LT 1/8S 1/4S	3.2	1.7	0.45	3000	3000			
6.5	2.3	0.6	2000	2000			260		
RF 16S 25S 50S 1S 2S	3.2	1.7	0.45	2000	2000			150	44
	6.5	2.3	0.6	2000	2000			250	
	8.5	3.0	0.6		2000			330	
	9.5	3.5	0.8		2000	500(L)*	1000	430	
	15.5	6.0	0.8		500	500		1400	
CWG 1 2	11.0	4.0	0.8		1000			700	42
	14.0	4.5	0.8		1000			1400	
LF 5.0S 7.5	3.4	2.3	0.45	2000	2000			170	50, 51
	4.5	3.8	0.6	2000	2000			240	

REMARK) WEIGHT IS FOR T52 & MARKING\*. MARKING(L) : T & LT TYPE  
NON MARKING : T TYPE ONLY

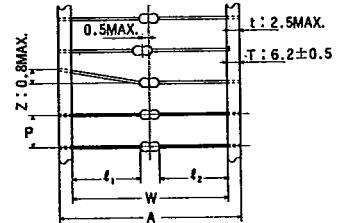
### ■PACKAGING

(1) AMMO PACK (SYMBOL : A)

(2) REEL (SYMBOL : R)



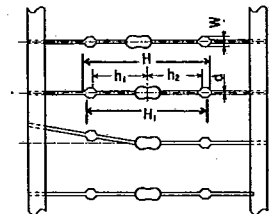
### ■T-TYPE



TYPE	DIMENSIONS(mm)			
	W	P	A	t1-t2
T26	26 <sup>+0.2</sup>	5.00±0.3	39±1.0	0.2max.
	26 <sup>+0.2</sup>	5.00±0.3	39±1.0	1.0max.
T52	52±1	5.08±0.38	65±0.5	1.0max.
T521	52±1	10.16±0.8	66±0.5	1.0max.
T631	63±1	10.16±0.8	—	1.0max.

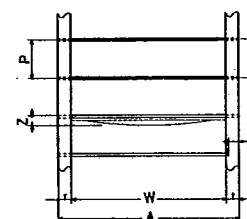
NOTE: ACCUMULATED PITCH  
PITCH 5.00mm.....250.0±2 mm/50 PITCH  
PITCH 5.08mm.....101.6±3 mm/20 PITCH  
PITCH 10.16mm.....203.2±3 mm/20 PITCH  
|t1-t2|=0.2MAX.: SN 2E TYPE ONLY

### ■LT-TYPE



TYPE	DIMENSIONS (mm)			
	H±t	w	d	h1, h2
RSF 1/2 BT52 L25.5	25.5	1.20~	0.8	h1:h2
(RSFX) 1 BT521L36.5	36.5	1.45	0.8	≐1
2 BT631L42.5	42.5		0.8	
RSS 1 T52 L25.5	25.5	1.20~	0.8	h1:h2
(RSSX) 2 T521L36	36.0	1.45	0.8	≐1
3 T631L42.5	42.5		0.8	
SPR 1/2 T52 L26	26.0		0.65	
(SPRX) 1 T52 L25.5	25.5	1.20~	0.8	h1:h2
2 T521L36	36.0	1.45	0.8	≐1
3 T631L42.5	42.5		0.8	
RDF 25S LT52	H124.5	1.20 <sup>+0.1</sup>	0.65	h1-h2
50S LT52	H127.5		0.65	≐1

### ■JLT-TYPE

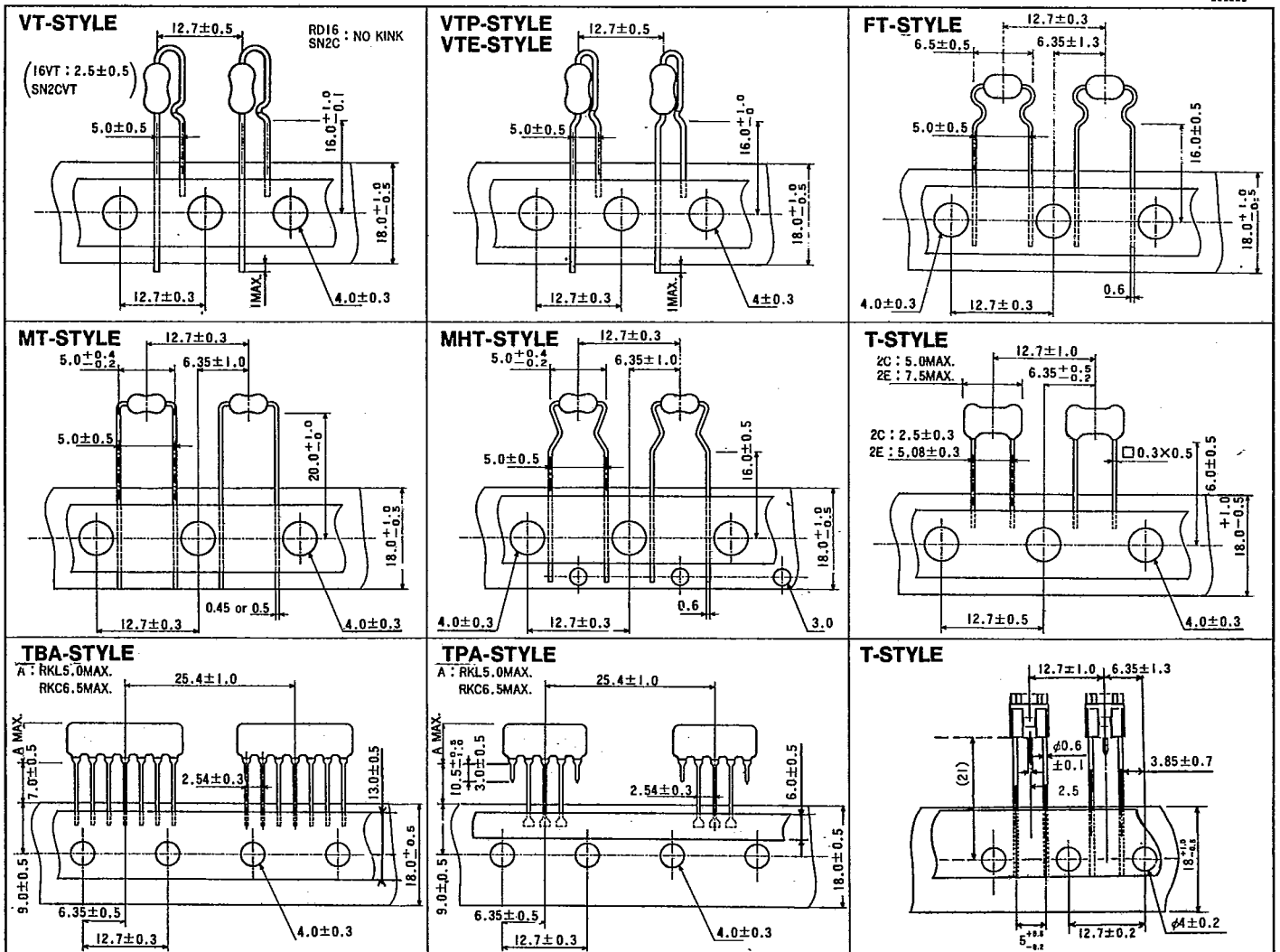


REMARK) SEE T-TYPE DIMENSIONS

**■ RADIAL TAPE (AMMO PACK)**

TYPE	DIMENSIONS (mm)			RADIAL TAPE								WEIGHT g/1000pcs	PAGE		
	L	D/H	d/W	VT	VTP	VTE	MT	MHT	FT	T	TBA			TPA	
SN	2C	3.2	1.7	0.45	3000			3000						130	22
	2E	6.5	2.3	0.6	2500	2000	2000							320	
RN26	2C	5.0	2.54	□0.3							2000			260	24
	2E	7.25	2.54	×0.5						2000				370	
RNS	1/8	6.5	2.3	0.6	2500	2000	2000							330	26
RD	16S	3.2	1.7	0.45	3000			3000	3000					240	19
	25S	6.5	2.3	0.6	2000	2000	2000						360		
	50SS	6.3	2.85	0.6		2000							400		
J	1/4Z	6.5	2.3	0.6	2000	2000							360	20	
RDF	16S	3.2	1.7	0.45				3000	3000					240	21
	25S	6.5	2.3	0.6	2000	2000							360		
	50SS	6.3	2.85	0.6		2000							400		
LF	5.0S	3.4	2.3	0.45				3000						230	50, 51
	7.5	4.5	3.8	0.6						2000			300		
RKL	2.54×P	5.0	2.5								1000	1000	950	59	
RKC	2.54×P+0.6	6.5	2.5								1000	1000	950	60	
637		7.4	7.6	6.5									630	46, 47	

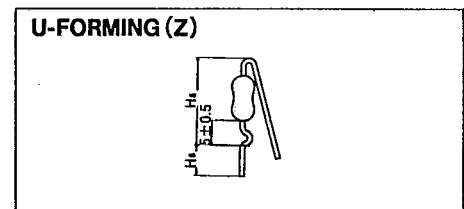
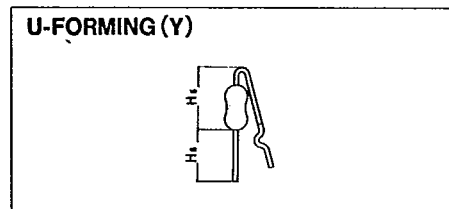
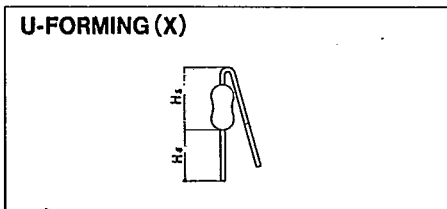
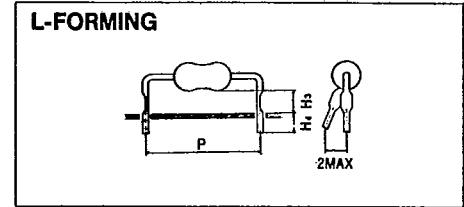
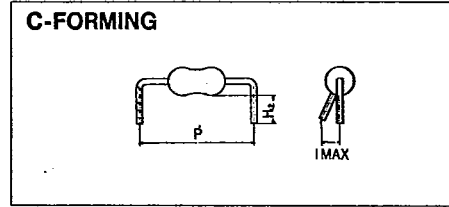
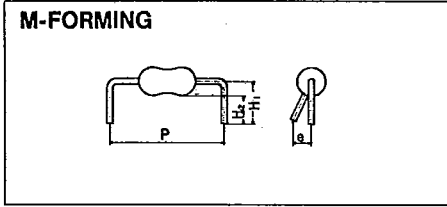
**■ DIMENSIONS AND FIGURES**



二次加工品

二次加工品

# PACKAGING FOR DISCRETE COMPONENTS(FORMING)



FORMING

TYPE	DIMENSIONS (mm)			WEIGHT g/100PCS.	M.C.L-FORMING										U FORMING	PAGE				
	L	D/W*	d/H*		PITCH (mm)															
					5	7.5	10	12.5	15	17.5	20	25	27.5	30			35			
SN (SNF)	2C	3.2	1.7	0.45	14	M												U-X	22, 23	
	2E	6.5	2.3	0.6	24			M	M									U-Y		
	2H	9.5	3.5	0.6	41					M										
RK14B	2E	6.5	2.3	0.6	21			M	M									U-Y	25	
	2H	9.5	3.5	0.6	37					M										
CW	1/4	3.3	1.9	0.45	12	L													41	
	1/2	6.5	2.5	0.6	24			L												
	1	9.5	3.5	0.8	56				L											
	2	13.0	4.0	0.8	84					L										
	3	15.0	6.0	0.8	160						L									
RSF (RSFX)	1/2B	9.0	3.5	0.7	49											L			30, 31	
	1/2B	9.0	3.5	0.8	52				L											
	1B	11.5	4.0	0.8	69					C,L										
	2B	15.5	6.0	0.8	142						C,L		C,L							
	3B	24.5	9.0	0.8	229							L			L					
RSS (RSSX)	1/2	6.5	2.5	0.6	23			C,L											32, 33	
	1	9.0	3.0	0.8	31				C,L											
	2	12.0	4.0	0.8	71					C,L										
	3	15.5	6.0	0.8	146						C,L									
	5	24.5	9.0	0.8	524							C,L		L		L				
SPR (SPRX)	1/2	6.5	2.5	0.6	23			C,L											34, 35	
	1	9.0	3.5	0.8	54				C,L											
	2	12.0	4.2	0.8	93					C,L	C									
	3	15.5	6.0	0.8	141							C,L		L						
	5	24.5	9.0	0.8	456								L			L				
RD	16S	3.2	1.7	0.45	12	M	M											U-X	19	
	25S	6.5	2.3	0.6	23			M	M	M								U-Y		
	50S	9.5	3.5	0.7	44				M	M	M									
	50SS	6.3	2.85	0.6	26				M									U-Y		
J	1/2Z	3.4	1.7	0.5	12		M												20	
	1/2Z	6.5	2.3	0.6	19			M												
RDF	16S	3.2	1.7	0.45	12	M,L													21	
	25S	6.5	2.3	0.6	23			M,L												
	50S	9.5	3.5	0.7	44				L	M										
RF	16S	3.2	1.7	0.45	12	M													44	
	25S	6.5	2.3	0.6	23			M,L												
	50S	8.5	3.0	0.6	29				M,L		L									
	1S	9.5	3.5	0.8	54					M,L					L					
	2S	15.5	6.0	0.8	141								L		L					
BMF	1	13.0	5.5*	5.5*	180														42	
	2	18.0	6.3*	6.3*	200											L				
	3	22.0	8.0*	8.0*	370															
	5	22.0	9.5*	9.5*	520												L			
CWG	1	11.0	4.0	0.8	70							L							42	
	2	14.0	4.5	0.8	140								L							
LF	5.0S	3.4	2.3	0.45	11	M												U-X	50, 51	
	7.5	4.5	3.8	0.6	26		M	M												

REMARK : WEIGHT IS FOR BULK.

■ M-FORMING

TYPE	DIMENSIONS (mm)		
	H <sub>1</sub>	H <sub>2</sub>	e MAX.
SN 2C M5-5	—	5.0 <sup>+1.0</sup> <sub>-0.5</sub>	1.5
(SNF) 2C M5-10	10.0±1.0	—	1.5
2E M10-5	—	5.0 <sup>+1.0</sup> <sub>-0.5</sub>	1.7
2E M12.5-10	10.0±1.0	—	1.7
2H M15-10	10.0±1.0	—	2.0
RK14B2E M10-5	—	5.0 <sup>+1.0</sup> <sub>-0.5</sub>	1.7
2E M12.5-10	10.0±1.0	—	1.7
2H M15-10	10.0±1.0	—	2.0
RD 16S M5-5	5.9 <sup>+1.0</sup> <sub>-0.5</sub>	5.0 <sup>+1.0</sup> <sub>-0.5</sub>	1.5
16S M5-15	15.8 <sup>+5.0</sup> <sub>-0</sub>	15.0 <sup>+5.0</sup> <sub>-0</sub>	3.0
16S M7.5-5	5.9 <sup>+1.0</sup> <sub>-0.5</sub>	5.0 <sup>+1.0</sup> <sub>-0.5</sub>	1.5
25S M10-6	6.0±1.0	4.8±1.0	1.7
25S M12.5-6	6.0±1.0	4.8±1.0	1.7
25S M15-6	6.0±1.0	4.8±1.0	1.7
50S M12.5-7	7.0±1.0	5.0±1.0	1.7
50S M15-7	7.0±1.0	5.0±1.0	2.0
50S M17.5-7	7.0±1.0	5.0±1.0	2.0
50SS M10-6	6.0±1.0	4.8±1.0	1.7
J 1/6Z M7.5-6	—	5.0±1.0	1.5
1/4Z M10-6	—	5.0±1.0	1.5
RDF 16S M5-5	5.9 <sup>+1.0</sup> <sub>-0.5</sub>	5.0 <sup>+1.0</sup> <sub>-0.5</sub>	1.5
25S M10-16	16.0±2.0	14.8±2.0	2.5
50S M15-7	7.0±1.0	5.0±1.0	2.0
RF 16S M5-5	—	5.0±1.0	2.0
25S M10-16	16.0±1.0	14.8±1.0	1.5
50S M12.5-4.5	—	4.5±1.0	1.5
1S M15-9	—	5.0±1.0	1.5
LF 5.0S M5-5	6.1±1.0	5.0±1.0	1.7
5.0S M5-10	11.1±1.0	10.0±1.0	1.7
7.5 M7.5-7	6.7±1.0	5.0±1.0	1.7
7.5 M10-7	6.7±1.0	5.0±1.0	1.7

■ U-FORMING

TYPE	DIMENSIONS (mm)	
	H <sub>1</sub>	H <sub>2</sub>
SN 2C U	5.5MAX.	15.0±1.0
(SNF) 2E U	9.5MAX.	30.0±3.0
RK14B 2E U	9.5MAX.	30.0±3.0
RSF 1/2B U	19.5±3.0	31.0±1.5
(RSFX) 1B U	19.0±3.0	31.0±1.5
2B U	25.0±3.0	30.0±1.5
RSS 1 U	19.5±3.0	31.5±1.5
(RSSX) 2 U	22.5±3.0	31.0±1.5
3 U	25.0±3.0	30.0±1.5
SPR 1 U	19.5±3.0	31.5±1.5
(SPRX) 2 U	22.5±3.0	31.0±1.5
3 U	25.0±3.0	30.0±1.5
RD 16 U	5.5MAX.	15.0±1.0
25 U	10.0MAX.	30.0±3.0
50 US	9.5MAX.	30.0±3.0
LF 5.0S U	6.5MAX.	15.0±1.0

■ L-FORMING

TYPE	DIM. (mm)	
	H <sub>1</sub> ±1	H <sub>2</sub> ±1
SPR 1/2 L10	5.3	4.5
(SPRX) 1 L12.5	6.5	4.5
1 L15	5.3	4.5
2 L15	7.0	4.5
2 L20	8.0	4.5
3 L20	8.0	4.5
3 L25	7.0	4.5
5 L30	8.5	4.5
5 L35	5.5	4.5
RDF 16S L5	4.5	4.5
25S L10	6.5	4.5
50S L12.5	6.5	4.5
RF 25S L10	5.3	5.0
50S L12.5	7.0	5.2
50S L15	6.0	5.3
1S L12.5	6.5	4.8
1S L15	5.3	4.5
1S L20	5.3	4.5
2S L20	8.0	5.0
2S L25	7.0	4.5
BMF 1 L20	6.0	4.0
2 L25	5.8	4.0
3 L27.5	10.0	4.0
5 L27.5	10.0	4.0
CWG 1 L15	7.0	4.5
2 L20	8.0	4.5

■ L-FORMING

TYPE	DIM. (mm)	
	H <sub>1</sub> ±1	H <sub>2</sub> ±1
CW 1/4 L5	4.5	2.5
1/2 L10	5.3	4.5
1 L12.5	6.5	4.5
2 L15	7.0	4.5
3 L20	8.0	4.5
5 L30	8.5	4.5
RSF 1/2B L12.5	6.5	4.5
(RSFX) 1/2B L15	5.3	4.5
1B L15	7.0	5.0
1B L20	4.8	4.5
2B L20	8.0	4.5
2B L25	7.0	4.5
3B L30	8.5	4.5
3B L35	5.5	4.5
RSS 1/2 L10	5.3	4.5
(SPRX) 1 L12.5	7.0	5.0
1 L15	6.5	4.0
2 L15	8.0	5.0
2 L20	9.0	4.5
3 L20	8.0	4.5
3 L25	7.0	4.5
5 L30	8.5	4.5
5 L35	5.5	4.5

■ C-FORMING

TYPE	DIM. (mm)
	H <sub>1</sub> ±1
RSF 1/2B C15	5.0
(RSFX) 1B C15	11.5
1B C20	3.5
2B C25	3.5
RSS 1/2 C10	5.0
(RSSX) 1 C12.5	4.0
1 C15	5.0
2 C20	13.5
3 C20	12.5
SPR 1/2 C10	5.0
(SPRX) 1 C12.5	4.0
1 C15	5.0
1 C17.5	5.0
2 C20	12.5

PACKAGING FOR STICK (MAGAZINE) CASE

■ STICK (MAGAZINE) CASE

TYPE	RESISTOR NETWORKS			PLATE RESISTORS	TRIMMER			
	HM16 HN16	RKL RKC	RKL RKC	BPR3	SF6 637A,B,B2,C 687A		SF807K	SF817K
MAGAZINE SYMBOL	ST	STP	STB	M	S(M1)	S(M2)	S	S
SECTIONAL VIEW								
WXHXL (mm)	11.5×4.0×580	5.0× <sup>11.0</sup> <sub>12.5</sub> ×508	3.8×13.4×580	6.0×36.5×580	9.4×14.0×506	9.4×14.2×506	15.5×13.5×506	15.5×18.0×506
QTY (PCS.)	50	13~46	15~54	40	75	75	50	70
WEIGHT (g)	27	30	30	150	45	45	50	70
PAGE	13	59, 60	60	41	46	46	48	48

二次加工品