

■Error Amplifier ICs (SE Series)

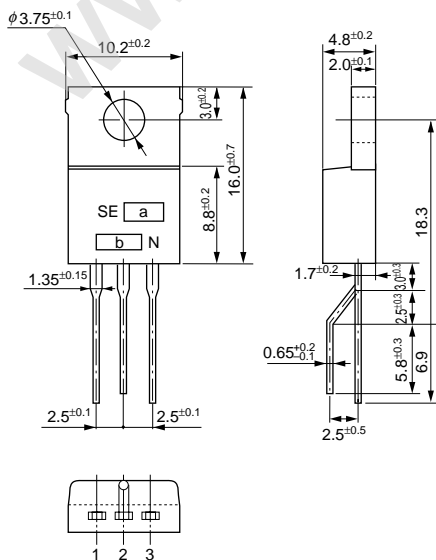
Part No.	Absolute Maximum Ratings (Ta=25°C)			Electrical Characteristics (Ta=25°C)	Remarks
	Collector-Ground Voltage V _{CC0} (V)	Collector Current I _c (mA)	Operating Temperature T _{OP} (°C)	Output Detection Voltage V _s (V)	
SE005N	12	20	-20 to +125 (T _c)	5.0±0.1	Low V _s
012N				12.0±0.2	
015N				15.0±0.2	
024N				24.0±0.2	
034N				34.0±0.3	
040N				40.0±0.4	
070N	50	20	-20 to +125 (T _c)	70.2±0.8	High V _s
080N				80.2±0.8	
090N				90.0±0.8	
105N				105.2±0.8	
110N				110.2±0.8	
115N				115.2±0.8	
120N				120.2±0.8	
125N				125.2±0.8	
130N				130.2±0.8	
135N				135.2±0.8	
140N	150	20	-20 to +125 (T _c)	141.2±0.8	

■Variable Voltage Detection Type Error Amplifier ICs

Part No.	Absolute Maximum Ratings (Ta=25°C)			Electrical Characteristics (Ta=25°C)	Remarks
	Collector-Ground Voltage V _{CC0} (V)	Collector Current I _c (mA)	Operating Temperature T _{OP} (°C)	Output Detection Voltage V _s (V)	
SE-B3	150	20	-20 to +125 (T _c)	141.2±0.6 Condition (I _{IN} =4mA, R _C =9.1kΩ R _S =88.7kΩ)	Variable voltage detection Gain adjustment possible

■External Dimensions

(unit: mm)



a. Part Number
b. Lot Number

Forming No.12