

φ 4.8 mm Series

Conventional Part No.	Global Part No.	Lighting Color
LN264CP	LNG264CDR	Red
LN364GCP	LNG364MDG	Green
LN464YCP	LNG464NDX	Amber
LN864RCP	LNG864LDD	Orange

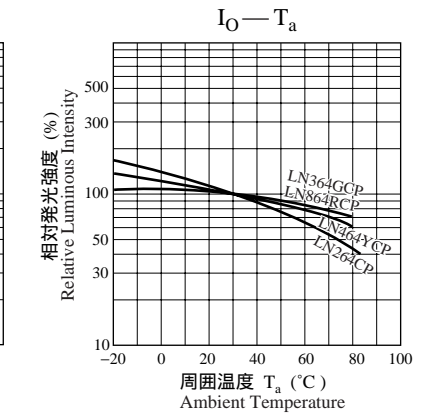
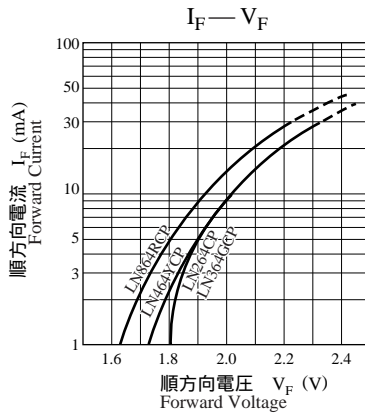
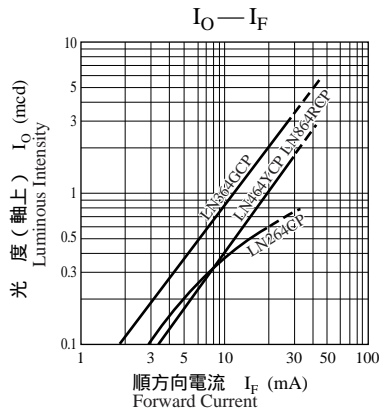
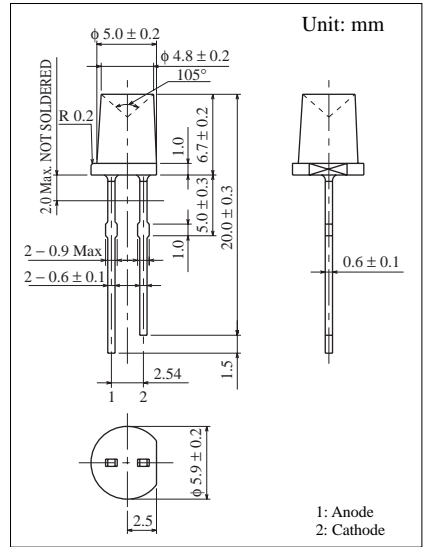
■ 絶対最大定格 Absolute Maximum Ratings (T<sub>a</sub> = 25°C)

Lighting Color	P <sub>D</sub> (mW)	I <sub>F</sub> (mA)	I <sub>FP</sub> (mA)*	V <sub>R</sub> (V)	T <sub>opr</sub> (°C)	T <sub>stg</sub> (°C)
Red	70	25	150	4	-25 ~ +85	-30 ~ +100
Green	90	30	150	4	-25 ~ +85	-30 ~ +100
Amber	90	30	150	4	-25 ~ +85	-30 ~ +100
Orange	90	30	150	3	-25 ~ +85	-30 ~ +100

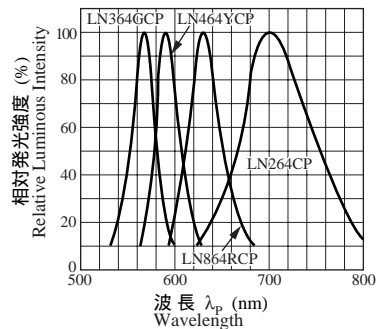
I<sub>FP</sub>の条件は、duty 10%、Pulse width 1 msec. The condition of I<sub>FP</sub> is duty 10%, Pulse width 1 msec

■ 電気的光学的特性 Electro-Optical Characteristics (T<sub>a</sub> = 25°C)

Conventional Part No.	Lighting Color	Lens Color	I <sub>O</sub>		I <sub>F</sub>	V <sub>F</sub>		λ <sub>P</sub>	Δλ	I <sub>F</sub>	I <sub>R</sub>	
			Typ	Min		Typ	Max	Typ	Typ		I <sub>F</sub>	Max
LN264CP	Red	Clear	0.5	0.2	15	2.2	2.8	700	100	20	5	4
LN364GCP	Green	Green Clear	2.0	0.7	20	2.2	2.8	565	30	20	10	4
LN464YCP	Amber	Amber Clear	1.0	0.4	20	2.2	2.8	590	30	20	10	4
LN864RCP	Orange	Red Clear	1.0	0.4	20	2.1	2.8	630	40	20	10	3
Unit	—	—	mcd	mcd	mA	V	V	nm	nm	mA	μA	V



相对発光強度 — 波長特性  
Relative Luminous Intensity  
Wavelength Characteristics



指向特性  
Directive Characteristics

