

### FEATURES

- Single chip low power UHF transmitter
- 369.5 MHz to 395.9 MHz frequency operation using Fractional-N PLL and fully integrated VCO
- 3.0 V supply voltage
- Data rates supported < 2.5 kbps
- Low current consumption 26 mA at 12 dBm
- Output at 384 MHz
- Power-down mode (< 1  $\mu$ A)
- 24-Lead TSSOP package

### GENERAL DESCRIPTION

The ADF7901 is a low power OOK/FSK UHF transmitter designed for use in RF Remote Control Devices. The device

is capable of Frequency Shift Keying (FSK) modulation on 8 different channels, selectable by 3 external control lines. OOK modulation is performed by modulating the PA control line.

The on-chip VCO operates at  $2 \times$  the output frequency. The divide by 2 at the output of the VCO reduces the amount of PA feedthrough. As a result of this, OOK modulation depths of greater than 50 dB are easily achievable.

The FSK\_ADJ and ASK\_ADJ resistors can be adjusted in the system to optimize output power, for each modulation scheme. An additional 1.5 dB of output power is provided for the lower bank of channels to adjust for antenna performance. The CE line allows the transmitter to be powered down completely. In this mode, the leakage current is typically 0.1  $\mu$ A.

### FUNCTIONAL BLOCK DIAGRAM

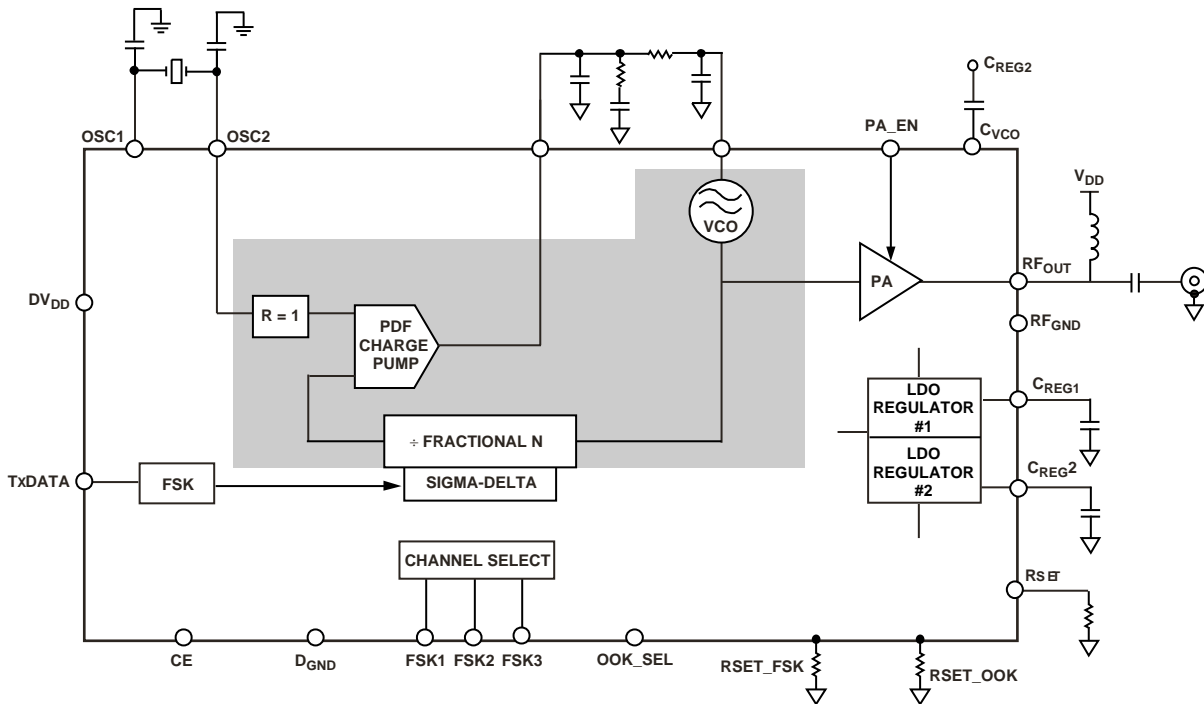


Figure 1.

### Rev. PrD

Information furnished by Analog Devices is believed to be accurate and reliable. However, no responsibility is assumed by Analog Devices for its use, nor for any infringements of patents or other rights of third parties that may result from its use. Specifications subject to change without notice. No license is granted by implication or otherwise under any patent or patent rights of Analog Devices. Trademarks and registered trademarks are the property of their respective owners.

**TABLE OF CONTENTS**

Specifications.....	3	Decoupling.....	10
Absolute Maximum Ratings.....	5	Regulator Stability.....	10
ESD Caution.....	5	Grounding.....	10
Pin Configuration and Function Descriptions.....	6	Supply .....	10
Typical Performance Characteristics .....	8	Digital Lines.....	10
Circuit Description.....	9	Outline Dimensions .....	11
Internal Register Settings .....	9	Ordering Guide .....	11
Loop Filter .....	9		
Layout Guidelines.....	10		

**REVISION HISTORY****1/05—Revision PrD**

## SPECIFICATIONS

$V_{DD} = 3.0\text{ V}$ ;  $GND = 0\text{ V}$ ;  $T_A = T_{MIN}$  to  $T_{MAX}$  unless otherwise noted. Typical specifications  $T_A = 25^\circ\text{C}$ .

Table 1.

Parameter <sup>1</sup>	Min	Typ	Max	Unit
<b>RF CHARACTERISTICS</b>				
Output Frequency Ranges				
Channel 1		369.5		MHz
Channel 2		371.1		MHz
Channel 3		375.3		MHz
Channel 4		376.9		MHz
Channel 5		384.0		MHz
Channel 6		388.3		MHz
Channel 7		391.5		MHz
Channel 8		394.3		MHz
Channel 9		395.9		MHz
Phase Frequency Detector Frequency		9.8304		MHz
<b>TRANSMISSION PARAMETERS</b>				
Transmit Rate				
FSK		2		kbps
OOK		2.5		kbps
Frequency Shift Keying				
FSK Separation <sup>2</sup>		-34.8		kHz, Data = 1
		+34.8		kHz, Data = 0
On/Off Keying				
Modulation Depth <sup>3</sup>		83		dB, Output Power = 12 dBm
Output Power				
Min/Max Range <sup>4</sup>		15		dB
$f_{OUT} \leq 384\text{ MHz}$	10	12		dBm
$f_{OUT} > 384\text{ MHz}$	7	10.5		dBm
Occupied 20 dB BW				
OOK at 1 kbits/s		$\pm 28$	$\pm 461.9$	kHz
FSK (PA Off/On) at 10 Hz <sup>5</sup>		$\pm 26$	$\pm 461.9$	kHz
<b>LOGIC INPUTS</b>				
$V_{INH}$ , Input High Voltage	2.124			V
$V_{INL}$ , Input Low Voltage			$0.2 \times V_{DD}$	V
$I_{INH}/I_{INL}$ , Input Current			$\pm 1$	$\mu\text{A}$
$C_{IN}$ , Input Capacitance			10	pF
<b>POWER SUPPLIES</b>				
Voltage Supply				
$DV_{DD}$		3.0		V
Transmit Current Consumption				
369.5–376.9 MHz at +12 dBm		26		mA
384 MHz at +12 dBm		26		mA
388.3–395.9 MHz at +10.5 dBm		21		mA
384 MHz at +5 dBm		17		mA
Power-Down Mode				
Low Power Sleep Mode <sup>6</sup>		0.2	1	$\mu\text{A}$

Parameter <sup>1</sup>	Min	Typ	Max	Unit
PHASE-LOCKED LOOP				
VCO Gain		30		MHz/V at 384 MHz
Spurious <sup>7</sup> :				100 kHz loop BW
Integer Boundary		-45	-23	dBc
Reference		-70	-23	dBc
Harmonics				
Second Harmonic $V_{DD} = 3.0\text{ V}$		-24	-21	dBc
Third Harmonic $V_{DD} = 3.0\text{ V}$		-14	-11	dBc
All Other Harmonics			-18	dBc
REFERENCE INPUT				
Crystal Reference		9.8304		MHz
POWER AMPLIFIER				
PA Output Impedance		97 $\Omega$ + 6.4 pF		At 384 MHz
TIMING INFORMATION				
Crystal Oscillator to PLL Lock		2	3	ms
PA Enable to PA ready-PLL Settle <sup>8</sup>		100	250	$\mu$ s
TEMPERATURE RANGE – $T_A$	0		50	$^{\circ}$ C

<sup>1</sup> Operating temperature range is as follows: 0 $^{\circ}$ C to +50 $^{\circ}$ C.

<sup>2</sup> Frequency Deviation =  $34 \times (9.8304\text{ MHz})/2^{14}$ . Error in the crystal will be reflected in variation in the desired deviation.

<sup>3</sup> Not production tested. Based on characterization.

<sup>4</sup> The output power can be varied in both ASK/FSK mode by altering the relevant external resistor.

<sup>5</sup> Measured using Spectrum Analyzer, 1 MHz span, 100 kHz RBW, MAX HOLD enabled.

<sup>6</sup> Maximum power-down current spec applies for the OSC2 pin grounded.

<sup>7</sup> Measured > 461.9 kHz away from channel.

<sup>8</sup> This spec refers to the time taken for the PLL to regain lock after the PA has been enabled. The PA is should only be enabled after the PLL has settled to the correct frequency.

## ABSOLUTE MAXIMUM RATINGS

$T_A = 25^\circ\text{C}$ , unless otherwise noted.

**Table 2.**

Parameter <sup>1</sup>	Value
VDD to GND <sup>2</sup>	-0.3 V to +4.0 V
RFVDD to GND	-0.3 V to +4.0 V
Digital I/O Voltage to GND	-0.3 V to VDD + 0.3 V
Operating Temperature Range	
Industrial (B Version)	0°C to +50°C
Storage Temperature Range	-65°C to +125°C
Maximum Junction Temperature	125°C
TSSOP $\theta_{JA}$ Thermal Impedance	150.4°C/W
Lead Temperature, Soldering	
Vapor Phase (60 sec)	235°C
Infrared (15 sec)	240°C

<sup>1</sup> This device is a high performance RF integrated circuit with an ESD rating of <1 kV and it is ESD sensitive. Proper precautions should be taken for handling and assembly.

<sup>2</sup> GND = RFGND = DGND = 0 V.

Stresses above those listed under Absolute Maximum Ratings may cause permanent damage to the device. This is a stress rating only; functional operation of the device at these or any other conditions above those listed in the operational sections of this specification is not implied. Exposure to absolute maximum rating conditions for extended periods may affect device reliability.

### ESD CAUTION

ESD (electrostatic discharge) sensitive device. Electrostatic charges as high as 4000 V readily accumulate on the human body and test equipment and can discharge without detection. Although this product features proprietary ESD protection circuitry, permanent damage may occur on devices subjected to high energy electrostatic discharges. Therefore, proper ESD precautions are recommended to avoid performance degradation or loss of functionality.



## PIN CONFIGURATION AND FUNCTION DESCRIPTIONS

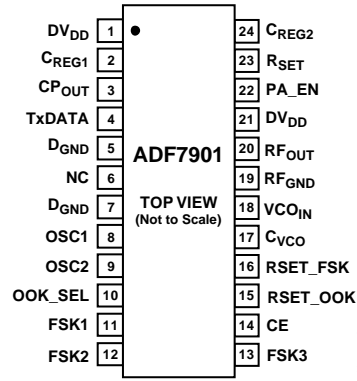


Figure 2. Pin Configuration

Table 3. Pin Function Descriptions

Pin No.	Mnemonic	Function
1	DV <sub>DD</sub>	Positive Supply for the Digital Circuitry. This must be 3.0 V. Decoupling capacitors to the analog ground plane should be placed as close as possible to this pin.
2	C <sub>REG1</sub>	A 2.2 μF capacitor should be added at C <sub>REG</sub> to reduce regulator noise and improve stability. A reduced capacitor will improve regulator power-on time but may cause higher spurious.
3	CP <sub>OUT</sub>	Charge Pump Output. This output generates current pulses that are integrated in the loop filter. The integrated current changes the control voltage on the input to the VCO.
4	TxDATA	Digital FSK data to be transmitted is inputted on this pin.
5	D <sub>GND</sub>	Ground for Digital Section.
6	NC	No Connect.
7	D <sub>GND</sub>	Ground for Digital Section.
8	OSC1	The reference crystal should be connected between this pin and OSC2. The necessary crystal load capacitor should be tied between this pin and ground.
9	OSC2	The reference crystal should be connected between this pin and OSC1. The necessary crystal load capacitor should be tied between this pin and ground.
10	OOK_SEL	A high on this pin selects operation in OOK mode at 384 MHz when CE is high.
11	FSK1	FSK Channel Select Pin. This represents the LSB of the channels select pins
12	FSK2	FSK Channel Select Pin.
13	FSK3	FSK Channel Select Pin.
14	CE	Bringing CE low puts the ADF7901 into power-down drawing < 1 μA of current.
15	RSET_OOK	The value of this resistor sets the output power for data = 1 in OOK mode. A resistor of 3.6 kΩ will provide the maximum output power. Increasing the resistor will reduce the power and the current consumption. A lower resistor value than 3.6 kΩ can be used to increase the power to a maximum of +14 dBm. The PA will not be operating efficiently in this mode.
16	RSET_FSK	The value of this resistor sets the output power in FSK mode. A resistor of 3.6 kΩ will provide max output power. Increasing the resistor will reduce the power and the current consumption. A lower resistor value than 3.6 kΩ can be used to increase the power to a maximum of +14 dBm. The PA will not be operating efficiently in this mode.
17	C <sub>VCO</sub>	A 220 nF capacitor should be tied between C <sub>VCO</sub> and C <sub>REG2</sub> pin. This line should run underneath the ADF7901. This capacitor is necessary to ensure stable VCO operation.
18	VCO <sub>IN</sub>	The tuning voltage on this pin determines the output frequency of the Voltage Controlled Oscillator (VCO). The higher the tuning voltage the higher the output frequency. The output of the loop filter is connected here.
19	RF <sub>GND</sub>	Ground for Output Stage of Transmitter.
20	RF <sub>OUT</sub>	The modulated signal is available at this pin. Output power levels are from -5 dBm to +12 dBm. The output should be impedance matched using suitable components to the desired load.
21	DV <sub>DD</sub>	Voltage Supply for VCO, and PA section. This should be supplied with 3.0 V. Decoupling capacitors to the ground

Pin No.	Mnemonic	Function
22	PA_EN	plane should be placed as close as possible to this pin. This pin is used to enable the Power Amplifier. This should be modulated with the OOK data in OOK mode. In FSK mode, it should be enabled when the PLL is locked.
23	R <sub>SET</sub>	External resistor to set charge pump current and some internal bias currents. Use 3.6 k $\Omega$ as default.
24	C <sub>REG2</sub>	A 2.2 $\mu$ F capacitor should be added at C <sub>REG</sub> to reduce regulator noise and improve stability. A reduced capacitor will improve regulator power-on time but may cause higher spurious.

TYPICAL PERFORMANCE CHARACTERISTICS

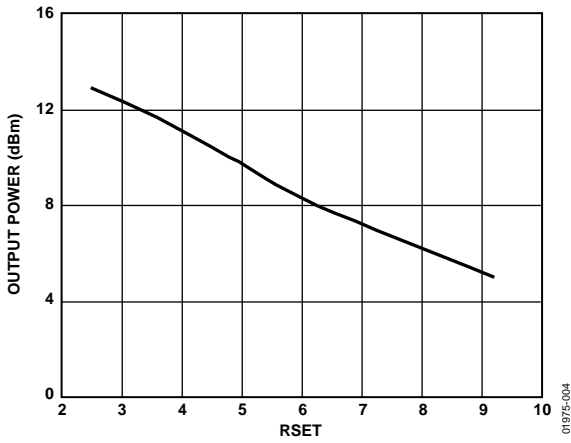


Figure 3. Output Power vs.  $R_{SET}$  FSK, Upper FSK Channels, Measured into 50  $\Omega$

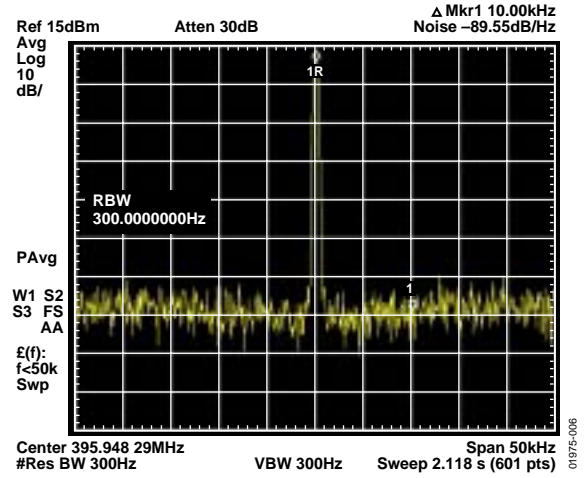


Figure 5. Phase Noise at Channel 9

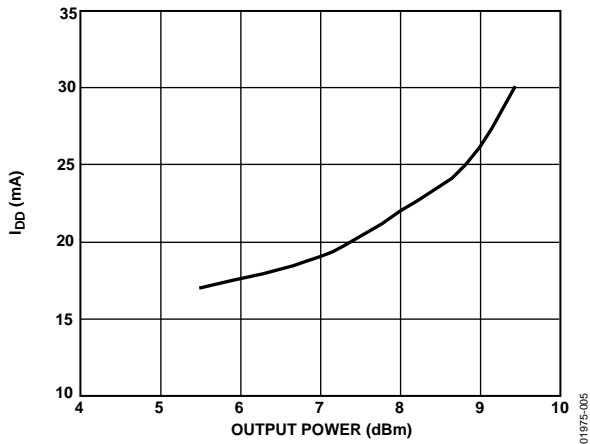


Figure 4. Current Consumption vs. Output Power, Upper FSK Channels, Measured into 50  $\Omega$

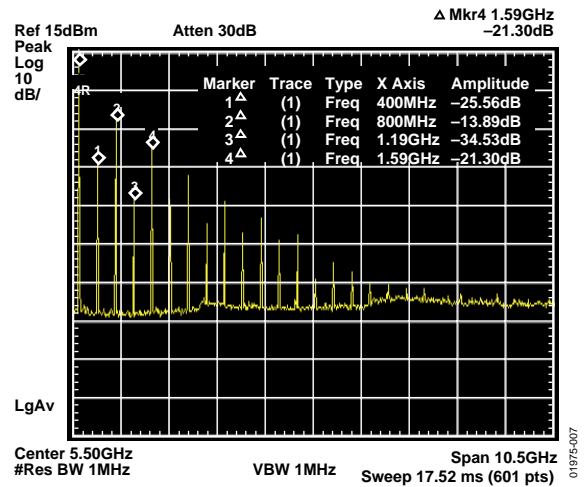


Figure 6. Harmonic Levels—Up to 4th Harmonic. Measured at Channel 9 in to 50  $\Omega$



## CIRCUIT DESCRIPTION

Table 4.

Frequency MHz	FSK3	FSK2	FSK1	OOK_SEL
369.5	0	0	0	0
371.1	0	0	1	0
375.3	0	1	0	0
376.9	0	1	0	0
384.0	X	X	X	1
388.3	1	0	0	0
391.5	1	0	1	0
394.3	1	1	0	0
395.9	1	1	1	0

### INTERNAL REGISTER SETTINGS

Based on PFD = 9.8304 MHz

#### REG0

Error Correction 0  
 R Value 1  
 XOE 1 (Enabled)  
 Clock Out 0 (Disabled)

#### REG1

Ch #1 Integer = 37, Frac = 2406  
 Ch #2 Integer = 37, Frac = 3073  
 Ch #3 Integer = 38, Frac = 727  
 Ch #4 Integer = 38, Frac = 1394  
 Ch #5(OOK) Integer = 39, Frac = 256  
 Ch #6 Integer = 39, Frac = 2048  
 Ch #7 Integer = 39, Frac = 3381  
 Ch #8 Integer = 40, Frac = 452  
 Ch #9 Integer = 40, Frac = 1118  
 VCO Band 1 (Divide-by-2)  
 LD Precision 1 (Don't care)

#### REG2

Mod Scheme 0 (FSK)  
 PA (External R)  
 Mod Deviation 58 (±35 kHz)  
 Prescaler 0 (4/5)

#### REG3

PLL Enable 1  
 PA Enable (PA\_EN Line)  
 CLKout EN 0 (Off)  
 Data Invert 0  
 Charge Pump 1 (3/7)  
 CP Bleed 0  
 MuxOut 0  
 VCOBias 3  
 PA Bias External R  
 VCO Band (Switched)

### LOOP FILTER

The loop filter integrates the current pulses from the charge pump to form a voltage that tunes the output of the VCO to the desired frequency. It also attenuates spurious levels generated by the PLL. The loop filter design recommended on this design is 300 kHz. This is based on the trade-off between attenuation of beat note spurious and the need to minimize chirp when the PA is turned on.

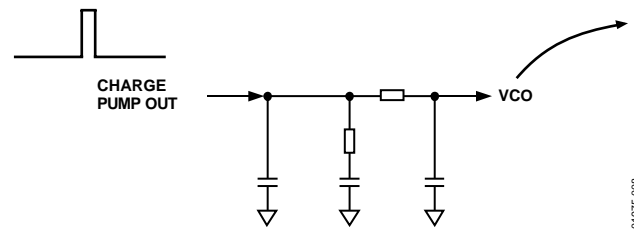


Figure 7.

C1 = 680 pF  
 C2 = 15 nF  
 C3 = 150 pF  
 R1 = 120 Ω  
 R2 = 3.3 kΩ

01975-008

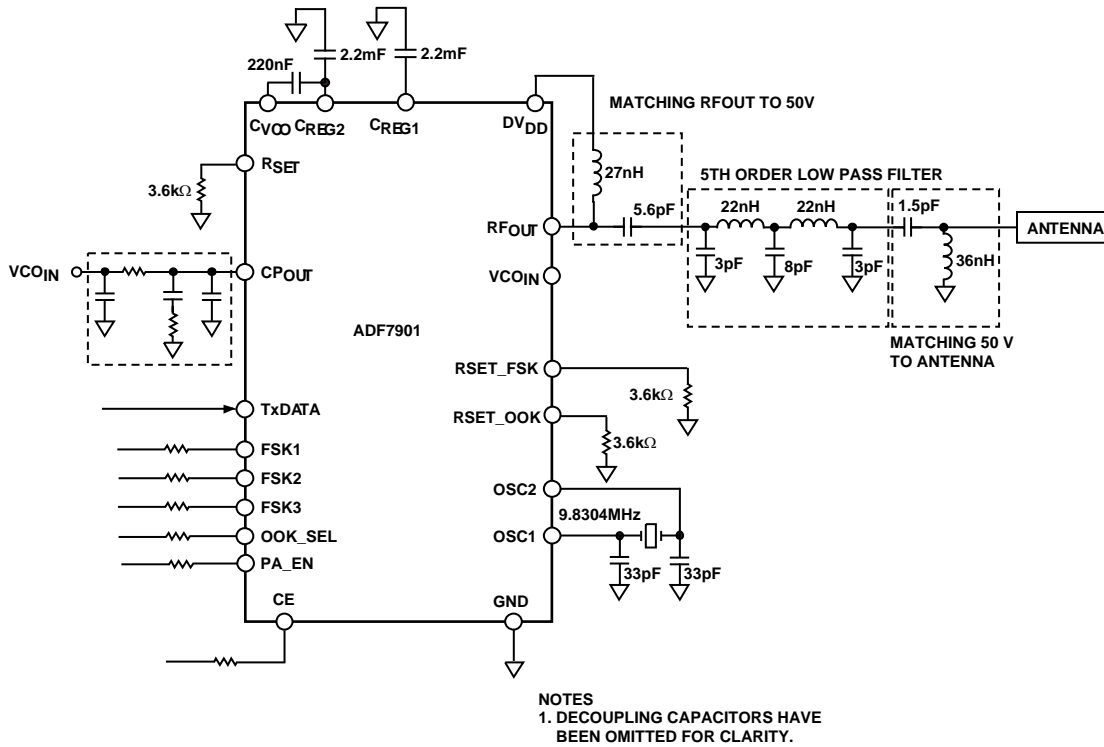


Figure 8. Applications Diagram for the ADF7901 in a Remote Control System

**LAYOUT GUIDELINES**

The layout of the board is crucial to ensuring low levels of spurious and harmonics.

**Decoupling**

Decoupling capacitors (high frequency 22 pF, low frequency 100 nF) should be placed as close as possible to the supply pins on the part. Low size 0402 and 0603 components are recommended for the high frequency rejection on the supply.

**Regulator Stability**

A minimum of 1  $\mu$ F is needed on both C<sub>REG1</sub> and C<sub>REG2</sub> to ensure stability. An additional 22 pF capacitor can be added to reject higher frequency noise. Since many of the internal block run off the regulator it is critical to reduce the noise on this. Low size 0402 and 0603 components are recommended for the high frequency rejection on the supply.

**Grounding**

Emphasis should be placed on the grounding once the decoupling capacitors have been added. The PA stage switches currents of 15 mA in max power mode. This will cause changes in the ground resulting in large return currents which can radiate to other parts of the board. The shortest and least obstructed ground from RFGND back to the ground of the battery should be ensured. A 4-layer board will help, as well as flooding of the top layer. The ground paths should not have any vias, and should be wide tracks.

**Supply**

The supply tracks can be routed through vias, as these act as free inductors on the board and make layout easier on a 2-layer board. See the Decoupling section. Tracks should be wide.

**Digital Lines**

Any digital lines should contain a large resistor in series. This impedance will block signals of many frequencies including harmonics and the carrier frequency. Long control lines can act as an antenna. It can be useful to add capacitance to ground. There will be some capacitance to ground provided by the lines, and at the input of the digital pins.

### OUTLINE DIMENSIONS

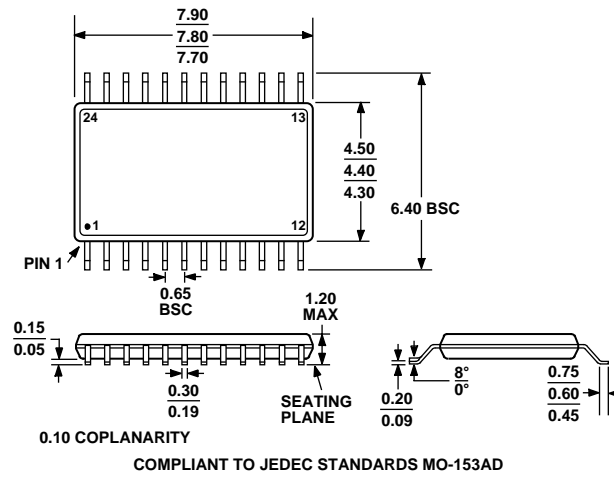


Figure 9. 24-Lead Thin Shrink Small Outline Package [TSSOP]  
(RU-24)  
Dimensions shown in millimeters

### ORDERING GUIDE

Model	Temperature Range	Package Description	Package Option
ADF7901BRU	0°C to +50°C	24-Lead Thin Shrink Small Outline Pacakage [TSSOP]	RU-24

**NOTES**