

QUAD ROW SMT SOCKET SOLC SERIES

Specifications:

SOLC HI-TEMP

Insulator Material:
Black Liquid Crystal Polymer

Contact Material:
Phosphor Bronze

Current Rating:
Testing Now!

Operating Temp Range:
-65°C to +125°C

Max Processing Temp:
230°C for 60 seconds

Plating:
Au over 50µ" (1,27µm) Ni

SMT Lead Coplanarity:
.004" (0,10mm) max

Contact Resistance:
10 mΩ max

Insertion Depth:
.075" (1,90mm) to
.125" (3,17mm)

Insertion Force:
Testing Now!

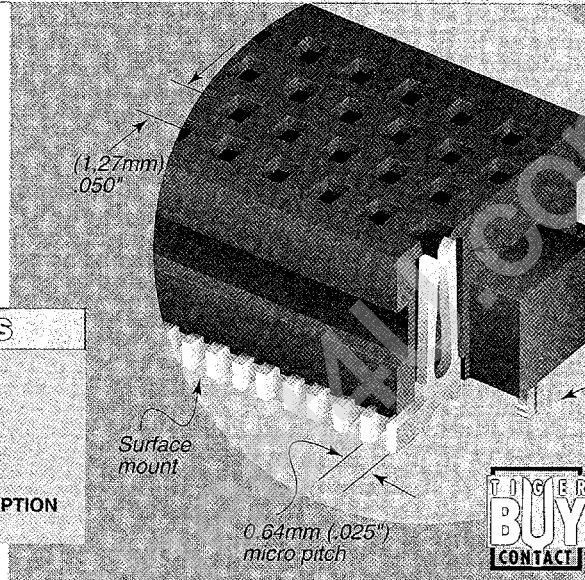
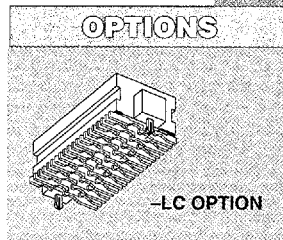
Normal Force:
Testing Now!

withdrawal Force:
Testing Now!

Max Cycles:
Testing Now!

Mates with:
TOLC

Note:
Some sizes, styles and options are non-standard, non-returnable.



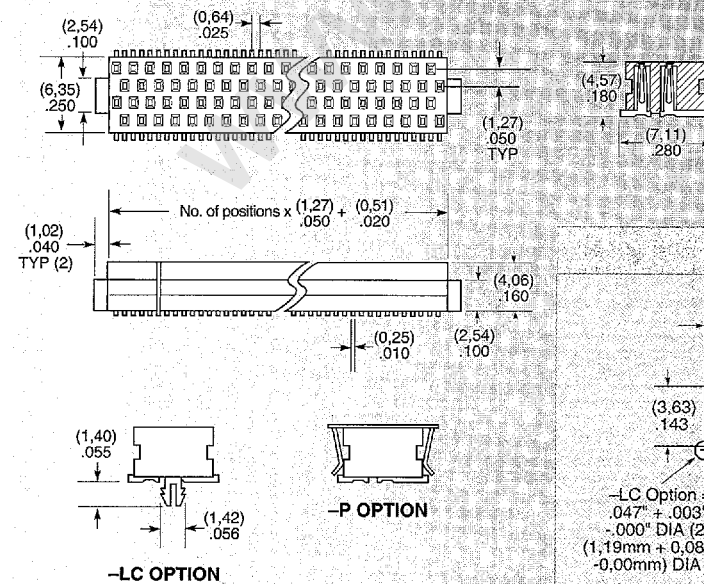
Unique stamped contact requires no secondary forming operations

Drop-in replacement for FOLC/MOLC when mated with TOLC

Optional Locking Clips



20, 25, 30, 35, 40, 45, 50
(Call Samtec for other sizes)



-S
= 30µ" (0.76µm)
Gold on post,
Gold flash on tail

-L
= 10µ" (0.25µm)
Gold on contact,
Gold flash on tail

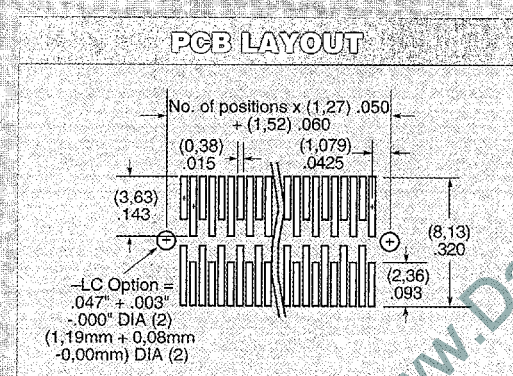
-F
= Gold flash
on contact,
Gold flash on tail

-LC
= Locking Clip

-P
= Pick & Place Pad

-TR
= Tape & Reel
(-LC & -A not available)

TAPE & REEL AVAILABILITY
No tooling charges.
125 piece minimum order.
Order any quantity above minimum.
In-house design, manufacture.
Quick turn-around.
Call Samtec for specifications and ordering information.



12F 7964149 0002061 65T