

# RF106 900 MHz Power Amplifier

## Product Description

The RF106 is a class AB RF power amplifier for 900 MHz ISM band applications. It delivers output power proportional to the input signal power.

The RF106 power amplifier, combined with Conexant's RF105 diSSTance™ (digital Spread Spectrum Technology) transceiver, forms a complete system solution for a direct conversion 900 MHz diSSTance radio which is fully compliant with FCC Part 15 regulations in the ISM band.

The RF106 is operational in the 900 MHz ISM band with supply voltage ranging from 2.7V to 5V. It is available in a small 20-pin TSSOP package, shown in Figure 1. Figure 2 shows a block diagram for the RF106.

## Features

- Class AB-type RF power amplifier
- 100 mW peak envelope output power
- Very fast settling from standby mode to active mode
- Efficient high output power operation
- Very few external components required
- 20-pin TSSOP package

## Applications

- diSSTance-technology cordless telephone
- Direct sequence spread spectrum systems
- Frequency hopping spread spectrum systems
- Wireless LANs
- Wireless modems
- Wireless security
- Inventory control systems

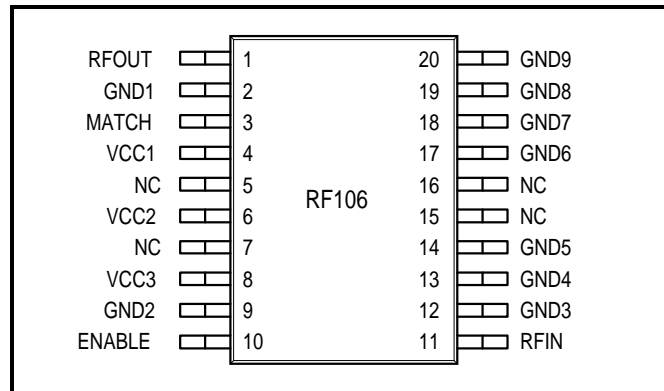


Figure 1. RF106 Pin Signals - 20 Pin TSSOP

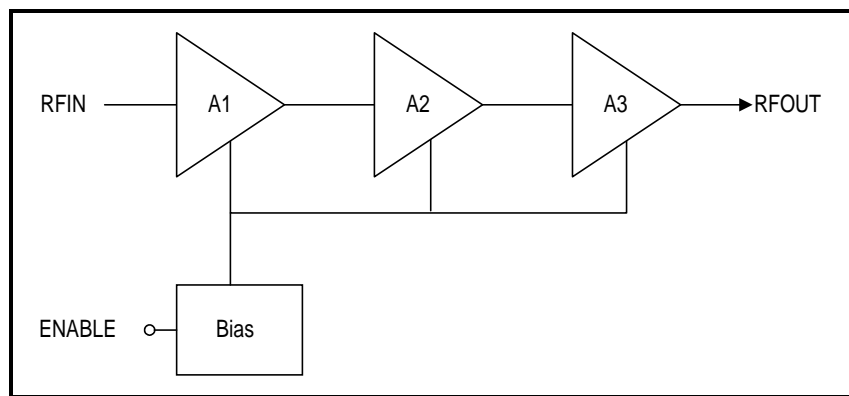


Figure 2. RF106 Block Diagram

## Technical Description

The RF106 is a three stage, class AB RF power amplifier for the 902-928 MHz ISM band. A class AB power amplifier allows a wide range of output powers without excessive idle power dissipation. Figure 3 shows a typical application circuit for the RF106.

## Recommendations on Layout and Implementation

### Matching

An input matching network and an output matching network are needed for maximum power transfer. For greatest efficiency, it is recommended that the input matching network be determined before the output matching network. Matching network values are layout-sensitive. If the RF106 is used with Conexant's RF105 transceiver, the input matching network is not required if the connecting traces are short.

### Bypassing

All Vcc pins should have proper bypassing. These decoupling capacitors should be placed very close to the pins, preferably right at the Vcc pins.

A bypassing capacitor of 33pF and a decoupling capacitor of 1nF for low frequency noise are recommended. Due to layout variations the value of the capacitor may vary.

### General Grounding Requirements

All ground pins should have minimum trace inductance to ground. If a ground plane cannot be provided right at the pins, the vias to ground plane should be placed as close to the pins as possible. There should be one via for each ground pin, unless otherwise specified. If the ground plane is at the bottom layer, two vias per pin in parallel may be required.

It is important to provide pins 13 and 14 with separate low-impedance connections to GND, isolated from other top-layer grounds.

NC pins are not used and should be connected to ac ground, Vcc or ground, as shown in Figure 3.

### ESD Sensitivity

The RF106 is a static-sensitive electronic device. Do not operate or store near strong electrostatic fields. Take proper Electrostatic Discharge (ESD) precautions.

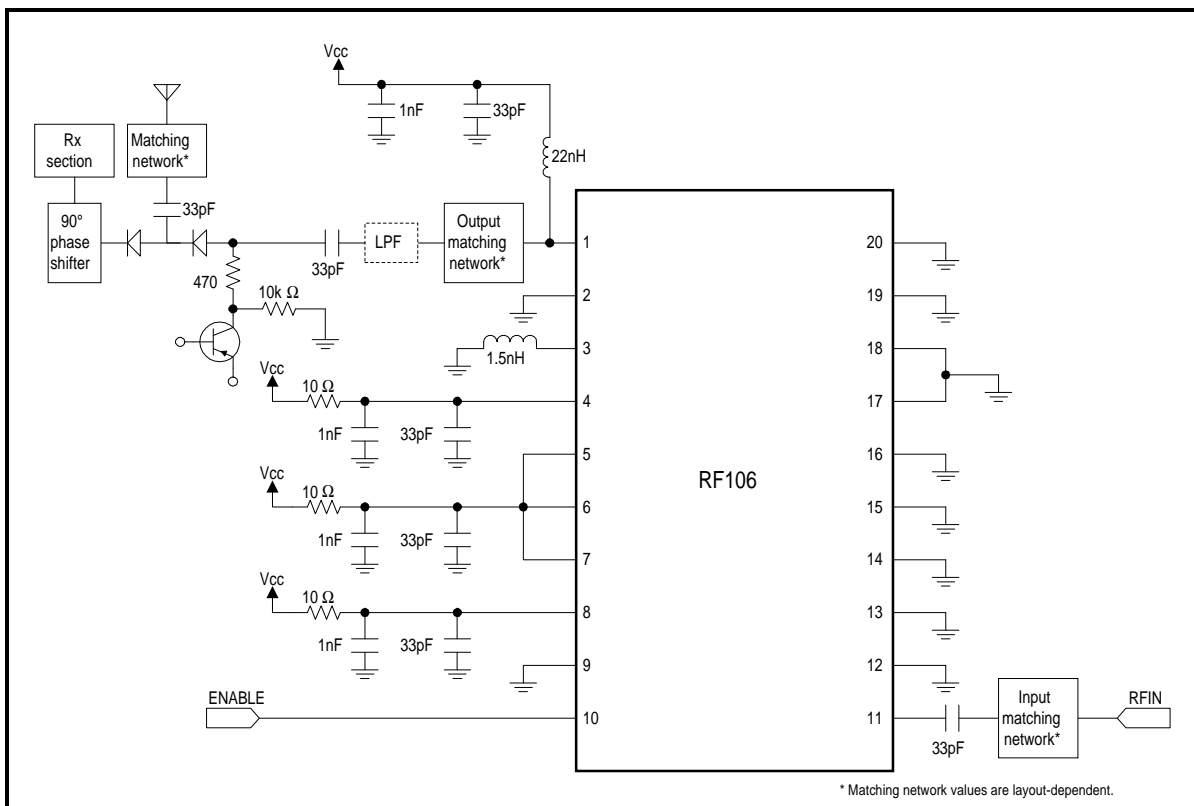


Figure 3. RF106 Typical Application Circuit

## Interface Description

Table 1 describes the pin signals for the RF106.

Table 1. Pin Signal Description

Pin No.	Name	Description
1	RFOUT	Power amplifier output Connect to power supply through an inductor; matching network required before connecting to antenna.
2	GND1	Ground
3	MATCH	Interstage matching Connect to ground through a 1.5 nH (typical) inductor.
4	VCC1	Power supply
5	NC	Not used Connect to ac ground, Vcc or ground (Figure 3).
6	VCC2	Power supply Internally connected to middle stage matching network.
7	NC	Not used Connect to ac ground, Vcc or ground (Figure 3).
8	VCC3	Power supply
9	GND2	Ground
10	ENABLE	Chip enable (active high)
11	RFIN	Power amplifier input
12	GND3	Ground
13	GND4	Ground
14	GND5	Ground
15	NC	Not used Connect to ac ground, Vcc or ground (Figure 3).
16	NC	Not used Connect to ac ground, Vcc or ground (Figure 3).
17	GND6	Ground
18	GND7	Ground
19	GND8	Ground
20	GND9	Ground

## Specifications

Table 2 lists the absolute maximum ratings for the RF106.

Table 3 gives the electrical specifications for the RF106.

**Table 2. Absolute Maximum Ratings**

Parameter	Min.	Max.	Unit
Supply voltage (V <sub>CC</sub> ) (note 1)		+5	V
Input voltage range (note 1)	GND	V <sub>CC</sub>	V
Power dissipation @ high output power mode		400	mW
Ambient operating temperature	-10	+70	°C
Storage temperature	-40	+125	°C
Notes:			
1. Voltages are referenced to GND.			

**Table 3. RF106 Electrical Specifications (note 1)**

Parameter	Min.	Typ.	Max.	Units
Gain variation vs. frequency (902–928 MHz)		±0.15	±0.75	dB
Peak-Envelope output Power (PEP) (note 2)	18	21	22	dBm
RF gain	26	29	30	dB
Total supply current:				
Output PEP = 21 dBm		95 (note 2)		mA
Output PEP = 11 dBm		40 (note 3)		mA
Output PEP = 1 dBm		30 (note 4)		mA
Standby (note 5)		< 1		μA
IM3: PEP ≤ 21 dBm		-21	-17	dBc
Output VSWR for unconditional stability			10:1	
RF input return loss (902–928 MHz)			-9.5	dB
RF output-to-input isolation @ 915 MHz		50		dB
RF input impedance		50		Ω
RFOUT passband 3dB BW around 915 MHz	250			MHz
V <sub>IH</sub> for ENABLE	1.9			V
V <sub>IL</sub> for ENABLE			0.8	V
I <sub>IH</sub> for ENABLE		50	60	μA
I <sub>IL</sub> for ENABLE	-10	-1	0	μA
Power supply for specified performance	3.0	3.6	5.0	V
Power supply range	2.7	3.6	5.0	V
Operating temperature range	-10	25	70	°C
Notes:				
1. Test conditions: T <sub>A</sub> = 25 °C, V <sub>CC</sub> = 3.3V, f <sub>REF</sub> = 915 MHz				
2. With continuous wave RF input signal of -8 dBm.				
3. With continuous wave RF input signal of -18 dBm.				
4. With continuous wave RF input signal of -28 dBm.				
5. When ENABLE (pin 10) is low.				

## Device Dimensions

Package dimensions for the RF106 are given in Figure 4.

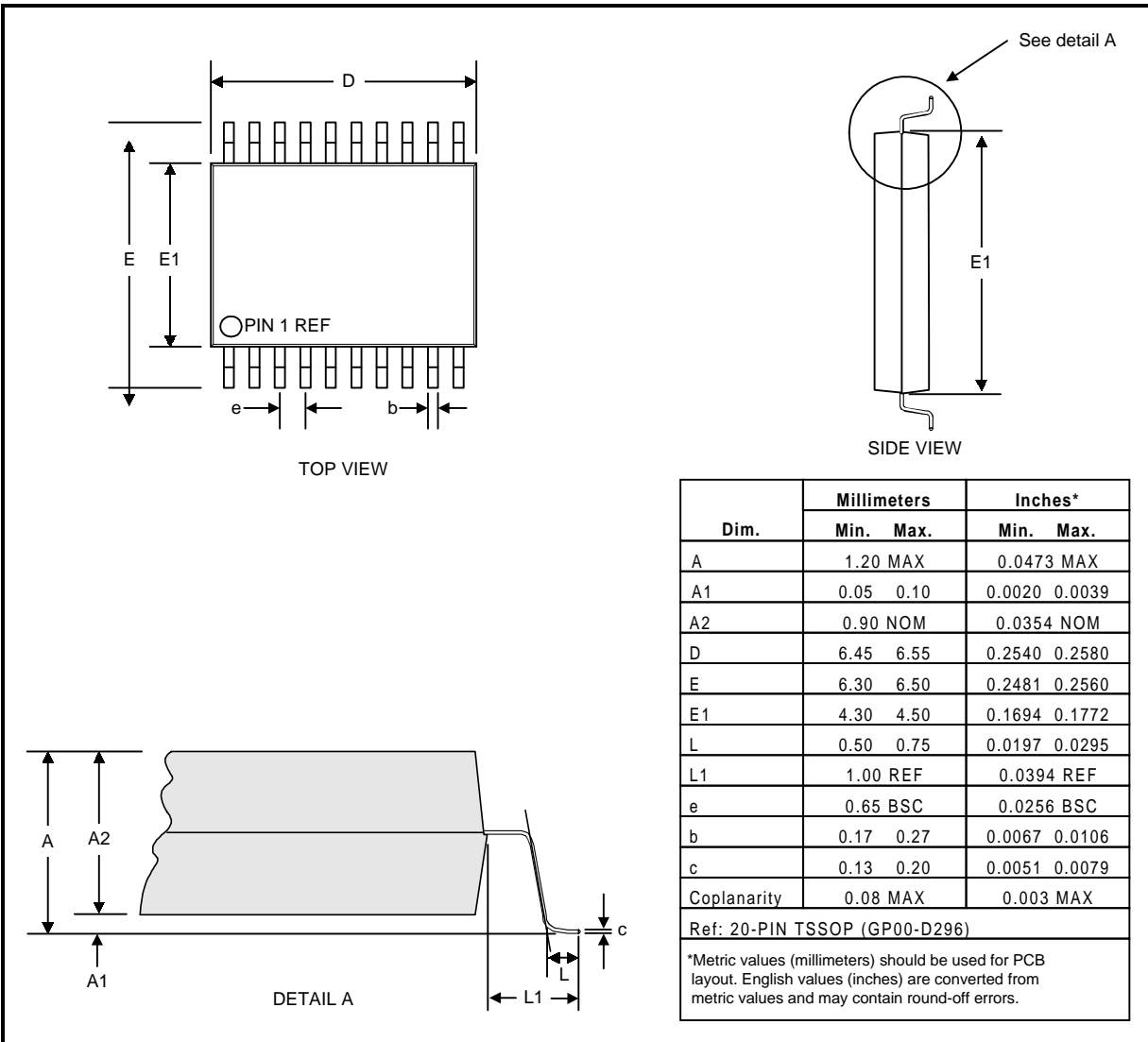


Figure 4. Package Dimensions - 20-pin TSSOP

Information provided by Conexant Systems, Inc. is believed to be accurate and reliable. However, no responsibility is assumed by Conexant for its use, nor any infringement of patents or other rights of third parties which may result from its use. No license is granted by implication or otherwise under any patent rights of Conexant other than for circuitry embodied in Conexant products. Conexant reserves the right to change circuitry at any time without notice. This document is subject to change without notice.

Conexant, "What's Next in Communications Technologies" and diSSTance are trademarks of Conexant Systems, Inc.

Product names or services listed in this publication are for identification purposes only, and may be trademarks or registered trademarks of their respective companies. All other marks mentioned herein are the property of their respective holders.

©1999, Conexant Systems, Inc.

Printed in U.S.A.

All Rights Reserved



**Further Information:**  
literature@conexant.com  
1-800-854-8099 (North America)  
33-14-906-3980 (International)

**Web Site**  
www.conexant.com

**World Headquarters**  
Conexant Systems, Inc.  
4311 Jamboree Road,  
P.O. Box C  
Newport Beach, CA 92658-8902  
Phone: (949) 483-4600  
Fax: (949) 483-6375

**U.S. Florida/South America**  
Phone: (813) 799-8406  
Fax: (813) 799-8306

**U.S. Los Angeles**  
Phone: (805) 376-0559  
Fax: (805) 376-8180

**U.S. Mid-Atlantic**  
Phone: (215) 244-6784  
Fax: (215) 244-9292

**U.S. North Central**  
Phone: (630) 773-3454  
Fax: (630) 773-3907

**U.S. Northeast**  
Phone: (978) 692-7660  
Fax: (978) 692-8185

**U.S. Northwest/Pacific West**  
Phone: (408) 249-9696  
Fax: (408) 249-7113

**U.S. South Central**  
Phone: (972) 733-0723  
Fax: (972) 407-0639

**U.S. Southeast**  
Phone: (770) 246-8283  
Fax: (770) 246-0018

**U.S. Southwest**  
Phone: (949) 222-9119  
Fax: (949) 222-0620

**APAC Headquarters**  
Conexant Systems Singapore,  
Pte. Ltd.  
1 Kim Seng Promenade  
Great World City  
#09-01 East Tower  
Singapore 237994  
Phone: (65) 737 7355  
Fax: (65) 737 9077

**Australia**  
Phone: (61 2) 9869 4088  
Fax: (61 2) 9869 4077

**China**  
Phone: (86 2) 6361 2515  
Fax: (86 2) 6361 2516

**Hong Kong**  
Phone: (852) 2 827 0181  
Fax: (852) 2 827 6488

**India**  
Phone: (91 11) 692 4780  
Fax: (91 11) 692 4712

**Korea**  
Phone: (82 2) 565 2880  
Fax: (82 2) 565 1440

**Europe Headquarters**  
Conexant Systems France  
Les Taissounieres B1  
1680 Route des Dolines  
BP 283  
06905 Sophia Antipolis Cedex  
France  
Phone: (33 4) 93 00 33 35  
Fax: (33 4) 93 00 33 03

**Europe Central**  
Phone: (49 89) 829 1320  
Fax: (49 89) 834 2734

**Europe Mediterranean**  
Phone: (39 02) 9317 9911  
Fax: (39 02) 9317 9913

**Europe North**  
Phone: (44 1344) 486 444  
Fax: (44 1344) 486 555

**Europe South**  
Phone: (33 1) 41 44 36 50  
Fax: (33 1) 41 44 36 90

**Middle East Headquarters**  
Conexant Systems Commercial  
(Israel) Ltd.  
P.O. Box 12660  
Herzlia 46733  
Israel  
Phone: (972 9) 952 4064  
Fax: (972 9) 951 3924

**Japan Headquarters**  
Conexant Systems Japan Co., Ltd.  
Shimomoto Building  
1-46-3 Hatsudai,  
Shibuya-ku  
Tokyo, 151-0061  
Japan  
Phone: (81 3) 5371 1567  
Fax: (81 3) 5371 1501

**Taiwan Headquarters**  
Conexant Systems, Taiwan Co., Ltd.  
Room 2808  
International Trade Building  
Keelung Road, Section 1  
Taipei 110  
Taiwan, ROC  
Phone: (886 2) 2720 0282  
Fax: (886 2) 2757 6760