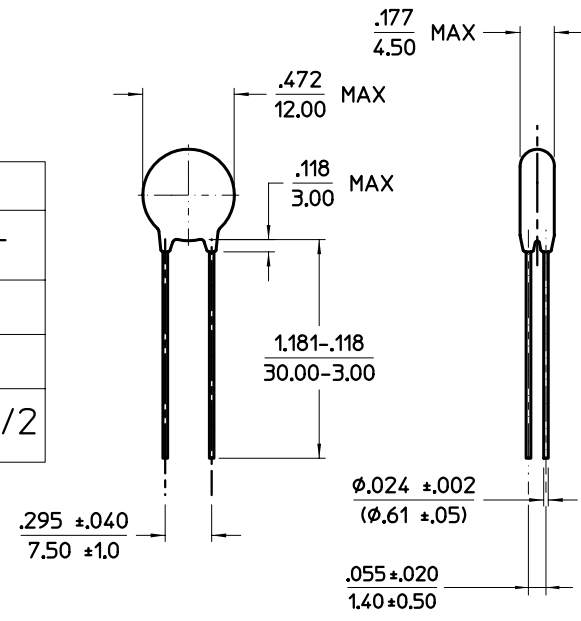


VICOR CONFIDENTIAL
 THIS DOCUMENT AND THE DATA DISCLOSED
 HEREIN OR HEREWITH IS NOT TO BE REPRODUCED,
 USED, OR DISCLOSED IN WHOLE OR IN PART
 TO ANYONE WITHOUT PERMISSION OF VICOR CORP.

REV.	DESCRIPTION	DATE	APPROVED
01	DRAWN AND RELEASED PER E980496 DPK	11/12/98	RCM
02	REVISED PER E000623 PEI	3/21/01	RCM

APPROVALS			
COUNTRY	SPECIFICATION	APPROVAL REFERENCE	APPROVAL MARK
USA UL	UL 1414	E183844	UL
CANADA CSA	C22.2, N-1-94	LR64546-10	CSA
EUROPEAN COMMUNITY EEC	EN132400, IEC384-14.2	(X1) 183694-01 (X2) 189686-01	EEC 384-14/2



MARKINGS	
CAPACITANCE	CLEAR TEXT (VALUE IN nF)
RATED VOLTAGE	CLEAR TEXT: 250V - Y2
CLIMATE CATEGORY	CLEAR TEXT: GKF
APPROVAL MARKS	SEE TABLE
CAPACITOR TYPE	CLEAR TEXT: WYO
MANUFACTURER SYMBOL	

SPECIFICATIONS
 MAT'L: EPOXY RESIN DIPPED
 CAPACITANCE VALUE: 4700pF (4n7)
 CAPACITANCE TOLERANCE: ±20% (M)
 RATED VOLTAGE: Y2 = 250VAC, 50/60Hz, X1=440 VAC, 50Hz
 TEST VOLTAGE: 1800 VAC, 50Hz
 (current limitation: 50mA)
 INSULATION RESISTANCE: ≥ 6 X 10⁹ ohm
 DISSIPATION FACTOR TAN δ: ≤ 35 X 10⁻³
 TEMPERATURE RANGE: -40°C TO +125°C
 CLIMATE CATEGORY: GKF ACCORDING TO EN132400
 IEC TEST CLASSIFICATION: 40/125/21 ACCORDING TO EN60068-1
 INSULATED TYPE ACCORDING TO VDE SPECIFICATIONS
 (TEST VOLTAGE 2000 VAC 50Hz 60 SECONDS)
 FLAME RETARDANT

DRAWN BY D.P. KELLY	DATE 11/98		
<small>UNLESS OTHERWISE SPECIFIED DIMENSIONS ARE IN INCHES. TOLERANCES ARE: FRACTIONS DECIMALS ANGLES #1/64 .001 #12 .0005 .005 #12</small>		CAPACITOR, CERAMIC DISC 4700pF, ±20%, 250 VAC	
THIRD ANGLE PROJECTION 	SIZE C 67131	DWG NO 03285	REV 02
DO NOT SCALE DRAWING	SCALE 2-1	SHEET 1 OF 1	