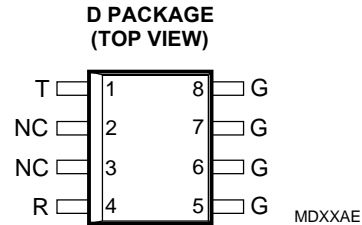


OVERVOLTAGE PROTECTION FOR LUCENT TECHNOLOGIES LCAS

- **Symmetrical and Asymmetrical Characteristics for Optimum Protection of Lucent L7581/2/3 LCAS**

TERMINAL PAIR	V _{DRM} V	V _(BO) V
T-G (SYMMETRICAL)	±105	±130
R-G (ASYMMETRICAL)	+105, -180	+130, -220

CUSTOMISED VERSIONS AVAILABLE



NC - No internal connection

- **Rated for International Surge Wave Shapes**

WAVE SHAPE	STANDARD	I _{TSP} A
2/10 μs	GR-1089-CORE	175
8/20 μs	ANSI C62.41	120
10/160 μs	FCC Part 68	60
10/700 μs	ITU-T K20/21	50
10/560 μs	FCC Part 68	45
10/1000 μs	GR-1089-CORE	35

- **Ion-Implanted Breakdown Region
Precise And Stable Voltage
Low Voltage Overshoot Under Surge**
- **Planar Passivated Junctions
Low Off-State Current < ±10 μA**
- **Small Outline Surface Mount Package
- Available Ordering Options**

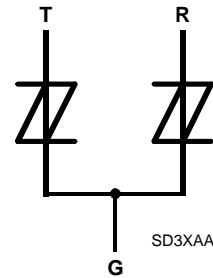
CARRIER	ORDER #
Tube	TISPL758LF3D
Taped and reeled	TISPL758LF3DR

description

The TISPL758LF3 is an integrated combination of a symmetrical bidirectional overvoltage protector and an asymmetrical bidirectional overvoltage protector. It is designed to limit the peak voltages on the line terminals of the Lucent Technologies L7581/2/3 LCAS (Line Card Access Switches). An LCAS may also be referred to as a Solid State Relay, SSR, i.e. a replacement of the conventional electro-mechanical relay.

The TISPL758LF3D voltages are chosen to give adequate LCAS protection for all switch conditions. The most potentially stressful

device symbol



Terminals T, R and G correspond to the alternative line designators of A, B and C

condition is low level power cross when the LCAS switches are closed. Under this condition, the TISPL758LF3D limits the voltage and corresponding LCAS dissipation until the LCAS thermal trip operates and opens the switches.

Under open-circuit ringing conditions, the line ring (R) conductor will have high peak voltages. For battery backed ringing, the ring conductor will have a larger peak negative voltage than positive i.e. the peak voltages are asymmetric. An overvoltage protector with a similar voltage asymmetry will give the most effective protection. On a connected line, the tip (T) conductor will have much smaller voltage levels than the open-circuit ring conductor values. Here a symmetrical voltage protector gives adequate protection.

Overvoltages are normally caused by a.c. power system or lightning flash disturbances which are induced or conducted on to the telephone line. These overvoltages are initially clipped by protector breakdown clamping until the voltage rises to the breakover level, which causes the

Support from the Microelectronics Group of Lucent Technologies Inc. is gratefully acknowledged in the definition of the TISPL758LF3D voltage levels and for performing TISPL758LF3D evaluations.

PRODUCT INFORMATION

TISPL758LF3D - INTEGRATED SYMMETRICAL AND ASYMMETRICAL BIDIRECTIONAL OVERVOLTAGE PROTECTORS FOR LUCENT TECHNOLOGIES L7581/2/3 LINE CARD ACCESS SWITCHES



device to crowbar into a low-voltage on state. This low-voltage on state causes the current resulting from the overvoltage to be safely diverted through the device. For negative surges, the high crowbar holding current prevents d.c. latchup with the SLIC current, as the surge current subsides. The TISPL758LF3 is guaranteed to voltage limit and withstand the listed international lightning surges in both polarities.

These protection devices are supplied in a small-outline surface mount (D) plastic package. The difference between the TISPL758LF3D and TISPL758LF3DR versions is shown in the ordering information.

absolute maximum ratings, $T_A = 25^\circ\text{C}$ (unless otherwise noted)

RATING		SYMBOL	VALUE	UNIT
Repetitive peak off-state voltage	R-G terminals T-G terminals	V_{DRM}	-180, +105 -105, +105	V
Non-repetitive peak on-state pulse current (see Notes 1, 2 and 3)				
2/10 μs (GR-1089-CORE, 2/10 μs voltage wave shape)			175	
8/20 μs (ANSI C62.41, 1.2/50 μs voltage wave shape)			120	
10/160 μs (FCC Part 68, 10/160 μs voltage wave shape)			60	
5/200 μs (VDE 0433, 2.0 kV, 10/700 μs voltage wave shape)			50	
0.2/310 μs (I3124, 2.0 kV, 0.5/700 μs voltage wave shape)		I_{TSP}	50	A
5/310 μs (ITU-T K20/21, 2.0 kV, 10/700 μs voltage wave shape)			50	
5/310 μs (FTZ R12, 2.0 kV, 10/700 μs voltage wave shape)			50	
10/560 μs (FCC Part 68, 10/560 μs voltage wave shape)			45	
10/1000 μs (GR-1089-CORE, 10/1000 μs voltage wave shape)			35	
Non-repetitive peak on-state current (see Notes 1, 2 and 3)				
full sine wave	50 Hz 60 Hz	I_{TSM}	16 20	A
Repetitive peak on-state current, 50/60 Hz, (see Notes 2 and 3)		I_{TSM}	2x1	A
Initial rate of rise of on-state current, Exponential current ramp, Maximum ramp value < 70 A		di_T/dt	150	A/ μs
Junction temperature		T_J	-40 to +150	$^\circ\text{C}$
Storage temperature range		T_{stg}	-40 to +150	$^\circ\text{C}$

- NOTES: 1. Above the maximum specified temperature, derate linearly to zero at 150 $^\circ\text{C}$ lead temperature.
2. Initially the TISPL758LF3 must be in thermal equilibrium with 0 $^\circ\text{C}$ < T_J < 70 $^\circ\text{C}$.
3. The surge may be repeated after the TISPL758LF3 returns to its initial conditions.

recommended operating conditions

			MIN	TYP	MAX	UNIT
R1	Series Resistor for GR-1089-CORE	first-level surge, operational pass (4.5.7)	20			Ω
R1	Series Resistor for FCC Part 68	10/160 non-operational pass	0			Ω
		10/160 operational pass	18			
		10/560 non-operational pass	0			
		10/560 operational pass	10			
R1	Series Resistor for ITU-T K20/21	10/700, < 2 kV, operational pass	0			Ω
		10/700, 4 kV, operational pass	40			

PRODUCT INFORMATION

JANUARY 1998 - REVISED AUGUST 2002
Specifications are subject to change without notice.

electrical characteristics for the T-G and R-G terminal pairs, $T_J = 25^\circ\text{C}$ (unless otherwise noted)

PARAMETER	TEST CONDITIONS	VALUE			UNIT
		MIN	TYP	MAX	
I_{DRM} Repetitive peak off-state current	$V_D = \pm V_{\text{DRM}}$, (See Note 4)			± 10	μA
$V_{(\text{BO})}$ Breakover voltage	$dv/dt = \pm 250 \text{ V/ms}$, $R_{\text{SOURCE}} = 300 \Omega$ R-G terminals T-G terminals	-220 -130		+130 +130	V
$V_{(\text{BO})}$ Impulse breakover voltage	Rated impulse conditions with operational pass series resistor R-G terminals T-G terminals	-240 -140		+140 +140	V
I_H Holding current	$di/dt = -30 \text{ mA/ms}$ $di/dt = +30 \text{ mA/ms}$	+100 -150			mA
I_D Off-state current	$0 < V_D < \pm 50 \text{ V}$, $T_J = 85^\circ\text{C}$			± 10	μA
C_{TG} Off-state capacitance	$f = 100 \text{ kHz}$, $V_d = 1 \text{ V rms}$ $V_{\text{TG}} = -5 \text{ V}$, (See Note 5)		18	36	pF
C_{RG} Off-state capacitance	$f = 100 \text{ kHz}$, $V_d = 1 \text{ V rms}$ $V_{\text{TG}} = -50 \text{ V}$, (See Note 5)		10	20	pF

- NOTES: 4. Positive and negative values of V_{DRM} are not equal. See ratings table
 5. These capacitance measurements employ a three terminal capacitance bridge incorporating a guard circuit. The third terminal is connected to the guard terminal of the bridge.

thermal characteristics

PARAMETER	MIN	TYP	MAX	UNIT
$R_{\theta\text{JA}}$ Junction to free air thermal resistance			160	$^\circ\text{C/W}$

PRODUCT INFORMATION

PARAMETER MEASUREMENT INFORMATION

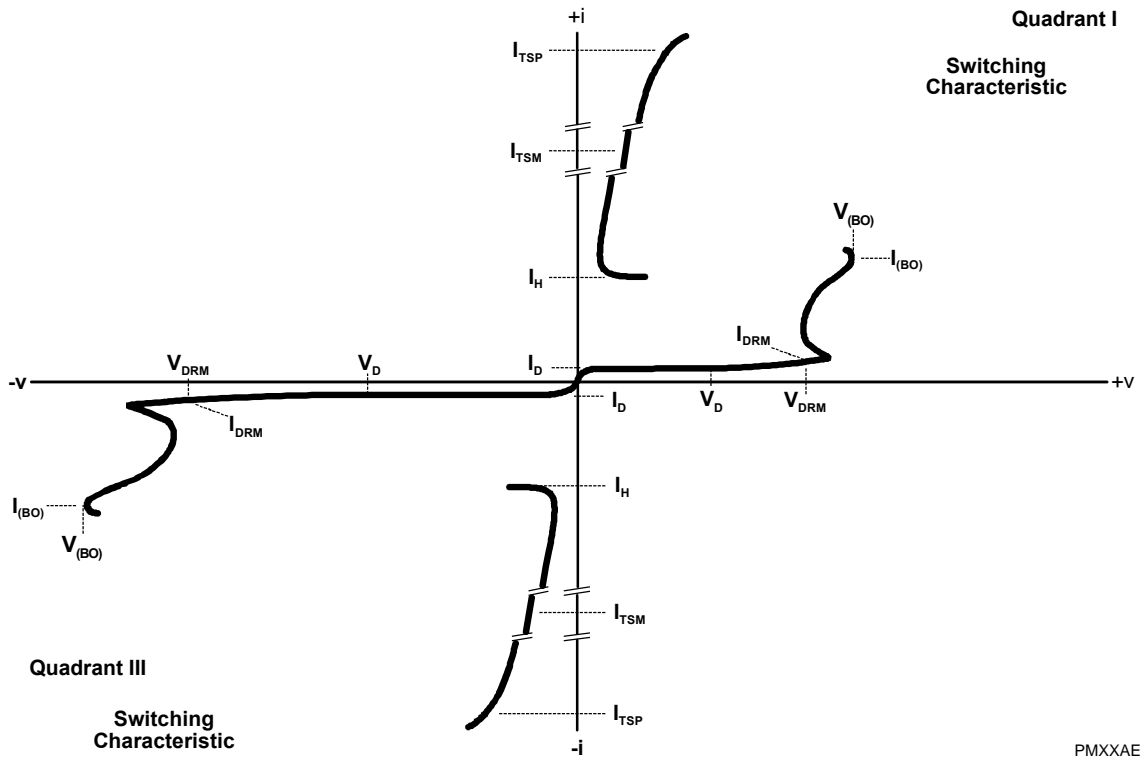


Figure 1. ASYMMETRICAL VOLTAGE-CURRENT CHARACTERISTIC FOR R-G TERMINAL PAIR

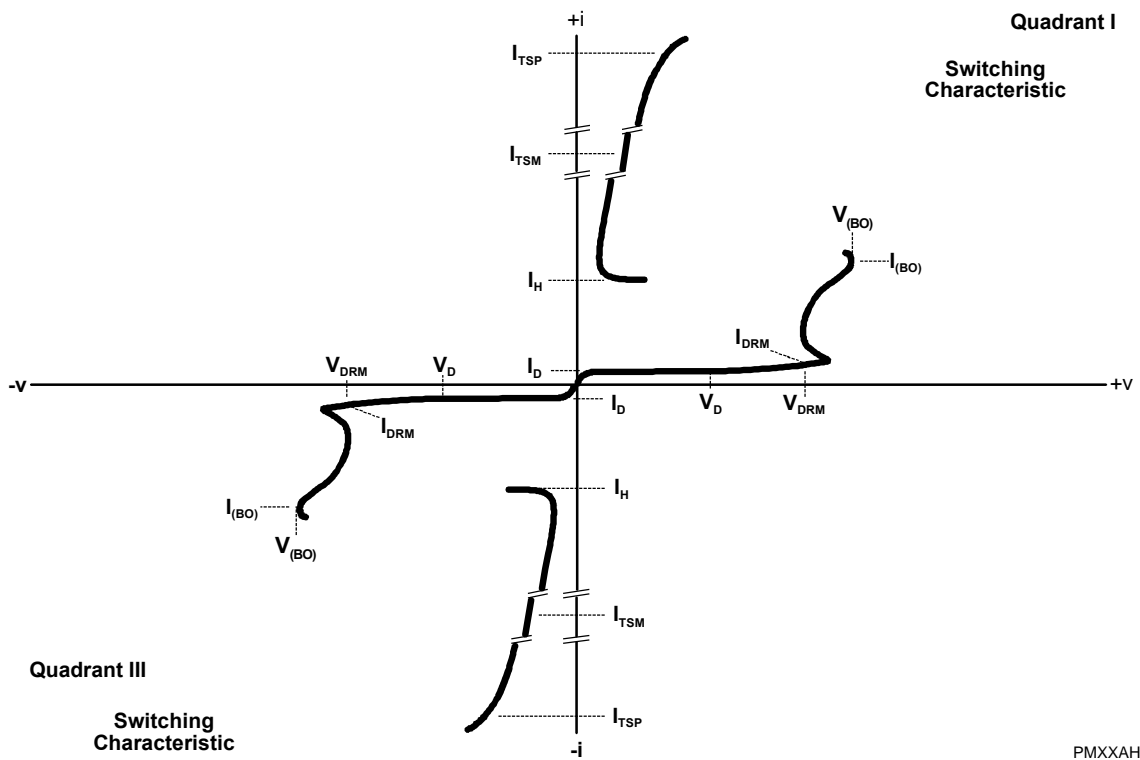


Figure 2. SYMMETRICAL VOLTAGE-CURRENT CHARACTERISTIC FOR T-G TERMINAL PAIR

PRODUCT INFORMATION

TYPICAL CHARACTERISTICS

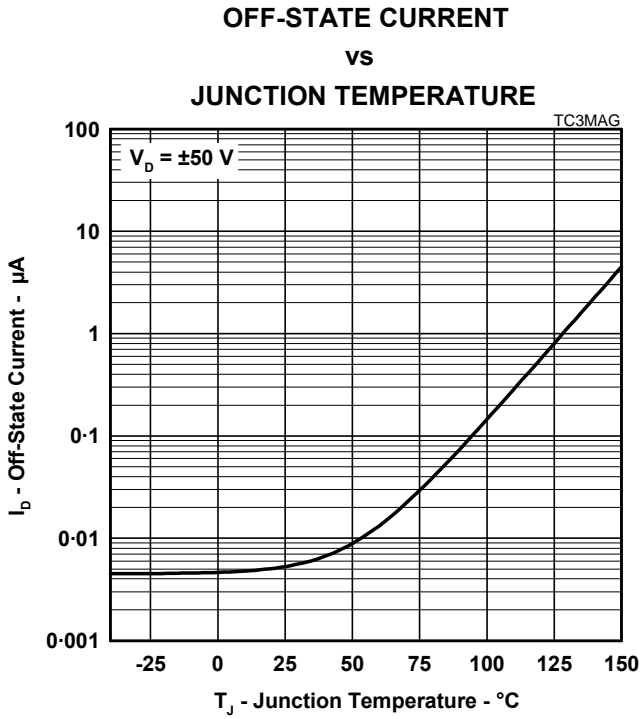


Figure 3.

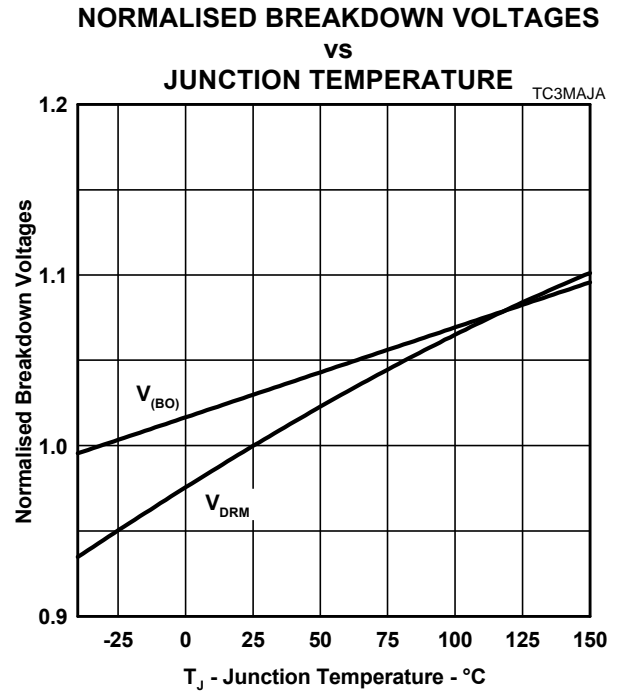


Figure 4.

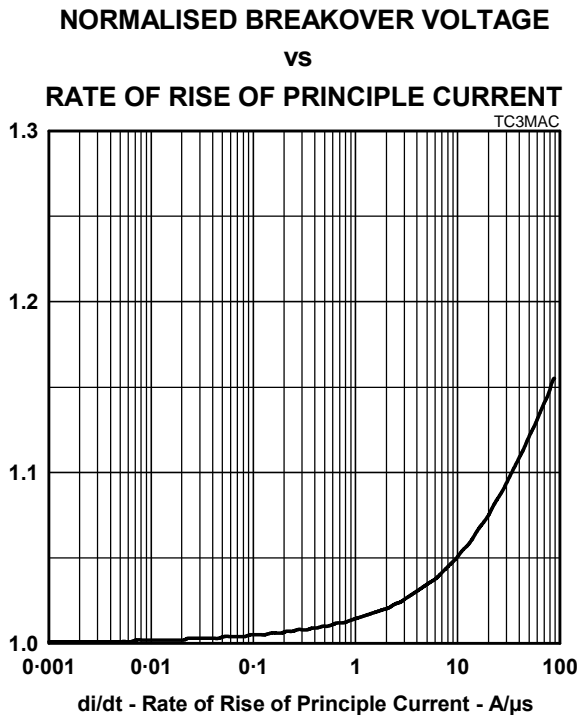


Figure 5.

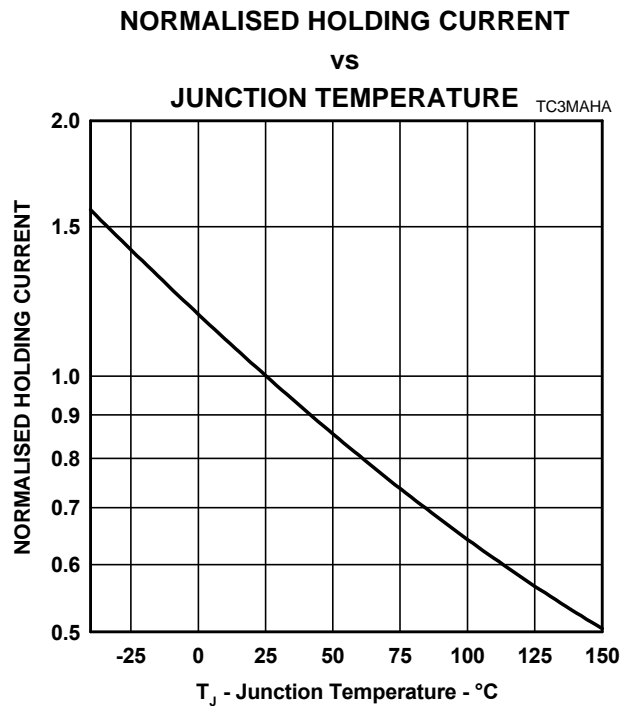


Figure 6.

APPLICATIONS INFORMATION

PRODUCT INFORMATION

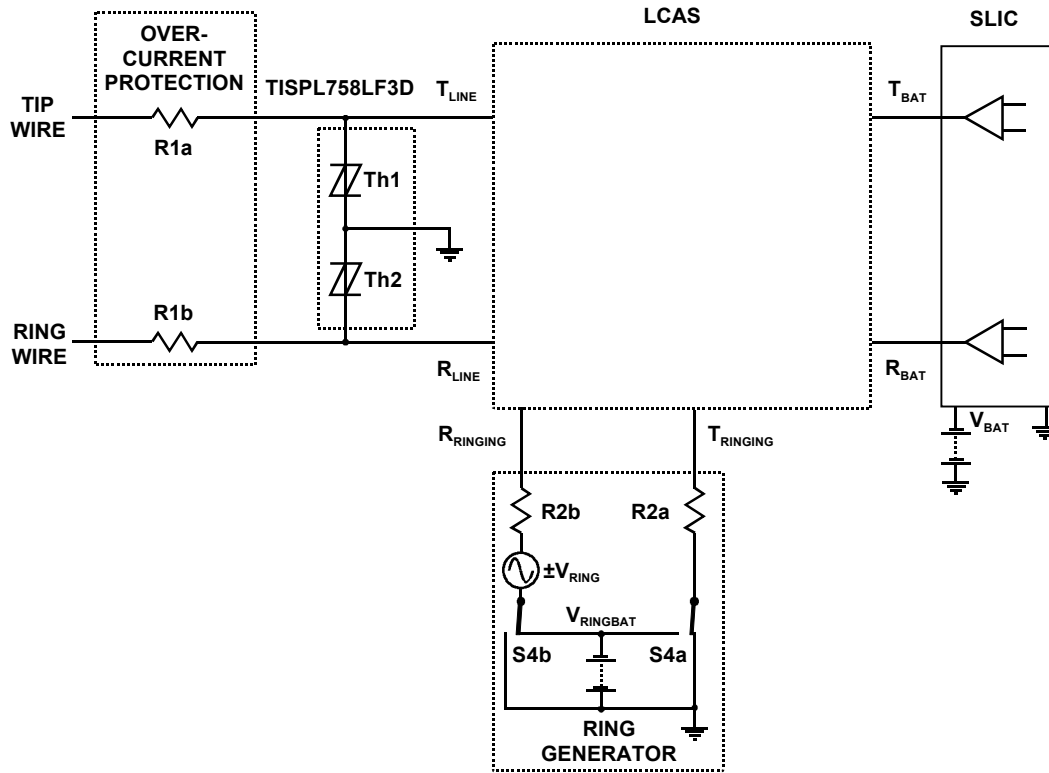


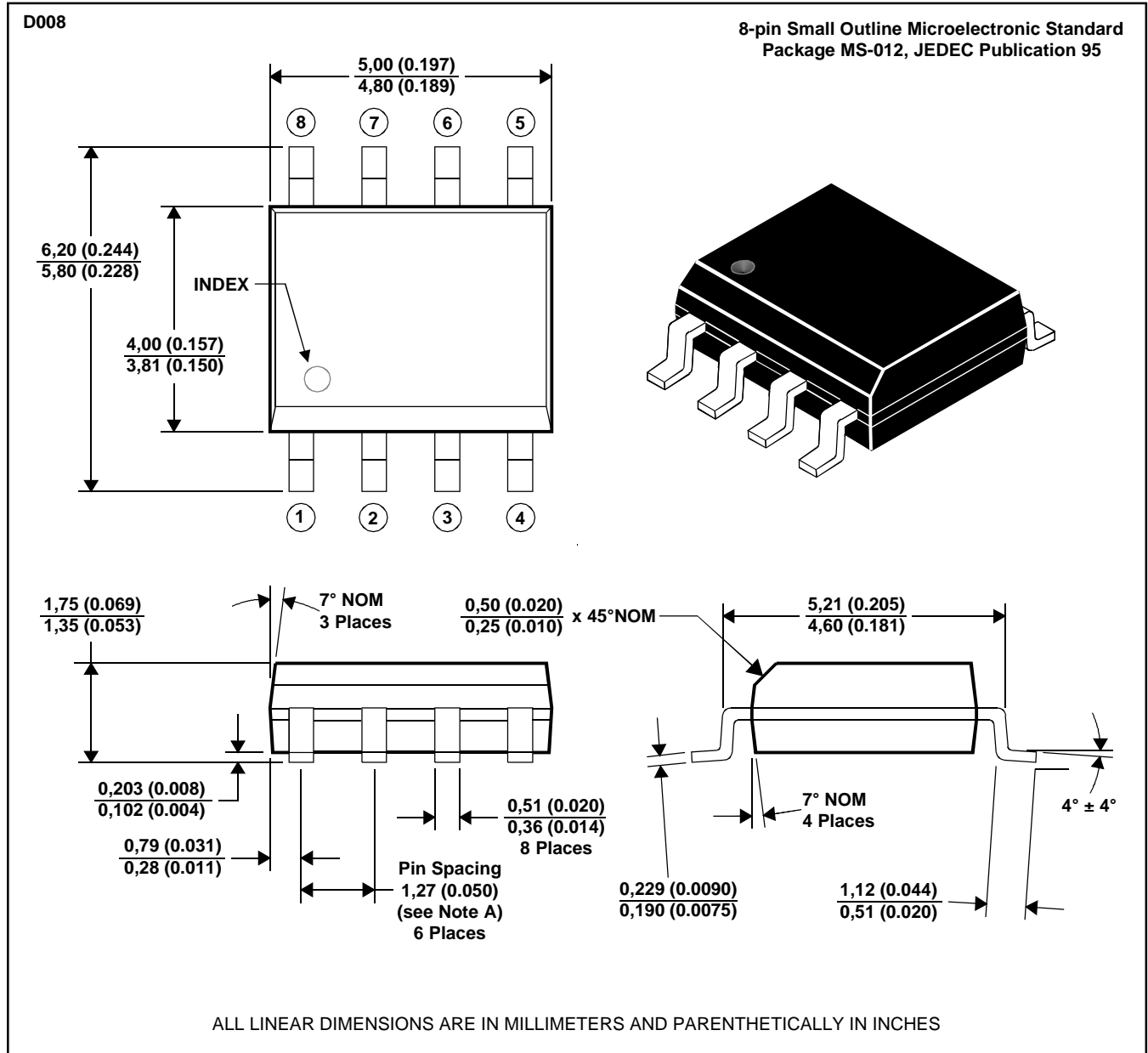
Figure 7. LCAS PROTECTION WITH A TISPL758LF3D

MECHANICAL DATA

D008

plastic small-outline package

This small-outline package consists of a circuit mounted on a lead frame and encapsulated within a plastic compound. The compound will withstand soldering temperature with no deformation, and circuit performance characteristics will remain stable when operated in high humidity conditions. Leads require no additional cleaning or processing when used in soldered assembly.



- NOTES: A. Leads are within 0,25 (0.010) radius of true position at maximum material condition.
 B. Body dimensions do not include mold flash or protrusion.
 C. Mold flash or protrusion shall not exceed 0,15 (0.006).
 D. Lead tips to be planar within ±0,051 (0.002).

MDXXAAC

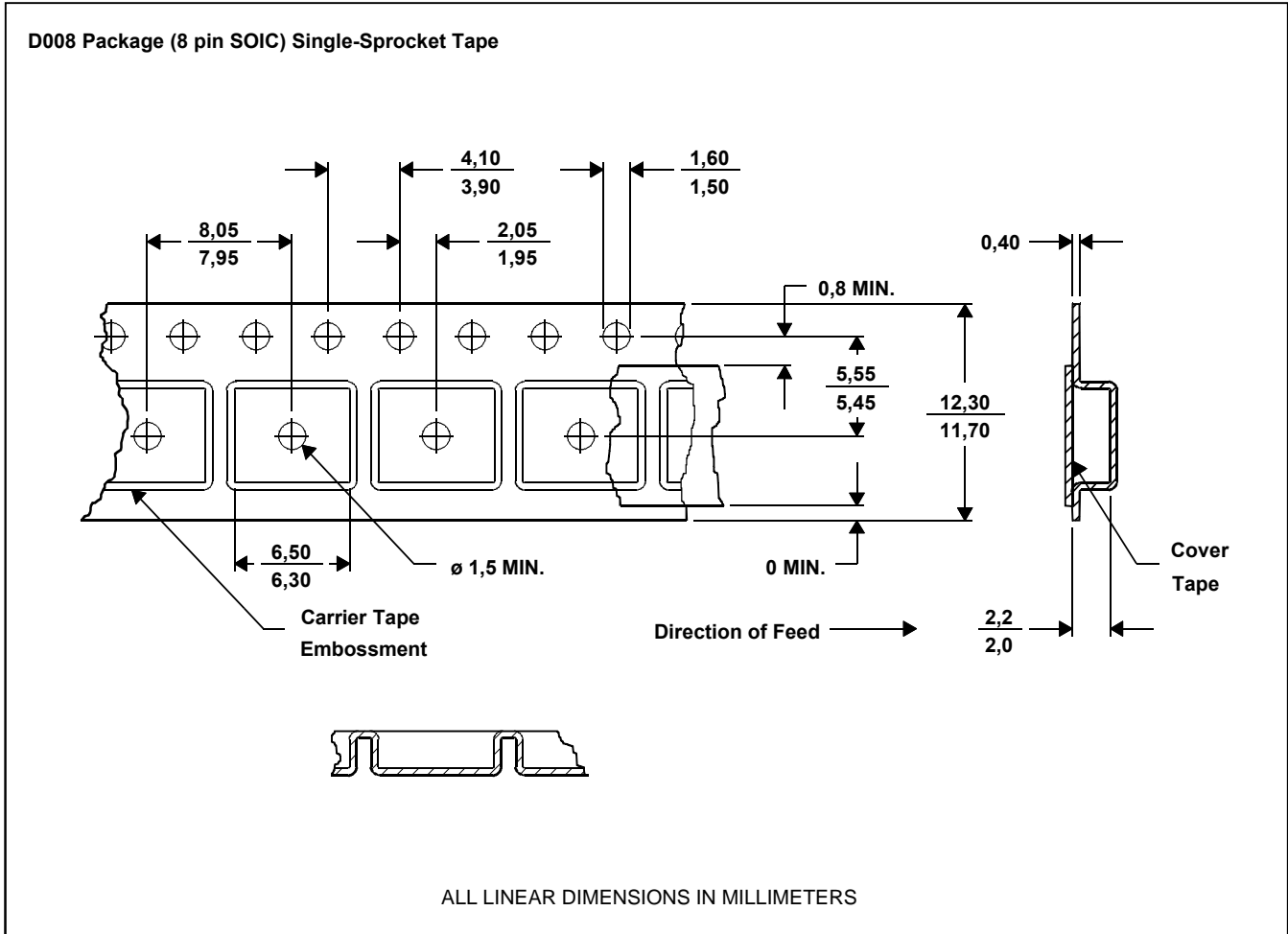
PRODUCT INFORMATION

JANUARY 1998 - REVISED AUGUST 2002
 Specifications are subject to change without notice.

MECHANICAL DATA

D008

tape dimensions



NOTES: A. Taped devices are supplied on a reel of the following dimensions:-

MDXXAT

Reel diameter: 330 +0,0/-4,0 mm
 Reel hub diameter: 100 ±2,0 mm
 Reel axial hole: 13,0 ±0,2 mm

B. 2500 devices are on a reel.

PRODUCT INFORMATION

JANUARY 1998 - REVISED AUGUST 2002
 Specifications are subject to change without notice.