

FEATURES

- 20MHz sampling rate
- Low Power, 100mW, max
- 100MHz full power input bandwidth
- Integral sample-and-hold
- Single +3V supply operation
- TTL compatible digital output
- Offset binary output coding

GENERAL DESCRIPTION

The ADS-238Q is a monolithic, 12-bit, 20MHz, sampling analog-to-digital converter fabricated in a CMOS process. The converter is designed for applications where high speed, wide bandwidth and low power dissipation are essential. These characteristics are provided through the use of a fully differential pipeline A/D architecture with digital error correction logic for the eleven most significant bits.

The ADS-238Q offers excellent dynamic performance while consuming only 79mW, typical. The power dissipation is approximately proportional to the sampling rate, thus the ADS-238Q is ideal for low power applications between 1 and 20 MHz. With low distortion and high dynamic range, this device provides the performance required for imaging, telecommunications, multimedia, and instrumentation applications.

The ADS-238Q is available in a 44-pin (plastic) TQFP package and operates over the commercial 0°C to 70°C temperature range.

INPUT/OUTPUT CONNECTIONS

PIN	FUNCTION	PIN	FUNCTION
1	GND	44	Vs
2	CLK	43	BIT 12 (LSB)
3	N.C.	42	BIT 11
4	Vs	41	BIT 10
5	Vs	40	BIT 9
6	Vs	39	BIT 8
7	Vs	38	BIT 7
8	Vs	37	BIT 6
9	Vs	36	BIT 5
10	VREF-	35	BIT 4
11	VREF+	34	BIT 3
12	N.C.	33	BIT 2
13	N.C.	32	BIT 1
14	N.C.	31	GND
15	GND	30	GND
16	BIAS1	29	GND
17	BIAS2	28	GND
18	VCM	27	GND
19	GND	26	GND
20	VIN+	25	GND
21	VIN-	24	GND
22	GND	23	GND

Note: Recommend that N.C. (no connect) pins be connected to analog ground.

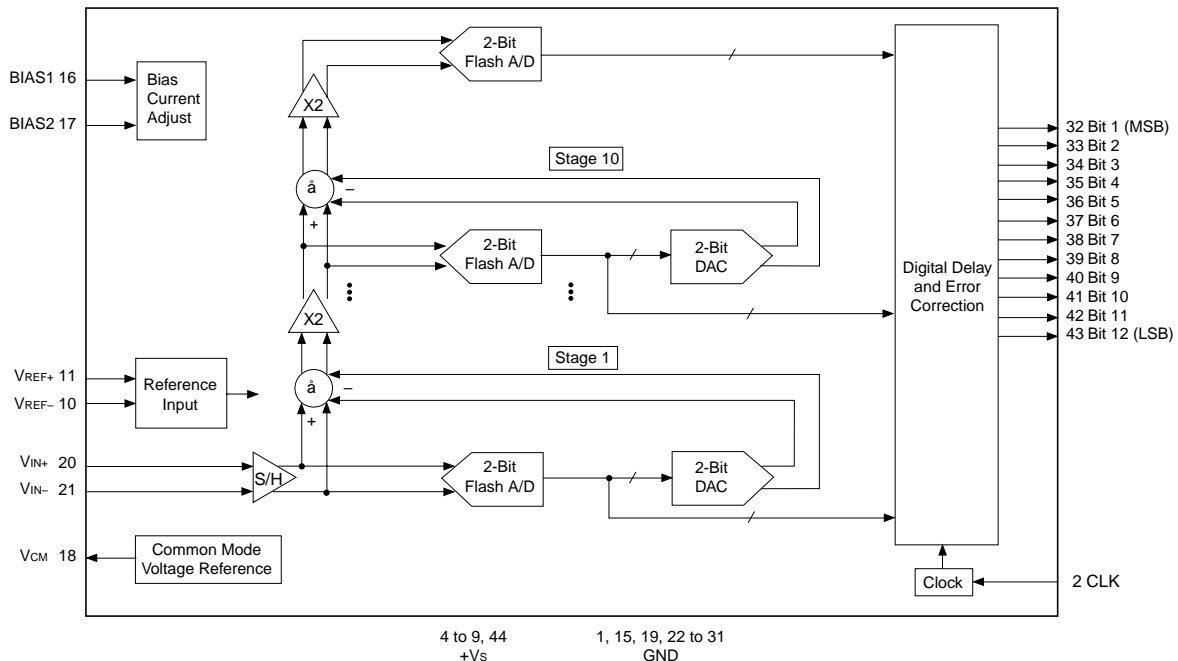


Figure 1. ADS-238Q Functional Block Diagram

ABSOLUTE MAXIMUM RATINGS

PARAMETERS	LIMITS	UNITS
Supply Voltage, Vs (Pins 4-9,44)	-0.5 to +6	Volts
Input Voltages:		
Analog Input, VIN+, VIN- (Pin 20, 21)	-0.5 to (+Vs +0.5)	Volts
VREF-, VREF+, (Pin 10, 11)	-0.5 to (+Vs +0.5)	Volts
CLK, (Pin 2)	-0.5 to (+Vs +0.5)	Volts
Lead Temperature (10 seconds)	+300	°C

FUNCTIONAL SPECIFICATIONS

(TA = TMIN to TMAX, Vs = 3.3V, VREF- = 1.15V, VREF+ = 2.15V, VCM = 1.65V, CLK Frequency = 20MHz, BIAS1 = 90µA, BIAS2 = 9.5µA, Duty Cycle = 50% and Differential Input, unless otherwise specified.)

ANALOG INPUTS	MIN.	TYP.	MAX.	UNITS
Differential Input Voltage Range	±0.6	±1.0	±1.7	Volts
Common Mode Input Voltage	1.2	1.65	1.9	Volts
Input Capacitance	—	1.4	—	pF
Input Bandwidth, Large Signal	—	120	—	MHz
DIGITAL INPUTS				
Logic Levels				
Logic "1"	80% Vs	—	—	Volts
Logic "0"	—	—	20% Vs	Volts
Logic Loading "1"	—	—	±1	µA
Logic Loading "0"	—	—	±1	µA
Input Capacitance	—	1.8	—	pF
REFERENCE VOLTAGES				
Reference Input Voltage Range (VREF+ - VREF-)	0.6	1.0	1.7	Volts
Negative Reference Voltage (VREF-)	—	1.15	—	Volts
Positive Reference Voltage (VREF+)	—	2.15	—	Volts
Common Mode Output Voltage (VCM)	1.3	1.65	1.8	Volts
STATIC PERFORMANCE				
Resolution	—	12	—	Bits
Differential Nonlinearity	—	±0.6	—	LSB
Integral Nonlinearity	—	±3.0	—	LSB
Common Mode rejection ratio	—	55	—	dB
No Missing Codes	12	—	—	Bits
Offset, Mid-Scale	—	±1.0	—	%FSR
Gain Error	—	0.3	—	%
DYNAMIC PERFORMANCE				
Peak Harmonics				
FIN = 5MHz	62	70	—	dB
FIN = 10MHz	—	61	—	dB
Total Harmonics Distortion				
FIN = 5MHz	—	-68	-61	dB
FIN = 10MHz	—	-60	—	dB
Signal-to-Noise Ratio (w/o distortion)				
FIN = 5MHz	59	62	—	dB
FIN = 10MHz	—	58	—	dB
Signal-to-Noise Ratio (and distortion)				
FIN = 5MHz	57	61	—	dB
FIN = 10MHz	—	56	—	dB
Effective Number of Bits				
FIN = 5MHz	9.2	9.8	—	Bits
FIN = 10MHz	—	9.0	—	Bits

DYNAMIC PERFORMANCE				
Differential Phase	—	0.2	—	Degrees
Differential Gain	—	0.5	—	%
Aperture Uncertainty	—	10	—	ps rms
Aperture Delay Time, tAP	—	5	—	ns
Data Latency	—	7.5	—	Cycles
A/D Conversion Rate	20	—	—	MHz
DIGITAL OUTPUTS				
Logic "1"	80% Vs	95% Vs	—	Volts
Logic "0"	—	0.1	0.4	Volts
CLK to Output Delay Time, td	4	8	12	ns
POWER REQUIREMENTS				
Supply Voltages, VS	2.8	3.3	3.6	Volts
Supply Current, Is	—	24	30	mA
Power Dissipation	—	79	100	mW
Power Supply Rejection Ratio	—	63	—	dB
PHYSICAL/ENVIRONMENTAL				
Operating Temp. Range, Case	0	—	+70	°C
Storage Temperature Range	-65	—	+125	°C
Package Type	44-pin (lead), plastic thin quad flat package			
Weight	0.2 grams			

TECHNICAL NOTES

Differential Analog Input

The analog input is a fully differential input that can be configured in various ways depending on whether a single-ended or differential, AC or DC coupled input is required. An AC coupled input is most readily implemented using a transformer (1:1 with a center tap on the secondary winding) as illustrated in Figures 2, Typical Connection Diagram, and 3.1, Transformer Coupled Input. To minimize distortion, the core of the transformer must not saturate at full scale input voltage levels. To minimize kickback noise from the internal sample-and-hold a small capacitor should be connected across the VIN pins (pins 20 and 21).

Figure 3.2, DC Coupled Single Ended Input, illustrates a conversion circuit for a DC coupled single-ended input. Power supplies and by-pass capacitors are not shown.

Reference Voltage Inputs

The ADS-238Q is designed to accept two external reference voltages at the VREF input pins, see Figure 2, Typical Connection Diagram. These reference voltages, applied to VREF+ (pin 11) and VREF- (pin 10), determine the analog input voltage range, which is equal to ±(VREF+ - VREF-). This voltage range will be symmetric about the common mode voltage, and for best performance should be symmetrical about the midpoint of the supply voltage.

In order to minimize overall converter noise it is recommended that the VREF pins be adequately bypassed using a 4.7µF tantalum capacitor in parallel with a 0.01µF ceramic capacitor. Locate the bypass capacitors as close to the unit as possible.

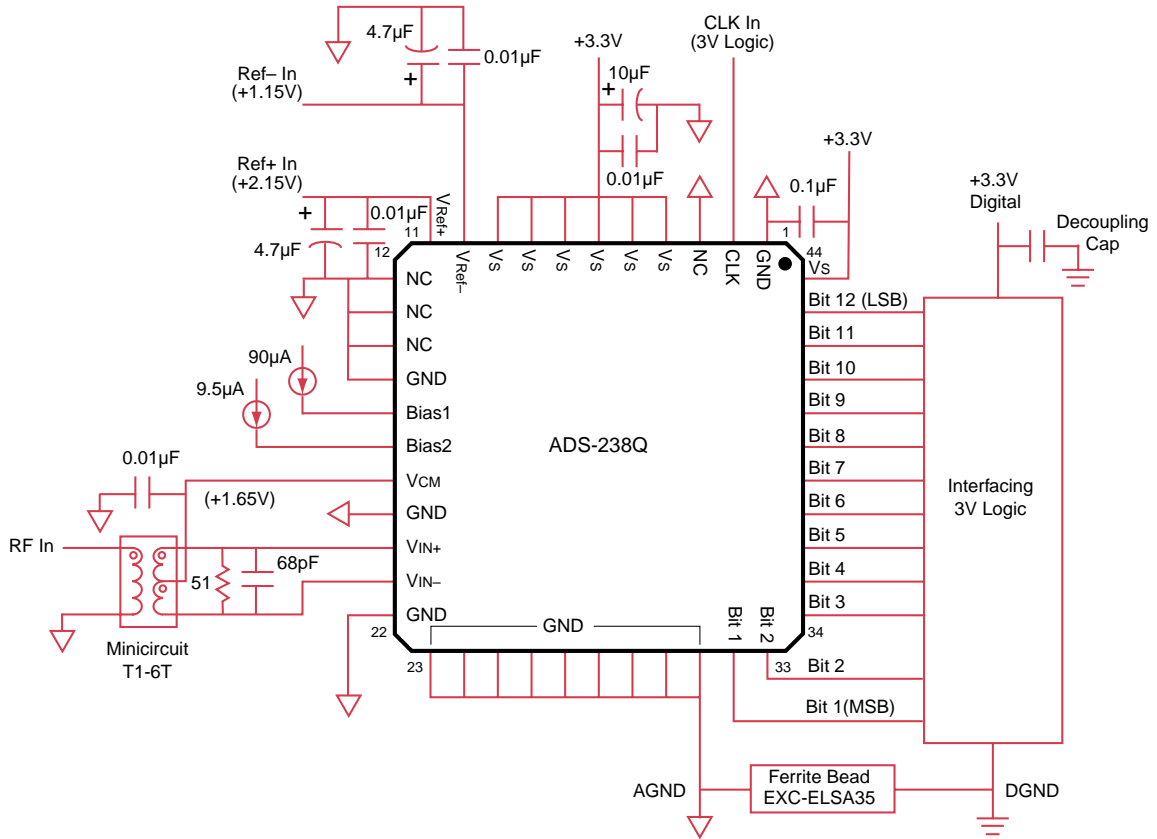


Figure 2. ADS-238Q Typical Connection Diagram

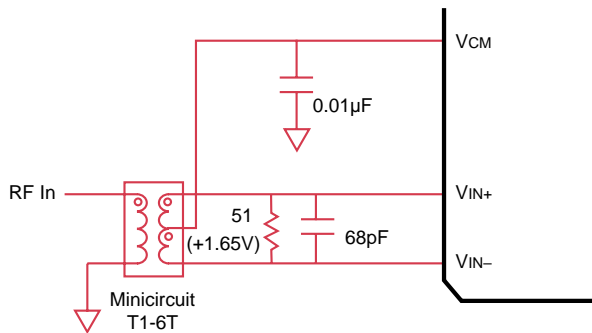


Figure 3-1. ADS-238Q Transformer Coupled Input

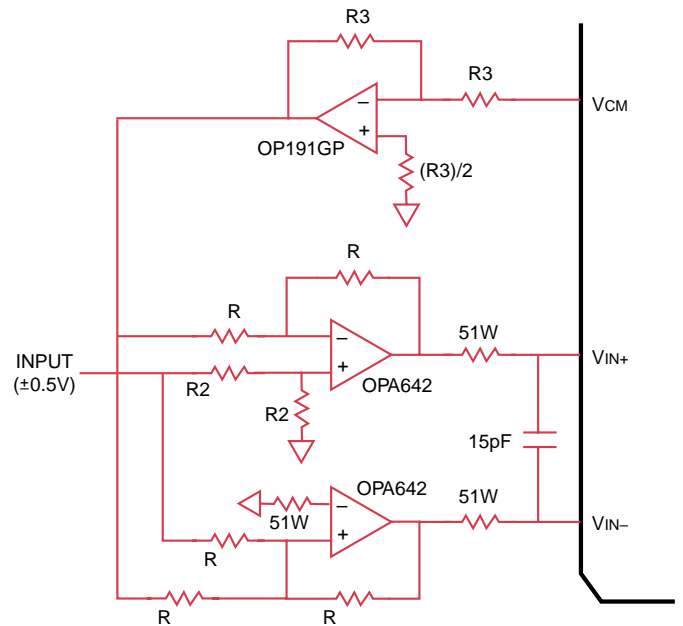


Figure 3-2. ADS-238Q DC Coupled Single Ended Input

Common Mode Voltage Reference

The ADS-238Q has an internal common mode reference voltage, V_{CM} (pin 18). This reference voltage is typically one half of the supply voltage and is capable of driving loads up to 20 μ A. This reference is used to drive the center tap in the transformer used in fully differential applications, or provide level shifting in single-ended to differential applications.

Table 1. Sample Rate Bias Current Settings

SAMPLE RATE (MHz)	BIAS1 (μ A)	BIAS2 (μ A)
1	20	3.5
5	50	6.5
10	80	8.0
20	90	9.5

Bias Current Inputs

The bias currents shown in Table I, Sample Rate Bias Current Settings, and Figure 4, Suggested Bias Currents vrs Sample Rate, are designed to optimize performance of the ADS-238Q for a given sample rate.

Figure 5, Bias Current Determination and Adjustment, details the suggested circuits for measuring bias voltage drops to calculate the bias currents. Adjustments to the bias currents are made via the trim pots. The Bias1 voltage drop is measured across TP1A and TP1B. The Bias2 voltage drop is measured across TP2A and TP2B. Figures 6-1 and 6-2 show the relationship between the bias currents and voltages when measured in the indicated circuit. The Bias1 and Bias2 pins should be by-passed with 0.01 μ F capacitors.

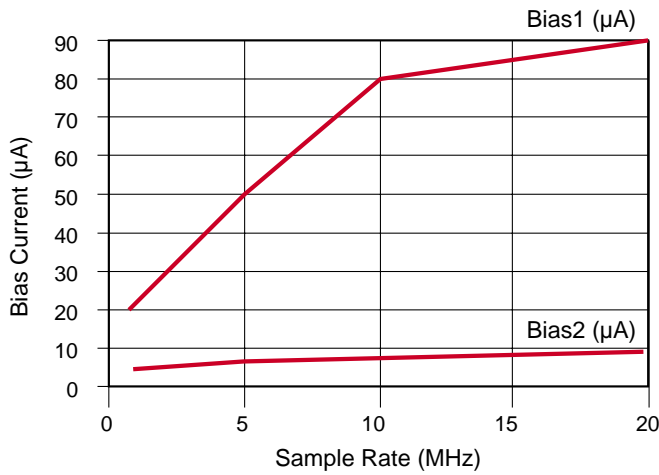


Figure 4. Suggested Bias Current vrs Sample Rate

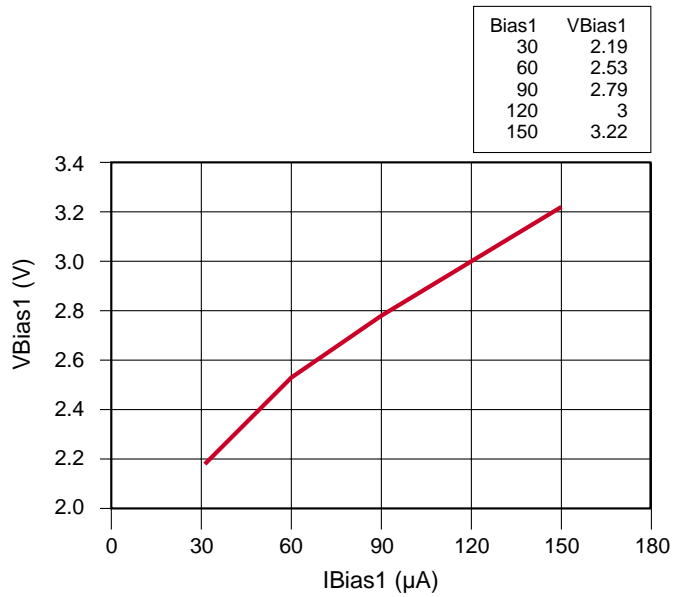


Figure 6-1. Bias1 Voltage vrs Bias1 Current

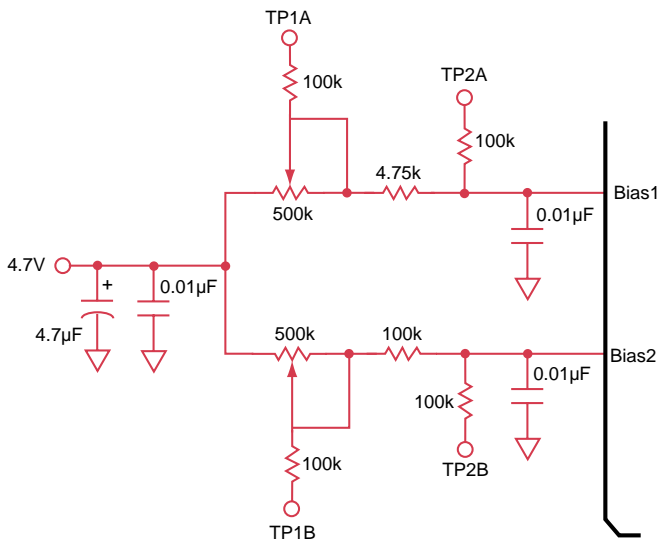


Figure 5. Bias Current Determination and Adjustment

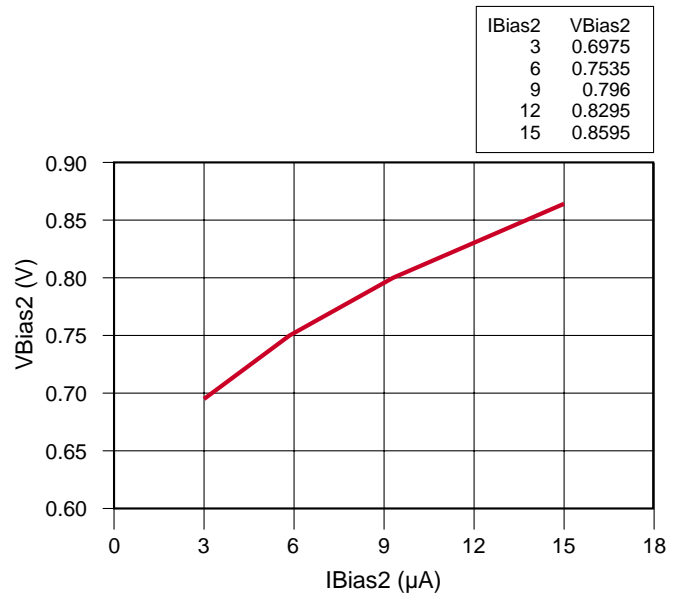


Figure 6-2. Bias2 Voltage vrs Bias2 Current

Clock

The ADS-238Q accepts a low voltage CMOS logic level at the clock input (CLK, pin 2). The clock duty cycle must be held to within 50% +/-3% because consecutive stages of the A-to-D are clocked in opposite phase. A duty cycle other than this will reduce the settling time available for every other stage, thereby degrading dynamic performance.

For optimum performance at high input frequencies the clock must have low jitter, and rise/fall times less than 2ns. Over/undershoot should be avoided. Clock jitter causes the noise floor to increase proportional to the input frequency. To reduce crosstalk, and hence jitter, clock traces on the PC board should be kept as short as possible with transmission line practices employed.

Digital Outputs

The digital output data is provided in offset binary format, at 3.3V CMOS logic levels, and is available 7.5 clock cycles after the data is sampled. The output data is invalid for the first 20 clock cycles when the ADS-238Q is first powered up.

The clock to output delay is typically 8ns, but will change as a function of the supply voltage, V_s . Figure 7, Clock to Output Delay vrs V_s , shows this relationship.

A negative full scale input results in an all zeros output code (0000 0000 0000). A positive full scale input results in an all ones output code (1111 1111 1111).

The input is sampled during the high-to-low transition of the input clock. Output data should be latched during the low-to-high clock transition as shown in Figure 8, Timing Diagram.

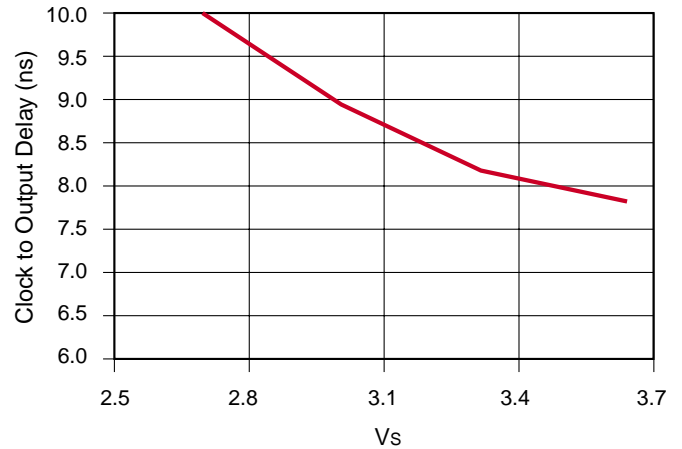


Figure 7. Clock to Output Delay vrs V_s

Power Supplies and Grounding

The ADS-238Q is powered from a single 3.3V supply. The converters should be mounted on a board that provides separate low impedance paths for the analog and digital supplies and grounds. For best performance the 3.3V supply should be clean, and linearly regulated. The power supply should be bypassed to ground with a 10 μ F tantalum capacitor in parallel with a 0.01 μ F ceramic capacitor. Locate the bypass capacitors as close to the converter as possible. Analog and digital grounds should be isolated with a ferrite bead. See the Typical Connection Diagram, Figure 2.

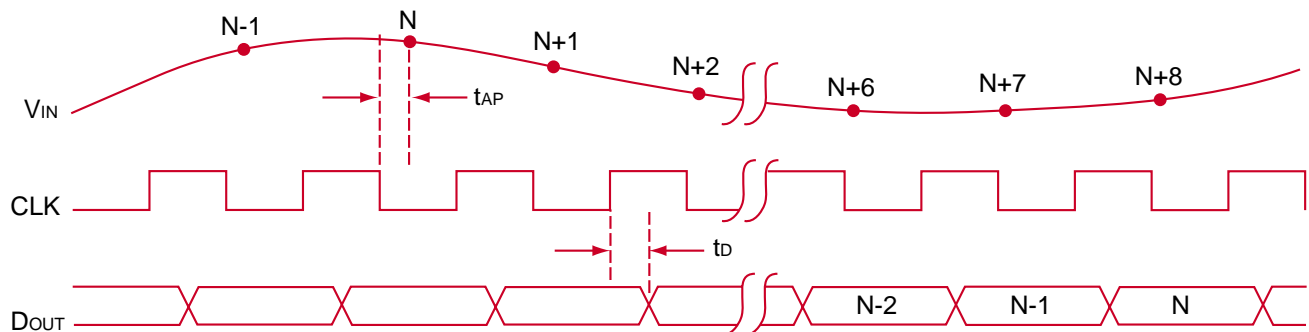


Figure 8. ADS-238Q Timing Diagram

TYPICAL PERFORMANCE CHARACTERISTICS

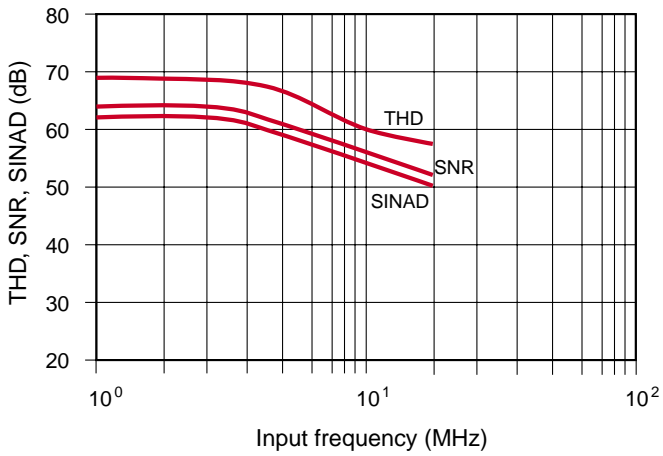
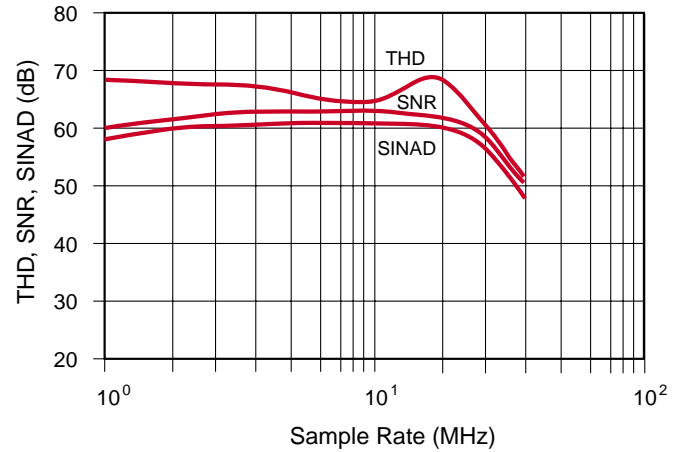


Figure 9-1. THD, SNR, SINAD vs Input Frequency



Note: Bias1 and Bias2 currents optimized for each sample rate
 Figure 9-2. THD, SNR, SINAD vs Sample Rate

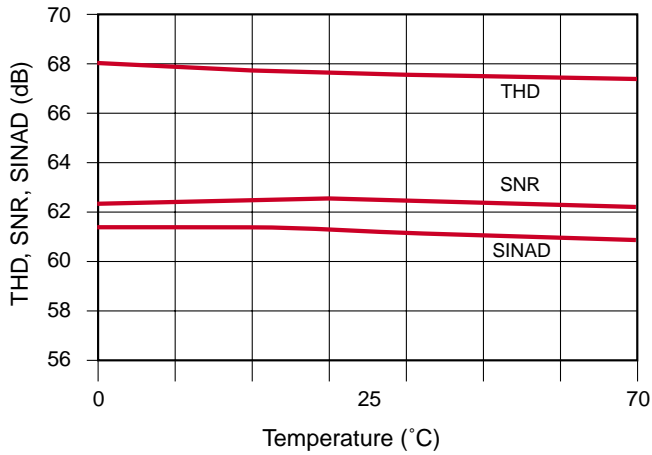


Figure 9-3. THD, SNR, SINAD vs Temperature

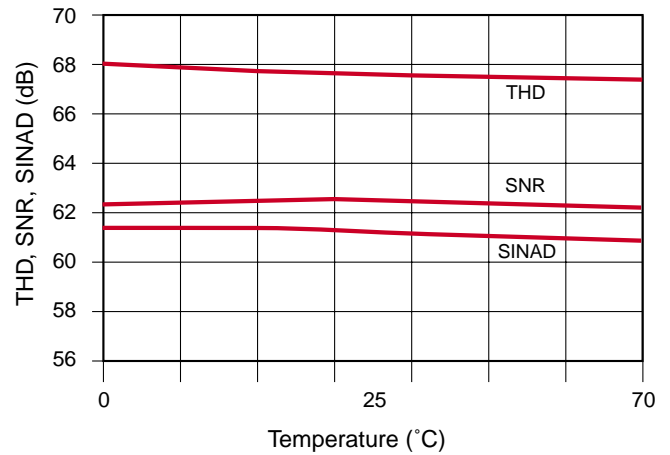


Figure 9-4. THD, SNR, SINAD vs Clock Duty Cycle

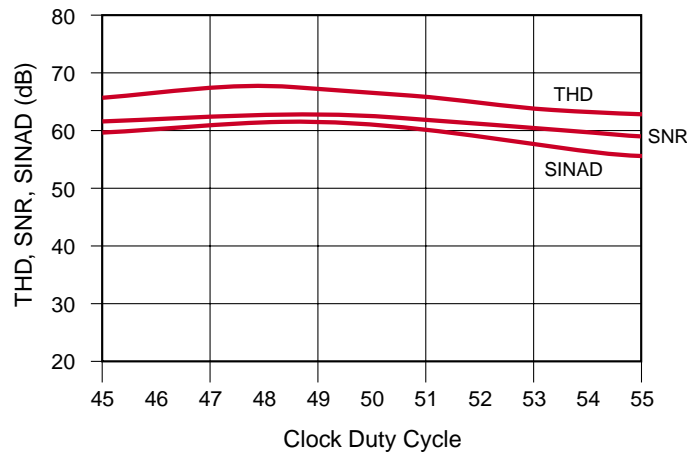
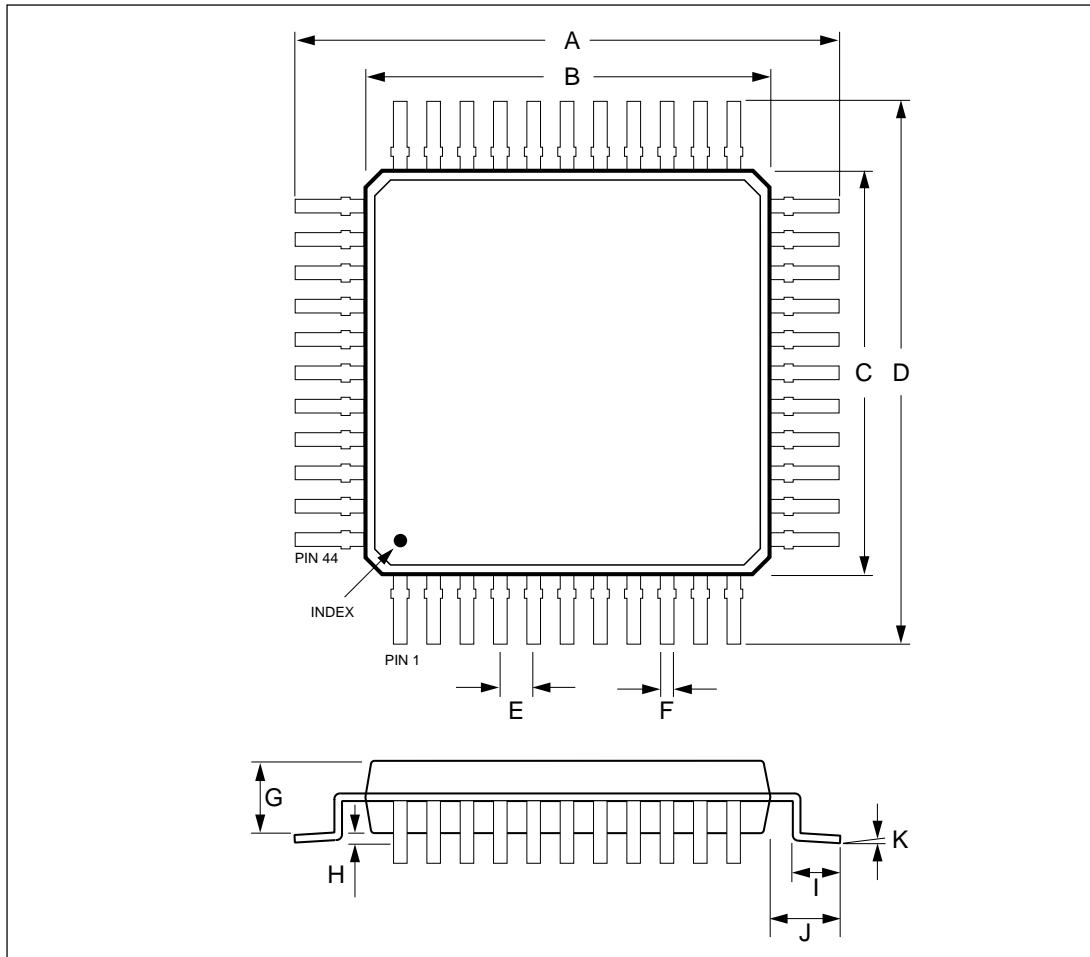


Figure 9-5. Power Dissipation vs Sample Rate

MECHANICAL DIMENSIONS INCHES (mm)



Symbol	Inches		Millimeters	
	Min.	Max.	Min.	Max.
A	0.472 Typ.	--	12.00 Typ.	--
B	0.394 Typ.	--	10.00 Typ.	--
C	0.394 Typ.	--	10.00 Typ.	--
D	0.472 Typ.	--	12.00 Typ.	--
E	0.031 Typ.	--	0.80 Typ.	--
F	0.012	0.018	0.300	0.45
G	0.053	0.057	1.35	1.45
H	0.002	0.006	0.05	0.15
I	0.018	0.030	0.450	0.750
J	0.039 Typ.	--	1.00 Typ.	--
K	0-7°	--	0-7°	--

ORDERING INFORMATION

MODEL	OPERATING TEMP. RANGE	PACKAGE
ADS-238Q	0 to +70 °C	44-PIN PLASTIC TQFP