

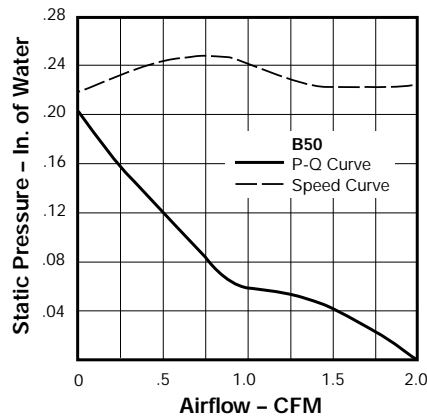
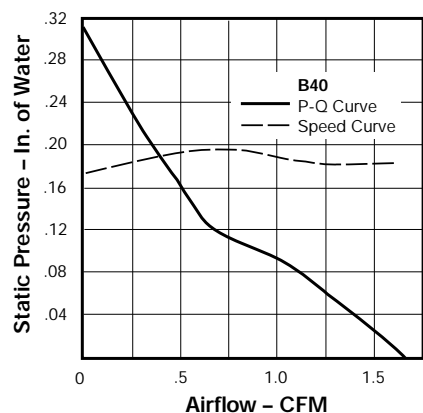
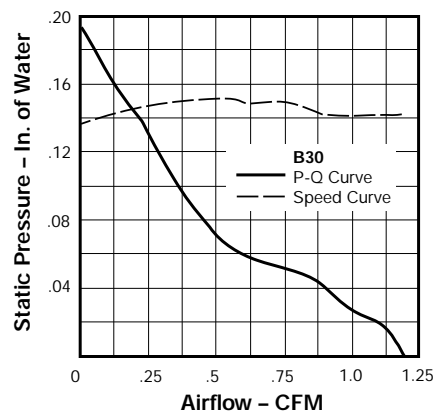
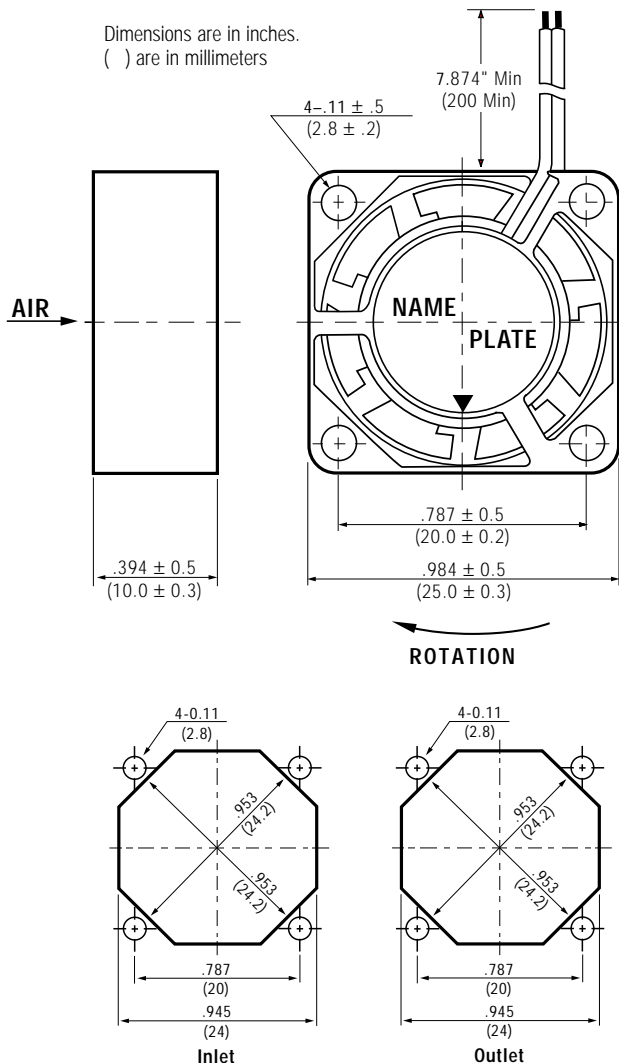
Axial Fans



Shown Actual Size

Features / Benefits

- Size: .984 in sq. x .394 in (25mm sq. X 10mm)
- Low Noise Levels: 20-25 dB(A)
- Low Weight: 0.263oz (7.5g)
- Long life and quiet operation guaranteed by dual ball bearing design
- Temperature range: -10°C to +70°C (operating range)
- Meets UL/CSA, VDE, CE requirements
- Airflow: 1.2-2.0 CFM
- Lead Wires: AWG 26, Red/Black/UL1061
- Applications: Pentium™ Class Notebooks, Set Top Boxes, Docking Stations, and Telephone Packs



MODEL NUMBER	VOLTAGE (V)	POWER (W)	CURRENT (mA)	SPEED (RPM)	NOISE (dBA)	PRESSURE (in H ₂ O)	AIRFLOW (CFM)
1004KL-01W-B30-L00	5	0.325	65	7000	20.0	0.078	1.2
1004KL-01W-B40-L00	5	0.425	85	9000	22.0	0.127	1.62
1004KL-01W-B50-L00	5	0.625	125	11000	25.0	0.203	2.01
1004KL-04W-B30-L00	12	0.42	35	7000	20.0	0.078	1.2
1004KL-04W-B40-L00	12	0.54	45	9000	22.0	0.127	1.62
1004KL-04W-B50-L00	12	0.72	60	11000	25.0	0.203	2.01

