

# VRM 8.5 Synchronous PWM Buck Converter Controller and Output Voltage Monitor

## General Description

The RT9224E is a high speed switching controller designed for use in Synchronous DC/DC buck converter for modern CPUs. The regulated output voltage is digitally programmable from 1.05V to 1.825V by a 5-bit DAC which provides initial accuracy of  $\pm 1\%$ . The RT9224E drives two external N-Channel MOSFETs, providing high efficiency and eliminating the need for high cost P-Channel devices. It senses the output current across the on-resistance of the N-channel MOSFET and provides an adjustable current limit without external sense resistor.

RT9224E monitors the output voltage and provides the output signal for power-good and over-voltage protections. The switching frequency is 200kHz. The high switching frequency cooperating with a high speed error amplifier maintains a fast response to the dynamic load of modern CPUs.

## Ordering Information

RT9224E □ □

- Package Type  
S : SOP-20
- Operating Temperature Range  
C : Commercial Standard  
P : Pb Free with Commercial Standard

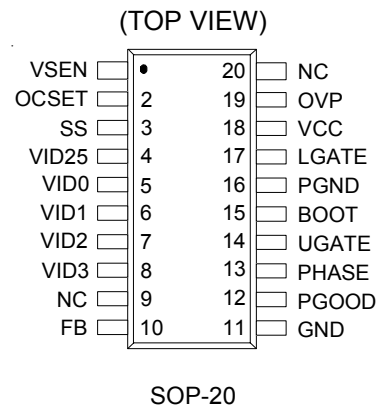
## Features

- Simple Voltage-Mode PWM Control with Buck Rectification
- $\pm 1\%$  DAC Output Voltage Accuracy
- 5-Bit Digital-to-Analog Output Voltage Range from 1.05V to 1.825V
- Fast Transient Response and Excellent Output Voltage Regulation
- Fault Protection for Over-Voltage and Over-Current
- Power-Good Output Voltage Monitor

## Applications

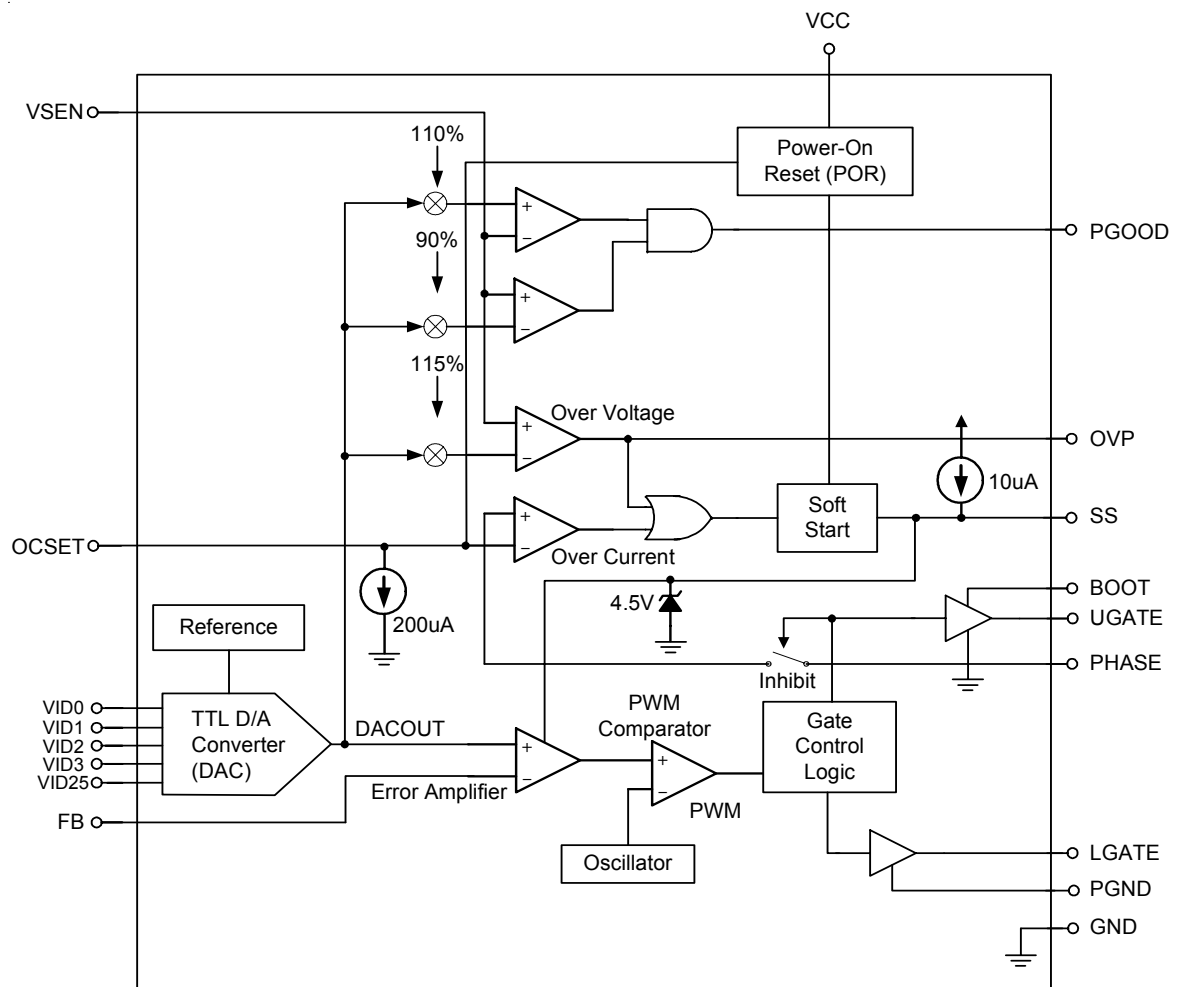
- Power Supply for VRM 8.5 Microprocessors
- Low-voltage Distributed Power Supplies
- High Power 5V to 1.05V to 1.85V Switching Regulator

## Pin Configurations





**Function Block Diagram**



## Functional Pin Description

Pin No.	Pin Name	Pin Function
1	VSEN	Output Voltage Monitoring Input for OVP and PGOOD
2	OCSET	Over current set pin, sinks 200 $\mu$ A through a resistor ( $R_{OCS}$ ) from this upper N-MOSFET to set the trip point: $I_{PEAK} = \frac{200\mu A \times R_{OCS}}{\text{MOSFET - on resistance}}$ An over-current trip cycles the soft-start function
3	SS	Soft start speed is set by internal 10 $\mu$ A current source and capacitor from this pin to GND
4	VID25	Switching regulator output voltage setting
5	VID0	Switching regulator output voltage setting
6	VID1	Switching regulator output voltage setting
7	VID2	Switching regulator output voltage setting
8	VID3	Switching regulator output voltage setting
9,20	NC	No connection
10	FB	Feedback input pin
11	GND	IC signal ground
12	PGOOD	Open drain logic output This pin is pulled low when the converter output is not within $\pm 10\%$ of the DACOUT reference voltage
13	PHASE	Current limit sense input
14	UGATE	High side driver output
15	BOOT	Driver power
16	PGND	Low-side driver GND
17	LGATE	Low side driver output
18	VCC	Power supply input
19	OVP	Over voltage protection This pin is pulled high when the VSEN voltage is over 15% of the DACOUT reference voltage

**Table 1 Output Voltage Program**

Pin Name					Nominal Output Voltage DACOUT
VID25	VID3	VID2	VID1	VID0	
0	0	1	0	0	1.050V
1	0	1	0	0	1.075V
0	0	0	1	1	1.100V
1	0	0	1	1	1.125V
0	0	0	1	0	1.150V
1	0	0	1	0	1.175V
0	0	0	0	1	1.200V
1	0	0	0	1	1.225V
0	0	0	0	0	1.250V
1	0	0	0	0	1.275V
0	1	1	1	1	1.300V
1	1	1	1	1	1.325V
0	1	1	1	0	1.350V
1	1	1	1	0	1.375V
0	1	1	0	1	1.400V
1	1	1	0	1	1.425V
0	1	1	0	0	1.450V
1	1	1	0	0	1.475V
0	1	0	1	1	1.500V
1	1	0	1	1	1.525V
0	1	0	1	0	1.550V
1	1	0	1	0	1.575V
0	1	0	0	1	1.600V
1	1	0	0	1	1.625V
0	1	0	0	0	1.650V
1	1	0	0	0	1.675V
0	0	1	1	1	1.700V
1	0	1	1	1	1.725V
0	0	1	1	0	1.750V
1	0	1	1	0	1.775V
0	0	1	0	1	1.800V
1	0	1	0	1	1.825V

Note: (1) 0:Connected to GND (2) 1:Open

**Absolute Maximum Ratings**

- Supply Voltage ----- +15V
- Boot Voltage ----- +15V
- Input, Output or I/O Voltage ----- GND -0.3V to V<sub>CC</sub> + 0.3V
- Storage Temperature Range ----- -65°C to 150°C
- Package Thermal Resistance  
SOP-20, θ<sub>JA</sub> ----- 87°C/W

**Recommended Operating Conditions**

- Supply Voltage ----- +12V ±10%
- Ambient Temperature Range ----- 0°C to 70°C
- Junction Temperature Range ----- 0°C to 125°C

**Electrical Characteristics**

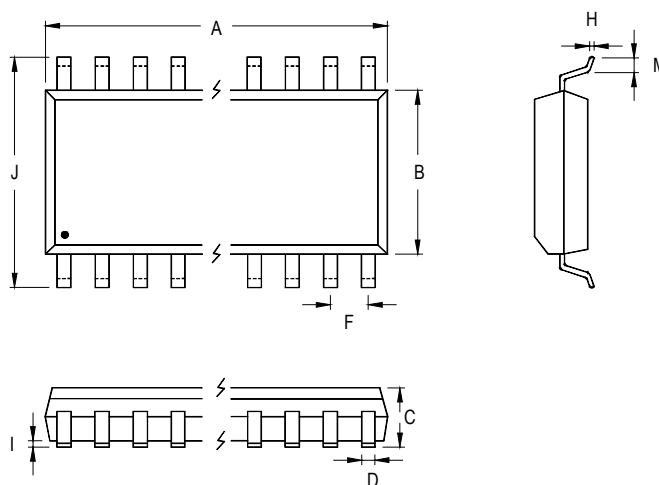
(T<sub>A</sub> = 25°C, recommended operating conditions, unless otherwise specified)

Parameter	Symbol	Test Conditions	Min	Typ	Max	Units
<b>VCC Supply Current</b>						
Nominal Supply	I <sub>CC</sub>	UGATE and LGATE	--	3	--	mA
<b>Power-on Reset</b>						
VCC Rising Threshold		V <sub>OCSET</sub> = 4.5V	--	9.5	--	V
VCC Falling Threshold		V <sub>OCSET</sub> = 4.5V	--	7.5	--	V
Rising V <sub>OCSET</sub> Threshold			--	1.6	--	V
<b>Oscillator</b>						
Free Running Frequency			170	200	230	kHz
Ramp Amplitude	ΔV <sub>OSC</sub>		--	1.9	--	V <sub>P-P</sub>
<b>Reference and DAC</b>						
DAC (VID0-VID25) Input Low Voltage			--	--	0.8	V
DAC (VID0-VID25) Input High Voltage			2.0	--	--	V
DACOUT Voltage Accuracy			-1.0	--	+1.0	%
<b>Error Amplifier</b>						
DC Gain			--	65	--	dB
<b>Gate Drivers</b>						
UGATE Source	R <sub>UGATE</sub>	V <sub>BOOT</sub> - V <sub>PHASE</sub> = 12V	--	8	--	Ω
UGATE Sink	R <sub>UGATE</sub>	V <sub>UGATE</sub> - V <sub>PHASE</sub> = 1V	--	5	--	Ω
LGATE Source	I <sub>LGATE</sub>	V <sub>CC</sub> = 12V, V <sub>LGATE</sub> = 6V	--	500	--	mA
LGATE Sink	R <sub>LGATE</sub>	V <sub>LGATE</sub> = 1V	--	5	--	Ω

*To be continued*

Parameter	Symbol	Test Conditions	Min	Typ	Max	Units
<b>Protection</b>						
Over-voltage Trip (VSEN/DACOUT)			--	115	120	%
OCSET Current Source	I <sub>OCSET</sub>	V <sub>OCSET</sub> = 4.5V	167	200	233	μA
OVP Sourcing Current	I <sub>OVP</sub>	V <sub>SEN</sub> = 5.5V, V <sub>OVP</sub> = 0V	60	--	--	mA
Soft-Start Current	I <sub>SS</sub>	V <sub>SS</sub> = 1.5V	--	10	--	μA
<b>Power Good</b>						
Upper Threshold (VSEN/DACOUT)		VSEN Rising	106	--	114	%
Lower Threshold (VSEN/DACOUT)		VSEN Falling	89	--	96	%
Hysteresis (VSEN/DACOUT)		Upper and Lower Threshold	--	2	--	%
PGOOD Voltage Low	V <sub>PGOOD</sub>	I <sub>CPGOOD</sub> = -5mA	--	0.5	--	V

## Outline Dimension



Symbol	Dimensions In Millimeters		Dimensions In Inches	
	Min	Max	Min	Max
A	12.598	13.005	0.496	0.512
B	7.391	7.595	0.291	0.299
C	2.362	2.642	0.093	0.104
D	0.330	0.508	0.013	0.020
F	1.194	1.346	0.047	0.053
H	0.229	0.330	0.009	0.013
I	0.102	0.305	0.004	0.012
J	10.008	10.643	0.394	0.419
M	0.381	1.270	0.015	0.050

**20-Lead SOP Plastic Package**

### RICHTEK TECHNOLOGY CORP.

Headquarter

5F, No. 20, Taiyuen Street, Chupei City

Hsinchu, Taiwan, R.O.C.

Tel: (8863)5526789 Fax: (8863)5526611

### RICHTEK TECHNOLOGY CORP.

Taipei Office (Marketing)

8F-1, No. 137, Lane 235, Paochiao Road, Hsintien City

Taipei County, Taiwan, R.O.C.

Tel: (8862)89191466 Fax: (8862)89191465

Email: marketing@richtek.com