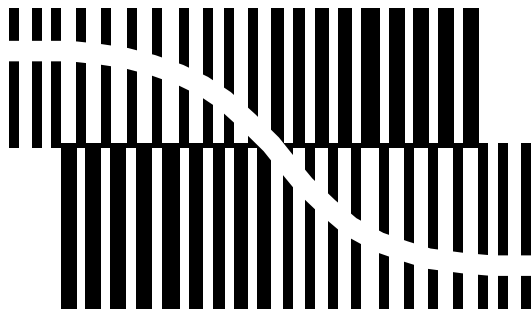


DATA SHEET



BITSTREAM CONVERSION

TDA1546T

Bitstream Continuous Calibration
DAC with digital sound processing
(BCC-DAC)

Preliminary specification
File under Integrated Circuits, IC01

January 1995

Philips Semiconductors

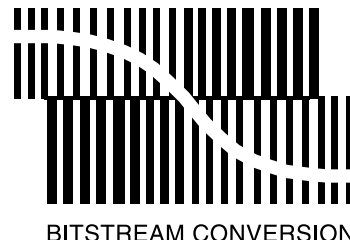


PHILIPS

Bitstream Continuous Calibration DAC with digital sound processing (BCC-DAC)

TDA1546T

CONTENTS



1	FEATURES	
1.1	Easy application	
1.2	High performance	
1.3	Digital sound processing features	
1.3.1	Volume control features	
1.3.2	Sound processing features	
1.3.3	Sound monitor features	
2	ORDERING INFORMATION	
3	QUICK REFERENCE DATA	7.3.3.22
4	GENERAL DESCRIPTION	
5	BLOCK DIAGRAM	7.4
6	PINNING	7.4.1
7	FUNCTIONAL DESCRIPTION	7.5
7.1	Clock generation and distribution	7.6
7.2	Power-on reset	7.6.1
7.3	Microprocessor interface	7.6.2
7.3.1	Address mode	7.7
7.3.2	Data transfer mode	7.7.1
7.3.3	Organization and programming of the internal register file	7.7.2
7.3.3.1	Volume control register bits: BAL3 to BAL0 and BAR3 to BAR0	7.7.3
7.3.3.2	Volume control register bits: VC7 to VC0 and FT3 to FT0	7.7.4
7.3.3.3	Volume control register bit: MUTE	7.8
7.3.3.4	Volume control register bit: RUNFA	7.8.1
7.3.3.5	Sound monitor register bits: FP2 to FP0	7.8.2
7.3.3.6	Sound monitor register bits: OVER3 to OVER0	7.8.3
7.3.3.7	Sound monitor register bits: SIL3 to SIL0 and SILT3 to SILT0	7.8.4
7.3.3.8	Sound monitor register bit SPOS	7.8.5
7.3.3.9	Sound processing register bit: DSS	7.8.6
7.3.3.10	Sound processing register bits: SCT3 to SCT0	7.9
7.3.3.11	Sound processing register bits: SCB3 to SCB0	7.9.1
7.3.3.12	Sound processing register bits: SCBB3 to SCBB0	7.9.2
7.3.3.13	Sound processing register bits: DEMC1 and DEMC0	7.9.3
7.3.3.14	Sound processing register bit: DSM	7.9.4
7.3.3.15	Miscellaneous register bits: ED3 to ED0	7.9.5
7.3.3.16	Miscellaneous register bits: EA2 to EA0	7.9.6
7.3.3.17	Miscellaneous register bits: INS1 and INS0	7.10
7.3.3.18	Miscellaneous register bits: PVIV1, PVIV0 and PINM1, PINM0	7.11
7.3.3.19	Miscellaneous register bit: CLRM	7.12
7.3.3.20	Miscellaneous register bits: OUTS1 and OUTS0	7.13
7.3.3.21	Miscellaneous register bit: LONLY	8
		9
		10
		11
		12

**Bitstream Continuous Calibration DAC with
digital sound processing (BCC-DAC)**

TDA1546T

- 13 APPLICATION INFORMATION
- 13.1 Digital filter characteristics (theoretical values)
- 13.2 Example application circuit
- 14 PACKAGE OUTLINE
- 15 SOLDERING
- 15.1 Plastic small-outline packages
- 15.1.1 By wave
- 15.1.2 By solder paste reflow
- 15.1.3 Repairing soldered joints (by hand-held soldering iron or pulse-heated solder tool)
- 16 DEFINITIONS
- 17 LIFE SUPPORT APPLICATIONS
- 18 PURCHASE OF PHILIPS I²C COMPONENTS

Bitstream Continuous Calibration DAC with digital sound processing (BCC-DAC)

TDA1546T

1 FEATURES

1.1 Easy application

- Voltage output 1.5 V (RMS)
- Operational amplifiers and cascaded 4-stage digital FIR filter integrated
- Master and slave mode clock system with selectable system clock (f_{sys}) 256 f_s or 384 f_s
- I²S-bus serial input format or Japanese 16, 18 or 20 bits serial input mode
- All features are accessible under remote control
- Simple 3-line serial microcontroller command interface
- Power-on reset
- 28 lead small outline package.

1.2 High performance

- Superior signal-to-noise ratio
- Low total harmonic distortion
- Wide dynamic range
- No zero crossing distortion
- Continuous calibration digital-to-analog conversion combined with noise shaping techniques
- Second-order noise shaper
- 128 times oversampling in normal-speed mode
- 64 times oversampling in double-speed mode.

1.3 Digital sound processing features

1.3.1 VOLUME CONTROL FEATURES

- Smoothed transitions before and after digital mute (soft mute)
- Fade function: duration-programmable (6 ms to 22.4 s at 44.1 kHz) digital volume control (attenuation as well as gain): +6 dB to –90 dB in steps of 0.375 dB with automatic soft mute
- Digital balance: 0 dB to –22.5 dB in steps of –1.5 dB (maximum overall attenuation combined with volume control: –90 dB)

1.3.2 SOUND PROCESSING FEATURES

- Digital de-emphasis filter for three sample rates (32 kHz, 44.1 kHz or 48 kHz)
- Digital treble: –10.5 dB to +12 dB at 20 kHz; 16 steps spaced at 1.5 dB
- Digital bass: –9 dB to +13.5 dB at 20 Hz; 16 steps spaced at 1.5 dB
- Distortion-free digital dynamic bass boost: 0 dB to +37 dB at 10 Hz; 15 steps spaced at 2 dB
- Can be used for loudness or dynamic digital bass boost
- Double-speed mode (e.g. for high-speed dubbing)
- Pseudo double-speed mode (for power saving application)
- Digital speaker system mode including digital crossover filter.

1.3.3 SOUND MONITOR FEATURES

- Spectrum analyzer for seven different frequency ranges
- Digital silence detection. Level (–48 dB to ∞ dB, in steps of 3 dB) and duration (200 ms to 3.2 s, in steps of 200 ms at 44.1 kHz) programmable. Output via versatile pins.
- Peak level detection and readout to microcontroller (dB linear, 0 dB to –90 dB in steps of 1.5 dB)
- Digital overload detection. Level-programmable (dB linear, –1.5 dB to –46.5 dB, in steps of 3 dB). Output via versatile pins.
- Digital spectrum analyzer by combination of peak detection and 7-band selective filter
- Optional combination spectrum analyzer and overload detection for frequency-dependent overload detection.

2 ORDERING INFORMATION

TYPE NUMBER	PACKAGE		
	NAME	DESCRIPTION	VERSION
TDA1546T	SO28	plastic small outline package; 28 leads; body width 7.5 mm	SOT136-1

Bitstream Continuous Calibration DAC with digital sound processing (BCC-DAC)

TDA1546T

3 QUICK REFERENCE DATA

SYMBOLS	PARAMETER	CONDITIONS	MIN.	TYP.	MAX.	UNIT
V_{DD}	supply voltage	note 1	3.8	5.0	5.5	V
I_{DDD}	digital supply current	note 2	–	40	–	mA
I_{DDA}	analog supply current	note 2	–	5.5	–	mA
I_{DDO}	operational amplifier supply current	note 2	–	6.5	–	mA
I_{DDX}	clock circuitry supply current	note 2	–	1	–	mA
$V_{FS(rms)}$	full-scale output voltage (RMS value)	$V_{DD} = 5\text{ V}$	1.425	1.5	1.575	V
(THD+N)/S	total harmonic distortion plus noise-to-signal ratio	at 0 dB signal level	–	–88	–81	dB
			–	0.004	0.009	%
		at –60 dB signal level; A-weighted	–	–44	–40	dB
S/N	signal-to-noise ratio at bipolar zero	A-weighted; at code 00000H	100	108	–	dB
t_{dg}	group delay	$f_s =$ sample rate; normal-speed	–	$\frac{24}{f_s}$	–	s
BR	input bit rate at data input	$f_s = 48\text{ kHz}$; normal-speed	–	–	3.072	Ms^{-1}
		$f_s = 48\text{ kHz}$; double-speed	–	–	6.144	Ms^{-1}
f_{sys}	system clock frequency		6.4	–	18.432	MHz
TC_{FS}	full-scale temperature coefficient at analog outputs (V_{OL} and V_{OR})		–	$\pm 100 \times 10^{-6}$	–	
T_{amb}	operating ambient temperature		–20	–	+70	$^{\circ}\text{C}$

Notes

1. All V_{DD} and V_{SS} pins must be connected to the same supply or ground respectively.
2. Measured at input code 00000H and $V_{DD} = 5\text{ V}$.

Bitstream Continuous Calibration DAC with digital sound processing (BCC-DAC)

TDA1546T

4 GENERAL DESCRIPTION

The TDA1546T is the first Bitstream Continuous Calibration digital-to-analog converter (BCC-DAC) to feature unique signal processing functions. In addition to the basic functions of digital filtering and digital-to-analog conversion, it offers such advanced digital signal processing functions as volume control, tone control, bass boost, peak or spectrum analyzer readout and many more convenient functions. The digital processing features are of high sound quality due to the wide dynamic range of the bitstream conversion technique.

The TDA1546T accepts I²S-bus data input formats with word lengths of up to 20 bits and various Japanese serial data input formats with word lengths of 16, 18 and 20 bits. The circuit can operate as a master or slave with different system clocks (256f_s or 384f_s) and is therefore, eminently suitable for use in various applications such as DCC, CD, DAT and MD.

The range of applications is further extended by an incorporated Digital Speaker System mode (DSS) with digital crossover filter.

Four cascaded FIR filters and a sample-and-hold function increase the oversampling rate from 1f_s to 96f_s (384f_s system clock) or 128f_s (256f_s system clock). A second-order noise shaper converts this oversampled data to a bitstream for the 5-bit DACs.

The DACs are of the continuous calibration type and incorporate a special data coding technique, which contributes to a high signal-to-noise ratio and dynamic range.

On-board amplifiers convert the output current to a voltage signal capable of driving a line output. Externally connected capacitors perform the required first-order filtering. Additional post filtering is not required.

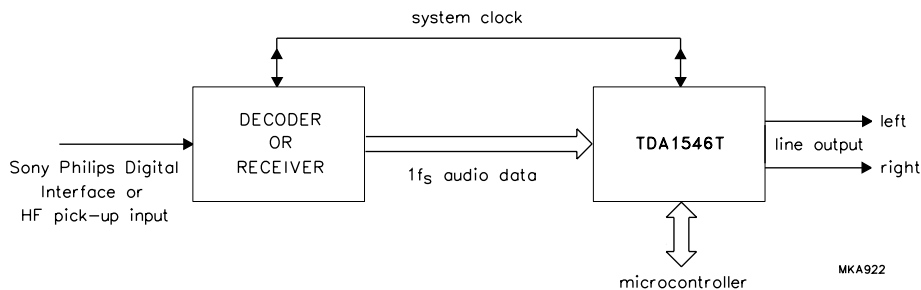


Fig.1 Digital audio reconstruction system using the TDA1546T.

Bitstream Continuous Calibration DAC with digital sound processing (BCC-DAC)

TDA1546T

5 BLOCK DIAGRAM

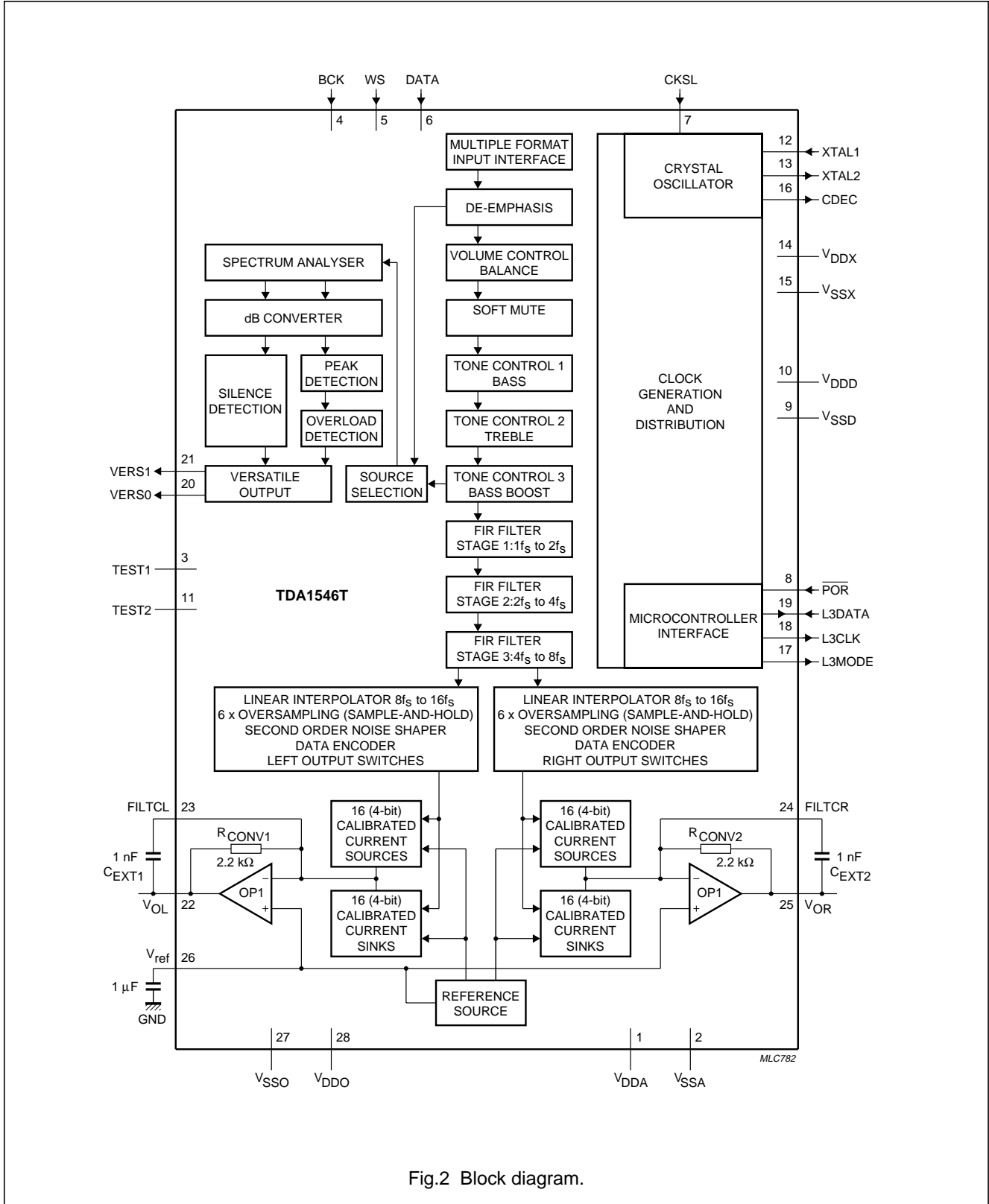


Fig.2 Block diagram.

Bitstream Continuous Calibration DAC with digital sound processing (BCC-DAC)

TDA1546T

6 PINNING

SYMBOL	PIN	DESCRIPTION
V _{DDA}	1	Analog supply voltage
V _{SSA}	2	Analog ground
TEST1	3	Test input 1. This pin should be connected to ground.
BCK	4	Bit clock input
WS	5	Word select input
DATA	6	Data input
CKSL	7	System clock frequency selection input
$\overline{\text{POR}}$	8	Power-on reset (active LOW). Internal pull-up resistor allows timed operation in combination with external capacitor.
V _{SSD}	9	Digital ground
V _{DDD}	10	Digital supply voltage
TEST2	11	Test input 2. This pin should be connected to ground.
XTAL1	12	Crystal oscillator input in master mode or external clock input in slave mode
XTAL2	13	Crystal oscillator drive output to crystal
V _{DDX}	14	Crystal oscillator supply voltage
V _{SSX}	15	Crystal oscillator ground
CDEC	16	System clock output
L3MODE	17	Identification of the L3-bus operation mode
L3CLK	18	Bit clock for synchronization of microcontroller data transfer
L3DATA	19	Bidirectional data line intended for control data from the microcontroller and peak data from the TDA1546T
VERS0	20	Versatile output 0 for silence or overload detection. Can be used to drive an LED.
VERS1	21	Versatile output 1 for silence or overload detection. Can be used to drive an LED.
V _{OL}	22	Left channel audio voltage output
FILTCL	23	Capacitor for left channel first-order filter function should be connected between this pin and V _{OL} (pin 22).

SYMBOL	PIN	DESCRIPTION
FILTCR	24	Capacitor for right channel first-order filter function should be connected between this pin and V _{OR} (pin 25).
V _{OR}	25	Right channel audio voltage output
V _{ref}	26	Decoupling pin for internal reference voltage, $\frac{1}{2}V_{DDA}$ (typ)
V _{SSO}	27	Internal operational amplifier ground
V _{DDO}	28	Internal operational amplifier supply voltage

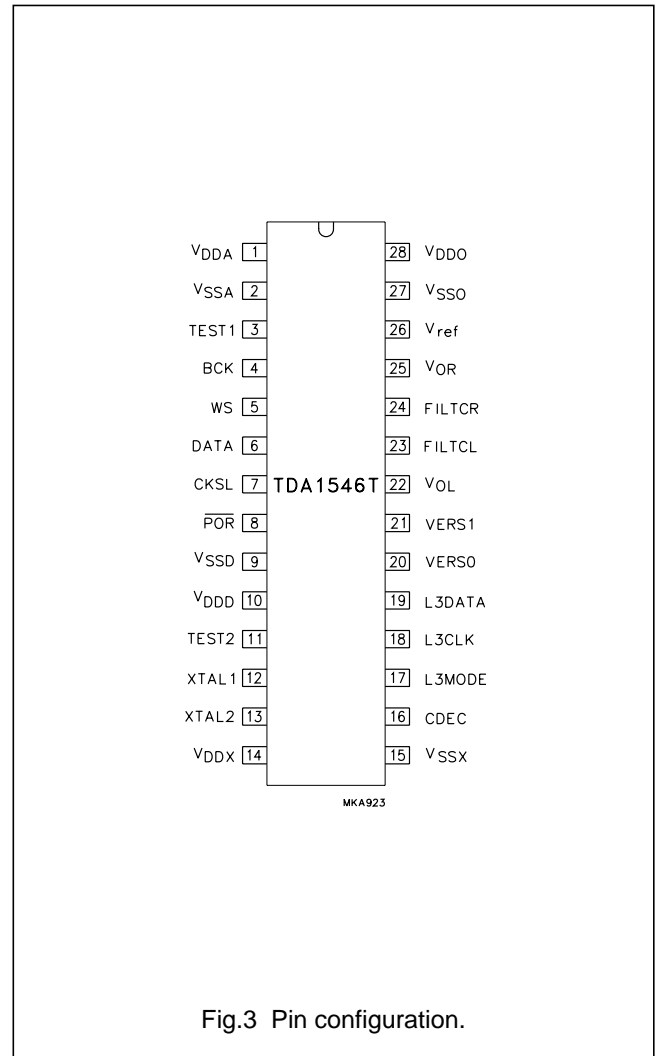


Fig.3 Pin configuration.

Bitstream Continuous Calibration DAC with digital sound processing (BCC-DAC)

TDA1546T

7 FUNCTIONAL DESCRIPTION

The TDA1546T CMOS digital-to-analog bitstream converter incorporates an up-sampling digital filter and noise shaper which increase the oversample rate of $1f_s$ input data to $128f_s$ in the normal-speed mode. This high-rate oversampling, together with the 5-bit DAC, enables the filtering required for waveform smoothing and out-of-band noise reduction to be achieved by simple first-order analog post-filtering.

In the double-speed mode, the input sample frequency is twice that of the normal-speed mode, as is the signal bandwidth. The TDA1546T is able to distinguish between the two modes (by means of a special programming bit), so that in the double-speed mode, only half the amount of oversampling is applied, and digital filtering is applied over double the bandwidth compared to normal-speed. Thus in the double-speed mode, the input sample rate of $1f_s$ input data is up-sampled by a factor $64f_s$, achieving the same absolute output sample frequency as in normal-speed mode.

In the block diagram, Fig.2, a general subdivision into main functional Sections is illustrated. The actual signal processing takes place in the digital signal processing block. The two blocks named microcontroller interface and clock generation and distribution fulfil a general auxiliary function to the audio data processing path. The microcontroller interface provides access to all the blocks that require, or allow, configuration or selection and processes the data readout from the peak detection block, all via a simple three-line interface. The clock generation and distribution section, which is driven by the external system clock or crystal oscillator, provides the data processing blocks with time bases and controls the system mode dependent frequency settings. The following sections give detailed explanations of the operation of each block and their setting options processed by the microcontroller interface, the use of the microcontroller interface and of the operation of the clock section with its various system settings.

7.1 Clock generation and distribution

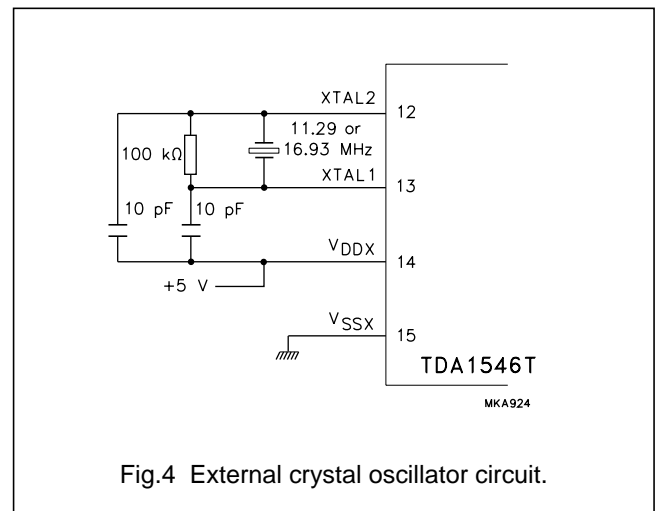
The TDA1546T has an internal clock generator that may be used by connecting a crystal of 11.2896 MHz ($256f_s$) or 16.9344 MHz ($384f_s$) between pins XTAL1 and XTAL2. This mode is used when the TDA1546T is the master in the system. The circuit diagram of Fig.4 shows the typical connection of the external oscillator circuitry for master mode operation.

Alternatively, the TDA1546T can also operate in slave mode. Figure 5 shows how to connect for slave mode operation. In this mode, pin XTAL1 receives an input clock of 256 or $384f_s$ ($f_s = 32, 44.1$ or 48 kHz) and voltage levels of 0 V to 5 V by AC coupling and attenuation.

The CDEC output (pin 16) contains a buffered version of the system clock for external use. The clock selection pin CKSL is used to select between system clock frequency ratios. Its effect is shown in Table 1.

Table 1 System clock selection

PIN CKSL	SYSTEM CLOCK	CDEC OUTPUT
0	$256f_s$	$256f_s$
1	$384f_s$	$384f_s$



Bitstream Continuous Calibration DAC with digital sound processing (BCC-DAC)

TDA1546T

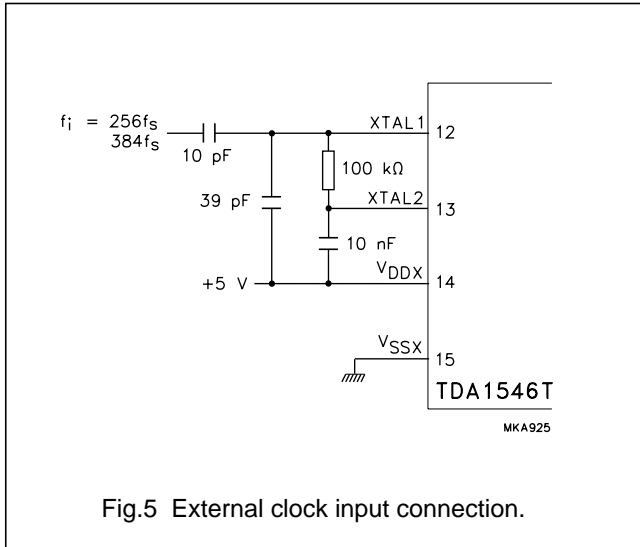


Fig.5 External clock input connection.

7.2 Power-on reset

The internal register file of the TDA1546T is initialized by a power-on reset sequence which can be instigated via the $\overline{\text{POR}}$ input pin 8. A LOW input on $\overline{\text{POR}}$ causes the reset sequence to be active. This input has an internal resistance to V_{DD} to allow for passive use with only an external capacitor connected between this pin and ground. For correct detection by the TDA1546T internal controller, the system clock must be running, and $\overline{\text{POR}}$ should remain LOW for at least one audio sample period before being returned HIGH. Following detection another audio sample period is needed to complete the initialization procedure, after which the values of the various control bits in the internal register file are at their predefined initial values (see Section 7.3).

7.3 Microprocessor interface

The exchange of data and control information between the TDA1546T and a microcontroller is accomplished through a serial hardware interface comprising the following pins:

- L3DATA: microcontroller interface bidirectional data line.
- L3CLK: microcontroller interface clock line.
- L3MODE microcontroller interface mode line.

Information transfer through the microcontroller bus is organized according to the so-called 'L3' format, in which two different modes of operation can be distinguished; address mode and data transfer mode.

The address mode is required to select a device communicating via the L3-bus and to determine the direction of data transfer in data transfer mode. Data transfer for the TDA1546T can be in two directions, input to the TDA1546T to program its sound processing and other functional features, and output from the TDA1546T for transfer of audio peak data, which it has acquired and processed, to the system microcontroller.

7.3.1 ADDRESS MODE

The address mode is used to select a device for subsequent data transfer and to define the direction of that transfer as well as the source or destination registers. The address mode is characterized by L3MODE being LOW and a burst of 8 clock pulses on L3CLK, accompanied by 8 data bits. The fundamental timing is shown in Fig.6.

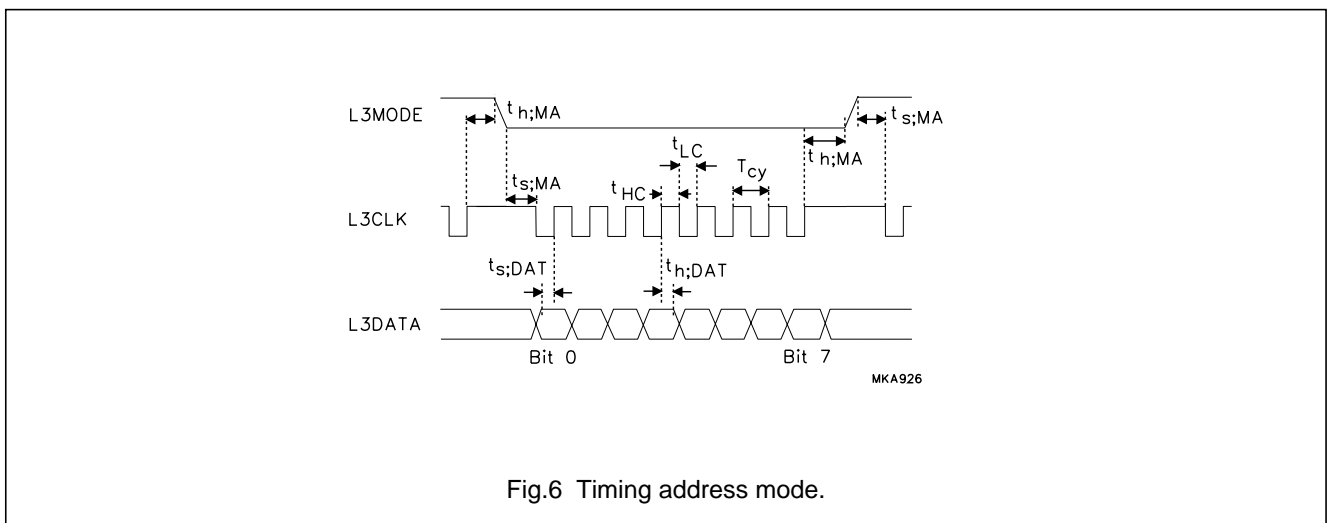


Fig.6 Timing address mode.

Bitstream Continuous Calibration DAC with digital sound processing (BCC-DAC)

TDA1546T

Data bits 0 to 1 indicate the type of the subsequent data transfer as shown below in Table 2. The direction of the channel status and user data transfers depends on the transmit/receive mode.

Table 2 Selection of data exchange

BIT 1 ⁽¹⁾	BIT 0	TRANSFER	DIRECTION
X	0	data to TDA1546T	input
X	1	data from TDA1546T	output

Note

- Where X = don't care.

Data bits 2 to 7 represent a 6-bit device address, with bit 7 being the MSB and bit 2 the LSB. The address of the

TDA1546T is 000100 (bit 7 to bit 2). In the event that the TDA1546T receives a different address, it immediately 3-states the L3DATA pin and deselects its microcontroller interface logic. A dummy address of 000000 is defined for the deselection of all devices that are connected to the serial microcontroller bus.

7.3.2 DATA TRANSFER MODE

The selection performed in the address mode remains active during subsequent data transfers, until the TDA1546T receives a new address command. The fundamental timing of data transfers is shown in Fig.7, where L3DATA denotes the data from the TDA1546T to the microcontroller (L3DATA write). The timing for the opposite direction is essentially the same as in the address mode (L3DATA read). The maximum input clock and data rate is $64f_s$ (or $32f_s$ when in the double-speed mode).

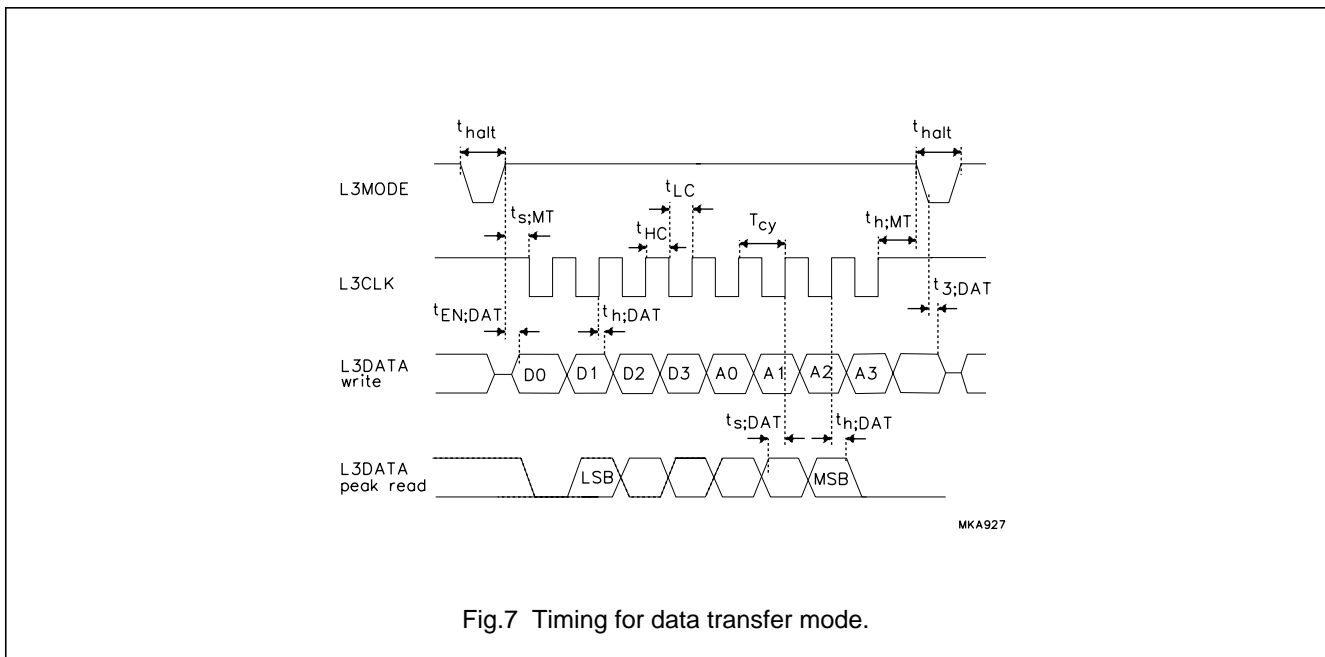


Fig.7 Timing for data transfer mode.

All transfers are bitwise, i.e. they are based on groups of 8 bits. Data will be stored in the TDA1546T after the eighth bit of a byte has been received.

A multi-byte transfer is illustrated in Fig.8. The definition of the L3 protocol allows for a so-called "halt" mode, as some devices which are expected to connect to the same microcontroller bus lines may require an indication of when

8 bits have been transferred. This halt mode option is implemented in the TDA1546T, meaning that subsequent byte transfers must be separated by a period identified as halt mode. A halt mode period is characterized by the following conditions:
 L3MODE = LOW, L3DATA = 3-state and L3CLK = HIGH.

Bitstream Continuous Calibration DAC with digital sound processing (BCC-DAC)

TDA1546T

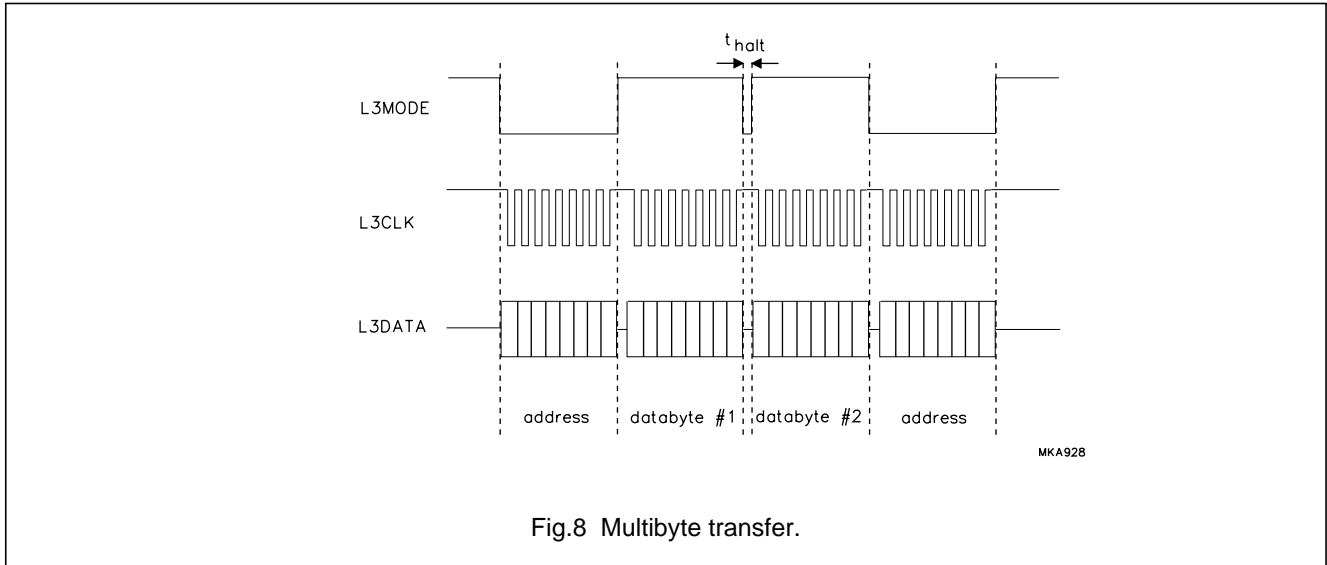


Fig.8 Multibyte transfer.

7.3.3 ORGANIZATION AND PROGRAMMING OF THE INTERNAL REGISTER FILE

Command data received from the microcontroller is stored in an internal register file (see Table 3) which is organized as a page of 16 registers, each containing a 4-bit command data word (D3 to D0).

Access to the words in the register file involves selection of the address of a register location (by means of A3, A2, A1 and A0). A second page of 4 registers is accessible by means of the extended address register bits (EA2, EA1 and EA0) and extended data register bits (ED3, ED2, ED1 and ED0).

Table 3 Microcontroller control register file

ADDRESS				D3	D2	D1	D0	INITIAL STATE	USED FOR
A3	A2	A1	A0						
0	0	0	0	BAL3	BAL2	BAL1	BAL0	1 1 1 1	balance left
		0	1	BAR3	BAR2	BAR1	BAR0	1 1 1 1	balance right
		1	0	VC3	VC2	VC1	VC0	1 1 1 1	volume control
		1	1	VC7	VC6	VC5	VC4	1 1 1 0	volume control
0	1	0	0	FT3	FT2	FT1	FT0	0 0 0 0	fade time
		0	1	DSS	FP2	FP1	FP0	0 0 0 0	digital speaker system; 3 × band-pass
		1	0	OVER3	OVER2	OVER1	OVER0	1 1 1 1	overload
		1	1	SIL3	SIL2	SIL1	SIL0	0 0 0 0	silence level
1	0	0	0	SILT3	SILT2	SILT1	SILT0	0 0 0 0	silence time
		0	1	MUTE	OUTS1	OUTS0	SPOS	0 0 0 0	mute; 2 × output scaling; peak source
		1	0	SCT3	SCT2	SCT1	SCT0	0 1 1 1	treble
		1	1	SCB3	SCB2	SCB1	SCB0	0 1 1 0	bass
1	1	0	0	SCBB3	SCBB2	SCBB1	SCBB0	0 0 0 0	bass boost
		0	1	FSO1	FSO0	DEMC1	DEMC0	0 0 0 0	2 × reserved; 2 × de-emphasis
		1	0	ED3	ED2	ED1	ED0	1 1 1 1	extended data
		1	1	RUNFA	EA2	EA1	EA0	1 1 1 1	run fade; extended address

Bitstream Continuous Calibration DAC with digital sound processing (BCC-DAC)

TDA1546T

Table 4 Extended microcontroller control register file

EXTENDED ADDRESS			ED3	ED2	ED1	ED0	INITIAL STATE	USED FOR
EA2	EA1	EA0						
0	0	0	INS1	INS0	DSM	CLRM	0 0 0 0	input format; double-speed mode; clear memory
0	0	1	PVIV1	PVIV0	PINM1	PINM0	0 0 1 0	polarity and function versatile output pins
0	1	0	LONLY	TRI	ACDT	DCDT	0 0 1 1	left only; 3 × reserved
0	1	1	CLKIV	CLKON	DYC1	DYC0	0 0 0 0	4 × reserved

The following programming values for the various control words in the register file are given below.

7.3.3.1 Volume control register bits: BAL3 to BAL0 and BAR3 to BAR0

Balance: a 4-bit value to program left channel attenuation (BAL3 to BAL0) and a 4-bit value to program right channel attenuation (BAR3 to BAR0). The range is 0 dB to –22.5 dB in steps of 1.5 dB (see Section 7.7.1).

7.3.3.2 Volume control register bits: VC7 to VC0 and FT3 to FT0

Volume control set number: an 8-bit value to program volume control coefficient set (6 dB to –90 dB, in steps of 0.375 dB, VC7 to VC0); a 4-bit value to program fade time (6 ms to 22.4 s, FT3 to FT0) (see Section 7.7.2).

7.3.3.3 Volume control register bit: MUTE

Digital soft mute control bit: logic 1 to activate mute and logic 0 to deactivate (see Section 7.7.3).

7.3.3.4 Volume control register bit: RUNFA

Function control bit: logic 1 to activate the volume control (after new fade time and/or volume control setting) (see Section 7.7.2.).

7.3.3.5 Sound monitor register bits: FP2 to FP0

Frequency range control bits (see Section 7.9.1).

7.3.3.6 Sound monitor register bits: OVER3 to OVER0

Overload detection level (dB linear; 0 dB to –45 dB, in steps of –3 dB) (see Section 7.9.5).

7.3.3.7 Sound monitor register bits: SIL3 to SIL0 and SILT3 to SILT0

Digital silence set numbers: a 4-bit value to program digital silence detection level –48 dB to ∞ dB (SIL3 to SIL0) and a 4-bit value to program digital silence duration 0.2 s to 3.2 s (SILT3 to SILT0) (see Section 7.9.4).

7.3.3.8 Sound monitor register bit SPOS

This bit controls the position of the spectrum analyzer. When SPOS = 1 the position of spectrum analyzer precedes the tone control sections. When SPOS = 0 the position of the spectrum analyzer succeeds the tone control sections.

7.3.3.9 Sound processing register bit: DSS

Digital speaker system programming bit (see Section 7.8.6).

7.3.3.10 Sound processing register bits: SCT3 to SCT0

Treble coefficient set number: a 4-bit value to program digital treble coefficient set (see Section 7.8.2).

7.3.3.11 Sound processing register bits: SCB3 to SCB0

Bass coefficient set number: a 4-bit value to program digital bass coefficient set (see Section 7.8.3).

7.3.3.12 Sound processing register bits: SCBB3 to SCBB0

Bass boost coefficient set number: a 4-bit value to program digital bass boost coefficient set (see Section 7.8.4). This is also used for digital speaker system configuration (see Section 7.8.6).

Bitstream Continuous Calibration DAC with digital sound processing (BCC-DAC)

TDA1546T

7.3.3.13 Sound processing register bits: DEMC1 and DEMC0

De-emphasis function enable and f_s selection bits (see Section 7.8.1).

7.3.3.14 Sound processing register bit: DSM

Double-speed mode control bit: logic 1 to activate double-speed mode, logic 0 to deactivate (see Section 7.6).

7.3.3.15 Miscellaneous register bits: ED3 to ED0

Extended microcontroller control data (see Table 4).

7.3.3.16 Miscellaneous register bits: EA2 to EA0

Extended microcontroller register address (see Table 4).

7.3.3.17 Miscellaneous register bits: INS1 and INS0

Input format selection control bits (see Section 7.4).

7.3.3.18 Miscellaneous register bits: PVIV1, PVIV0 and PINM1, PINM0

These bits control the polarity (PVIV1 and PVIV0) and the output mode (PINM1 and PINM0) of the versatile output pins VERS1 and VERS0 (see Section 7.9.6).

7.3.3.19 Miscellaneous register bit: CLRM

Clear memory register bit: logic 1 to clear entire filter delay line (approximately 2 audio samples).

7.3.3.20 Miscellaneous register bits: OUTS1 and OUTS0

Output scaling factor control bits (see Table 10).

7.3.3.21 Miscellaneous register bit: LONLY

“Left Only” programming bit for use with digital speaker system mode (see Section 7.8.6).

7.3.3.22 Miscellaneous register bits: FSO1, FSO0, TRI, ACDT, DCDT, CLKIV, CLKON, DYC1 and DYC0

Register bits reserved for future use.

7.4 Multiple format input interface

Data input to the TDA1546T is accepted in four possible formats, I²S-bus (with word lengths of up to 20 bits), and LSB fixed formats of word lengths 16, 18 and 20 bits. As the resolution of the TDA1546T is 18 bits, input beyond this number does not affect the audio data processing. The general appearance of the permitted formats is given in Fig.9. The selection of a format is achieved through programming of the appropriate bits in the microcontroller register file. The truth table for these bits, INS1 and INS0, is given in Table 5. Characteristic timing for the input interface is given in the diagram of Fig.9.

Table 5 Input format programming

INS1	INS0	DATA INPUT FORMAT
0	0	I ² S-bus format
0	1	LSB-justified format, 16 bits
1	0	LSB-justified format, 18 bits
1	1	LSB-justified format, 20 bits

7.4.1 SYNCHRONIZATION

For correct data input to reach the central controller of the TDA1546T, synchronization must be achieved on the incoming $1f_s$ I²S-bus or LSB justified format input signals. The incoming WS signal is sampled to detect whether its phase transitions belonging to left channel input occur at the correct synchronous timing instants. This sampling occurs at the TDA1546T internal clock rate. A correct phase transition of WS is expected after a fixed delay time of a previous correct transition, if not, the input will be regarded as out-of-lock. When such a condition occurs, the internal controller is instructed to wait for a period of 16 system clock cycles during which the expected WS transition must occur to achieve synchronization. The wait action is repeated as often as necessary until synchronization is achieved.

To allow for slight disturbances, which would otherwise cause unnecessarily frequent resets, the critical WS transitions are expected within a tolerance window (rather than at one particular timing instant) of 32 system clock cycles. The phase, however, may vary according to the instant upon which synchronization has been achieved. The word select phase transition marking the start of right channel input data is expected after a fixed delay of the left channel synchronized WS transition, meaning that the input WS signal should be symmetrical in time (50% duty cycle measured in units of system clock cycles).

Bitstream Continuous Calibration DAC with digital sound processing (BCC-DAC)

TDA1546T

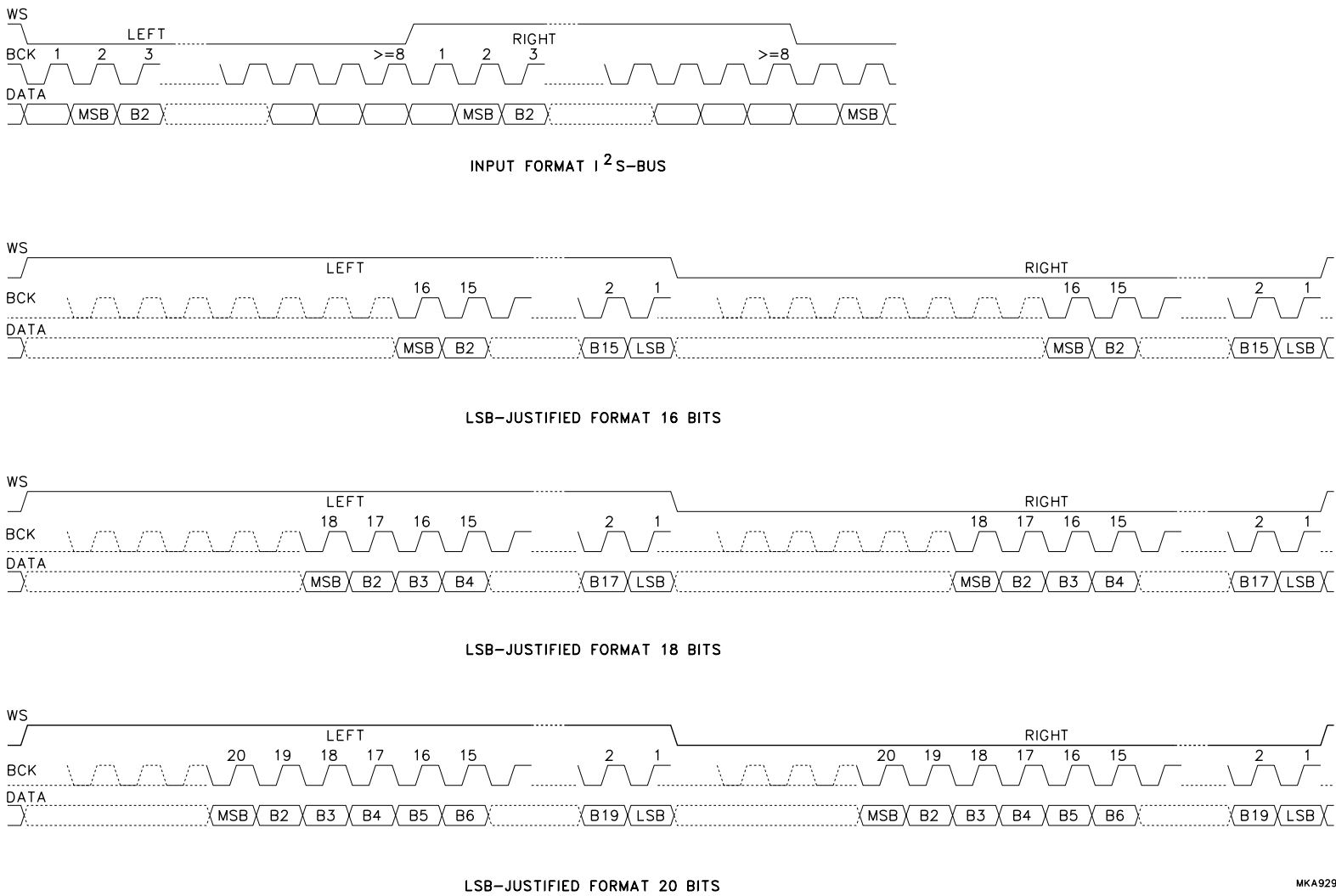


Fig.9 Input formats.

MKA929

Bitstream Continuous Calibration DAC with digital sound processing (BCC-DAC)

TDA1546T

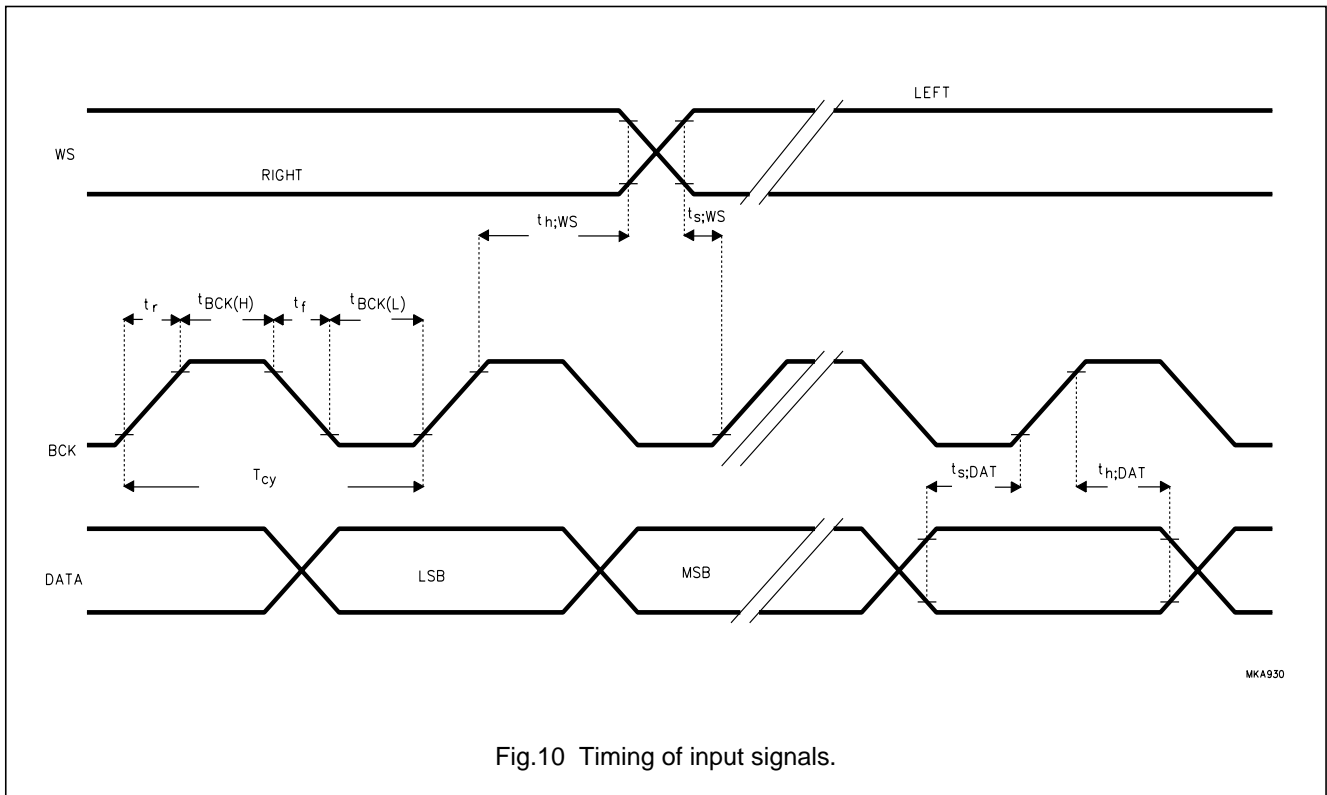


Fig.10 Timing of input signals.

7.5 Normal-speed mode

In the normal-speed mode the oversampling filter consists of:

- A 75th-order half-band low-pass FIR filter which increases the oversampling rate from 1 time to 2 times.
- An 11th-order half-band low-pass FIR filter which increases the oversampling rate from 2 times to 4 times.
- An 7th-order half-band low-pass FIR filter which increases the oversampling rate from 4 times to 8 times.
- A linear interpolation section which increases the oversampling rate to 16 times. This removes the spectral components around $8f_s$.
- A sample-and-hold section which provides another 6 times oversampling to 96 times. The zero-order hold characteristic of this sample-and-hold section plus the first-order analog filtering remove the spectral components around $16f_s$.

7.6 Double-speed mode

The double-speed is controlled by the register control bit DSM. When this bit is active HIGH the device operates in the double-speed mode. In the double-speed mode the oversampling filter consists of:

- A 51st-order half-band low-pass FIR filter which increases the oversampling rate from 1 time to 2 times.
- A 7th-order half-band low-pass FIR filter which increases the oversampling rate from 2 times to 4 times.
- A linear interpolation section which increases the oversampling rate to 8 times. This removes the spectral components around $4f_s$.
- A sample-and-hold section which provides another 6 times oversampling to 48 times. The zero-order hold characteristic of this sample-and-hold section plus the first-order analog filtering removes the spectral components around $8f_s$.

Bitstream Continuous Calibration DAC with digital sound processing (BCC-DAC)

TDA1546T

7.6.1 DOUBLE-SPEED MODE FEATURES

In the normal-speed mode all of the sound processing features such as those listed in the “Features” are available. However, the use of double-speed mode cuts down on the number of options due to the fact that a smaller cycle budget is available to the internal feature controller. Table 6 gives the availability of the different features in the double-speed mode.

Table 6 Feature status in double-speed mode

FEATURE	AVAILABLE	REMARKS
Balance	yes	
Volume	yes	adapted scale: range from -96 dB to 0 dB
Fade	no	volume change will be instantaneous
Band-pass filter	no	fixed to flat response
Overload detection	no	
Silence detection	no	
Mute	yes	
Peak position	no	fixed to before
Treble, Bass	no	
Bass boost	yes	
De-emphasis	yes	
Clear memory	yes	
Versatile pins	yes	although no detection takes place these pins respond to polarity setting
Peak readout	yes	

Because of the shift in scale of the volume control between normal and double-speed mode, a step in volume of 6 dB on switchover in either way should be compensated for by adjusting the volume during a preferably muted transition period.

7.6.2 LOW-POWER OPTION USING DOUBLE-SPEED MODE

The double-speed mode feature can also be used to cut down on power requirements. When the TDA1546T is switched to the double-speed mode using control bit DSM, and the system clock frequency is halved simultaneously, the filters will operate correctly on data input at

normal-speed. The same feature restrictions as in the double-speed mode apply, as does the filter performance specified for double-speed mode. The current consumption of the digital supply voltage is halved because of the lower absolute clock speed. In terms of conversion accuracy of the digital-to-analog converter section, some performance will however be sacrificed.

7.7 Volume control features

Features related to volume control are the digital balance control, digital volume control with fade function and the digital soft-mute. Their operation is described below.

7.7.1 DIGITAL BALANCE

Table 7 Digital balance

BAL3 TO BAL0 BAR3 TO BAR0	LEVEL (dB)
1 1 1 1	0
1 1 1 0	-1.5
...	...
0 0 0 1	-21.0
0 0 0 0	-22.5

The balance value from 1111 to 0000 can be obtained using the following equation;
 Balance = -1.5 dB × (15 - balance setting)

At extremely low volume settings (see Section 7.7.2) the range of effect of the balance control will be limited. The balance control effect will not go beyond an overall attenuation of 89.55 dB (balance plus volume control).

7.7.2 DIGITAL VOLUME CONTROL WITH FADE FUNCTION

One of the features of the TDA1546T is an advanced digital volume control with inherent fading function. Only the desired volume and the fade speed need to be instructed to the TDA1546T, via the microcontroller interface. The single-bit flag RUNFA can then be used to inhibit or execute the volume change operation. When RUNFA = 0, the volume control settings can be changed without effect on the output. When RUNFA is then set to 1, the TDA1546T autonomously performs an automatic fade-in or fade-out to the desired volume by a natural, exponential approach. It allows for volume control to an accuracy of 0.375 dB from a gain of 6 dB of full-scale to -90 dB in normal-speed, and a range of 0 dB of full-scale to -96 dB in double-speed mode (see Tables 8 and 9).

Bitstream Continuous Calibration DAC with digital sound processing (BCC-DAC)

TDA1546T

In normal-speed operation the fade time can be set over a wide range, varying from 6 ms to over 20 seconds for a complete fade. The fade time is completely determined by the fade time setting and is independent of the amount of volume change programmed. This means that a smaller volume step will take the same amount of time but using a less steep slope than a larger volume change with the same fade time setting.

In the double-speed mode the fade option is not available. Regardless of the current fade speed setting, a volume change in double-speed mode will take effect immediately, i.e. the next audio sample instant. Volume control data is in 2 nibbles and can be set in 256 steps. The relationship between command and output is shown in Tables 8 and 9.

Table 8 Volume control

VC7 TO VC0	VC (DEC)	VOLUME LEVEL	
		NS	DS
1111 1111	255	6.02	0
1111 1110	254	5.64	-0.37
....
1111 0000	240	0.37	-5.64
1110 1111	239	0.00	-6.02
....
0000 0001	1	-89.55	-95.57
0000 0000	0	-∞	-∞

Table 9 Fade control

FT3 TO FT0	FT (DEC)	FADE TIME AT 44.1 kHz (s)
0000	0	0.006
0001	1	0.2
0010	2	0.6
....
1110	14	19.6
1111	15	22.4

The gain value ranging from 1111 1111 to 0000 000 can be converted to its logarithmic counterpart by the following equations:

Normal-speed mode:

$$G = (\text{volume setting} - 239) \times \left[\frac{5 \times (\log 2)}{4} \right]$$

Example: attenuate data for 1111 11110:

$$A = (254 - 239) \times \left[\frac{5 \times \log 2}{4} \right] = 5.64 \text{ dB}$$

Double speed mode:

$$G = (\text{volume setting} - 255) \times \left[\frac{5 \times (\log 2)}{4} \right]$$

Example: attenuate data for 1111 11110:

$$A = (254 - 255) \times \left[\frac{5 \times \log 2}{4} \right] = -0.37 \text{ dB}$$

The fade time from 0000 to 1111 can be converted by using the following equation:

$$\text{Fade time} = \left\{ \frac{[(FT + 1) \times (FT \times 16 + 1)] \times 256}{f_s} \right\}$$

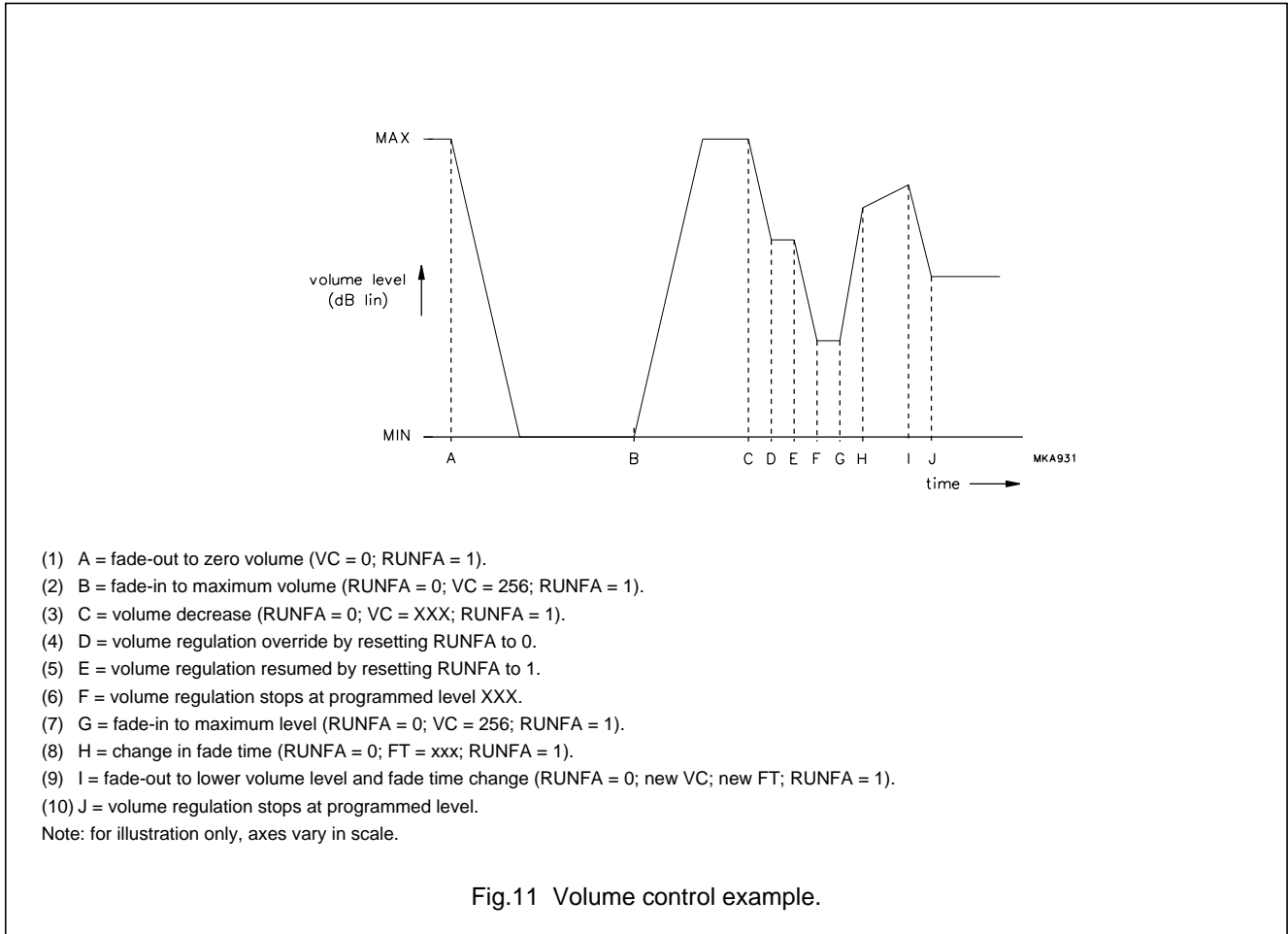
Example: fade time for 0010 at $f_s = 44.1 \text{ kHz}$;

$$\text{fade time} = 3 \times 33 \times 256 / 44100 = 0.57 \text{ s}$$

In Fig.11, a few fading examples illustrate the operation of the TDA1546T advanced digital volume control.

Bitstream Continuous Calibration DAC with digital sound processing (BCC-DAC)

TDA1546T



7.7.3 DIGITAL SOFT-MUTE

Soft mute is controlled by the microcontroller register file bit MUTE. When the bit is active HIGH the value of the samples is decreased smoothly to zero following a cosine curve. To step down the value of the data 32 coefficients are used, each one being used 32 times before stepping onto the next. This amounts to a mute transition time of 23 ms at $f_s = 44.1$ kHz. When the MUTE bit is LOW, the samples are returned to the full level again following the same cosine curve in reverse order. Mute is synchronized to the sample clock, so that operation always takes place on complete samples.

7.7.4 SCALING AND POLARITY OF THE DIGITAL UP-SAMPLING FILTER

The scaling factor of the digital up-sampling filter can be selected by means of register file bits OUTS1 and OUTS0. Only those modes controlled by bit OUTS0 are actually useful, the other two are reserved modes and should not be used.

In the configuration with the default initialization (OUTS0 = 0), the TDA1546T is inverting, meaning that a positive pulse contained in the digital input data is converted to a negative pulse on the analog outputs. This polarity and scaling is identical to that used in TDA1305T. The TDA1546T can be made non-inverting by setting bit OUTS0 in the microcontroller register file. The complete truth table for these bits is shown in Table 10.

Table 10 Special control register bits

OUTS1	OUTS0	MODE	SCALING
0	0	TDA1305T equivalent	-0.9
0	1	non-inverting	+0.9
1	0	reserved	-0.66
1	1	reserved	-0.99

Bitstream Continuous Calibration DAC with digital sound processing (BCC-DAC)

TDA1546T

7.8 Sound processing related features

7.8.1 DE-EMPHASIS FILTER

The TDA1546T incorporates selectable digital de-emphasis filters, dimensioned to produce the de-emphasis frequency characteristics for each of the three possible sample rates 32, 44.1 and 48 kHz. With its 18-bit dynamic range, the digital de-emphasis of the TDA1546T is a convenient and component-saving alternative to analog de-emphasis.

Selection of the de-emphasis filters is performed via the microcontroller interface, bits DEMC1 and DEMC0. The programming is given in Table 11.

Table 11 De-emphasis mode programming

DEMC1	DEMC0	DE-EMPHASIS FUNCTION
0	0	de-emphasis disabled
0	1	de-emphasis for $f_s = 32.0$ kHz
1	0	de-emphasis for $f_s = 44.1$ kHz
1	1	de-emphasis for $f_s = 48.0$ kHz

7.8.2 TREBLE

A digital treble gain (up to 12 dB in steps of 1.5 dB or cut down to -10.5 dB in steps of 1.5 dB) can be applied to boost or attenuate high-range signal content. The microcontroller bits SCT3 to SCT0 select the treble characteristic to be applied, the effect of which is shown in Table 12. The programmable treble filter is a first-order shelving type with a fixed corner frequency of 2.1 kHz. In the "flat" position the treble stage has no influence on the audio signal path. Because of the possibility of treble boost beyond the available digital headroom causing overload of high frequency range signals, the higher positive treble boost values should generally be used in conjunction with an approximately corresponding attenuation using the volume control function.

7.8.3 BASS

Digital bass control can be applied under control from the microcontroller via control bits SCB3 to SCB0 (see Table 12) to achieve a moderate bass enforcement or attenuation. The programmable bass filter is a first-order shelving type with a fixed corner frequency of 500 Hz. In the "flat" position the bass stage has no influence on the audio signal path. Higher bass settings should generally be compensated by approximately equal attenuation using the volume control to avoid digital overload of basses.

7.8.4 BASS BOOST

A strong bass boost effect, which is useful in compensating for poor bass response of portable headphone sets, is implemented digitally in the TDA1546T and can be controlled in 14 steps using the microcontroller bits SCBB3 to SCBB0. Valid settings range from "flat" (no influence on audio) to +37 dB with step sizes varying from 3 dB (lower boosts) to 2.5 dB to 2 dB (higher boosts). The SCBB value 15 is a reserved value and should not be used. (see Table 12). The programmable bass boost filter is a second-order shelving type with a fixed corner frequency of 250 Hz and has a Butterworth characteristic. Because of the exceptional amount of programmable gain, bass boost should be used in conjunction with adequate prior attenuation, using the volume control. The bass stage and the bass boost stage operate independently so that the ultimately attainable gain for low frequencies may reach a total boost of approximately 50 dB.

7.8.5 DIGITAL DYNAMIC BASS BOOST, DIGITAL LOUDNESS AND OTHER DYNAMIC APPLICATIONS OF TONE CONTROL

Because of the integration of volume control, tone control and level monitoring functions in the TDA1546T, a wide range of dynamic tone and level control applications is made available. These can be defined in software by the user, thereby replacing and improving on components formerly used to perform these functions in the analog domain. Among these applications the most popular are dynamic bass boost and loudness. Because the volume setting is known in the system controller, it can, for instance, be used directly to determine an appropriate amount of bass boost. This avoids the signal level dependent 'sighing', 'pumping' and distortion effects typical of analog dynamic bass boost circuits. Depending on the headroom made available by the current volume setting, applying a bass boost of up to 30 dB, combined with a slight treble boost (up to 6 dB) will achieve a typical dynamic bass boost effect of high sound quality.

Digital loudness can be realized using the current volume setting to determine a suitable moderate bass gain (up to approximately 15 dB is typical of loudness) and treble gain (up to approximately 6 dB).

A further enhancement in dynamic tone control and signal adaptation can be achieved by using the peak monitoring function (either with a flat response or using the band-pass filters) or overload detection (which can also be made frequency-selective) in your dynamic tone control algorithm.

Bitstream Continuous Calibration DAC with digital sound processing (BCC-DAC)

TDA1546T

Table 12 Sound processing parameters

REGISTER BITS	TREBLE SCT3 TO SCT0 (dB)	BASS SCB3 TO SCB0 (dB)	BASS BOOST SCBB3 TO SCBB0 (dB)
0 0 0 0	-10.5	-9	flat
0 0 0 1	-9	-7.5	3
0 0 1 0	-7.5	-6	6
0 0 1 1	-6	-4.5	9
0 1 0 0	-4.5	-3	12
0 1 0 1	-3	-1.5	15
0 1 1 0	-1.5	flat	18
0 1 1 1	flat	1.5	21
1 0 0 0	1.5	3	23.5
1 0 0 1	3	4.5	26
1 0 1 0	4.5	6	28.5
1 0 1 1	6	7.5	31
1 1 0 0	7.5	9	33
1 1 0 1	9	10.5	35
1 1 1 0	10.5	12	37
1 1 1 1	12	13.5	reserved

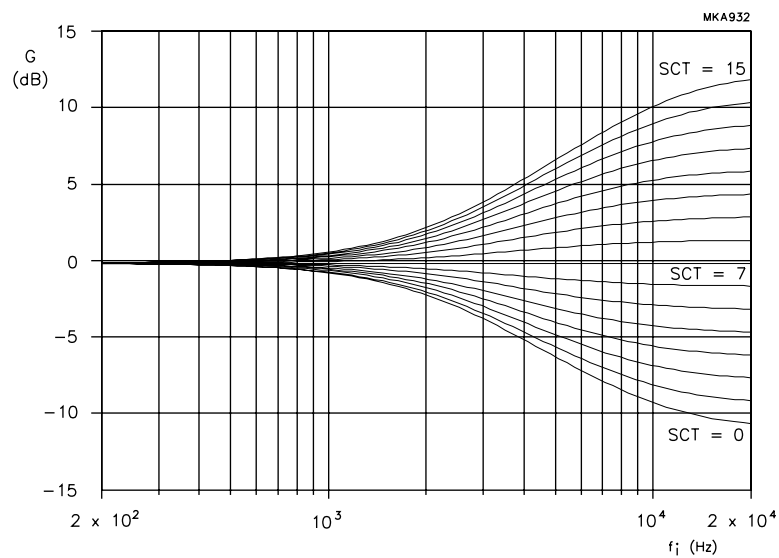


Fig.12 Treble frequency response.

Bitstream Continuous Calibration DAC with digital sound processing (BCC-DAC)

TDA1546T

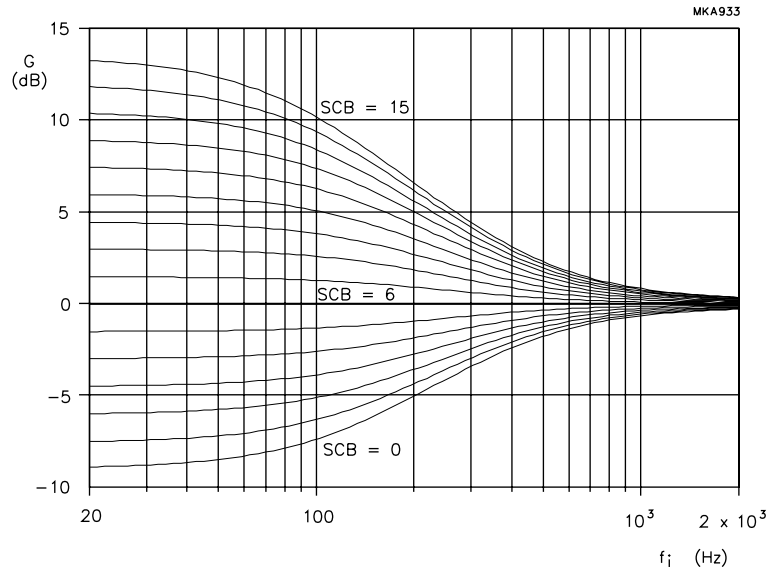


Fig.13 Bass frequency response.

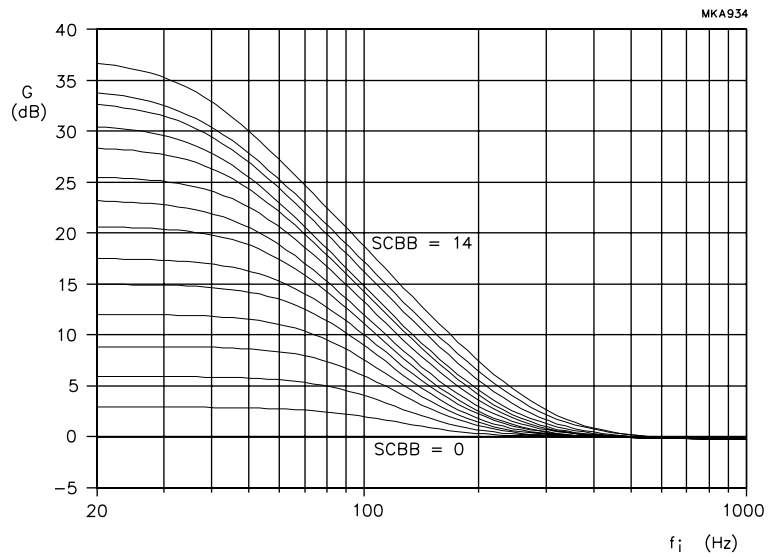


Fig.14 Bass boost frequency response.

Bitstream Continuous Calibration DAC with digital sound processing (BCC-DAC)

TDA1546T

7.8.6 DIGITAL SPEAKER SYSTEM MODE

The TDA1546T can be used as a two-way digital crossover filter and digital preamplifier in a digital speaker system. In the DSS mode, one TDA1546T is used per loudspeaker channel. The left channel of TDA1546T drives the amplifier for the low frequency transducer and the right channel drives the high-frequency power amplifier. The digital crossover filter is activated by setting the control bit DSS to 1 and the 4-bit bass boost value to its reserved value of 15. Figure 15 shows the frequency transfer function of the digital crossover filter.

The auxiliary bit LONLY (left only) can be set to enable a special internal channel-copying mode. The left-channel data input is copied internally to the right channel via the

input data bus and the incoming right channel data is 'don't care'. This simplifies interfacing at the input data bus level. Direct connection of the WS line to the TDA1546T appoints the TDA1546T as the left channel processor, and placing an inverter in series with the WS input results in the processing of the right channel data only, thereby appointing the TDA1546T as right channel processor. Consequently, by using LONLY, the normal time-multiplexed I²S-bus or other format can be used rather than a dedicated left or right channel bus.

Due to the nature of the digital crossover filter, the digital speaker mode must be used with volume set to -0.375 dB (one unit step below 0 dB) to preclude any occurrence of digital clipping.

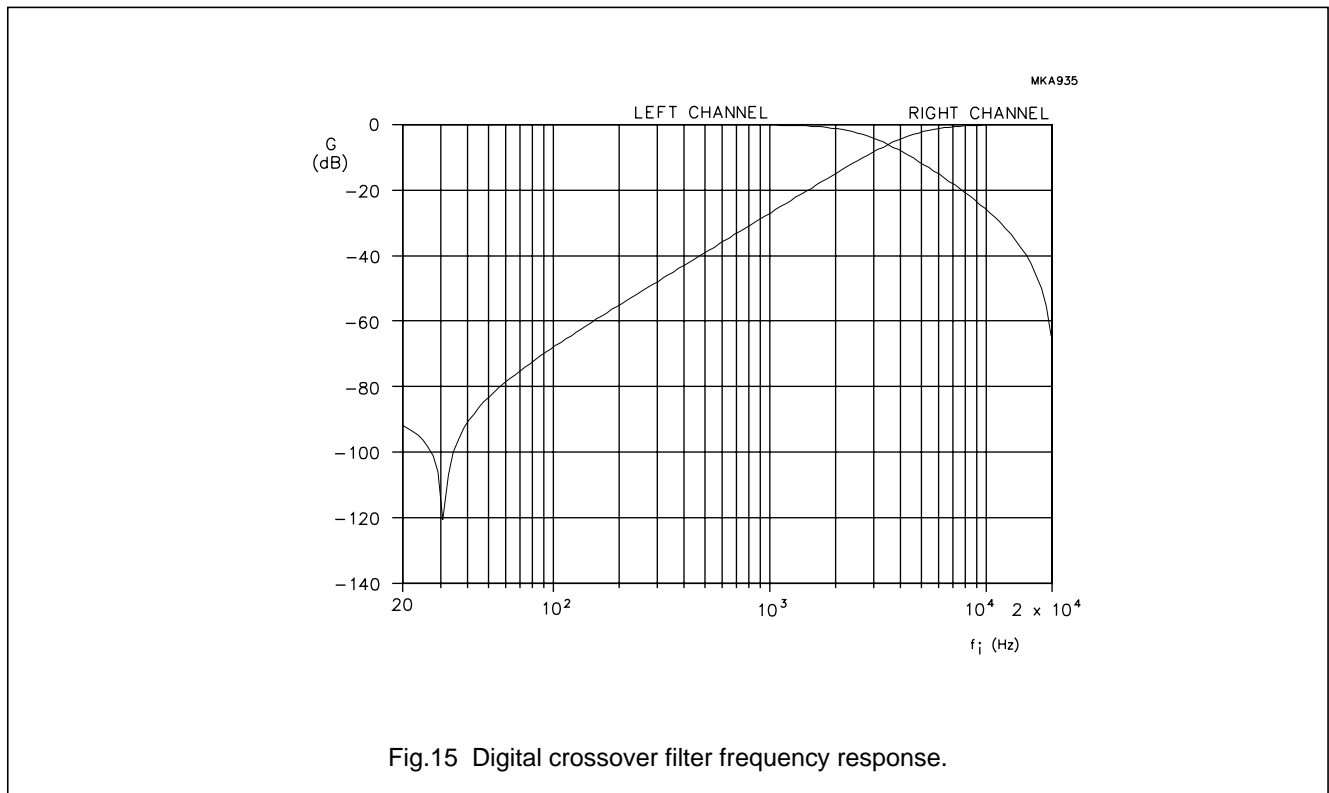


Fig.15 Digital crossover filter frequency response.

7.9 Sound monitor block

The sound monitor block consists of a spectrum analyzer, silence detection, peak detection, overload detection and versatile output pins. The position of the sound monitor block can be programmed using microcontroller bit SPOS. When SPOS = 1 the sound monitor block precedes the tone control sections. When SPOS = 0 the sound monitor block succeeds the tone control sections.

7.9.1 SPECTRUM ANALYZER

The spectrum analyzer is constructed of a second-order band-pass filter (where the centre frequency is selectable) followed by a resettable peak detector, silence detector and overload detector. The band-pass filter can be set to 7 different frequency bands plus one flat response. The 7 bands are equally spaced in the audio band with a ratio of 1:2.3, which is slightly wider than octave bands. The centre frequencies are given in Table 13.

Bitstream Continuous Calibration DAC with digital sound processing (BCC-DAC)

TDA1546T

Table 13 Spectrum analyzer frequency band

FP2	FP1	FP0	FREQUENCY BAND	SETTLING TIME TO -40 dB OR 1% (ms)
0	0	0	flat	-
0	0	1	0 to 99 Hz	30
0	1	0	189 Hz	16
0	1	1	435 Hz	5.6
1	0	0	1000 Hz	2.4
1	0	1	2300 Hz	1.1
1	1	0	5290 Hz	0.5
1	1	1	12200 Hz	0.2

frequency bands, e.g. the 189 Hz band takes approximately 16 ms to settle to 1% or -40 dB (i.e. the settling rate is 8 ms per 20 dB). For all bands except the 99 Hz band, the settling rate is inversely proportional to the bandwidth and therefore to the centre frequency. The 99 Hz filter behaves differently because it is, in essence, a first-order low-pass filter.

The settling time of the switchable band-pass filter calls for attention to waiting times when used in a spectrum analyzer application. A waiting time is necessary to allow the switching transient to settle. A "dummy" peak readout will then reset the peak detection register to zero, after which instant new frequency-dependent peak data can be accumulated. The time needed to accumulate valid peak information depends on the centre frequency and bandwidth of the band involved, thus a second waiting time will need to be implemented. A peak read action performed after this second waiting time will return an accurate output value.

To scan the whole audio band with one filter, the filter must be switched between the 7 bands. This switching causes a transient which takes time to settle. The settling time is dependent on the bandwidth and is slowest for the low

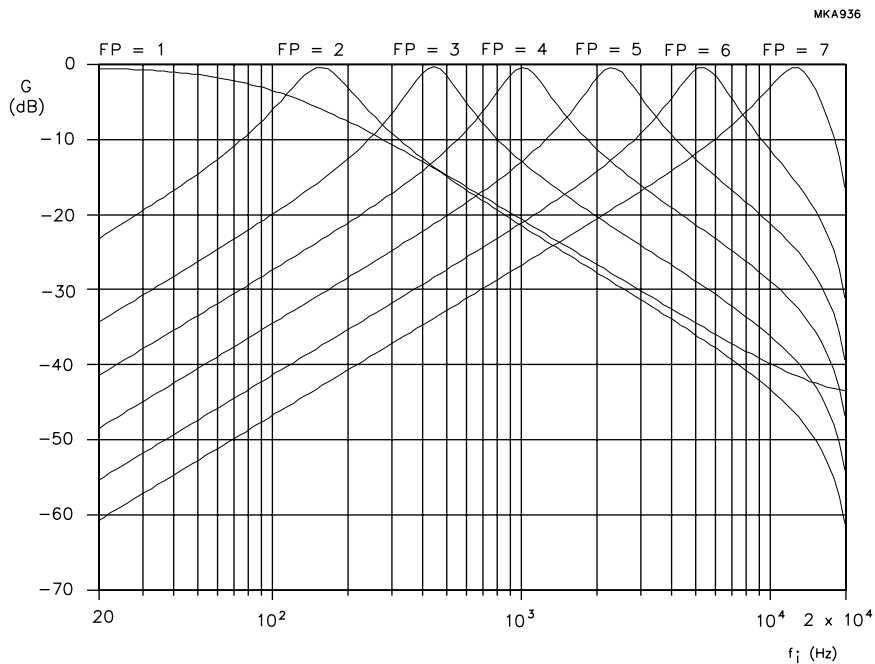


Fig.16 Spectrum analyzer frequency response.

Bitstream Continuous Calibration DAC with digital sound processing (BCC-DAC)

TDA1546T

7.9.2 dB CONVERTER

Before peak data is output, the detected value is converted from linear to a dB scale internally by the TDA1546T. This has the following advantages:

- ease calculation load on the system microcontroller
- optimal use of dynamic range of the readout
- facilitate manipulation of sound processing control levels in combination with peak readout levels, to allow for e.g. dynamic tone control.

The internal linear peak detection occurs with a resolution of 16 bits on the incoming left and right audio samples

individually. This linearly acquired value is converted to dB's as shown in Table 14. Because of quantization of the linear code, accuracy is lower for the very lowest detected peak values. Some values in the lower range of the dB scale have no counterpart in the linear scale, consequently these values never occur as output peak words. This is also illustrated in Table 14). The dB conversion block converts only positive linear values to a useful dB value. All negative input values will be converted to an output value of 3 for recognition.

Table 14 Peak readout linear-to-dB conversion (note 1)

PEAK DATA	PEAK VALUE (dB)	PEAK DATA	PEAK VALUE (dB)	PEAK DATA	PEAK VALUE (dB)	PEAK DATA	PEAK VALUE (dB)
000000	−∞	000001	n.a.	000010	n.a.	000011	−90.31
000100	n.a.	000101	n.a.	000110	n.a.	000111	−84.29
001000	n.a.	001001	n.a.	001010	−80.77	001011	−78.27
001100	n.a.	001101	−76.33	001110	−74.75	001111	−72.25
010000	−71.22	010001	−69.48
.....	111101	−2.87	111110	−1.48	111111	0.00

Note

1. The peak level dB conversion block relates according to the following transfer formula from linear to dB scale:
 - a) Peak value (dB) = (peak data – 63.5) × 5 × log 2
 - b) The table should be read as follows. The maximum value of 63 (111111) is returned when the detected value resides between −1.48 dB and 0 dB, the next lower value of 62 is returned when the detected value resides between −2.87 dB and −1.48 dB etc. Only true digital silence will return a peak readout value of 000000.
 - c) For peak data > 010011 (= 19) the error in peak level is <(11 × log 2)/4
 - d) For peak data <010100 (= 20) the error will be larger due to 16 bits accuracy.

7.9.3 PEAK DETECTION

The TDA1546T provides a convenient way to monitor the peak value of the audio data, for left and right channels individually, by way of readout via the microcontroller interface. Peak value monitoring has its applications mainly in digital volume unit measurement and display, and in automatic recording level control. The peak level measurement of the TDA1546T occurs with a resolution of 16 bits thus providing a dynamic range amply suitable for all practical applications.

The output of the peak detection block is a register of two 6-bit words (one for each channel) which represents the dB linear value of the positive peak value and is accessible via the microcontroller interface. The peak detection block continuously monitors the audio information arriving from

the spectrum analyzer, comparing its actual dB value to the value currently stored in the peak register. Any new value greater than the currently held peak value will cause the register to assume the new, greater value. On a peak request (see Section 7.3) the contents of the peak register are transferred to the microcontroller interface. After a read action the peak register will be reset and the collection of new peak data started. The end of a peak read action should be marked by an address mode sequence so that the output peak register is able to latch new data.

The peak detection block receives data that has been processed by the de-emphasis block, so if peak data is read when applying digital de-emphasis, the de-emphasis frequency characteristic will be noticeable in the peak output value.

Bitstream Continuous Calibration DAC with digital sound processing (BCC-DAC)

TDA1546T

The peak data readout protocol is illustrated in Fig.7. A peak request is performed by activating the address mode of the microcontroller interface (see Table 2). Upon the peak request, the microcontroller will commence collecting data from the internal peak data output register (dB linear, 6-bit left, 6-bit right) on the LOW-to-HIGH transition of L3CLK by sending a clock onto the L3CLK line. The first and last bits of the byte (bit 0 and bit 7 in Fig.7) are padding bits with default set to zero. The first peak bit (bit 1), is the LSB of the channel peak value. The contents of the peak data output register will not change during the peak request. The peak data readout procedure may be aborted at any instant by returning to the address mode, thereby marking the end of the peak request.

7.9.4 SILENCE DETECTION

The TDA1546T is designed to detect silence conditions in the left and right channels, separately or combined, and report this via the versatile outputs VERS1 and VERS0 (see Section 7.9.6). The function is programmable in silence level (dB linear via microcontroller register bits SIL3 to SIL0) and silence duration (SILT3 to SILT0) and is implemented to allow external manipulation of the audio signal upon absence of program material, such as muting or recorder control. The silence levels and silence duration timings are given in Table 15.

Table 15 Silence detection parameters

SILENCE LEVEL		SILENCE DURATION	
SIL3 TO SIL0	SILENCE LEVEL (dB)	SILT3 TO SILT0	SILENCE DURATION AT 44.1 kHz (s)
0 0 0 0	-∞	0 0 0 0	0.2
0 0 0 1	-90.3	0 0 0 1	0.4
0 0 1 0	-87.3	0 0 1 0	0.6
....
1 1 1 0	-51.2	1 1 1 0	3.0
1 1 1 1	-48.2	1 1 1 1	3.2

The silence level and silence duration from 0000 to 1111 can be obtained using the following equations:

$$\text{silence if: sample} < (2 \times \text{SIL} - 62) \times 5 \log 2$$

Example: silence for 1110:

$$(2 \times 14 - 62) \times 5 \log 2 = -51.2 \text{ dB}$$

$$\text{silence duration} = \frac{[(\text{SILT} + 1) \times 241] \times 256}{(f_s \times 7)}$$

Example: silence for 1110 at

$$f_s = 44.1 \text{ kHz} = \frac{[(14 + 1) \times 241] \times 256}{(44100 \times 7)}$$

The TDA1546T itself does not influence the audio signal as a result of digital silence. The sole function of this block is detection, and any further treatment must be accomplished by other means. Silence detected is TRUE when the corresponding channel carries samples smaller than the programmed value for at least the duration of the programmed time. As a separated left/right digital silence detection is not always needed, the logic "AND" function of both left and right digital detection circuits can be logically combined to a mono digital silence indication on pin VERS0, programmed via register control bits PINM1 and PINM0.

7.9.5 OVERLOAD DETECTION

A level programmable overload detection is present to facilitate applications in digital volume unit measurement and display, and in automatic recording level control. The overload condition of the audio data for left and right channels, individually or combined, is reported via the versatile outputs VERS1 and VERS0 (see Section 7.9.6). The overload levels are given in Table 16.

Table 16 Overload detection level

OVER3 TO OVER0	DETECTION LEVEL (dB)
0 0 0 0	-46.7
0 0 0 1	-43.6
....	...
1 1 1 0	-4.5
1 1 1 1	-1.5

The overload detection level from 0000 to 1111 can be obtained using the following equation:

$$\text{Overload if peak level} > (2 \times \text{OVER} - 31) \times 5 \log 2$$

Overload detected is TRUE when the corresponding channel carries samples greater than the programmed value. A condition of detected overload will be held until peak data is read out from the TDA1546T. This implies that a continuous overload indication (also via the versatile outputs) will function properly only with periodic peak readout taking place. As a separated left/right digital overload detection is not always needed, the logic "OR" function of both left and right digital detection circuits can be logically combined to a mono digital overload indication on pin VERS1, programmed via register control bits PINM1 and PINM0.

Bitstream Continuous Calibration DAC with digital sound processing (BCC-DAC)

TDA1546T

7.9.6 VERSATILE OUTPUTS

Table 17 Versatile output pin control

REGISTER BIT		OUTPUT MODE	
PINM1	PINM0	VERS1	VERS0
0	0	mono overload detection	mono silence detection
0	1	left overload detection	right overload detection
1	0	left digital silence detection	right digital silence detection
1	1	no detection	no detection
PVIV1 = 0		VERS1 is active HIGH	
PVIV1 = 1		VERS1 is active LOW	
PVIVO = 0		VERS0 is active HIGH	
PVIVO = 1		VERS0 is active LOW	

7.10 Noise shaper

In the normal-speed mode the second-order noise shaper operates at $96f_s$ ($f_{sys} = 384f_s$) or $128f_s$ ($f_{sys} = 256f_s$). In the double-speed mode the noise shaper operates at $48f_s$ ($f_{sys} = 384f_s$) or $64f_s$ ($f_{sys} = 256f_s$). It shifts in-band quantization noise to frequencies well above the audio band. This noise shaping technique used in combination with a special data coding enables extremely high signal-to-noise ratios to be achieved. The noise shaper outputs a 5-bit PDM bitstream signal to the DAC.

7.11 Continuous calibration digital-to-analog converter

The dual 5-bit DAC uses the continuous calibration technique. This method, based on charge storage, involves exact duplication of a single reference current source. In the TDA1546T, 32 such current sources plus one spare source are continuously calibrated. The spare source is included to allow continuous converter operation.

The DAC receives a 5-bit data bitstream from the noise shaper. This data is then converted so that only small currents are switched to the output during digital silence (input 00000H). In this way extremely high-noise performance is achieved.

7.12 Operational amplifiers

The operational amplifiers and the internal conversion resistors R_{CONV1} and R_{CONV2} convert the DAC current to an output voltage which is made available at pins V_{OL} and V_{OR} (typ 1.5 V RMS). Connecting an external capacitor between $FILTCL$ and V_{OL} , $FILTCR$ and V_{OR} respectively provides the required first-order post filtering for the left and right channels.

7.13 Internal reference circuitry

The Internal reference circuitry ensures that the output voltage signal is proportional to the supply voltage, thereby maintaining maximum dynamic range for supply voltages from 3.8 to 5.5 V. The reference voltage output (pin 26) is intended for external decoupling of the reference voltage. It is a high-impedance output and should not be used to drive external loads, otherwise the performance of the TDA1546T's analog circuitry will be impaired. The voltage at V_{ref} is typically 50% of the analog supply voltage (V_{DDA}).

Bitstream Continuous Calibration DAC with digital sound processing (BCC-DAC)

TDA1546T

8 LIMITING VALUES

In accordance with the Absolute Maximum Rating System (IEC 134).

SYMBOL	PARAMETER	CONDITIONS	MIN.	MAX.	UNIT
V_{DD}	supply voltage		–	7.0	V
T_{xtal}	maximum crystal temperature		–	+150	°C
T_{stg}	storage temperature		–65	+125	°C
T_{amb}	operating ambient temperature		–20	+70	°C
V_{es}	electrostatic handling	note 1	–3500	+3500	V
		note 2	–350	+350	V

Notes

1. Equivalent to discharging a 100 pF capacitor through a 1.5 k Ω resistor.
2. Equivalent to discharging a 200 pF capacitor through a 2.5 μ H inductor.

9 THERMAL CHARACTERISTICS

SYMBOL	PARAMETER	VALUE	UNIT
$R_{th\ j-a}$	thermal resistance from junction to ambient in free air	75	K/W

10 QUALITY SPECIFICATION

In accordance with *SNW-FQ-611*. The numbers of the quality specification can be found in the “*Quality Reference Handbook*”. The handbook can be ordered using the code 9398 510 63011.

Bitstream Continuous Calibration DAC with digital sound processing (BCC-DAC)

TDA1546T

11 CHARACTERISTICS

$T_{amb} = -20$ to $+70$ °C; unless otherwise specified.

SYMBOL	PARAMETER	CONDITIONS	MIN.	TYP.	MAX.	UNIT
Supplies						
V_{DDD}	digital supply voltage	note 1	3.8	5.0	5.5	V
I_{DDD}	digital supply current	$V_{DDD} = 5$ V; at code 00000H	–	40	–	mA
V_{DDA}	analog supply voltage	note 1	3.8	5.0	5.5	V
I_{DDA}	analog supply current	$V_{DDA} = 5$ V; at code 00000H	–	5.5	–	mA
V_{DDO}	operational amplifier supply voltage	note 1	3.8	5.0	5.5	V
I_{DDO}	operational amplifier supply current	$V_{DDO} = 5$ V; at code 00000H	–	6.5	–	mA
V_{DDX}	clock circuitry supply voltage	note 1	3.8	5.0	5.5	V
I_{DDX}	clock circuitry supply current	$V_{DDX} = 5$ V; at code 00000H	–	1	–	mA
RR	ripple rejection to V_{DDA}	note 2	–	25	–	dB
System clock input						
f_{xtal}	crystal frequency	$f_{sys} = 384f_s$	9.6	16.93	18.4	MHz
		$f_{sys} = 256f_s$	6.4	11.29	12.28	MHz
T_{cy}	system clock duty cycle	note 3	40	–	60	%
I_{LI}	input leakage current	note 4	–	–	10	μ A
C_I	input capacitance		–	–	10	pF
Master clock mode (see Fig.4)						
G_m	mutual conductance	$f_i = 100$ kHz	–	6.2	–	mS
G_v	small signal voltage gain	$G_v = G_m \times G_o$	–	41	–	V/V
Slave clock mode (see Fig.5)						
V_{IL}	LOW level input voltage	note 5	–0.5	–	$0.2V_{DD}$	V
V_{IH}	HIGH level input voltage	note 5	$0.8V_{DD}$	–	$V_{DD} + 0.5$	V
Digital inputs; WS, BCK, DATA, TEST1, TEST2, L3DATA, L3CLK, L3MODE and CKSL						
V_{IL}	LOW level input voltage	note 5	–0.5	–	$0.3V_{DD}$	V
V_{IH}	HIGH level input voltage	note 5	$0.7V_{DD}$	–	$V_{DD} + 0.5$	V
I_{LI}	input leakage current	note 4	–	–	10	μ A
C_I	input capacitance		–	–	10	pF
Power-on reset; POR						
V_{IL}	LOW level input voltage	note 5	–	–	$0.3V_{DD}$	V
V_{IH}	HIGH level input voltage	note 5	$0.7V_{DD}$	–	$V_{DD} + 0.5$	V
C_I	input capacitance		–	–	10	pF
R_I	input resistance		17	–	203	k Ω

Bitstream Continuous Calibration DAC with digital sound processing (BCC-DAC)

TDA1546T

SYMBOL	PARAMETER	CONDITIONS	MIN.	TYP.	MAX.	UNIT
Digital outputs; CDEC, VERS0 and VERS1						
V_{OL}	LOW level output voltage	$I_{OL} = 4 \text{ mA}$	0	–	0.5	V
V_{OH}	HIGH level output voltage	$I_{OH} = -4 \text{ mA}$	$V_{DD} - 0.5$	–	V_{DD}	V
t_r	output rise time	note 3	–	–	20	ns
t_f	output fall time	note 3	–	–	20	ns
MSR_{CDEC}	mark-space ratio	output CDEC; note 6	45	50	55	%
C_L	load capacitance		–	–	30	pF
Serial input data timing (see Fig.10)						
f_{BCK}	bit clock input = data input rate	$f_{sys} = 384f_s$	–	–	$48f_s$	MHz
		$f_{sys} = 256f_s$	–	–	$64f_s$	MHz
f_{WS}	word select input frequency	normal-speed	25	44.1	48	kHz
		double-speed	50	88.2	96	kHz
t_r	rise time		–	–	20	ns
t_f	fall time		–	–	20	ns
$t_{BCK(H)}$	bit clock time HIGH		55	–	–	ns
$t_{BCK(L)}$	bit clock time LOW		55	–	–	ns
$t_{s;DAT}$	data set-up time		40	–	–	ns
$t_{h;DAT}$	data hold time		10	–	–	ns
$t_{s;WS}$	word select set-up time		40	–	–	ns
$t_{h;WS}$	word select hold time		10	–	–	ns

Notes

1. All V_{DD} and V_{SS} pins must be connected externally to the same supply.
2. $V_{ripple} = 1\%$ of the supply voltage; $f_{ripple} = 100 \text{ Hz}$.
3. Reference levels = 10% and 90%.
4. Minimum I_{LI} measured at $V_i = 0 \text{ V}$; maximum I_{LI} measured at $V_i = 5.5 \text{ V}$.
5. Minimum V_{IL} and maximum V_{IH} are peak values to allow for transients.
6. Specified duty cycle valid only when used in crystal oscillator applications.

Bitstream Continuous Calibration DAC with digital sound processing (BCC-DAC)

TDA1546T

12 ANALOG CHARACTERISTICS

$V_{DD} = 5\text{ V}$; $V_{SS} = 0\text{ V}$; $T_{amb} = 25\text{ °C}$; unless otherwise specified.

SYMBOL	PARAMETER	CONDITIONS	MIN.	TYP.	MAX.	UNIT
Reference values						
V_{ref}	reference voltage level		2.45	2.5	2.55	V
R_{CONV}	current-to-voltage conversion resistor		1.6	2.2	2.8	k Ω
Analog outputs						
RES	resolution		–	–	18	bit
t_{dg}	group delay	$f_s =$ sample rate; normal-speed	–	$\frac{24}{f_s}$	–	s
$V_{FS(rms)}$	full-scale output voltage (pins 22 and 25) (RMS value)	at 0 dB input level	1.425	1.5	1.575	V
$V_{DC(os)}$	output voltage DC offset with respect to reference voltage level V_{ref}	at code 00000H	–80	–65	–50	mV
TC_{FS}	full-scale temperature coefficient		–	$\pm 100 \times 10^{-6}$	–	
(THD+N)/S	total harmonic distortion plus noise-to-signal ratio	at 0 dB input level; note 1	–	–88	–81	dB
			–	0.004	0.009	%
		at –60 dB input level; A-weighted; note 1	–	–44	–40	dB
		at 0 dB input level; (20 Hz to 20 kHz); note 2	–	–85	–80	dB
			–	0.006	0.01	%
S/N	signal-to-noise ratio at bipolar zero	A-weighted; at code 00000H	100	108	–	dB
α_{cs}	channel separation		85	100	–	dB
$ \delta V_O $	imbalance between outputs		–	0.2	0.3	dB
$ Z_O $	dynamic output impedance		–	10	–	Ω
R_{OL}	output load resistance		3	–	–	k Ω
C_{OL}	output load capacitance		–	–	200	pF

Notes

1. Measured with a 1 kHz sine wave generated at a sampling rate of 48 kHz.
2. Measured with a sine wave swept from 20 Hz to 20 kHz, generated at a sampling rate of 48 kHz.

Bitstream Continuous Calibration DAC with digital sound processing (BCC-DAC)

TDA1546T

13 APPLICATION INFORMATION

13.1 Digital filter characteristics (theoretical values)

Table 18 Normal-speed filter characteristics

ITEMS	SAMPLE FREQUENCY	RANGE	CHARACTERISTICS	
Pass band	44.1 kHz	0 to 20 kHz	0 ±0.025 dB	
	32 kHz	14.5 to 15 kHz	> -0.15 dB	
Stop band	44.1 kHz	24.1 to 150 kHz	typical	<-60 dB
			worst case	<-57 dB
	32 kHz	17 to 17.5 kHz	typical	<-57 dB
			worst case	<-47 dB
			< -40 dB	

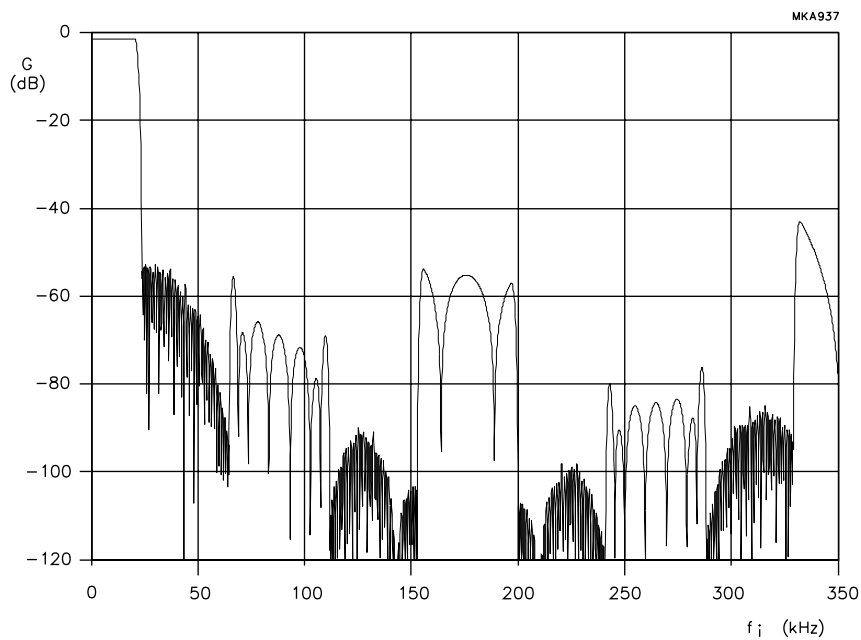


Fig.17 Digital filter overall frequency response.

Bitstream Continuous Calibration DAC with digital sound processing (BCC-DAC)

TDA1546T

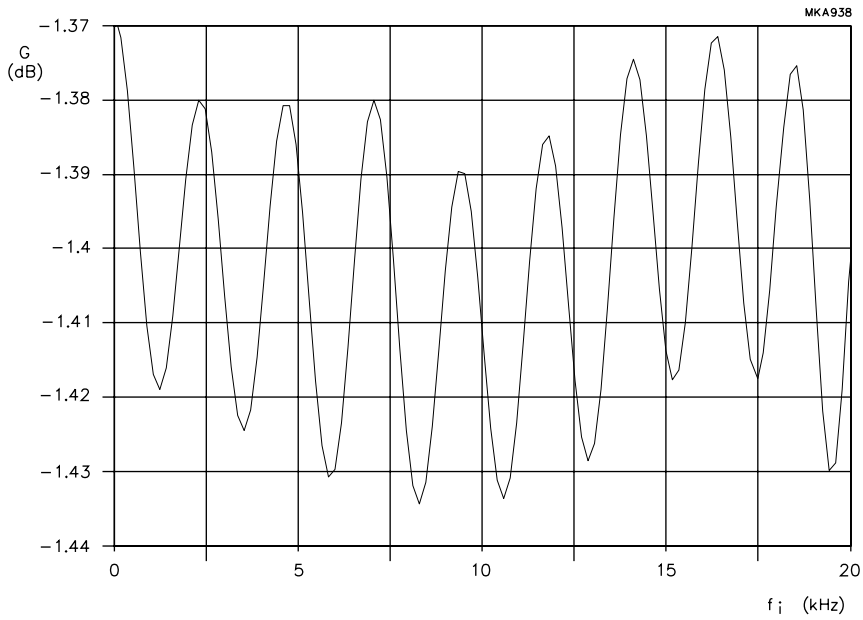


Fig.18 Digital filter pass band ripple.

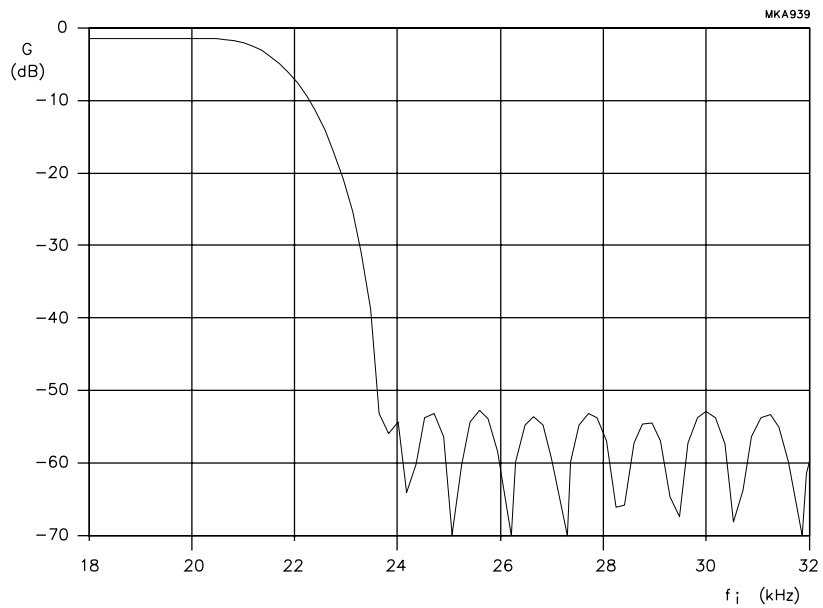


Fig.19 Digital filter transition band.

Bitstream Continuous Calibration DAC with digital sound processing (BCC-DAC)

TDA1546T

Table 19 Double-speed filter characteristics

ITEM	RANGE	CHARACTERISTICS	
Pass band	0 to 17 kHz	0 ±0.075 dB	
	17 to 20 kHz	> -0.3 dB	
Stop band	24.1 to 150 kHz	typical	< -47 dB
		worst case	< -45 dB
	>150 kHz	typical	< -33 dB
		worst case	< -25 dB

Table 20 De-emphasis: deviation from ideal 50 ms to 15 ms characteristic

ITEM	SAMPLE FREQUENCY	RANGE	CHARACTERISTICS
Gain deviation	44.1 and 48 kHz	0 to 18 kHz	0 ±0.05 dB
		18 to 20 kHz	<0.12 dB
	32 kHz	0 to 13 kHz	0 ±0.06 dB
		13 to 15 kHz	<0.22 dB
Phase deviation	44.1 and 48 kHz	0 to 15 kHz	<10 deg
		15 to 20 kHz	<15 deg
	32 kHz	0 to 9 kHz	<10 deg
		9 to 15 kHz	<16 deg

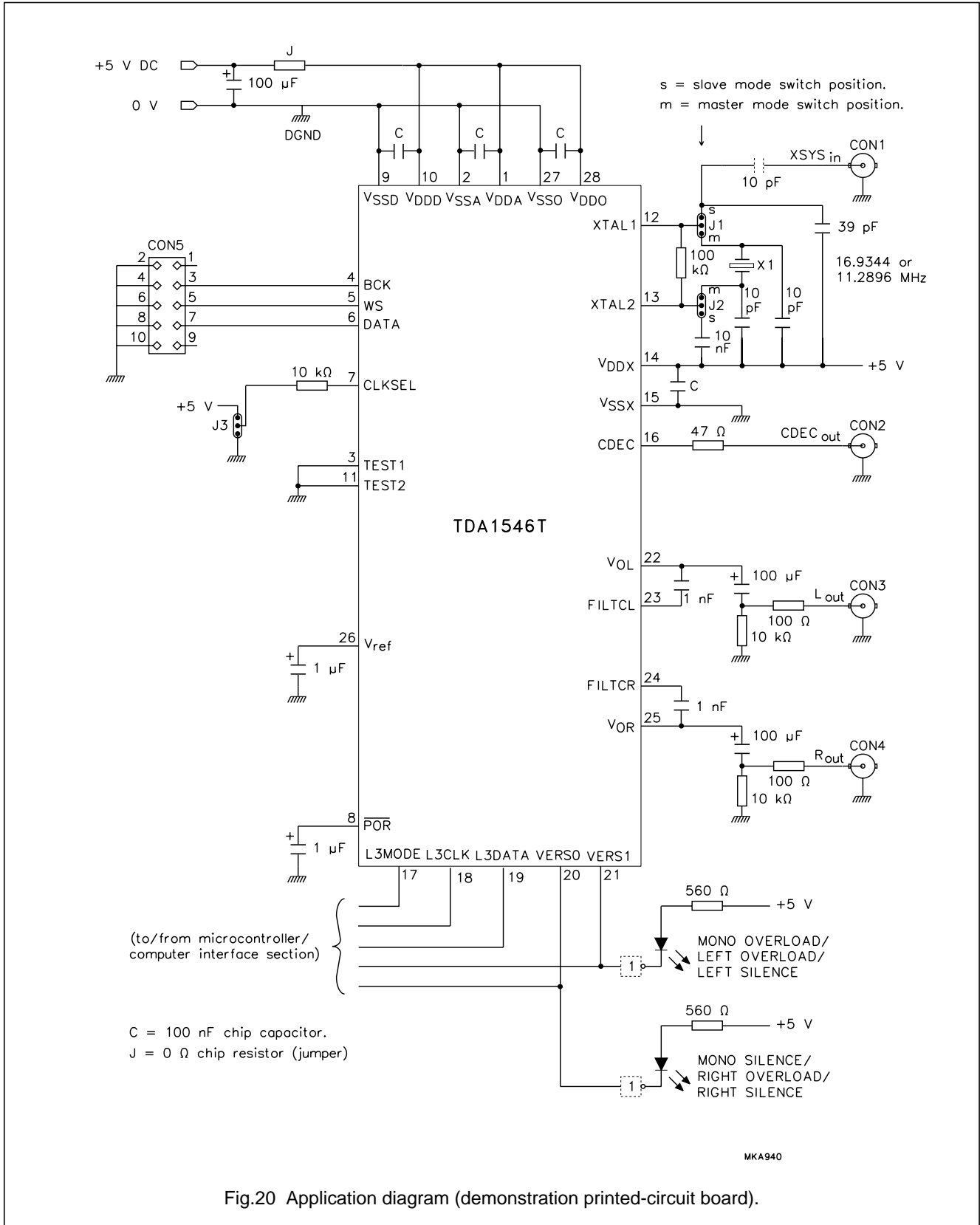
13.2 Example application circuit

An example of an application circuit, the schematic for a printed-circuit board available for evaluation, is shown in Fig.20. The following are shown:

- the typical connection of the power-on reset pin using a timing capacitor
- circuitry surrounding the XTAL1 and XTAL2 pins which can be configured to either crystal oscillator mode (master mode) or external system clock input mode (slave mode)
- an example connection for LED indication of digital silence and overload detection (the inverters are optional, used as buffers. The polarity of the versatile output pins programmed via PVIV1 and PVIV0 should reflect the connection polarity of the indicator LEDs)
- typical decoupling connection for the V_{ref} pin
- typical low component count stereo line output stage (no additional filtering and therefore no external operational amplifiers needed).

Bitstream Continuous Calibration DAC with digital sound processing (BCC-DAC)

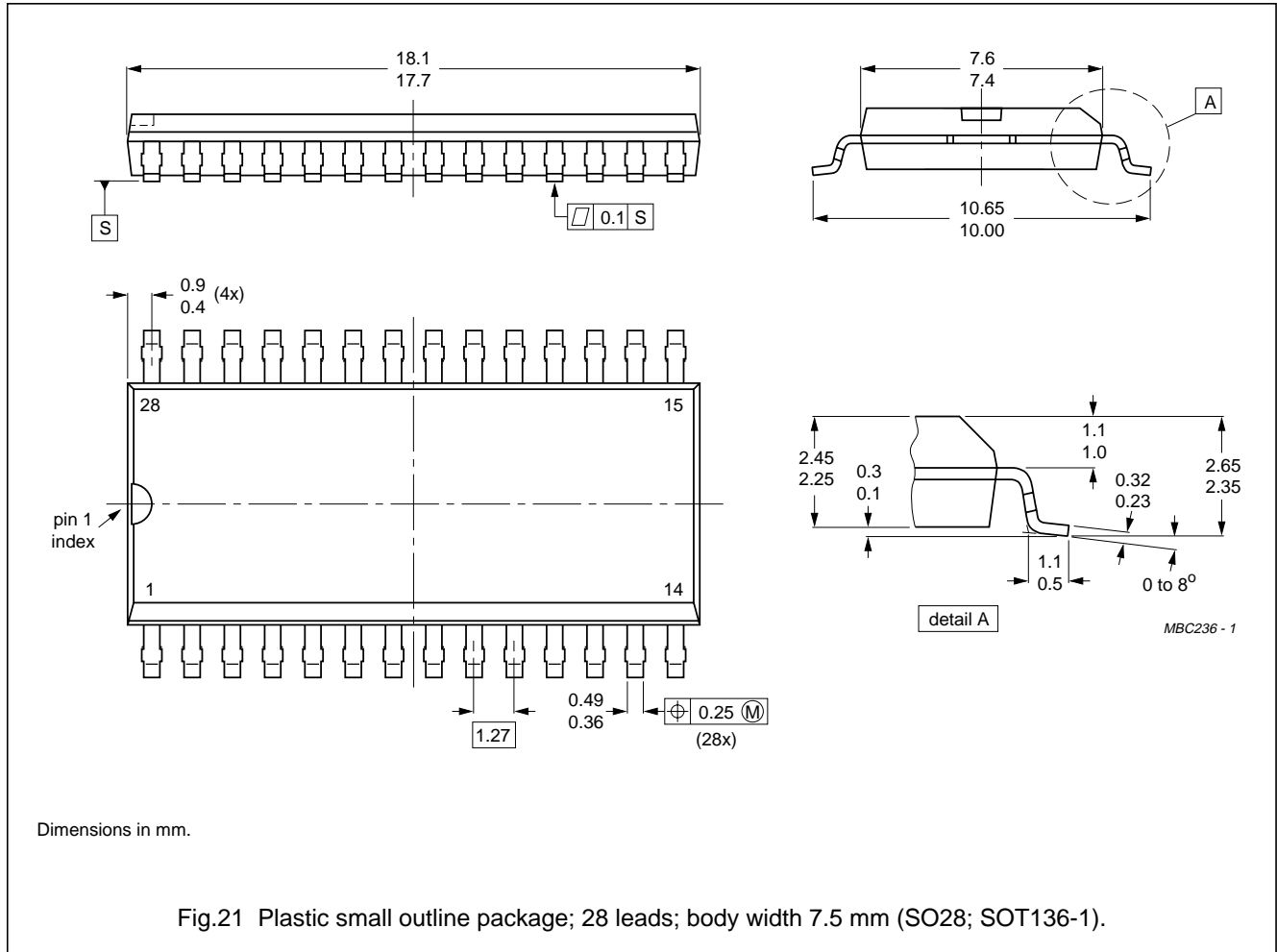
TDA1546T



Bitstream Continuous Calibration DAC with digital sound processing (BCC-DAC)

TDA1546T

14 PACKAGE OUTLINE



Bitstream Continuous Calibration DAC with digital sound processing (BCC-DAC)

TDA1546T

15 SOLDERING

15.1 Plastic small-outline packages

15.1.1 BY WAVE

During placement and before soldering, the component must be fixed with a droplet of adhesive. After curing the adhesive, the component can be soldered. The adhesive can be applied by screen printing, pin transfer or syringe dispensing.

Maximum permissible solder temperature is 260 °C, and maximum duration of package immersion in solder bath is 10 s, if allowed to cool to less than 150 °C within 6 s. Typical dwell time is 4 s at 250 °C.

A modified wave soldering technique is recommended using two solder waves (dual-wave), in which a turbulent wave with high upward pressure is followed by a smooth laminar wave. Using a mildly-activated flux eliminates the need for removal of corrosive residues in most applications.

15.1.2 BY SOLDER PASTE REFLOW

Reflow soldering requires the solder paste (a suspension of fine solder particles, flux and binding agent) to be

applied to the substrate by screen printing, stencilling or pressure-syringe dispensing before device placement.

Several techniques exist for reflowing; for example, thermal conduction by heated belt, infrared, and vapour-phase reflow. Dwell times vary between 50 and 300 s according to method. Typical reflow temperatures range from 215 to 250 °C.

Preheating is necessary to dry the paste and evaporate the binding agent. Preheating duration: 45 min at 45 °C.

15.1.3 REPAIRING SOLDERED JOINTS (BY HAND-HELD SOLDERING IRON OR PULSE-HEATED SOLDER TOOL)

Fix the component by first soldering two, diagonally opposite, end pins. Apply the heating tool to the flat part of the pin only. Contact time must be limited to 10 s at up to 300 °C. When using proper tools, all other pins can be soldered in one operation within 2 to 5 s at between 270 and 320 °C. (Pulse-heated soldering is not recommended for SO packages.)

For pulse-heated solder tool (resistance) soldering of VSO packages, solder is applied to the substrate by dipping or by an extra thick tin/lead plating before package placement

16 DEFINITIONS

Data sheet status	
Objective specification	This data sheet contains target or goal specifications for product development.
Preliminary specification	This data sheet contains preliminary data; supplementary data may be published later.
Product specification	This data sheet contains final product specifications.
Limiting values	
Limiting values given are in accordance with the Absolute Maximum Rating System (IEC 134). Stress above one or more of the limiting values may cause permanent damage to the device. These are stress ratings only and operation of the device at these or at any other conditions above those given in the Characteristics sections of the specification is not implied. Exposure to limiting values for extended periods may affect device reliability.	
Application information	
Where application information is given, it is advisory and does not form part of the specification.	

17 LIFE SUPPORT APPLICATIONS

These products are not designed for use in life support appliances, devices, or systems where malfunction of these products can reasonably be expected to result in personal injury. Philips customers using or selling these products for use in such applications do so at their own risk and agree to fully indemnify Philips for any damages resulting from such improper use or sale.

Bitstream Continuous Calibration DAC with
digital sound processing (BCC-DAC)

TDA1546T

NOTES

Bitstream Continuous Calibration DAC with
digital sound processing (BCC-DAC)

TDA1546T

NOTES

Philips Semiconductors – a worldwide company

Argentina: IEROD, Av. Juramento 1992 - 14.b, (1428)
BUENOS AIRES, Tel. (541)786 7633, Fax. (541)786 9367

Australia: 34 Waterloo Road, NORTH RYDE, NSW 2113,
Tel. (02)805 4455, Fax. (02)805 4466

Austria: Triester Str. 64, A-1101 WIEN, P.O. Box 213,
Tel. (01)60 101-1236, Fax. (01)60 101-1211

Belgium: Postbus 90050, 5600 PB EINDHOVEN, The Netherlands,
Tel. (31)40 783 749, Fax. (31)40 788 399

Brazil: Rua do Rocio 220 - 5th floor, Suite 51,
CEP: 04552-903-SÃO PAULO-SP, Brazil.
P.O. Box 7383 (01064-970).

Tel. (011)821-2333, Fax. (011)829-1849

Canada: PHILIPS SEMICONDUCTORS/COMPONENTS:
Tel. (800) 234-7381, Fax. (708) 296-8556

Chile: Av. Santa Maria 0760, SANTIAGO,
Tel. (02)773 816, Fax. (02)777 6730

Colombia: IPRELENZO LTDA, Carrera 21 No. 56-17,
77621 BOGOTA, Tel. (571)249 7624/(571)217 4609,
Fax. (571)217 4549

Denmark: Prags Boulevard 80, PB 1919, DK-2300 COPENHAGEN S,
Tel. (032)88 2636, Fax. (031)57 1949

Finland: Sinikalliontie 3, FIN-02630 ESPOO,
Tel. (9)0-50261, Fax. (9)0-520971

France: 4 Rue du Port-aux-Vins, BP317,
92156 SURESNES Cedex,
Tel. (01)4099 6161, Fax. (01)4099 6427

Germany: P.O. Box 10 63 23, 20043 HAMBURG,
Tel. (040)3296-0, Fax. (040)3296 213.

Greece: No. 15, 25th March Street, GR 17778 TAVROS,
Tel. (01)4894 339/4894 911, Fax. (01)4814 240

Hong Kong: PHILIPS HONG KONG Ltd., 6/F Philips Ind. Bldg.,
24-28 Kung Yip St., KWAI CHUNG, N.T.,
Tel. (852)424 5121, Fax. (852)428 6729

India: Philips INDIA Ltd, Shivsagar Estate, A Block,
Dr. Annie Besant Rd. Worli, Bombay 400 018
Tel. (022)4938 541, Fax. (022)4938 722

Indonesia: Philips House, Jalan H.R. Rasuna Said Kav. 3-4,
P.O. Box 4252, JAKARTA 12950,
Tel. (021)5201 122, Fax. (021)5205 189

Ireland: Newstead, Clonskeagh, DUBLIN 14,
Tel. (01)640 000, Fax. (01)640 200

Italy: PHILIPS SEMICONDUCTORS S.r.l.,
Piazza IV Novembre 3, 20124 MILANO,
Tel. (0039)2 6752 2531, Fax. (0039)2 6752 2557

Japan: Philips Bldg 13-37, Kohnan2-chome, Minato-ku, TOKYO 108,
Tel. (03)3740 5028, Fax. (03)3740 0580

Korea: (Republic of) Philips House, 260-199 Itaewon-dong,
Yongsan-ku, SEOUL, Tel. (02)794-5011, Fax. (02)798-8022

Malaysia: No. 76 Jalan Universiti, 46200 PETALING JAYA,
SELANGOR, Tel. (03)750 5214, Fax. (03)757 4880

Mexico: 5900 Gateway East, Suite 200, EL PASO, TX 79905,
Tel. 9-5(800)234-7381, Fax. (708)296-8556

Netherlands: Postbus 90050, 5600 PB EINDHOVEN, Bldg. VB
Tel. (040)783749, Fax. (040)788399

New Zealand: 2 Wagener Place, C.P.O. Box 1041, AUCKLAND,
Tel. (09)849-4160, Fax. (09)849-7811

Norway: Box 1, Manglerud 0612, OSLO,
Tel. (022)74 8000, Fax. (022)74 8341

Pakistan: Philips Electrical Industries of Pakistan Ltd.,
Exchange Bldg. ST-2/A, Block 9, KDA Scheme 5, Clifton,
KARACHI 75600, Tel. (021)587 4641-49,
Fax. (021)577035/5874546.

Philippines: PHILIPS SEMICONDUCTORS PHILIPPINES Inc,
196 Valero St. Salcedo Village, P.O. Box 2108 MCC, MAKATI,
Metro MANILA, Tel. (02)810 0161, Fax. (02)817 3474

Portugal: PHILIPS PORTUGUESA, S.A.,
Rua dr. António Loureiro Borges 5, Arquiparque - Miraflores,
Apartado 300, 2795 LINDA-A-VELHA,
Tel. (01)4163160/4163333, Fax. (01)4163174/4163366.

Singapore: Lorong 1, Toa Payoh, SINGAPORE 1231,
Tel. (65)350 2000, Fax. (65)251 6500

South Africa: S.A. PHILIPS Pty Ltd.,
195-215 Main Road Martindale, 2092 JOHANNESBURG,
P.O. Box 7430 Johannesburg 2000,
Tel. (011)470-5911, Fax. (011)470-5494.

Spain: Balmes 22, 08007 BARCELONA,
Tel. (03)301 6312, Fax. (03)301 42 43

Sweden: Kottbygatan 7, Akalla. S-164 85 STOCKHOLM,
Tel. (0)8-632 2000, Fax. (0)8-632 2745

Switzerland: Allmendstrasse 140, CH-8027 ZÜRICH,
Tel. (01)488 2211, Fax. (01)481 77 30

Taiwan: PHILIPS TAIWAN Ltd., 23-30F, 66, Chung Hsiao West
Road, Sec. 1, Taipei, Taiwan ROC, P.O. Box 22978,
TAIPEI 100, Tel. (02)388 7666, Fax. (02)382 4382.

Thailand: PHILIPS ELECTRONICS (THAILAND) Ltd.,
209/2 Sanpavuth-Bangna Road Prakanong,
Bangkok 10260, THAILAND,
Tel. (662)398-0141, Fax. (662)398-3319.

Turkey: Talatpasa Cad. No. 5, 80640 GÜLTEPE/ISTANBUL,
Tel. (0212)279 2770, Fax. (0212)269 3094

United Kingdom: Philips Semiconductors LTD.,
276 Bath Road, Hayes, MIDDLESEX UB3 5BX,
Tel. (081)730-5000, Fax. (081)754-8421

United States: 811 East Arques Avenue, SUNNYVALE,
CA 94088-3409, Tel. (800)234-7381, Fax. (708)296-8556

Uruguay: Coronel Mora 433, MONTEVIDEO,
Tel. (02)70-4044, Fax. (02)92 0601

For all other countries apply to: Philips Semiconductors,
International Marketing and Sales, Building BE-p,
P.O. Box 218, 5600 MD, EINDHOVEN, The Netherlands,
Telex 35000 phtcnl, Fax. +31-40-724825

SCD36 © Philips Electronics N.V. 1994

All rights are reserved. Reproduction in whole or in part is prohibited without the prior written consent of the copyright owner.

The information presented in this document does not form part of any quotation or contract, is believed to be accurate and reliable and may be changed without notice. No liability will be accepted by the publisher for any consequence of its use. Publication thereof does not convey nor imply any license under patent- or other industrial or intellectual property rights.

Printed in The Netherlands

513061/1500/01/pp40
Document order number:

Date of release: January 1995
9397 746 30011

Philips Semiconductors



PHILIPS