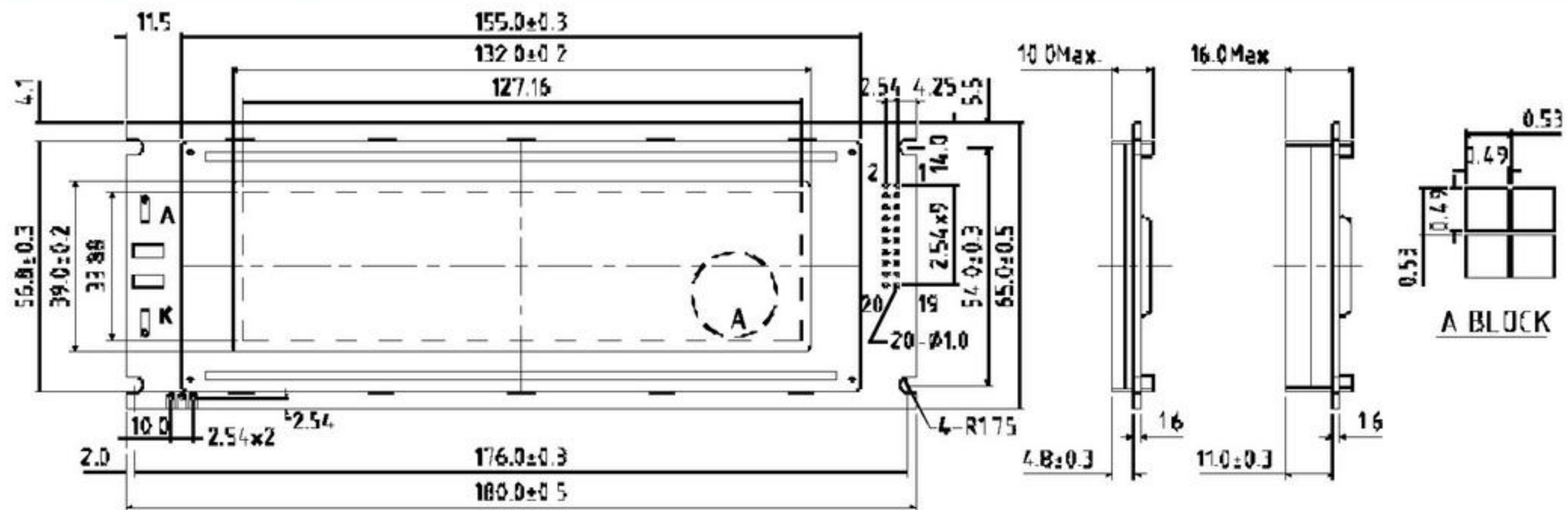


## ■ External Dimensions



Ref\_EL\_B/L

LED\_B/L