

EIAJ Sound Multiplexing Decoder

Description

The CXA2202N, is a bipolar IC designed as EIAJ TV sound multiplexing decoder, provides various functions including sound multiplexing demodulation, broadcast mode identification (stereo/bilingual discrimination display), mode display, and muting.

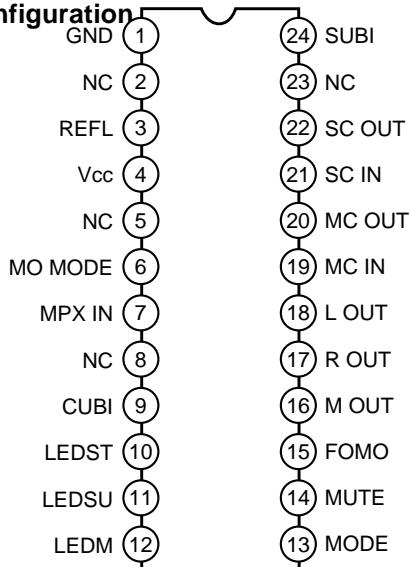
Features

- Adjustment free of filter
- High frequency stereo separation improved
- An internal active filter greatly reduces the external parts
- Use of the countdown method for broadcast mode identification eliminates the necessity of adjusting the identification system (Cue oscillator)
- Internal filter eliminates interference from digital facsimile signals
- The discrimination time needed to shift from multiplexing sound to monaural sound is reduced.
- Output level: 520mVrms (1kHz, monaural, 100%)
- Forced monaural mode can be set to operate only for stereo broadcasts or for stereo/bilingual broadcasts.

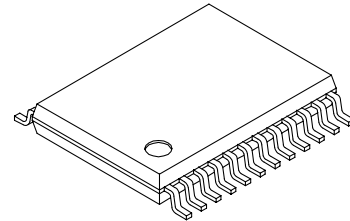
Applications

- Color TVs
- Hi-Fi VCRs

Pin Configuration



24 pin SSOP (Plastic)



Structure

Bipolar silicon monolithic IC

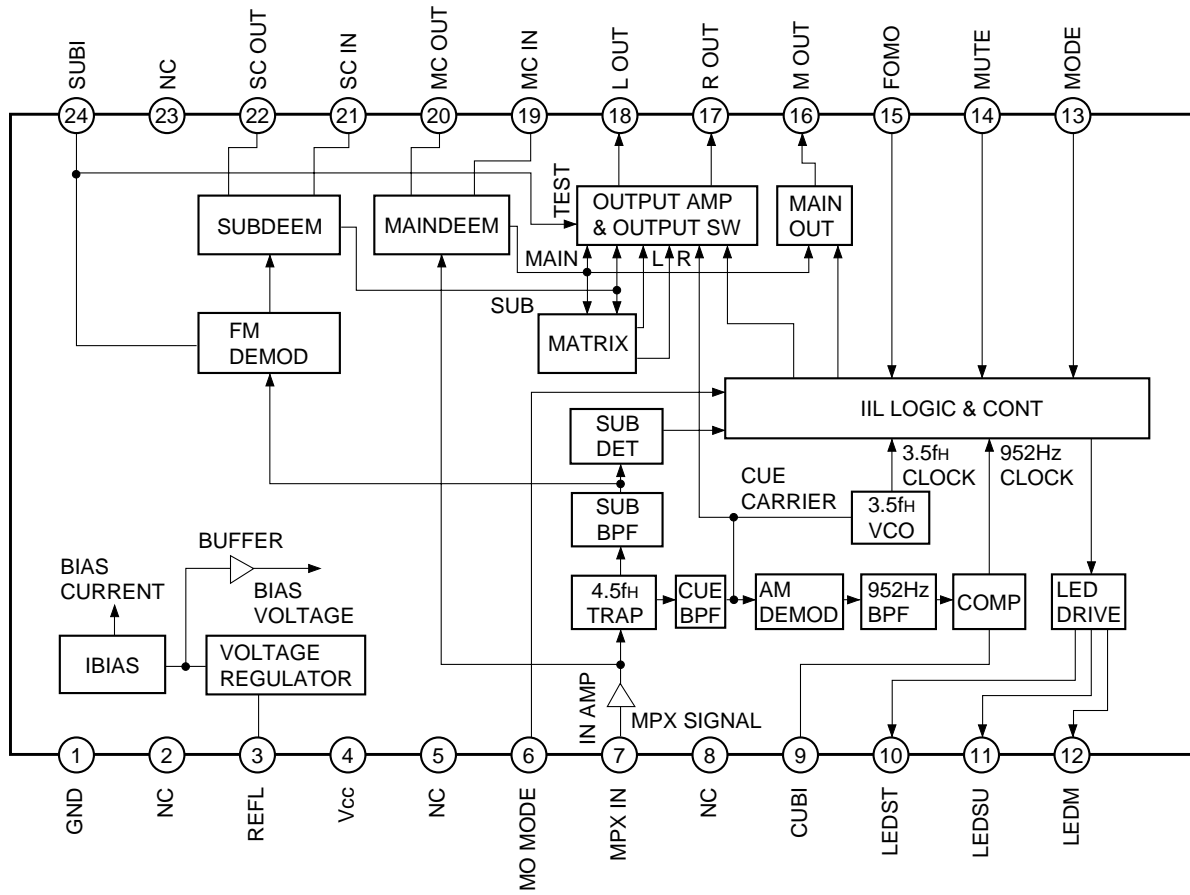
Absolute Maximum Ratings (Ta = 25°C)

| | | | |
|---|------|-------------|------|
| • Supply voltage | Vcc | 10 | V |
| • Input signal (Pin 7) | Vis | 0.6 | Vp-p |
| • Control voltage (Pins 6, 13, 14, 15) | Vic | Vcc | V |
| • Operating temperature | Topr | -20 to +75 | °C |
| • Storage temperature | Tstg | -65 to +150 | °C |
| • Allowable power dissipation | PD | 520 | mW |
| • LED drive current | ILED | 10 | mA |

Operating Supply Voltage Range 8.5 to 9.5 V

Sony reserves the right to change products and specifications without prior notice. This information does not convey any license by any implication or otherwise under any patents or other right. Application circuits shown, if any, are typical examples illustrating the operation of the devices. Sony cannot assume responsibility for any problems arising out of the use of these circuits.

Block Diagram



Pin Description

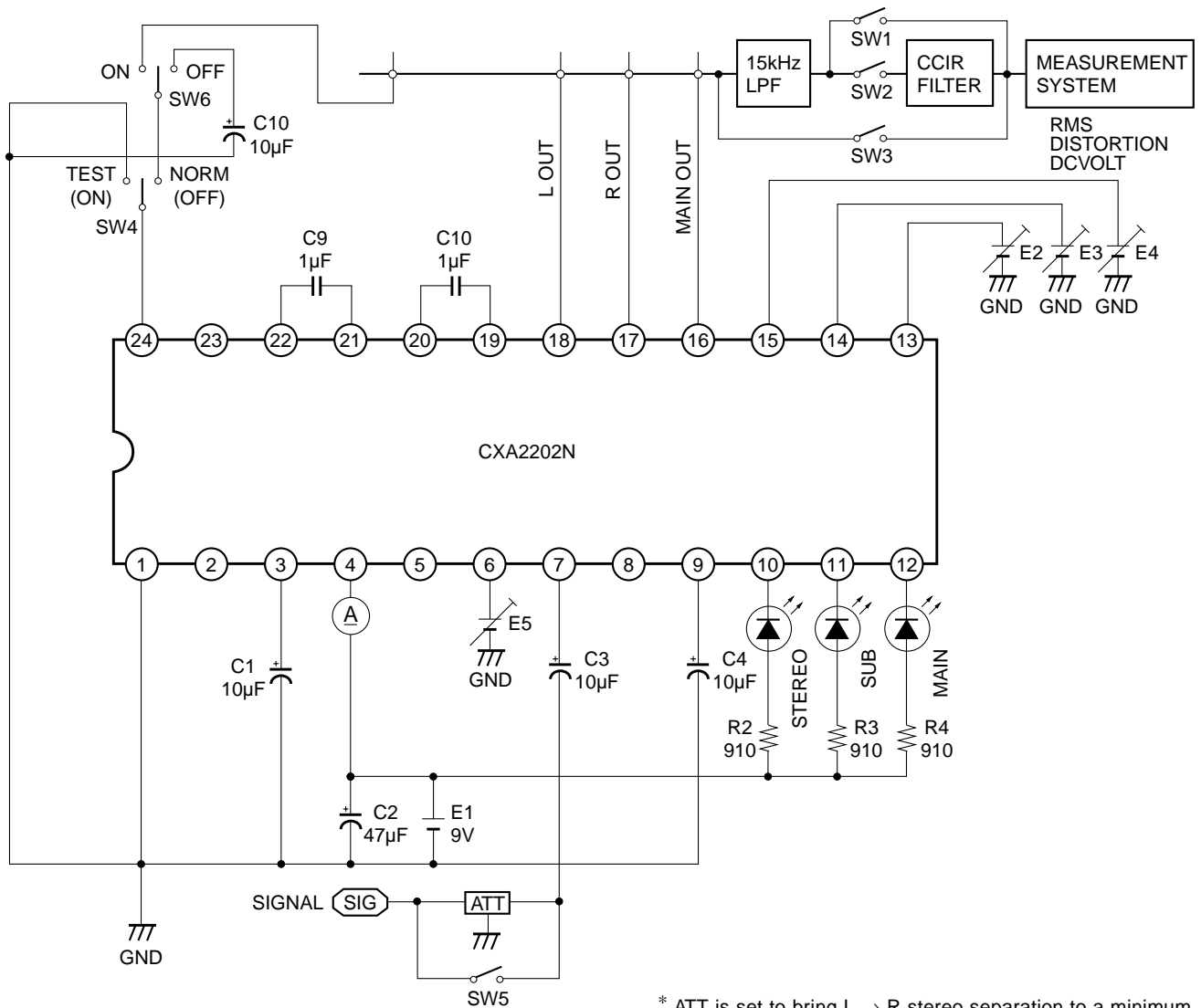
(Ta = 25°C, Vcc = 9V)

| Pin No. | Symbol | Pin voltage | Equivalent circuit | Description |
|-------------------|---------|-------------|--------------------|--|
| 1 | GND | 0 | | GND. |
| 2 5 8 23 | NC | — | — | Keep these pins open. (They are not connected to the chip.) |
| 3 | REFL | 1.2V | | The noise elimination filter connection of internal reference voltage. |
| 4 | Vcc | — | | Power supply. |
| 6 | MO MODE | — | | Forced monaural mode selection. When Low or open, the forced monaural mode operates for stereo broadcasts only; if High, the forced monaural mode operates for both stereo and bilingual broadcasts. |
| 7 | MPX IN | 4.1V | | Sound multiplexing signal input. Typical input level = 70mVrms (monaural, 100%) |
| 9 | CUBI | 4.1V | | Bias capacitor connection of Cue pulse generator. |

| Pin No. | Symbol | Pin voltage | Equivalent circuit | Description |
|---------|--------|-------------|--------------------|---|
| 10 | LEDST | — | | Mode indicator LED connection. Pin 10: stereo Pin 11: sub Pin 12: main |
| 11 | LEDSU | | | |
| 12 | LEDM | | | |
| 13 | MODE | — | | DC voltage-based output mode switch for bilingual broadcasts. |
| 14 | MUTE | — | | Output muting. When High, only DC is output from Pins 16, 17 and 18. |
| 15 | FOMO | — | | Forced monaural. When High, forced monaural (main sound) mode is selected and the LED turns off. |
| 16 | M OUT | 4.1V | | Main signal output. Always outputs the main signal component, regardless of the broadcast mode. |

| Pin No. | Symbol | Pin voltage | Equivalent circuit | Description |
|---------|--------|-------------|--------------------|--|
| 17 | R OUT | 4.1V | | R-ch output. |
| 18 | L OUT | 4.1V | | L-ch output. During "TEST", the Cue signal component passed through the Cue BPF is output. |
| 19 | MC IN | 4.1V | | DC cut capacitor connection of main signal. |
| 20 | MC OUT | 3.4V | | |
| 21 | SC IN | 4.1V | | DC cut capacitor connection of sub signal. |
| 22 | SC OUT | 3.9V | | |
| 24 | SUBI | 4.1V | | Bias capacitor connection of sub FM detector. "TEST" mode, used for filter adjustment, is activated by grounding this pin. |

Electrical Characteristics Measurement Circuit



* ATT is set to bring L → R stereo separation to a minimum.

Electrical Characteristics

(Ta = 25°C, Vcc = 9V)

| No. | Item | Symbol | SW conditions | Bias conditions | Conditions | Measurement point | Min. | Typ. | Max. | Unit |
|-----|-------------------------------------|--------|---------------|-----------------|---|-------------------|-------|-------|-------|-------|
| 1 | Current consumption | Icc | 1 | 1 | Measure current input to Pin 4 | Pin 4 | 17 | 25 | 36 | mA |
| 2 | Sub output level 400Hz | Vs1 | 4 | 2 and 3 | Input signal: SIG1 Measure output amplitude (400Hz, sine wave) of Pins 17 and 18: Vs1 (15kLPF) | Pins 17 and 18*1 | 480 | 580 | 690 | mVrms |
| 3 | Sub frequency characteristics 1kHz | Fs1 | 4 | 2 and 3 | Input signal: SIG2 Measure output amplitude (1kHz, sine wave) of Pins 17 and 18: Vs2 $Fs1 = 20 \log \frac{Vs2}{Vs1}$ (15kLPF) | Pins 17 and 18*1 | -1.6 | -0.6 | 0 | dB |
| 4 | Sub frequency characteristics 10kHz | Fs2 | 4 | 2 and 3 | Input signal: SIG3 Measure output amplitude (10kHz, sine wave) of Pins 17 and 18: Vs3 $Fs2 = 20 \log \frac{Vs3}{Vs1}$ (15kLPF) | Pins 17 and 18*1 | -19.0 | -16.5 | -14.0 | dB |
| 5 | Sub distortion | Ds | 4 | 2 and 3 | Input signal: SIG2 Measure distortion of output signal (1kHz, sine wave) of Pins 17 and 18 (15kLPF) | Pins 17 and 18*1 | — | 1 | 2 | % |
| 6 | Sub S/N ratio | Ns | 4 | 2 and 3 | Input signal: SIG2 Measure S/N ratio of output (1kHz) of Pins 17 and 18 (15kLPF. RMS) | Pins 17 and 18*1 | 59 | 64 | — | dB |
| 7 | Stereo distortion L-ch | Dstl | 4 | 2 | Input signal: SIG4 Measure distortion of output signal (1kHz, sine wave) of Pin 18 (15kLPF) | Pin 18 | — | 0.2 | 1.5 | % |
| 8 | Stereo distortion R-ch | Dstr | 4 | 2 | Input signal: SIG5 Measure distortion of output signal (1kHz, sine wave) of Pin 17 (15kLPF) | Pin 17 | — | 0.2 | 1.5 | % |

*1 When bias condition is "3", measurement point is Pin 17 only.

| No. | Item | Symbol | SW conditions | Bias conditions | Conditions | Measurement point | Min. | Typ. | Max. | Unit |
|-----|--------------------------------------|--------|---------------|-----------------|---|-------------------|-------|-------|-------|-------|
| 9 | Stereo output level L-ch 1kHz | Vstl | 4 | 2 | Input signal: SIG4 Measure output amplitude (1kHz, sine wave) of Pin 18 (15kLPF) | Pin 18 | 440 | 540 | 640 | mVrms |
| 10 | Stereo output level R-ch 1kHz | Vstr | 4 | 2 | Input signal: SIG5 Measure output amplitude (1kHz, sine wave) of Pin 17 (15kLPF) | Pin 17 | 440 | 540 | 640 | mVrms |
| 11 | Main output level MAIN OUT | Vm1 | 4 | 2 | Input signal: SIG6 Measure output signal (400Hz, sine wave) of Pin 16 (15kLPF) | Pin 16 | 480 | 580 | 690 | mVrms |
| 12 | Main output level | Vm2 | 4 | 2 | Input signal: SIG6 Measure amplitude of output signal (400Hz, sine wave) of Pins 17 and 18 (15kLPF) | Pins 17 and 18 | 480 | 580 | 690 | mVrms |
| 13 | Main frequency characteristics 1kHz | Fm1 | 4 | 2 | Input signal: SIG7 Measure output amplitude (1kHz, sine wave) of Pins 17 and 18: Vm3 $Fm1 = 20 \log \frac{Vm3}{Vm2}$ (15kLPF) | Pins 17 and 18 | -1.6 | -0.6 | 0 | dB |
| 14 | Main frequency characteristics 10kHz | Fm2 | 4 | 2 | Input signal: SIG8 Measure output amplitude (10kHz, sine wave) of Pins 17 and 18: Vm4 $Fm2 = 20 \log \frac{Vm4}{Vm2}$ (15kLPF) | Pins 17 and 18 | -16.0 | -14.0 | -12.0 | dB |
| 15 | Main distortion MAIN OUT | Dm1 | 4 | 2 | Input signal: SIG7 Measure distortion of output signal (1kHz, sine wave) of Pin 16 (15kLPF) | Pin 16 | — | 0.2 | 1 | % |
| 16 | Main distortion | Dm2 | 4 | 2 | Input signal: SIG7 Measure distortion of output signal (1kHz, sine wave) of Pins 17 and 18 (15kLPF) | Pins 17 and 18 | — | 0.2 | 1 | % |

| No. | Item | Symbol | SW conditions | Bias conditions | Conditions | Measurement point | Min. | Typ. | Max. | Unit |
|-----|----------------------------------|--------|---------------|-----------------|--|-------------------|------|------|------|------|
| 17 | Main distortion at maximum input | Dm3 | 4 | 2 | Input signal: SIG9 Measure distortion of output signal (1kHz, sine wave) of Pins 17 and 18 (15kLPF) | Pins 17 and 18 | — | 0.3 | 2 | % |
| 18 | Main S/N ratio | Nm | 4 | 2 | Input signal: SIG7 Measure S/N ratio of output signal (1kHz) of Pins 17 and 18 (15kLPF, RMS) | Pins 17 and 18 | 65 | 73 | — | dB |
| 19 | Stereo separation L → R | Sstr | 4 | 2 | Input signal: SIG4 Sstr = $20 \log \frac{\text{Output amplitude Pin 18}}{\text{Output amplitude Pin 17}}$ (dB) (15kLPF) | Pins 17 and 18 | 35 | 45 | — | dB |
| 20 | Stereo separation R → L | Sstl | 4 | 2 | Input signal: SIG5 Sstl = $20 \log \frac{\text{Output amplitude Pin 17}}{\text{Output amplitude Pin 18}}$ (dB) (15kLPF) | Pins 17 and 18 | 35 | 45 | — | dB |
| 21 | Cross talk MAIN → SUB | Cms1 | 2 | 2 | Input signal: SIG15 Calculate the level difference between the output amplitude of Pins 17 and 18 (Vms1) and the measured value (Vm3) in measurement No. 13 $Cms1 = 20 \log \frac{Vm3}{Vms1}$ (dB) (15kLPF, 1kBPf) | Pins 17 and 18 | 55 | 58 | — | dB |
| 22 | Cross talk SUB → MAIN | Csm1 | 2 | 1 | Input signal: SIG2 Calculate the level difference between the output amplitude of Pins 17 and 18 (Vsm1) and the measured value (Vs2) in measurement No. 3. $Csm1 = 20 \log \frac{Vs2}{Vsm1}$ (dB) (15kLPF, 1kBPf) | Pins 17 and 18 | 60 | 70 | — | dB |

| No. | Item | Symbol | SW conditions | Bias conditions | Conditions | Measurement point | Min. | Typ. | Max. | Unit |
|-----|---------------------------------------|--------|---------------|-----------------|--|-------------------|------|------|------|-------|
| 23 | Cross talk MAIN → SUB BOTH mode | Cms2 | 2 | 3 | Input signal: SIG15 Calculate the level difference between the output amplitude of Pin 17 (Vms2) and the output amplitude of Pin 18 (Vms3). $Cms2 = 20 \log \frac{Vms3}{Vms2}$ (dB) (15kLPF, 1kBPF) | Pins 17 and 18 | 55 | 58 | — | dB |
| 24 | Cross talk SUB → MAIN BOTH mode | Csm2 | 2 | 3 | Input signal: SIG2 Calculate the level difference between the output amplitude of Pin 18 (Vsm2) and the output amplitude of Pin 17 (Vsm3). $Csm2 = 20 \log \frac{Vsm3}{Vsm2}$ (dB) (15kLPF, 1kBPF) | Pins 17 and 18 | 60 | 70 | — | dB |
| 25 | Residual carrier SUB | Lcs | 3 | 2 | Input signal: SIG11 Measure subcarrier component amplitude of the output of Pins 17 and 18. | Pins 17 and 18 | — | 10 | 30 | mVrms |
| 26 | Residual carrier MAIN | Lcm | 3 | 1 | Input signal: SIG11 Measure the subcarrier component amplitude of the output of Pins 17 and 18. | Pins 17 and 18 | — | 12 | 20 | mVrms |
| 27 | Mute volume MAIN | Mm | 4 | 4 | Input signal: SIG7 Calculate the level difference between the output amplitude of Pins 17 and 18 (VMm) and the measured value (Vm3) in measurement No. 13. $Mm = 20 \log \frac{Vm3}{VMm}$ (dB) (15kLPF, 1kBPF) | Pins 17 and 18 | 70 | 80 | — | dB |

| No. | Item | Symbol | SW conditions | Bias conditions | Conditions | Measurement point | Min. | Typ. | Max. | Unit |
|-----|---------------------------|--------|---------------|-----------------|--|-------------------|------|------|------|------|
| 28 | Mute volume SUB | Ms | 4 | 4 | Input signal: SIG2 Calculate the level difference between the output amplitude of Pins 17 and 18 (VMs) and the measured value (Vs2) in measurement No. 3. $Ms = 20 \log \frac{Vs2}{VMs}$ (dB) (15kLPF, 1kBPF) | Pins 17 and 18 | 70 | 80 | — | dB |
| 29 | Mute volume stereo | Mst | 4 | 2 and 4 | Input signals: SIG4, 5 Measure the level difference between the output signals of Pins 17 and 18 under bias conditions 2 and 4. $Mst = 20 \log \frac{\text{Measured value under bias condition 2 (mVrms)}}{\text{Measured value under bias condition 4 (mVrms)}}$ (15kLPF, 1kBPF) | Pins 17 and 18*2 | 70 | 80 | — | dB |
| 30 | DC offset stereo L-ch | Ostl | 3 | 2 and 4 | Input signal: SIG18 Measure the fluctuation in the output DC level of Pin 18 under bias conditions 2 and 4. | Pin 18 | — | 20 | 100 | mV |
| 31 | DC offset stereo R-ch | Ostr | 3 | 2 and 4 | Input signal: SIG18 Measure the fluctuation in the output DC level of Pin 17 under bias conditions 2 and 4. | Pin 17 | — | 20 | 100 | mV |
| 32 | DC offset MAIN OUT | Om | 3 | 2 and 4 | Input signal: No signal Measure the fluctuation in the output DC level of Pin 16 under bias conditions 2 and 4. | Pin 16 | — | 20 | 100 | mV |
| 33 | Cue detection sensitivity | CD | 4 | 2 | Input signal: SIG12 Change SIG12 and measure amount of attenuation at the point "monaural" switches to "Sound multiplex". | — | 9 | 14 | 17 | dB |

*2 Measure Pin 18 for SIG4 input; Pin 17 for SIG5 input.

| No. | Item | Symbol | SW conditions | Bias conditions | Conditions | Measurement point | Min. | Typ. | Max. | Unit |
|-----|------------------------------|--------|---------------|-----------------|---|-------------------|------|------|------|-------|
| 34 | SUB detection sensitivity | SD | 4 | 2 | Input signal: SIG13 Change SIG13 and measure amount of attenuation at the point "monaural" switches to "Sound multiplex". | — | 10 | 13 | 18 | dB |
| 35 | Cue BPF gain | CG | 5 | 2 | Input signal: SIG14 Measure the output amplitude of Pin 18. | Pin 18 | 410 | 600 | 760 | mVrms |
| 36 | 4.5fH trap attenuation level | TG | 6 | 2 | Input signal: SIG16, 17 Measure output amplitude of Pin 24 and then measure the level difference in the output signal for SIG16 input and SIG17 input. TG = $20 \log \frac{\text{Measured value for SIG16 (mVrms)}}{\text{Measured value for SIG17 (mVrms)}}$ | Pin 24 | 20 | 38 | — | dB |

SW Condition Table

| No. | SW | 1 | 2 | 3 | 4 | 5 | 6 |
|-----|----|-----|-----|-----|-----|-----|-----|
| 1 | | off | off | off | off | off | off |
| 2 | | off | on | off | off | off | off |
| 3 | | off | off | on | off | off | off |
| 4 | | on | off | off | off | off | off |
| 5 | | off | off | on | on | on | off |
| 6 | | off | off | on | off | on | on |

BIAS Condition Table

| No. | BIAS | E1 | E2 | E3 | E4 | E5 |
|-----|------|----|------|------|------|------|
| 1 | | 9V | 0.5V | 0.5V | 0.5V | 0.5V |
| 2 | | 9V | 4.5V | 0.5V | 0.5V | 0.5V |
| 3 | | 9V | 2.5V | 0.5V | 0.5V | 0.5V |
| 4 | | 9V | 4.5V | 4.5V | 0.5V | 0.5V |

Input Signal Definition

| | |
|--|---|
| SIG1: Sound MPX signal Main: 0% Sub: 400Hz, 100% MOD Cue: Bilingual | SIG10: Sound MPX signal L-ch: 1kHz, 100% R-ch: 0% Cue: Cue signal off |
| SIG2: Sound MPX signal Main: 0% Sub: 1kHz, 100% MOD Cue: Bilingual | SIG11: Sound MPX signal Main: 0% Sub: 0% (Carrier only) Cue: Bilingual |
| SIG3: Sound MPX signal Main: 0% Sub: 10kHz, 100% MOD Cue: Bilingual | SIG12: Sound MPX signal Main: 0% Sub: 0% (Carrier only) Cue: Bilingual (level adjusted to minimum) |
| SIG4: Sound MPX signal L-ch: 1kHz, 100% R-ch: 0% Cue: Stereo | SIG13: Sound MPX signal Main: 0% Sub: 0% (level adjusted to minimum) Cue: Bilingual |
| SIG5: Sound MPX signal L-ch: 0% R-ch: 1kHz, 100% Cue: Stereo | SIG14: 55.069kHz sine wave 5.6mVrms |
| SIG6: Sound MPX signal Main: 400Hz, 100% Sub: Carrier off Cue: Cue signal off | SIG15: Sound MPX signal Main: 1kHz, 100% Sub: 0% (Carrier only) Cue: Bilingual |
| SIG7: Sound MPX signal Main: 1kHz, 100% Sub: Carrier off Cue: Cue signal off | SIG16: 31.47kHz sine wave 42mVrms |
| SIG8: Sound MPX signal Main: 10kHz, 100% Sub: Carrier off Cue: Cue signal off | SIG17: 70.80kHz sine wave 42mVrms |
| SIG9: Sound MPX signal Main: 1kHz, 300% Sub: Carrier off Cue: Cue signal off | SIG18: Sound MPX signal L-ch: 0% R-ch: 0% Cue: Stereo |

* Sound MPX signal level is defined as 100% MONO at 1Vp-p.

Output and LED On/Off Table

| Broadcast condition | MODE SW | | | Forced monaural MODE | Forced monaural | MUTE | Output condition | | | LED On/Off condition | | |
|---------------------|---------|------|------|----------------------|-----------------|------|------------------|------|-------|----------------------|-----|------|
| | SUB | BOTH | MAIN | | | | L | R | MAIN | STEREO | SUB | MAIN |
| Stereo | × | × | × | × | OFF | OFF | L | R | L + R | ON | OFF | OFF |
| | × | × | × | × | ON | OFF | L+ R | L+ R | L+ R | OFF | OFF | OFF |
| | × | × | × | × | × | ON | DC | DC | DC | OFF | OFF | OFF |
| Bilingual | ON | | | F.MONO | × | OFF | SUB | SUB | MAIN | OFF | ON | OFF |
| | | ON | | F.MONO | × | OFF | MAIN | SUB | MAIN | OFF | ON | ON |
| | | | ON | F.MONO | × | OFF | MAIN | MAIN | MAIN | OFF | OFF | ON |
| | ON | | | F.MAIN | OFF | OFF | SUB | SUB | MAIN | OFF | ON | OFF |
| | | ON | | F.MAIN | OFF | OFF | MAIN | SUB | MAIN | OFF | ON | ON |
| | | | ON | F.MAIN | OFF | OFF | MAIN | MAIN | MAIN | OFF | OFF | ON |
| | × | × | × | F.MAIN | ON | OFF | MAIN | MAIN | MAIN | OFF | OFF | OFF |
| Monaural | × | × | × | × | × | OFF | MONO | MONO | MONO | OFF | OFF | OFF |
| | × | × | × | × | × | ON | DC | DC | DC | OFF | OFF | OFF |

×: No response

Control Voltage Range

| | | Voltage range |
|-------------------------------|--------|----------------------|
| MODE SW Pin 13 | SUB | 4.5V to Vcc |
| | BOTH | 2V to 3V (or open) |
| | MAIN | 0V to 0.5V |
| Forced monaural Pin 15 | on | 3V to Vcc |
| | off | 0V to 0.5V (or open) |
| MUTE Pin 14 | on | 3V to Vcc |
| | off | 0V to 0.5V (or open) |
| Forced monaural mode Pin 6 | F.MAIN | 3V to Vcc |
| | F.MONO | 0V to 0.5V (or open) |

Description of Operation

The sound multiplexing signal input from Pin 7 is passed through IN AMP and is applied to the Cue BPF, Sub BPF, and Main de-emphasis circuit.

1. Discrimination circuits

Cue BPF passes only the Cue signal component from the multiplex signal. In the AM demodulator, the signal (AM wave) is AM detected and one of two sine waves is generated, either a 922.5Hz signal for bilingual broadcasts or a 982.5Hz signal for stereo broadcasts.

In the 952Hz BPF, the 3.5f_H carrier component is eliminated from the Cue signal after AM wave detection. The Cue signal, from which the carrier component has been eliminated, is waveform shaped by COMP, with the resulting 922.5Hz or 982.5Hz pulse being applied to the Logic section.

In the 3.5f_H VCO, a 3.5f_H pulse locked onto the Cue signal carrier (3.5f_H) is created and sent to the Logic section.

In the Logic section, the broadcast mode is identified using the countdown method. Depending on this result as well as the presence of a SUB signal from SUB detector and the MUTE ON/OFF, MODE switching, and FOMO ON/OFF instructions from CONT, the output switching control signal is created. This signal is used to control the output condition of OUTPUT SW and MAIN OUT.

2. Main circuits

In MAIN DEEM, de-emphasis is applied to the Main signal component and the Sub and Cue components are removed.

After passing through the MAIN DEEM, the Main signal is applied to MATRIX, OUTPUT AMP, and MAINOUT.

3. Sub circuits

In SUB BPF, only the SUB signal component out of multiplex signals is passed through. In the 4.5f_H trap, the digital facsimile signal component is removed.

In FM Demod, the SUB signal is FM demodulated.

In SUB DEEM, the FM demodulated Sub signal is de-emphasized and the carrier component is removed.

After passing through SUB DEEM, the Sub signal is applied to MATRIX and OUTPUT AMP.

4. MATRIX and output circuits

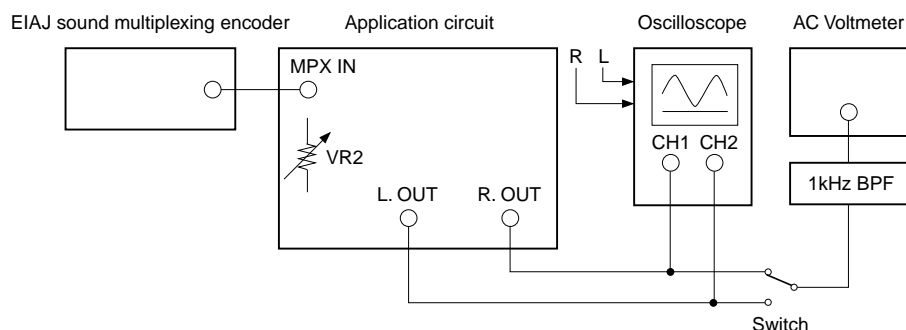
In MATRIX, the L and R signals are created by adding and subtracting the Main signal from MAIN DEEM and the Sub signal from SUB DEEM in stereo broadcast.

In OUTPUT AMP and OUTPUT SW, the output signal is switched under the control of Logic.

In addition, MAIN OUT always outputs the MAIN signal component, regardless of the broadcast mode.

Adjustment

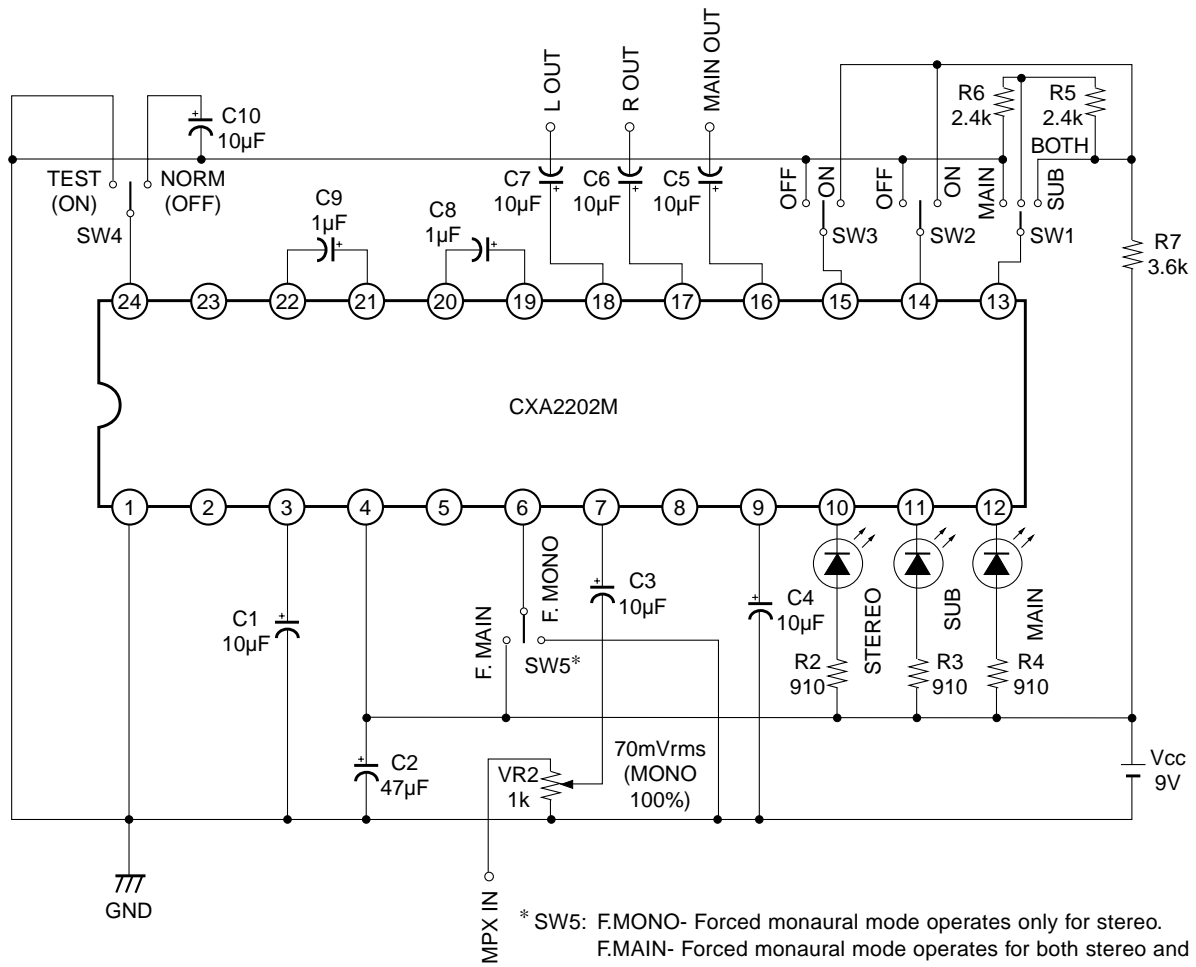
Separation adjustment



Procedure

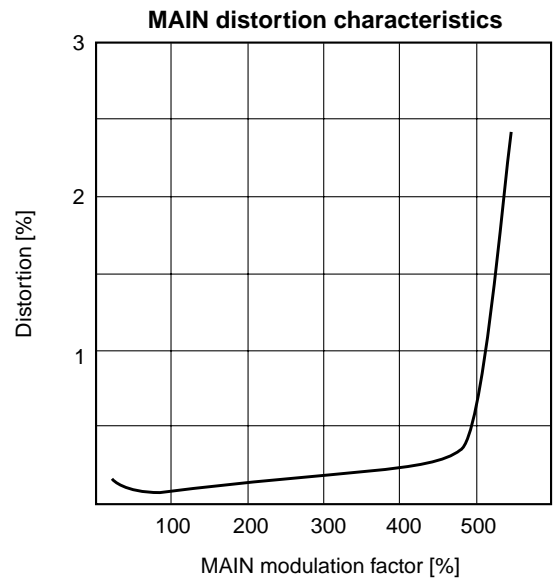
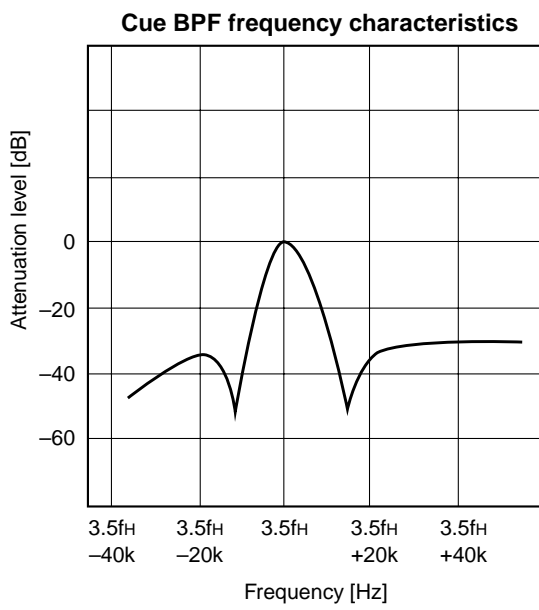
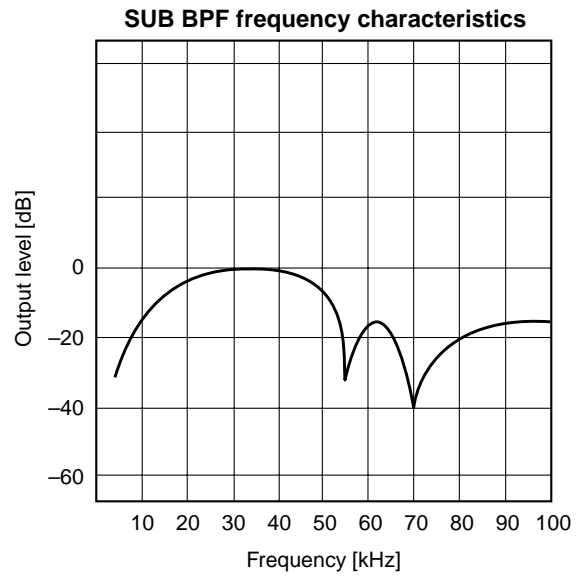
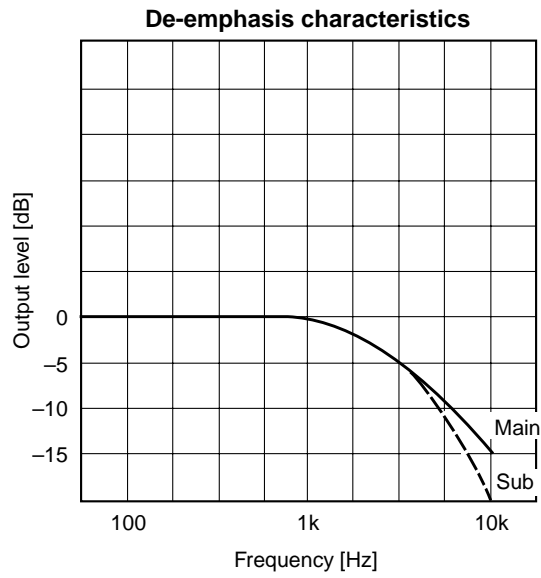
- 1) Connect components as shown in figure above. (Set SW4 to NORM.)
- 2) Set the encoder to stereo mode, and input a 100% modulated 1kHz signal; also set the encoder so that only the L-ch is output.
- 3) Monitor the oscilloscope and AC voltmeter and adjust VR2 so that the R-ch is at a minimum. (Separation standard: 35dB or more)

Application Circuit



Application circuits shown are typical examples illustrating the operation of the devices. Sony cannot assume responsibility for any problems arising out of the use of these circuits or for any infringement of third party patent and other right due to same.

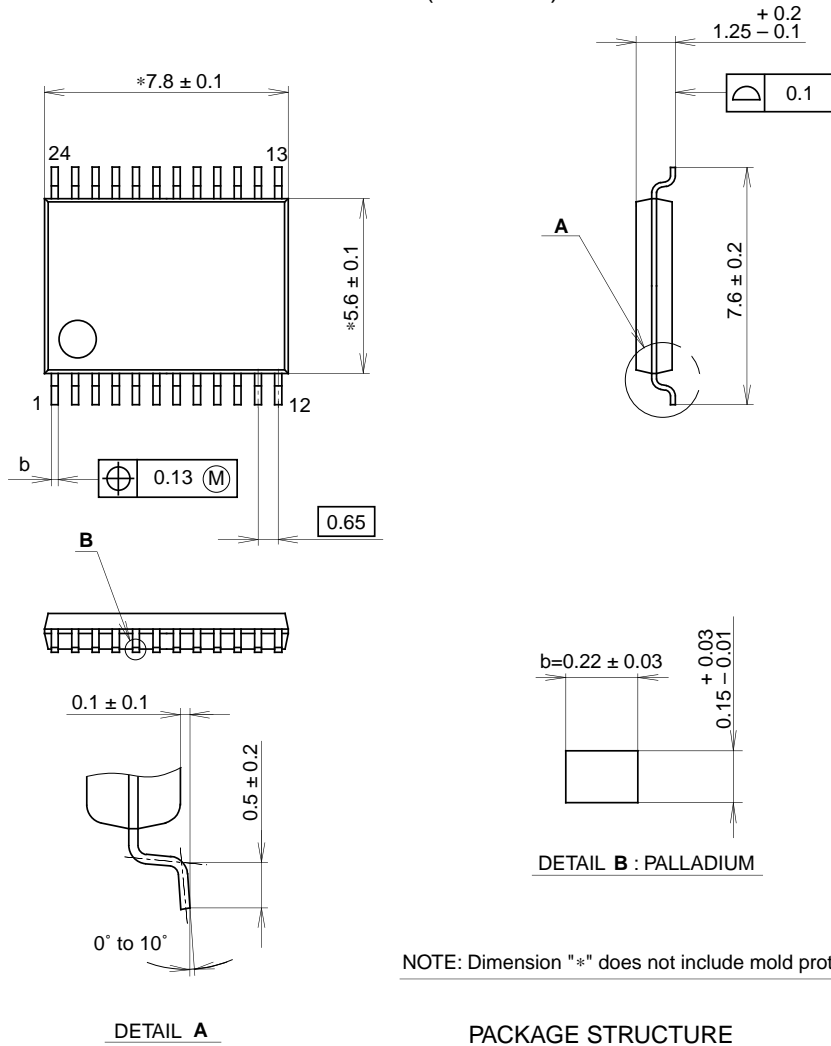
Example of Representative Characteristics



Package Outline

Unit: mm

24PIN SSOP (PLASTIC)



| | |
|------------|-----------------------|
| SONY CODE | SSOP-24P-L01 |
| EIAJ CODE | P-SSOP24-7.8x5.6-0.65 |
| JEDEC CODE | _____ |

PACKAGE STRUCTURE

| | |
|------------------|-------------------|
| PACKAGE MATERIAL | EPOXY RESIN |
| LEAD TREATMENT | PALLADIUM PLATING |
| LEAD MATERIAL | COPPER ALLOY |
| PACKAGE MASS | 0.1g |