

OVERVIEW

The SM8144B is a transformer-less electroluminescent (EL) driver IC, capable of driving displays up to 80 cm² in size. It is a high-efficiency driver that features revised coil switching transistor ON resistance and output circuit configuration to reduce loss, all in a compact package.

A microcontroller interface pin (ENA) is provided, which can be used to control the EL driver ON/OFF function. The device is available in 8-pin VSOP packages.

FEATURES

- Dedicated EL driver
- 1.6 to 5.5 V supply voltage
- 100mA maximum operating current
(V_{DD} = 3.0V, Ta ≤ 70°C)
- 3.5Ω typical output resistance
- 200 Vp-p maximum EL driver voltage*
- 31 to 1500 Hz EL drive frequency range*
- High voltage CMOS Process
- 8-pin VSOP plastic package

*: Adjustable with external resistance.

APPLICATIONS

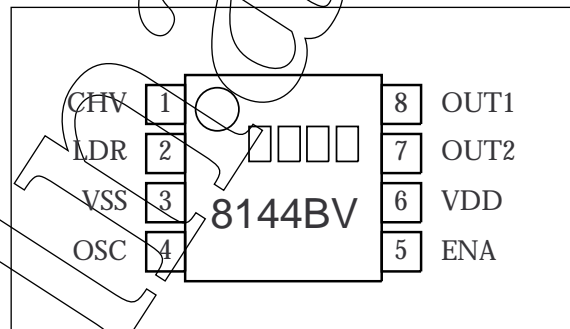
- Hand held PC, Palm size PC
- Mobile IT equipment
- White EL

ORDERING INFORMATION

Device	Package
SM8144BV	8-pin VSOP

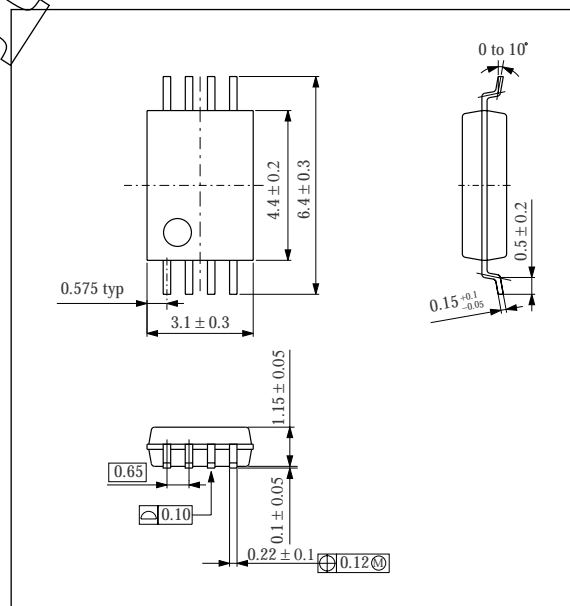
PINOUT

(Top view)

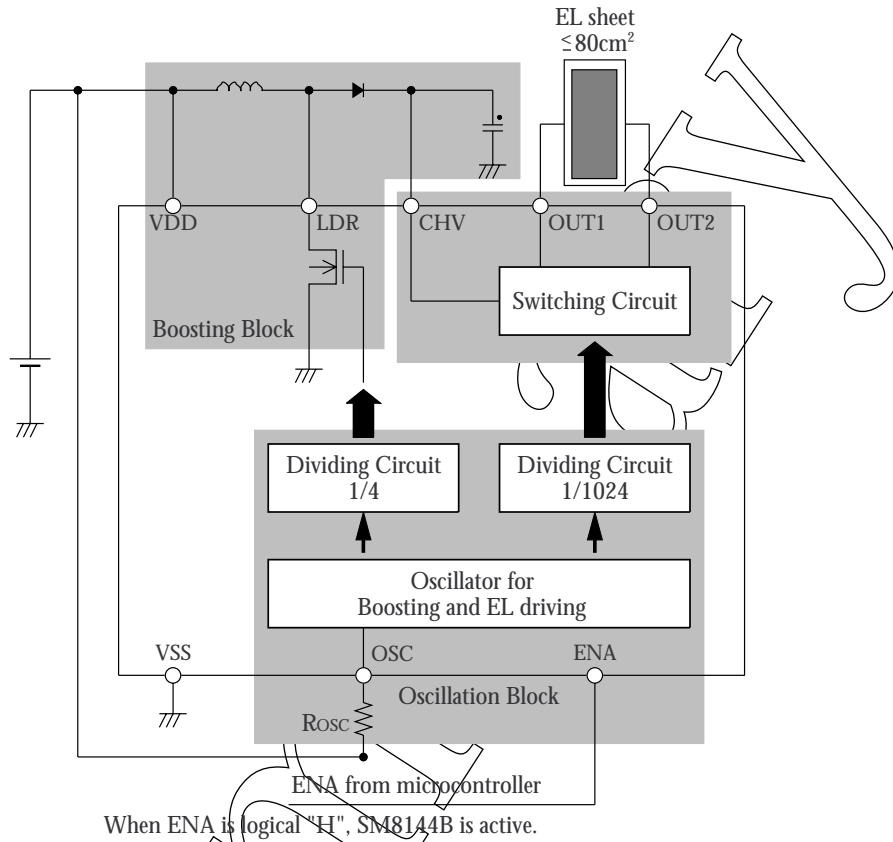


PACKAGE DIMENSIONS

(Unit: mm)



BLOCK DIAGRAM



PIN DESCRIPTION

Pin number	Name	I/O	Function
1	CHV	I	High-voltage DC input
2	LDR	O	Booster coil driver output
3	VSS		Ground
4	OSC	I	Coil and EL driver oscillator (oscillator frequency determined by external resistor)
5	ENA	I	Enable input (built-in pull-down resistor)
6	VDD	-	Supply
7	OUT2	O	Output 2
8	OUT1	O	Output 1

SPECIFICATIONS

Absolute Maximum Ratings

Parameter	Symbol	Condition	Rating	Unit
Supply voltage range	V_{DD}		- 0.3 to 7.0	V
Input voltage range	V_{IN}	All Input pins	$V_{SS} - 0.3$ to $V_{DD} + 0.3$	V
Output voltage	V_{CHV}	CHV pin	0.5 to 120	V
	V_{LDR}	LDR pin	0.5 to 120	V
	$V_{OUT1/2}$	OUT1, OUT2 pin	0.5 to 120	V
Power dissipation	P_D	$T_a \leq 70^\circ\text{C}$	140	mW
		$T_a \leq 85^\circ\text{C}$	100	mW
Storage temperature range	T_{STG}		- 55 to 125	$^\circ\text{C}$

Recommended Operating Conditions

Parameter	Symbol	Condition	Rating			Unit
			min	typ	max	
Supply voltage range	V_{DD2}		1.6	3.0	5.5	V
Operating temperature	T_{OPR}		- 40	-	85	$^\circ\text{C}$
Operating current ¹	I_{DD2}	Including coil current, $V_{DD} = 3.0\text{V}, T_a \leq 70^\circ\text{C}$	-	-	100	mA
		Including coil current, $V_{DD} = 5.0\text{V}, T_a \leq 70^\circ\text{C}$	-	-	60	mA
		Including coil current, $V_{DD} = 3.0\text{V}, T_a \leq 85^\circ\text{C}$	-	-	70	mA
		Including coil current, $V_{DD} = 5.0\text{V}, T_a \leq 85^\circ\text{C}$	-	-	42	mA
Coil inductance	L_{LDR}	$f_{LDR} = 64\text{ kHz}$	-	0.47	-	mH

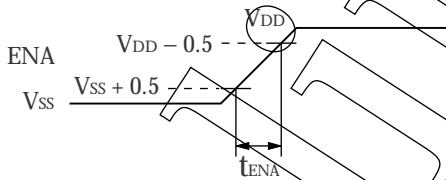
1. Max value is as same as Absolute Maximum Ratings.

DC Characteristics

$V_{DD} = 3.0\text{ V}$, $T_a = 25\text{ }^\circ\text{C}$ unless otherwise noted.

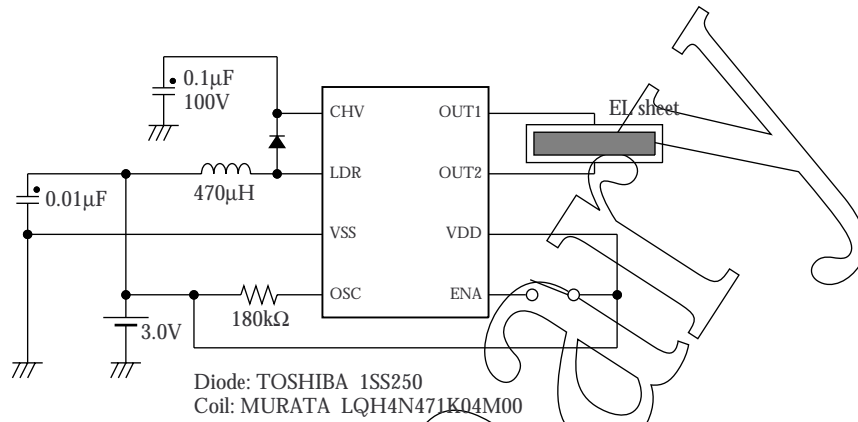
Parameter	Symbol	Condition	Rating			Unit
			min	typ	max	
Supply voltage	V_{DD}		1.6	3.0	5.5	V
CHV output voltage	V_{CHV}		0.5	-	100	V
OUT1, OUT2 HIGH-level output voltage	V_{OUTH}		-	-	100	V
OUT1, OUT2 LOW-level output voltage	V_{OUTL}		-	-	0.5	V
LDR output resistance	R_{LDR}	$I_{LDR} = 50\text{ mA}$	-	3.5	5.25	Ω
OSC oscillator frequency	f_{OSC1}	$R_{OSC} = 180\text{ k}\Omega$	205	256	307	kHz
OSC oscillator frequency range	f_{OSC2}		32	-	1536	
OUT1, OUT2 output frequency	f_{OUT1}	$R_{OSC} = 180\text{ k}\Omega$	200	250	300	Hz
OUT1, OUT2 output frequency range	f_{OUT2}		31	-	1500	
LDR inductance driver frequency	f_{LDR1}	$R_{OSC} = 180\text{ k}\Omega$	51	64	77	kHz
LDR inductance driver frequency range	f_{LDR2}		8	-	384	
ENA HIGH-level input voltage	V_{ENAH}	ENA = HIGH, $V_{DD} = 1.6\text{ to }5.5\text{ V}$	$V_{DD} - 0.5$	-	$V_{DD} + 0.3$	V
ENA LOW-level input voltage	V_{ENAL}	ENA = LOW, $V_{DD} = 1.6\text{ to }5.5\text{ V}$	$V_{SS} - 0.3$	-	$V_{SS} + 0.5$	
ENA input current	I_{ENAH}	$V_{ENAH} = V_{DD} = 3.0\text{ V}$	2.0	4.0	6.0	μA
ENA rise time ¹	t_{ENA}		-	-	100	μs
Operating current	I_{DD1}	Excluding coil current	-	-	1.0	mA
Stand-by current	I_{STB}	ENA = LOW	-	-	1.0	μA

1.

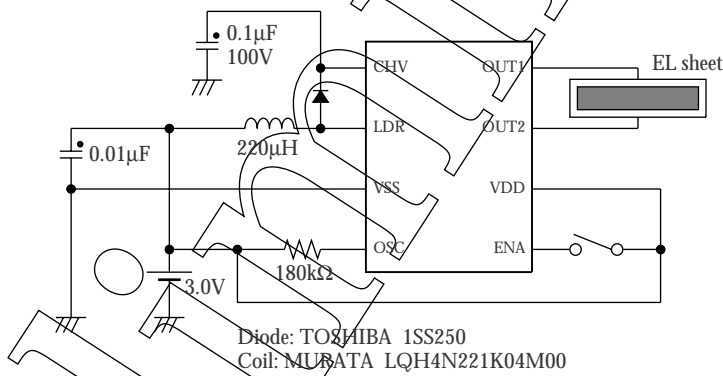


TYPICAL APPLICATIONS

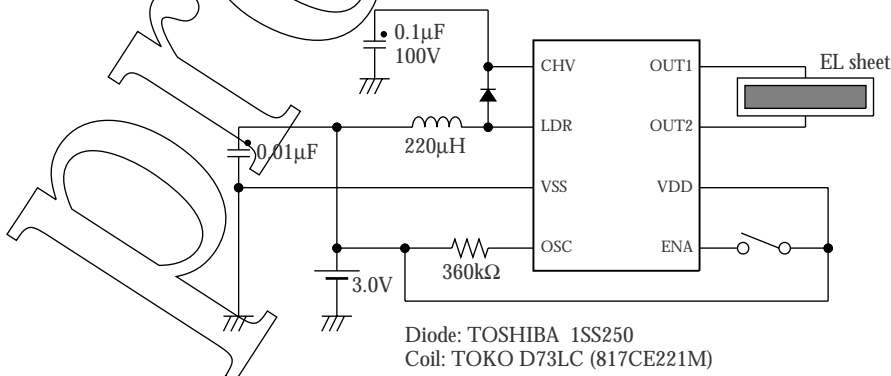
- EL sheet size: 20 to 30cm², Current consumption: 20mA



- EL sheet size: 30 to 50cm², Current consumption: 40mA



- EL sheet size: 50 to 100cm², Current consumption: 80mA



Note: Do not operate the SM8144B with the EL sheet NOT connected (no load to OUT1/OUT2) since the IC will be damaged.

Preliminary

NIPPON PRECISION CIRCUITS INC. reserves the right to make changes to the products described in this data sheet in order to improve the design or performance and to supply the best possible products. Nippon Precision Circuits Inc. assumes no responsibility for the use of any circuits shown in this data sheet, conveys no license under any patent or other rights, and makes no claim that the circuits are free from patent infringement. Applications for any devices shown in this data sheet are for illustration only and Nippon Precision Circuits Inc. makes no claim or warranty that such applications will be suitable for the use specified without further testing or modification. The products described in this data sheet are not intended to use for the apparatus which influence human lives due to the failure or malfunction of the products. Customers are requested to comply with applicable laws and regulations in effect now and hereinafter, including compliance with export controls on the distribution or dissemination of the products. Customers shall not export, directly or indirectly, any products without first obtaining required licenses and approvals from appropriate government agencies.

NPC
NIPPON PRECISION CIRCUITS INC.

NIPPON PRECISION CIRCUITS INC.

4-3, Fukuzumi 2-chome
Koto-ku, Tokyo 135-8430, Japan
Telephone: 03-3642-6661
Facsimile: 03-3642-6698

NP0006AE 2000.05