

Two-Phase DC/DC Controller for CPU Core Power Supply

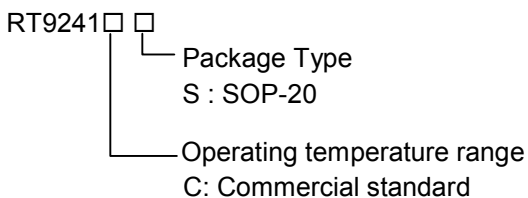
General Description

The RT9241 is a two-phase buck DC/DC controller integrated with all control functions for high performance processor VRM. The RT9241 drives 2 buck switching stages operating in 180 degree phase shift. The two-phase architecture provides high output current while maintaining low power dissipation on power devices and low stress on input and output capacitors. The high equivalent operating frequency also reduces the component dimension and the output voltage ripple in load transient.

RT9241 regulates both easily set voltage and current loops. Precise current sharing for power stage is achieved by differential input current sense and processing circuit. The settings of current sense, droop tuning and over current protection are independent to compensation circuit of voltage loop. The feature greatly facilitates the flexibility of CPU power supply design and tuning.

The RT9241 uses a 5-bit DAC of 1.1V to 1.85V (25mV/step) output with load current droop compensation to meet the strict VRM transient requirement. The IC monitors the V_{CORE} voltage for PGOOD and over voltage protection. Soft start, over current protection and programmable under voltage lockout are also provided to assure the safety of microprocessor and power system.

Ordering Information



Features

- Two-Phase Power Conversion
- VRM 9.0 DAC Output with Active Droop Compensation for Fast Load Transient
- Precise Channel Current Sharing with Differential Sense Input
- Hiccup Mode Over Current Protection
- Programmable Under Voltage Lockout and Soft Start
- High Ripple Frequency, (Channel Frequency 200KHz) Times Channel Number

Applications

- Power Supply for Server and Workstation
- Power Supply for High Current Microprocessor

Pin Configurations

Part Number	Pin Configurations
RT9241CS (Plastic SOP-20)	<p style="text-align: center;">TOP VIEW</p> <p> VID4 1 20 VDD VID3 2 19 PGOOD VID2 3 18 ISP1 VID1 4 17 PWM1 VID0 5 16 PWM2 COMP 6 15 ISP2 FB 7 14 VSEN ADJ 8 13 GND DVD 9 12 ISN1 SS 10 11 ISN2 </p>

Absolute Maximum Ratings

- Supply Voltage 6V
- Input, Output or I/O Voltage GND-0.3V ~ VDD+0.3V
- Ambient Temperature Range 0°C ~ 70°C
- Operating Junction Temperature Range 0°C ~ 125°C
- Storage Temperature Range -65°C ~ 150°C
- Power Dissipation, P_D @ T_A = 25°C
 - SOP-20 0.625W
- Package Thermal Resistance
 - SOP-20, θ_{JA} 60°C/W
- Lead Temperature (Soldering, 10 sec.) 260°C

Electrical Characteristics

(V_{DD} = 5V, GND = 0V, T_A = 25°C, unless otherwise specified)

Parameter	Symbol	Test Conditions	Min	Typ	Max	Units
V_{DD} Supply Current						
Nominal Supply Current	I _{DD}	PWM 1,2 Open	--	6	--	mA
Power-On Reset						
V _{DD} Rising Threshold			4.2	4.35	4.5	V
V _{DD} Falling Threshold			3.7	3.85	4	V
VDVD Rising Trip Threshold			1.19	1.25	1.31	V
Oscillator						
Frequency		For each phase	170	200	230	kHz
Ramp Amplitude			--	1	--	V
Ramp Valley			1.0	1.3	--	V
Maximum On Time of Each Channel			--	75	--	%
Reference and DAC						
DACOUT Voltage Accuracy			-1.0	--	+1.0	%
DAC (VID0-VID4) Input Low Voltage			--	--	0.8	V
DAC (VID0-VID4) Input High Voltage			2.0	--	--	V
DAC (VID0-VID4) Bias Current			10	20	40	μA
PWM Controller Error Amplifier						
DC Gain			--	85	--	dB
Bandwidth			--	10	--	MHz
Slew Rate		C _L = 10pF	--	5	--	V/μS
Current Sense GM Amplifier						
ISP 1,2 Full Scale Source Current			--	50	--	μA
ISP 1,2 Current for OCP			--	75	--	μA

To be continued

Parameter	Symbol	Test Conditions	Min	Typ	Max	Units
Protection						
SS Current		$V_{SS} = 1V$	--	10	--	μA
Over-Voltage Trip (VSEN/DACOUT)			116	120	124	%
Power Good						
Upper Threshold (VSEN/DACOUT)		VSEN Rising	--	108	--	%
Lower Threshold (VSEN/DACOUT)		VSEN Rising	--	92	--	%

Function Block Diagram

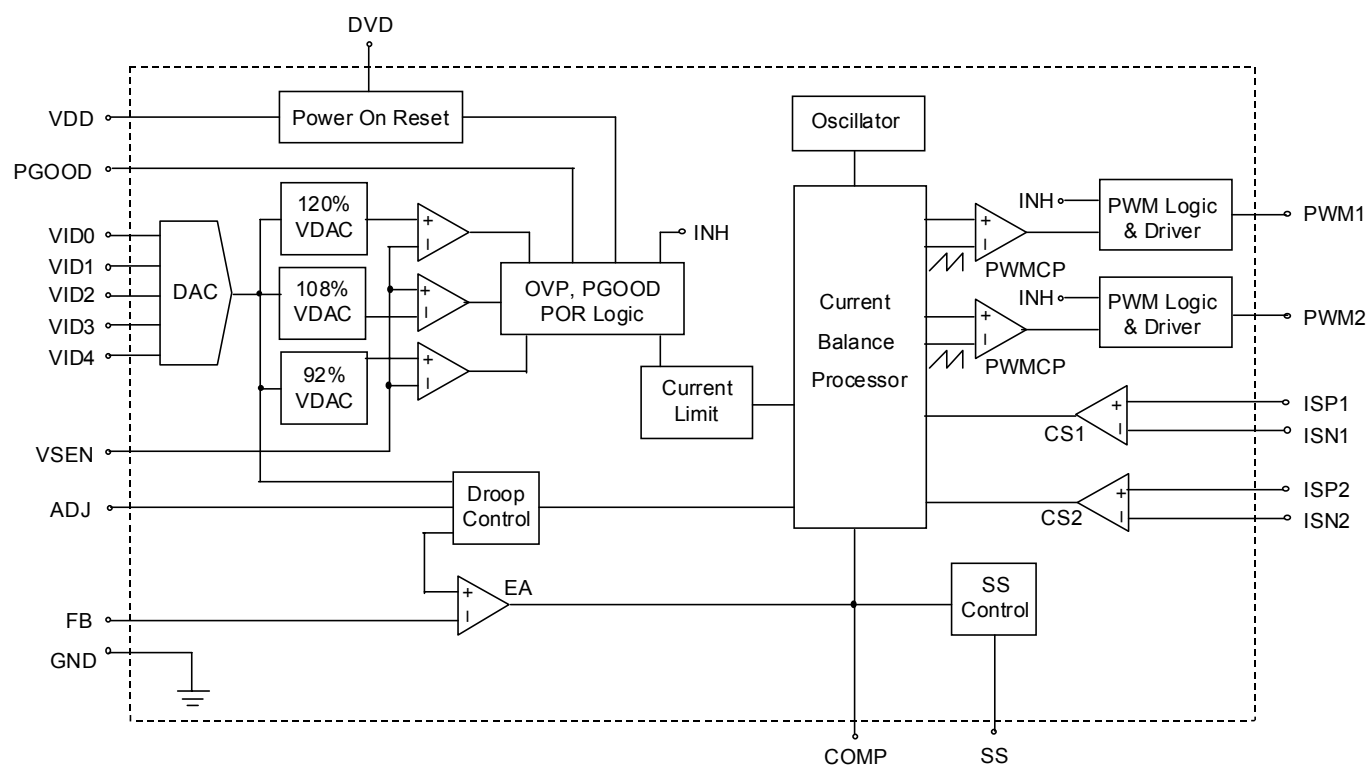
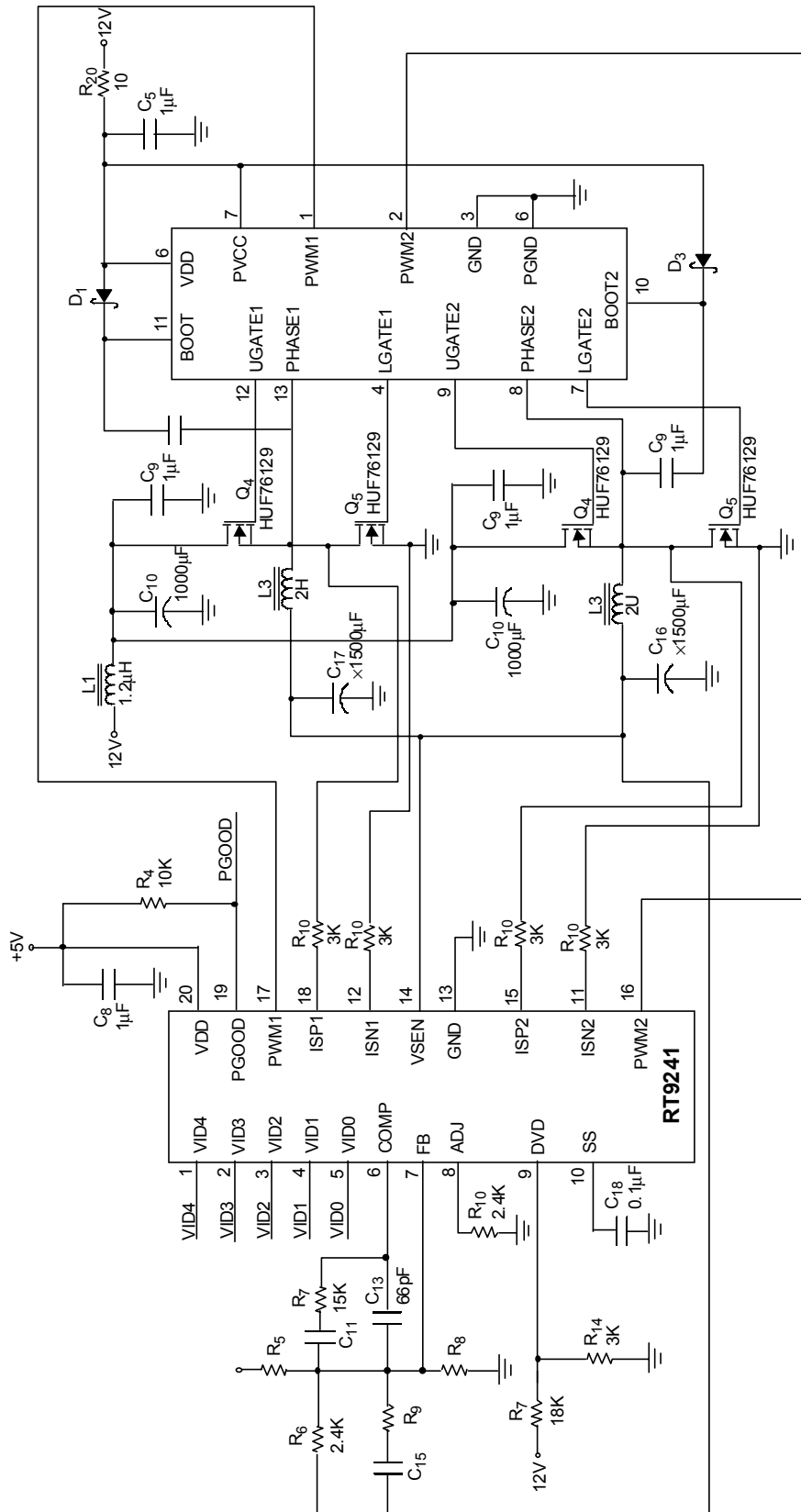


Table 1 Output Voltage Program

Pin Name					Nominal Output Voltage DACOUT
VID4	VID3	VID2	VID1	VID0	
1	1	1	1	1	Off
1	1	1	1	0	1.100V
1	1	1	0	1	1.125V
1	1	1	0	0	1.150V
1	1	0	1	1	1.175V
1	1	0	1	0	1.200V
1	1	0	0	1	1.225V
1	1	0	0	0	1.250V
1	0	1	1	1	1.275V
1	0	1	1	0	1.300V
1	0	1	0	1	1.325V
1	0	1	0	0	1.350V
1	0	0	1	1	1.375V
1	0	0	1	0	1.400V
1	0	0	0	1	1.425V
1	0	0	0	0	1.450V
0	1	1	1	1	1.475V
0	1	1	1	0	1.500V
0	1	1	0	1	1.525V
0	1	1	0	0	1.550V
0	1	0	1	1	1.575V
0	1	0	1	0	1.600V
0	1	0	0	1	1.625V
0	1	0	0	0	1.650V
0	0	1	1	1	1.675V
0	0	1	1	0	1.700V
0	0	1	0	1	1.725V
0	0	1	0	0	1.750V
0	0	0	1	1	1.775V
0	0	0	1	0	1.800V
0	0	0	0	1	1.825V
0	0	0	0	0	1.850V

Note: (1) 0:Connected to GND (2) 1:Open



Functional Pin Description

VID4, VID3, VID2, VID1 and VID0 (Pin1,2,3,4,5)

DAC voltage identification inputs for VRM9.0. These pins are TTL-compatible and internally pulled to VDD if left open.

COMP (Pin 6)

Output of the error amplifier and input of the PWM comparator.

FB (Pin 7)

Inverting input of the internal error amplifier.

ADJ (Pin 8)

Current sense output for active droop adjust. Connect a resistor from this pin to GND to set the amount of load droop.

DVD (Pin 9)

Programmable power UVLO detection input. Trip threshold = 1.25V at V(DVD) rising

SS (Pin 10)

Connect this SS pin to GND with a capacitor to set the start time interval. Pull this pin below 1V(ramp valley of saw-tooth wave in pulse width modulator) to shutdown the converter output.

ISEN1 (Pin 12), ISEN2 (Pin 11)

Current sense inputs from the individual converter channel's sense component GND nodes.

GND (Pin 13)

Ground for the IC.

VSEN (Pin 14)

Power good and over voltage monitor input. Connect to the microprocessor-CORE voltage.

ISP1 (Pin 18), ISEN2 (Pin 15)

Current sense inputs for individual converter channels. Tie this pin to the component sense node.

PWM1 (Pin 17), PWM2 (Pin 16)

PWM outputs for each driven channel. Connect these pins to the PWM input of the MOSFET driver.

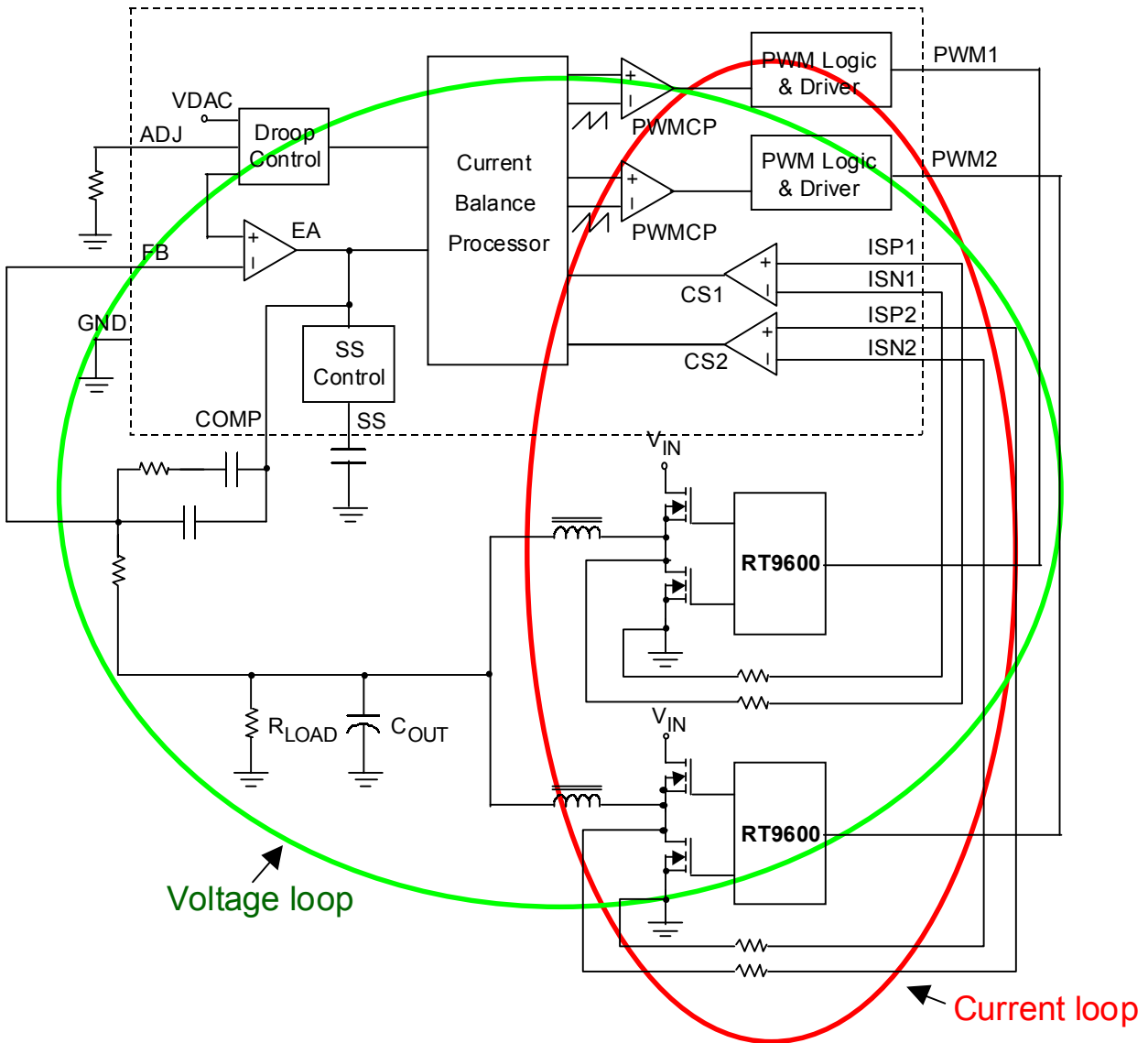
PGOOD (Pin 19)

Power good open-drain output.

VDD (Pin 20)

IC power supply. Connect this pin to a 5V supply.

Simplified Block Diagram Control Loops for a Two Phase Converter



The sensing circuit gets $I_X = \frac{I_L \times R_S}{R_{SP}}$ by local feedback. $R_{SP} = R_{SN}$ to cancel the voltage drop caused by GM amplifier input bias current. I_X is sampled and held just before low side MOSFET turns off (See Fig.2).

Therefore,

$$I_{X(S/H)} = \frac{I_{L(S/H)} \times R_S}{R_{SP}}, \quad I_{L(S/H)} = I_{L(AVG)} - \frac{V_O}{L} \times \frac{T_{OFF}}{2}$$

$$T_{OFF} = \left(\frac{V_{IN} - V_O}{V_{IN}} \right) \times 5\mu S, \quad \text{for operating frequency} = 200kHz$$

$$I_{X(S/H)} = \left[I_{L(AVG)} - \frac{V_O - \left(\frac{V_{IN} - V_O}{V_{IN}} \right) \times 5\mu S}{2L} \right] \times \frac{R_S}{R_{SP}}$$

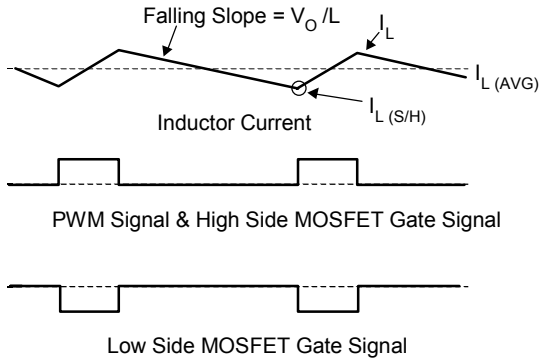


Fig. 2 Inductor Current and PWM Signal

Droop Tuning

The S/H current signals from power channels are injected to ADJ pin to create droop voltage.

$$V_{ADJ} = R_{ADJ} \times \frac{2}{3} \sum I_X$$

The DAC output voltage decreases by V_{ADJ} to form the V_{CORE} load droop(see Fig.3).

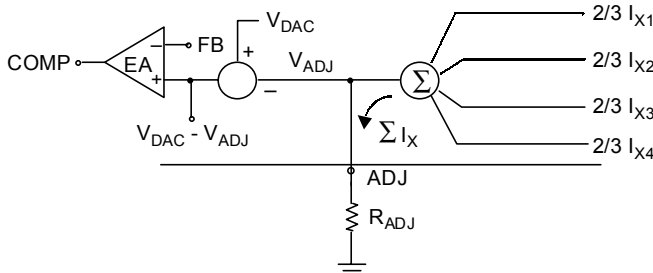


Fig. 3 Droop Tune Circuit

Protection and SS function

For OVP, the RT9241 detects the V_{CORE} by V_{SEN} pin. Eliminate the parasitic delay and noise influence on the PCB path for fast and accurate detection. The trip point of OVP is 120% of normal output level. The PWM outputs are pulled low to turn on the low side MOSFET and turn off the high side MOSFET of the synchronous rectifier at OVP. The OVP latch can only be reset by VDD or DVD restart power on reset sequence. The PGOOD detection trip point of V_{CORE} is $\pm 8\%$ out of the normal level. The PGOOD open drain output pulls low when V_{OCRE} exceeds the range.

Soft start circuit generates a ramp voltage by charging external capacitor with 10uA current after IC POR acts. The PWM pulse width and V_{CORE} are clamped by the rising ramp to reduce the in-rush current and protect the power devices.

Over current protection trip point is set by the resistor R_{IMAX} connected to IMAX pin. OCP is triggered if one channel S/H current signal $I_X > \frac{3}{2} \times \frac{0.6}{R_{IMAX}}$. Controller forces PWM output latched at high impedance to turn off both high and low side MOSFET in the power stage and initial the hiccup mode protection. The SS pin voltage is pulled low with a 10μA current after it is less than 90% VDD. The converter restarts after SS pin voltage $< 0.2V$. Three times of OCP disable the converter and only release the latch by POR acts (see Fig.4).

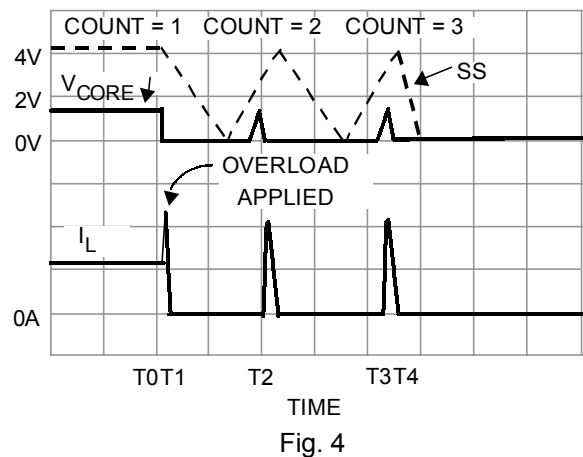
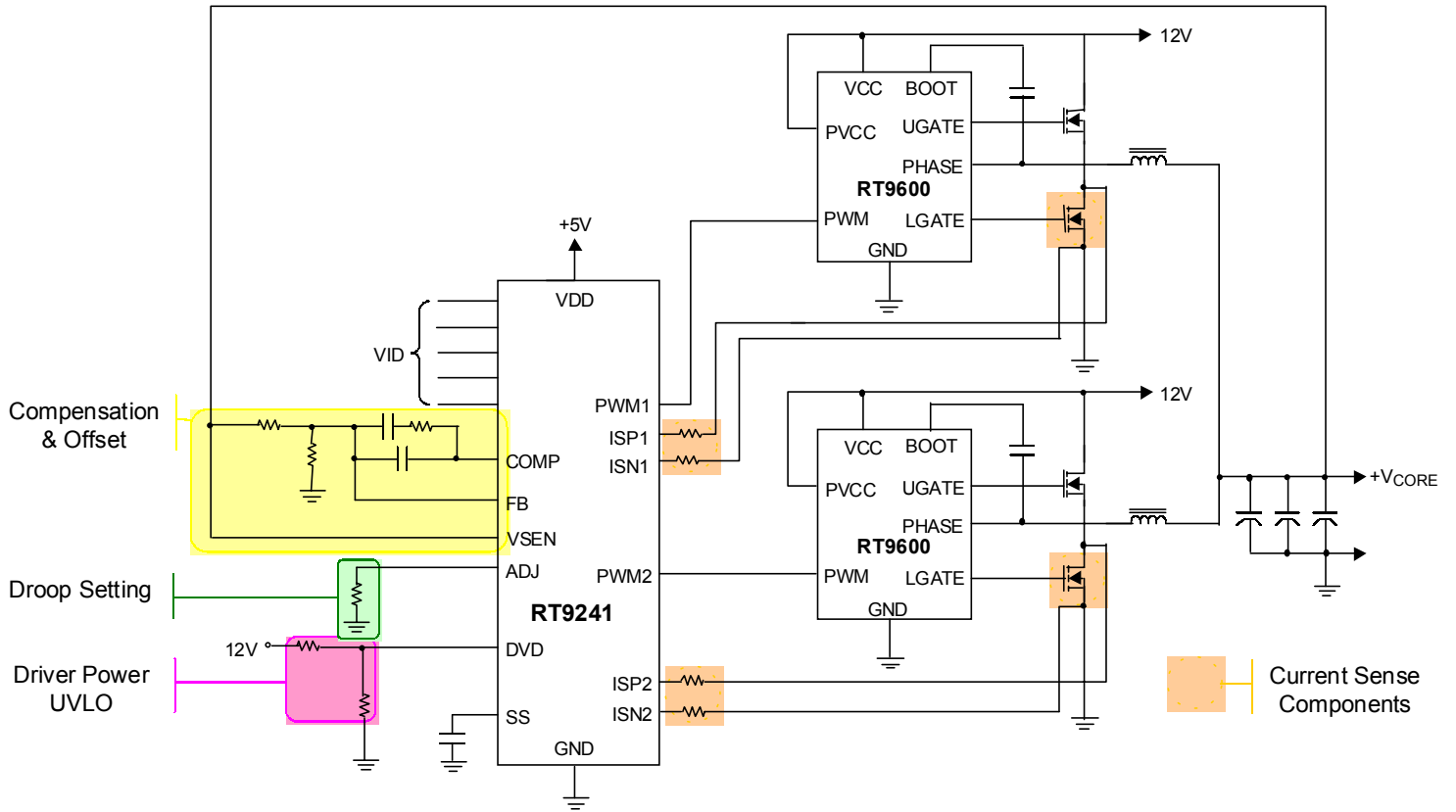
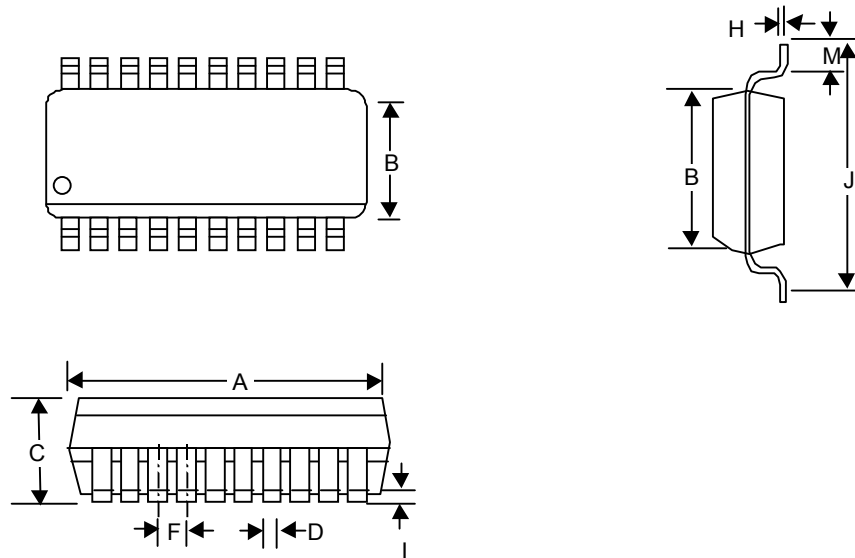


Fig. 4

Two-Phase Converter and Components Function Grouping



Package Information



Symbol	Dimensions In Millimeters		Dimensions In Inches	
	Min	Max	Min	Max
A	12.598	13.005	0.496	0.512
B	7.391	7.595	0.291	0.299
C	2.362	2.642	0.093	0.104
D	0.330	0.508	0.013	0.020
F	1.194	1.346	0.047	0.053
H	0.229	0.330	0.009	0.013
I	0.102	0.305	0.004	0.012
J	10.008	10.643	0.394	0.419
M	0.381	1.270	0.015	0.050

20-Lead SOP Plastic Package

RICHTEK TECHNOLOGY CORP.

Headquarter

6F, No. 35, Hsintai Road, Chupei City

Hsinchu, Taiwan, R.O.C.

Tel: (8863)5510047 Fax: (8863)5537749

RICHTEK TECHNOLOGY CORP.

Taipei Office (Marketing)

8F-1, No. 137, Lane 235, Paochiao Road, Hsintien City

Taipei County, Taiwan, R.O.C.

Tel: (8862)89191466 Fax: (8862)89191465

Email: marketing@richtek-ic.com.tw