

LM98714

Three Channel, 16-Bit, 45 MSPS Digital Copier Analog Front End with Integrated CCD/CIS Sensor Timing Generator and LVDS Output

General Description

The LM98714 is a fully integrated, high performance 16-Bit, 45 MSPS signal processing solution for digital color copiers, scanners, and other image processing applications. High-speed signal throughput is achieved with an innovative architecture utilizing Correlated Double Sampling (CDS), typically employed with CCD arrays, or Sample and Hold (S/H) inputs (for Contact Image Sensors and CMOS image sensors). The signal paths utilize 8 bit Programmable Gain Amplifiers (PGA), a +/-9-Bit offset correction DAC and independently controlled Digital Black Level correction loops for each input. The PGA and offset DAC are programmed independently allowing unique values of gain and offset for each of the three inputs. The signals are then routed to a 45MHz high performance analog-to-digital converter (ADC). The fully differential processing channel shows exceptional noise immunity, having a very low noise floor of -74dB. The 16-bit ADC has excellent dynamic performance making the LM98714 transparent in the image reproduction chain.

Applications

- Multi-Function Peripherals
- Facsimile Equipment
- Flatbed or Handheld Color Scanners
- High-speed Document Scanner

Features

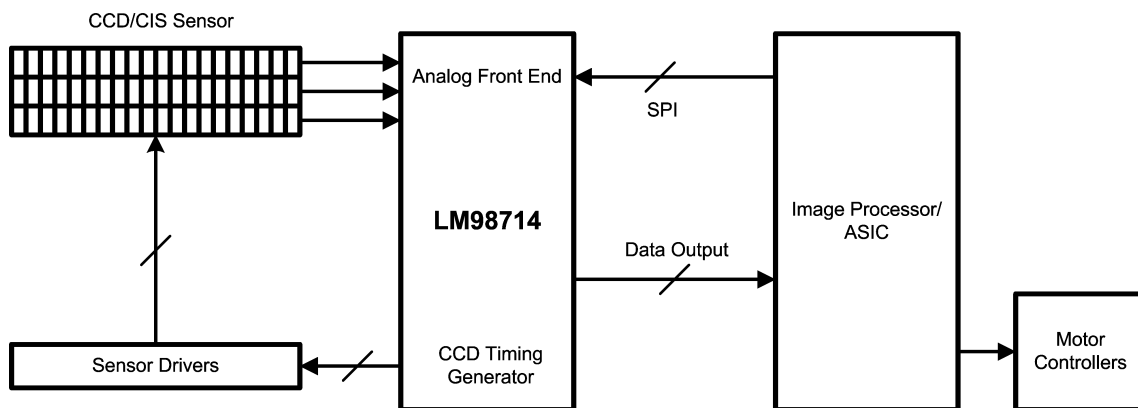
- LVDS/CMOS Outputs
- LVDS/CMOS Pixel Rate Input Clock or ADC Input Clock
- CDS or S/H Processing for CCD or CIS sensors

- Independent Gain/Offset Correction for Each Channel
- Digital Black Level Correction Loop for Each Channel
- Programmable Input Clamp Voltage
- Flexible CCD/CIS Sensor Timing Generator

Key Specifications

■ Maximum Input Level	1.2 or 2.4 Volt Modes (both with + or - polarity option)
■ ADC Resolution	16-Bit
■ ADC Sampling Rate	45 MSPS
■ INL	+/- 23 LSB (typ)
■ Channel Sampling Rate	15/22.5/30 MSPS
■ PGA Gain Steps	256 Steps
■ PGA Gain Range	0.7 to 7.84x
■ Analog DAC Resolution	+/-9 Bits
■ Analog DAC Range	+/-300mV or +/-600mV
■ Digital DAC Resolution	+/-6 Bits
■ Digital DAC Range	-1024 LSB to + 1008 LSB
■ SNR	-74dB (@0dB PGA Gain)
■ Power Dissipation	505mW (LVDS) 610mW (CMOS)
■ Operating Temp	0 to 70°C
■ Supply Voltage	3.3V Nominal (3.0V to 3.6V range)

System Block Diagram



20105370

LM98714 - Three Channel, 16-Bit, 45 MSPS Digital Copier Analog Front End with Integrated CCD/CIS Sensor Timing Generator and LVDS Output

LM98714 Overall Chip Block Diagram

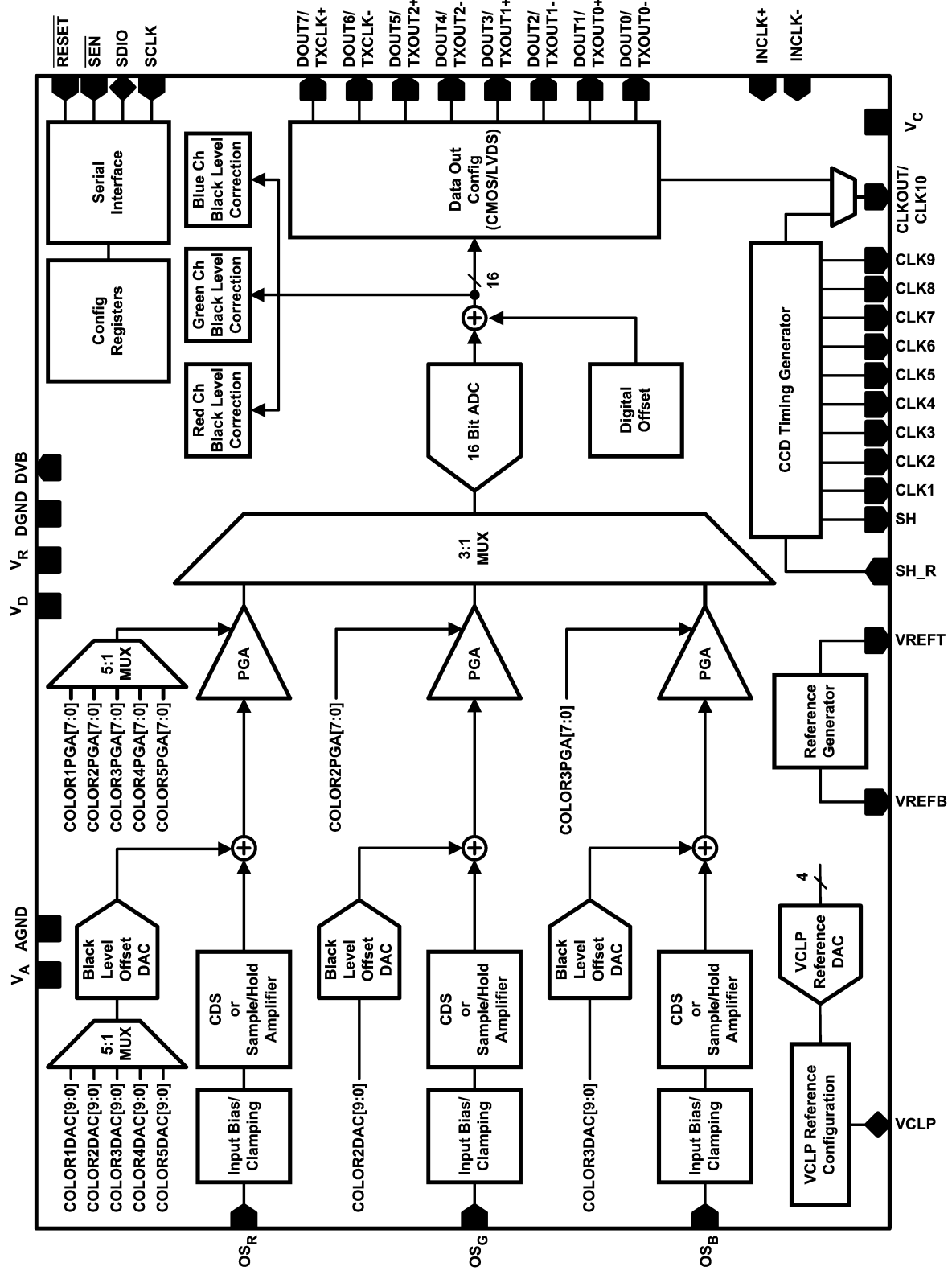
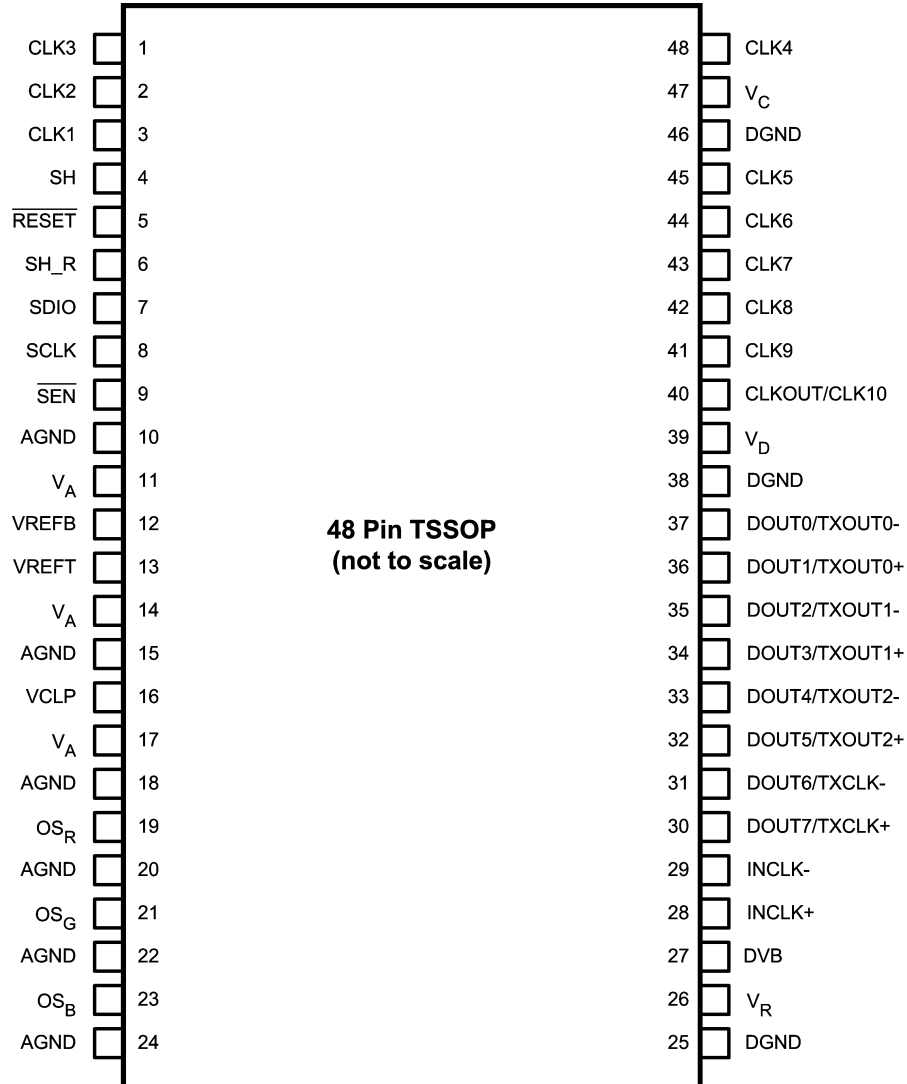


FIGURE 1. Chip Block Diagram

20105301

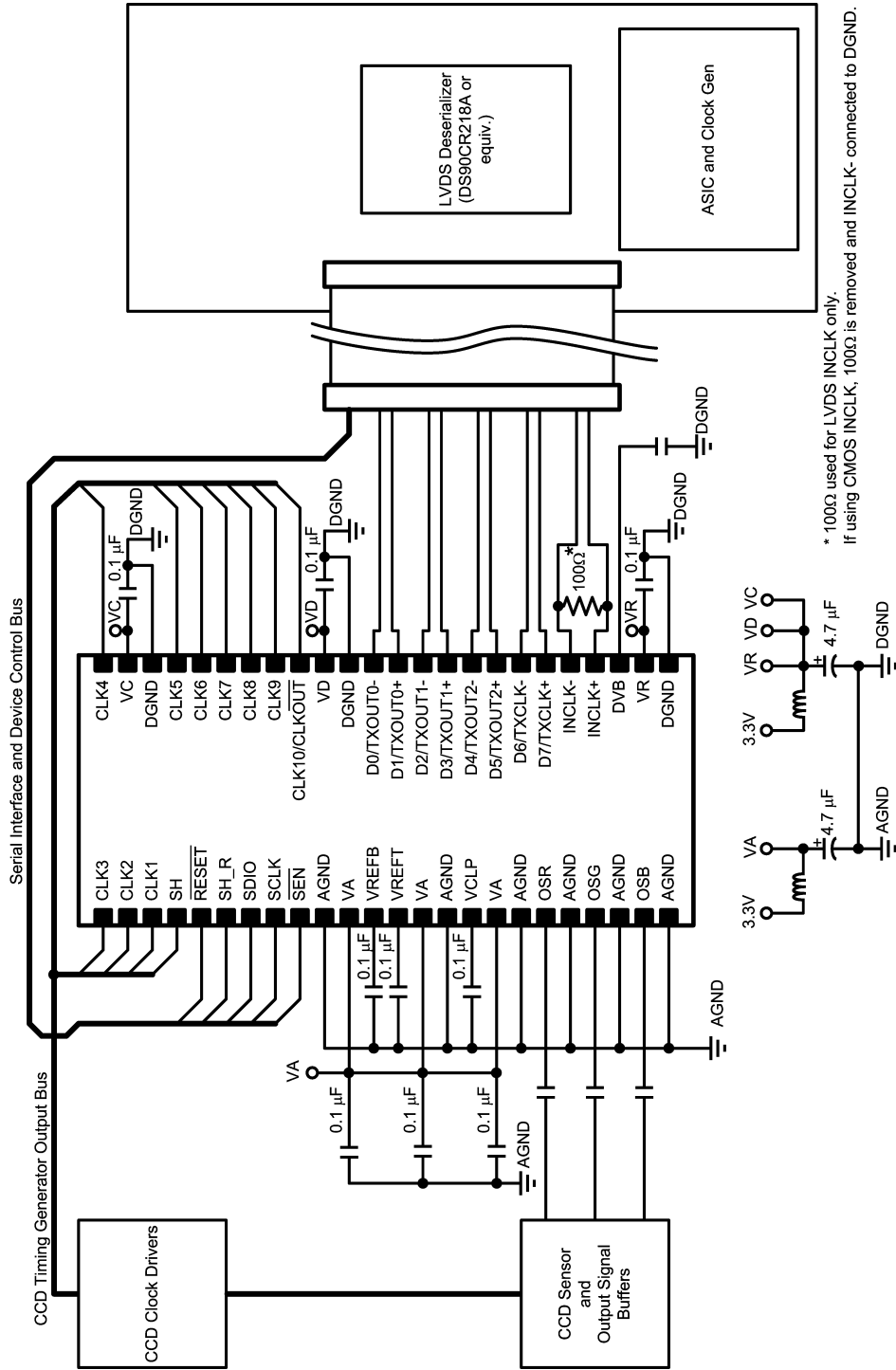
LM98714 Pin Out Diagram



20105302

FIGURE 2. LM98714 Pin Out Diagram

Typical Application Diagram



20105373

FIGURE 3. Typical Application Diagram

Pin Descriptions

Pin	Name	I/O	Typ	Res	Description
1	CLK3	O	D	PU	Configurable sensor control output.
2	CLK2	O	D	PD	Configurable sensor control output.
3	CLK1	O	D	PU	Configurable sensor control output.
4	SH	O	D	PD	Sensor - Shift or transfer control signal for CCD and CIS sensors.
5	$\overline{\text{RESET}}$	I	D	PU	Active-low master reset. NC when function not being used.
6	SH_R	I	D	PD	External request for an SH pulse.
7	SDIO	I/O	D		Serial Interface Data Input
8	SCLK	I	D	PD	Serial Interface shift register clock.
9	$\overline{\text{SEN}}$	I	D	PU	Active-low chip enable for the Serial Interface.
10	AGND		P		Analog ground return.
11	V _A		P		Analog power supply. Bypass voltage source with 4.7 μ F and pin with 0.1 μ F to AGND.
12	VREFB	O	A		Bottom of ADC reference. Bypass with a 0.1 μ F capacitor to ground.
13	VREFT	O	A		Top of ADC reference. Bypass with a 0.1 μ F capacitor to ground.
14	V _A		P		Analog power supply. Bypass voltage source with 4.7 μ F and pin with 0.1 μ F to AGND.
15	AGND		P		Analog ground return.
16	VCLP	IO	A		Input Clamp Voltage. Normally bypassed with a 0.1 μ F, and a 4.7 μ F capacitor to AGND. An external reference voltage may be applied to this pin.
17	V _A		P		Analog power supply. Bypass voltage source with 4.7 μ F and pin with 0.1 μ F to AGND.
18	AGND		P		Analog ground return.
19	OS _R	I	A		Analog input signal. Typically sensor Red output AC-coupled thru a capacitor.
20	AGND		P		Analog ground return.
21	OS _G	I	A		Analog input signal. Typically sensor Green output AC-coupled thru a capacitor.
22	AGND		P		Analog ground return.
23	OS _B	I	A		Analog input signal. Typically sensor Blue output AC-coupled thru a capacitor.
24	AGND		P		Analog ground return.
25	DGND		P		Digital ground return.
26	V _R		P		Power supply input for internal voltage reference generator. Bypass this supply pin with a 0.1 μ F capacitor.
27	DVB	O	P		Digital Core Voltage bypass. Not an input. Bypass with 0.1 μ F capacitor to DGND.
28	INCLK+	I	D		Clock Input. Non-Inverting input for LVDS clocks or CMOS clock input. CMOS clock is selected when pin 29 is held at DGND, otherwise clock is configured for LVDS operation.
29	INCLK-	I	D		Clock Input. Inverting input for LVDS clocks, connect to DGND for CMOS clock.
30	DOUT7/ TXCLK+	O	D		Bit 7 of the digital video output bus in CMOS Mode, LVDS Frame Clock+ in LVDS Mode.
31	DOUT6/ TXCLK-	O	D		Bit 6 of the digital video output bus in CMOS Mode, LVDS Frame Clock- in LVDS Mode.
32	DOUT5/ TXOUT2+	O	D		Bit 5 of the digital video output bus in CMOS Mode, LVDS Data Out2+ in LVDS Mode.
33	DOUT4/ TXOUT2-	O	D		Bit 4 of the digital video output bus in CMOS Mode, LVDS Data Out2- in LVDS Mode.
34	DOUT3/ TXOUT1+	O	D		Bit 3 of the digital video output bus in CMOS Mode, LVDS Data Out1+ in LVDS Mode.
35	DOUT2/ TXOUT1-	O	D		Bit 2 of the digital video output bus in CMOS Mode, LVDS Data Out1- in LVDS Mode.

Pin Descriptions (Continued)

Pin	Name	I/O	Typ	Res	Description
36	DOUT1/ TXOUT0+	O	D		Bit 1 of the digital video output bus in CMOS Mode, LVDS Data Out0+ in LVDS Mode.
37	DOUT0/ TXOUT0-	O	D		Bit 0 of the digital video output bus in CMOS Mode, LVDS Data Out0- in LVDS Mode.
38	DGND		P		Digital ground return.
39	V _D		P		Power supply for the digital circuits. Bypass this supply pin with 0.1 μ F capacitor. A single 4.7 μ F capacitor should be used between the supply and the VD, VR and VC pins.
40	CLKOUT/ CLK10	O	D	PD	Output clock for registering output data when using CMOS outputs, or configurable sensor control output.
41	CLK9	O	D	PD	Configurable sensor control output.
42	CLK8	O	D	PD	Configurable sensor control output.
43	CLK7	O	D	PD	Configurable sensor control output.
44	CLK6	O	D	PU	Configurable sensor control output.
45	CLK5	O	D	PD	Configurable sensor control output.
46	DGND		P		Digital ground return.
47	V _C		P		Power supply for the sensor control outputs. Bypass this supply pin with 0.1 μ F capacitor.
48	CLK4	O	D	PD	Configurable sensor control output.

(I=Input), (O=Output), (IO=Bi-directional), (P=Power), (D=Digital), (A=Analog), (PU=Pull Up with an internal resistor), (PD=Pull Down with an internal resistor).

Absolute Maximum Ratings (Notes 2,

1)

If Military/Aerospace specified devices are required, please contact the National Semiconductor Sales Office/Distributors for availability and specifications.

Supply Voltage (VA,VR,VD,VC)	4.2V
Voltage on Any Input Pin (Not to exceed 4.2V)	-0.3V to (VA + 0.3V)
Voltage on Any Output Pin (except DVB and not to exceed 4.2V)	-0.3V to (VA + 0.3V)
DVB Output Pin Voltage	2.0V
Input Current at any pin other than Supply Pins (Note 3)	±25 mA
Package Input Current (except Supply Pins) (Note 3)	±50 mA
Maximum Junction Temperature (TA)	150°C

Thermal Resistance (θ_{JA})	66°C/W
Package Dissipation at $T_A = 25^\circ\text{C}$ (Note 4)	1.89W
ESD Rating (Note 5)	
Human Body Model	2500V
Machine Model	250V
Storage Temperature	-65°C to +150°C
<i>Soldering process must comply with National Semiconductor's Reflow Temperature Profile specifications. Refer to www.national.com/packaging.</i>	
(Note 6)	

Operating Ratings (Notes 1, 2)

Operating Temperature Range	0°C ≤ T_A ≤ +70°C
All Supply Voltage	+3.0V to +3.6V

Electrical Characteristics

The following specifications apply for VA = VD = VR = VC = 3.3V, CL = 10pF, and fINCLK = 15MHz unless otherwise specified. **Boldface limits apply for TA = TMIN to TMAX;** all other limits TA = 25°C.

Symbol	Parameter	Conditions	Min	Typ (Note 8)	Max	Units
CMOS Digital Input DC Specifications (RESETb, SH_R, SCLK, SENb)						
V _{IH}	Logical "1" Input Voltage		2.0			V
V _{IL}	Logical "0" Input Voltage				0.8	V
I _{IH}	Logical "1" Input Current	V _{IH} = VD RESET SH_R, SCLK SEN		235 70 130		nA μA nA
I _{IL}	Logical "0" Input Current	V _{IL} = DGND RESET SH_R, SCLK SEN		70 235 70		μA nA μA
CMOS Digital Output DC Specifications (SH, CLK1 to CLK10, CMOS Data Outputs)						
V _{OH}	Logical "1" Output Voltage	I _{OUT} = -0.5mA	2.95			V
V _{OL}	Logical "0" Output Voltage	I _{OUT} = 1.6mA			0.25	V
I _{OS}	Output Short Circuit Current	V _{OUT} = DGND V _{OUT} = VD		16 -20		mA
I _{OZ}	CMOS Output TRI-STATE Current	V _{OUT} = DGND V _{OUT} = VD		20 -25		nA
CMOS Digital Input/Output DC Specifications (SDIO)						
I _{IH}	Logical "1" Input Current	V _{IH} = VD		90		nA
I _{IL}	Logical "0" Input Current	V _{IL} = DGND		90		nA
LVDS/CMOS Clock Receiver DC Specifications (INCLK+ and INCLK- Pins)						
V _{IHL}	Differential LVDS Clock High Threshold Voltage	R _L = 100W V _{CM} (LVDS Input Common Mode Voltage) = 1.25V			100	mV
V _{ILL}	Differential LVDS Clock Low Threshold Voltage		-100			mV

Electrical Characteristics (Continued)

The following specifications apply for $V_A = V_D = V_R = V_C = 3.3V$, $C_L = 10pF$, and $f_{INCLK} = 15MHz$ unless otherwise specified. **Boldface limits apply for $T_A = T_{MIN}$ to T_{MAX}** ; all other limits $T_A = 25^\circ C$.

Symbol	Parameter	Conditions	Min	Typ (Note 8)	Max	Units
V_{IHC}	CMOS Clock High Threshold Voltage	INCLK- = DGND	2.0			V
V_{ILC}	CMOS Clock Low Threshold Voltage				0.8	V
I_{IHL}	CMOS Clock Input High Current				280	μA
I_{ILC}	CMOS Clock Input Low Current				-150	μA
LVDS Output DC Specifications						
V_{OD}	Differential Output Voltage	$R_L = 100\Omega$	180	328	450	mV
V_{OS}	LVDS Output Offset Voltage		1.17	1.23	1.3	V
I_{OS}	Output Short Circuit Current	$V_{OUT} = 0V, R_L = 100\Omega$		7.9		mA
Power Supply Specifications						
IA	VA Analog Supply Current	VA Normal State	60	97	125	mA
		VA Low Power State (Powerdown)	12	23	32	mA
IR	VR Digital Supply Current	VR Normal State (LVDS Outputs)	30	64	75	mA
		CMOS Output Data Format	15	47	55	mA
		LVDS Output Data Format with Data Outputs Disabled		47		mA
ID	VD Digital Output Driver Supply Current	LVDS Output Data Format		0.05		mA
		CMOS Output Data Format (ATE Loading of CMOS Outputs > 50pF)	12		40	mA
IC	VC CCD Timing Generator Output Driver Supply Current	Typical sensor outputs: SH, CLK1= Φ 1A, CLK2= Φ 2A, CLK3= Φ B, CLK4= Φ C, CLK5=RS, CLK6=CP (ATE Loading of CMOS Outputs > 50pF)	0.5		12	mA
PWR	Average Power Dissipation	LVDS Output Data Format	350	505	650	mW
		CMOS Output Data Format (ATE Loading of CMOS Outputs > 50pF)	380	610	700	mW
Input Sampling Circuit Specifications						
V_{IN}	Input Voltage Level	CDS Gain=1x, PGA Gain=1x CDS Gain=2x, PGA Gain=1x		2.3 1.22		Vp-p

Electrical Characteristics (Continued)

The following specifications apply for $V_A = V_D = V_R = V_C = 3.3V$, $C_L = 10pF$, and $f_{INCLK} = 15MHz$ unless otherwise specified. **Boldface limits apply for $T_A = T_{MIN}$ to T_{MAX}** ; all other limits $T_A = 25^\circ C$.

Symbol	Parameter	Conditions	Min	Typ (Note 8)	Max	Units
I_{IN_SH}	Sample and Hold Mode Input Leakage Current	Source Followers Off CDS Gain = 1x $OS_X = VA$ ($OS_X = AGND$)	50 (-70)		70 (-40)	μA
		Source Followers Off CDS Gain = 2x $OS_X = VA$ ($OS_X = AGND$)	75 (-105)		105 (-75)	μA
		Source Followers On CDS Gain = 2x $OS_X = VA$ ($OS_X = AGND$)	-200	-10 -16	200	nA
C_{SH}	Sample/Hold Mode Equivalent Input Capacitance (see Figure 11)	CDS Gain = 1x		2.5		pF
		CDS Gain = 2x		4		pF
I_{IN_CDS}	CDS Mode Input Leakage Current	Source Followers Off $OS_X = VA$ ($OS_X = AGND$)	-300	7 (-25)	300	nA
R_{CLPIN}	CLPIN Switch Resistance (OS_X to VCLP Node in Figure 8)			16	50	Ω
VCLP Reference Circuit Specifications						
	VCLP DAC Resolution			4		Bits
	VCLP DAC Step Size			0.16		V
V_{VCLP}	VCLP DAC Voltage Min Output	VCLP Config. Register = 0001 0000b	0.14	0.26	0.43	V
	VCLP DAC Voltage Max Output	VCLP Config. Register = 0001 1111b	2.38	2.68	2.93	V
	Resistor Ladder Enabled	VCLP Config. Register = 0010 xxxxb	1.54	$V_A / 2$	1.73	V
I_{SC}	VCLP DAC Short Circuit Output Current	VCLP Config. Register = 0001 xxxxb		30		mA
Black Level Offset DAC Specifications						
	Resolution			10		Bits
	Monotonicity		Guaranteed by characterization			
	Offset Adjustment Range Referred to AFE Input	CDS Gain = 1x Minimum DAC Code = 0x000 Maximum DAC Code = 0x3FF		-614 614		mV
		CDS Gain = 2x Minimum DAC Code = 0x000 Maximum DAC Code = 0x3FF		-307 307		mV
	Offset Adjustment Range Referred to AFE Output	Minimum DAC Code = 0x000 Maximum DAC Code = 0x3FF	-16000 16000		-18200 18200	LSB
	DAC LSB Step Size	CDS Gain = 1x Referred to AFE Output		1.2 (32)		mV (LSB)
DNL	Differential Non-Linearity		-0.95		3.25	LSB

Electrical Characteristics (Continued)

The following specifications apply for $V_A = V_D = V_R = V_C = 3.3V$, $C_L = 10pF$, and $f_{INCLK} = 15MHz$ unless otherwise specified. **Boldface limits apply for $T_A = T_{MIN}$ to T_{MAX}** ; all other limits $T_A = 25^\circ C$.

Symbol	Parameter	Conditions	Min	Typ (Note 8)	Max	Units
INL	Integral Non-Linearity		-3.1		2.65	LSB
PGA Specifications						
	Gain Resolution			8		Bits
	Monotonicity		Guaranteed by characterization			
	Maximum Gain	CDS Gain = 1x	7.18	7.9	8.77	V/V
		CDS Gain = 1x	17.1	17.9	18.9	dB
	Minimum Gain	CDS Gain = 1x	0.56	0.7	0.82	V/V
		CDS Gain = 1x	-5	-3	-1.72	dB
	PGA Function	Gain (V/V) = (196/(280-PGA Code)) Gain (dB) = 20LOG10(196/(280-PGA Code))				
	Channel Matching	Minimum PGA Gain		3		%
		Maximum PGA Gain		12.7		
ADC Specifications						
V_{REFT}	Top of Reference			2.07		V
V_{REFB}	Bottom of Reference			0.89		V
$V_{REFT} - V_{REFB}$	Differential Reference Voltage		1.07	1.18	1.29	V
	Overrange Output Code			65535		
	Underrange Output Code			0		
Digital Offset "DAC" Specifications						
	Resolution			7		Bits
	Digital Offset DAC LSB Step Size	Referred to AFE Output		16		LSB
	Offset Adjustment Range Referred to AFE Output	Min DAC Code = 7b0000000		-1024		LSB
		Mid DAC Code = 7b1000000		0		
		Max DAC Code = 7b1111111		1008		
Full Channel Performance Specifications						
DNL	Differential Non-Linearity		-0.99	0.8/-0.6	2.55	LSB
INL	Integral Non-Linearity		-73	+/-23	78	LSB
SNR	Total Output Noise	Minimum PGA Gain		-79		dB
				7.2		LSB RMS
		PGA Gain = 1x		-74		dB
				13	30	LSB RMS
		Maximum PGA Gain		-56		dB
				104		LSB RMS
	Channel to Channel Crosstalk	Mode 3		47		LSB
		Mode 2		16		

Note 1: Absolute Maximum Ratings indicate limits beyond which damage to the device may occur. Operating Ratings indicate conditions for which the device is functional, but do not guarantee specific performance limits. For guaranteed specifications and test conditions, see the Electrical Characteristics. The guaranteed specifications apply only for the test conditions listed. Some performance characteristics may degrade when the device is not operated under the listed test conditions. Operation of the device beyond the Operating Ratings is not recommended.

Note 2: All voltages are measured with respect to AGND = DGND = 0V, unless otherwise specified.

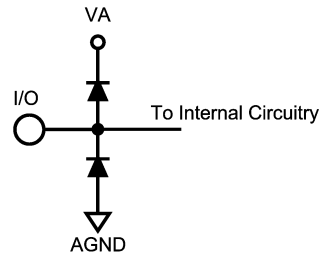
Note 3: When the input voltage (V_{IN}) at any pin exceeds the power supplies ($V_{IN} < GND$ or $V_{IN} > V_A$ or V_D), the current at that pin should be limited to 25 mA. The 50 mA maximum package input current rating limits the number of pins that can simultaneously safely exceed the power supplies with an input current of 25 mA to two.

Note 4: The maximum power dissipation must be derated at elevated temperatures and is dictated by T_{JMAX} , θ_{JA} and the ambient temperature, T_A . The maximum allowable power dissipation at any temperature is $P_D = (T_{JMAX} - T_A)/\theta_{JA}$. The values for maximum power dissipation listed above will be reached only when the device is operated in a severe fault condition (e.g. when input or output pins are driven beyond the power supply voltages, or the power supply polarity is reversed). Such conditions should always be avoided.

Note 5: Human body model is 100 pF capacitor discharged through a 1.5 k Ω resistor. Machine model is 220 pF discharged through 0 Ω .

Note 6: Reflow temperature profiles are different for lead-free and non-lead-free packages.

Note 7: The analog inputs are protected as shown below. Input voltage magnitudes beyond the supply rails will not damage the device, provided the current is limited per note 3. However, input errors will be generated if the input goes above V_A and below $AGND$.



20105371

Note 8: Typical figures are at $T_A = 25^\circ\text{C}$, and represent most likely parametric norms at the time of product characterization. The typical specifications are not guaranteed.

