


JGX-40FA

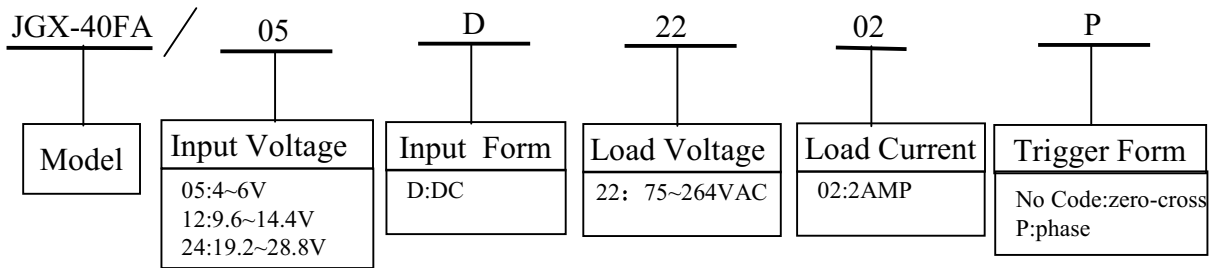
 <p>ISO 9001 Certified</p>	<p align="center">Solid State Relay</p> <p align="center">AC250V 2Amp</p>	<p align="center">JGX-40FA</p>
---	--	---------------------------------------



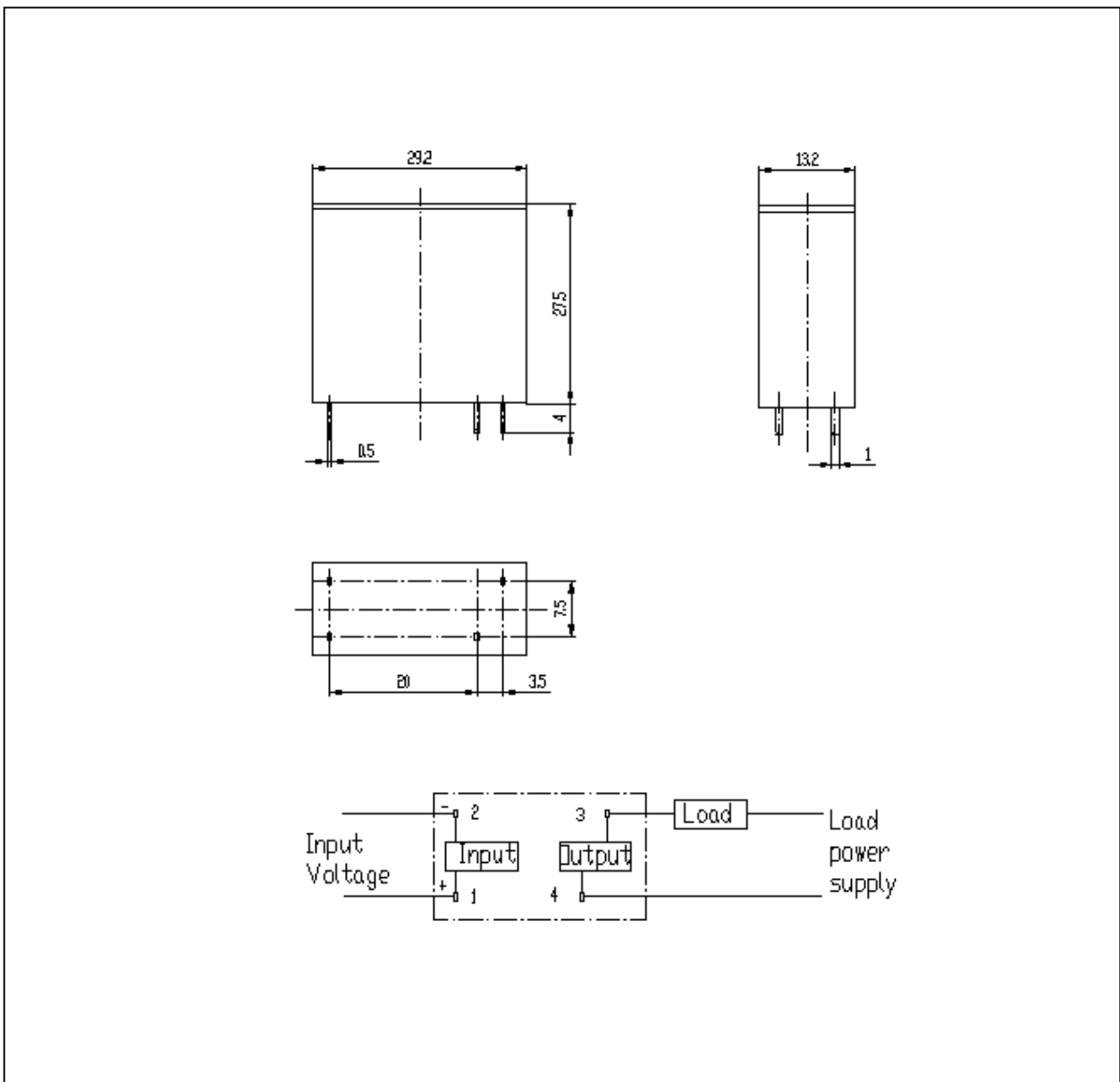
- *Optical Isolation*
- *Status Indicating LED*
- *High Dielectric Strength*
- *Both “Zero Voltage” & phase controllable “Random” Switching versions*
- *Internal RC snubber included*
- *PCB Mount*

INPUT	Control Voltage Range	05D	4 to 6 VDC
		12D	9.6 to 14.4VDC
		24D	19.2 to 28.8VDC
	Must Operate Voltage	05D	3.5VDC
		12D	8.4VDC
		24D	16.8VDC
	Must Release Voltage	05D	0.3VDC
12D		0.9VDC	
24D		1.8VDC	
Typical Input Current		12mA @ 5VDC	
OUTPUT	Load Voltage Range		75 to 264 VAC
	Load Current Rating		0.1-2A
	Max Surge Current(16.6mS)		30A
	Max On-State Voltage Drop		1.5 VAC
	Transient Overvoltage		600Vpk
	Max Leakage current		5mA
	Min Off-State dv/dt		100 v/us
	Frequency Range		47~70 Hz
	Max Turn-on Time		1/2 of cycle+1ms
	Max Turn-Off Time		1/2 of cycle+1ms
GENERAL	Dielectric strength		2500 VAC,1min
	Min Insulation resistance		1000M Ω min, 500VDC
	Ambient temp.range(Operating)		-30 to +80°C
	Termination		PCB terminal
	Weight(Max)		18g
	Construction		Fully-sealed

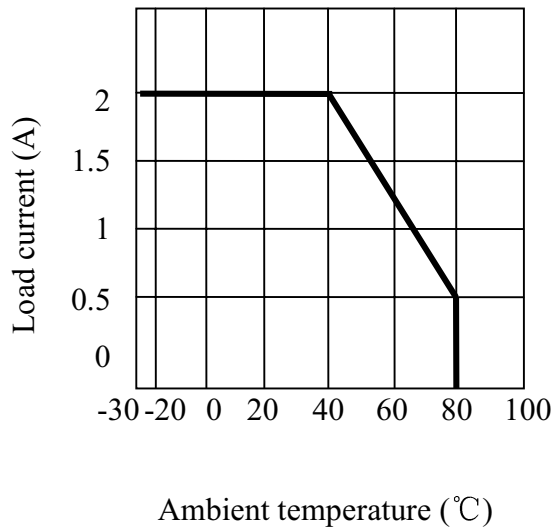
■ ORDER DESIGNATION



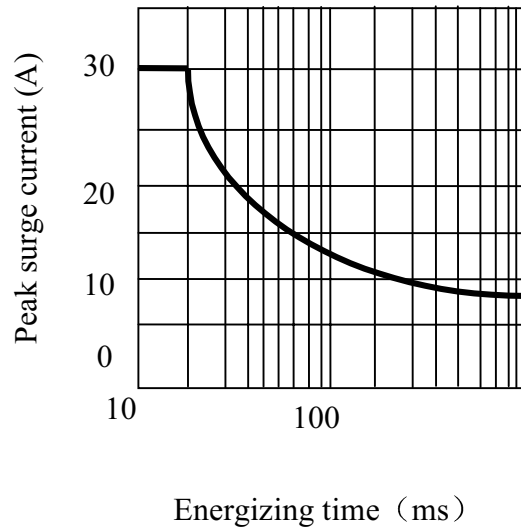
■ OUTLINE DIMENSIONS , MOUNTING AND WIRING



■ CHARACTERISTIC CURVES



Maximum load current vs. ambient temperature



Peak surge current vs. Surge current duration

■ PRECAUTIONS

LOAD CONNECTION

Before connecting a load that generates a high surge current, such as a lamp load, to the SSR, make sure that the SSR can withstand the surge current of the load.

The product data sheet shows the non-repetitive peak value of the surge current that flows through the SSR. Normally, use 1/2 the non-repetitive peak surge current as the standard value. If a surge current exceeding that value is expected, connect a quick-blowing fuse to protect the SSR.

■ NOTES

Soldering must be completed within 10 seconds at 260°C maximum.

To use the SSR output for phase control, select a model that doesn't incorporate a zero-cross function.

The load terminals are internally connected to a snubber circuit that absorbs noise. However, if wiring from these terminals is laid with or placed in the same duct as high-voltage or power lines, noise may be induced, causing the SSR to operate irregularly or malfunction.

When using the JGX-40FA for an AC load with a peak voltage of more than 600V, connect the load terminals of the relay to an inrush absorber.

When testing dielectric strength, apply voltage between input and output, input and output terminals should be shorted respectively.