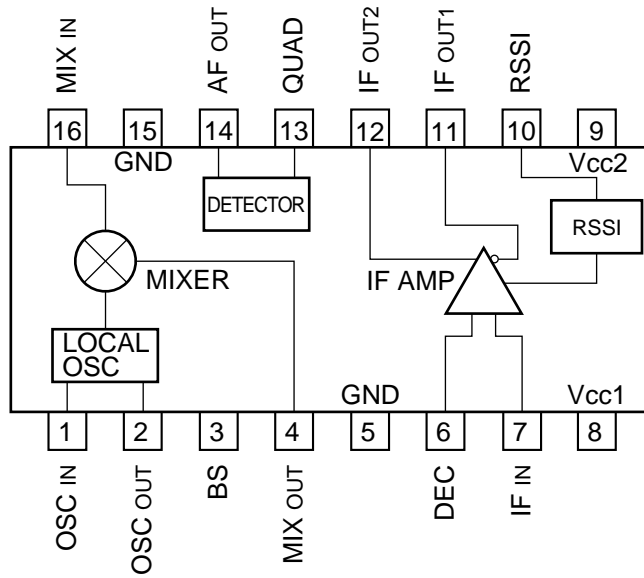

IF DETECTOR
—TOP VIEW—



- OSC IN, OUT ; LOCAL OSC INPUT
- BS ; BATTERY SAVE
- MIXER OUT ; MIXER OUTPUT
- DEC ; BIAS FOR IF INPUT
- IF IN ; IF INPUT
- RSSI ; RSSI OUTPUT
- IF OUT1, 2 ; IF LIMITTER OUTPUT
- QUAD ; PHASE INPUT FOR FM DETECTOR
- AF OUT ; DEMODULATION SIGNAL OUTPUT
- MIX IN ; MIXER INPUT