

8-bit Microcontroller with 16 Kbytes/ 32 Kbytes FLASH

1. Description

T89C51RB2/RC2 is a high performance FLASH version of the 80C51 8-bit microcontrollers. It contains a 16K or 32Kbytes Flash memory block for program and data.

The 16 Kbytes or 32 Kbytes FLASH memory can be programmed either in parallel mode or in serial mode with the ISP capability or with software. The programming voltage is internally generated from the standard V_{CC} pin.

The T89C51RB2/RC2 retains all features of the 80C52 with 256 bytes of internal RAM, a 7-source 4-level interrupt controller and three timer/counters.

In addition, the T89C51RB2/RC2 has a Programmable Counter Array, an XRAM of 1024 byte, a Hardware Watchdog Timer, a Keyboard Interface, a SPI Interface, a more versatile serial channel that facilitates multiprocessor communication (EUART) and a speed improvement mechanism (X2 mode).

Pinout is the standard 40/44 pins of the C52.

The fully static design of the T89C51RB2/RC2 allows to reduce system power consumption by bringing the clock frequency down to any value, even DC, without loss of data.

The T89C51RB2/RC2 has 2 software-selectable modes of reduced activity and 8 bit clock prescaler for further reduction in power consumption. In the Idle mode the CPU is frozen while the peripherals and the interrupt system are still operating. In the power-down mode the RAM is saved and all other functions are inoperative.

The added features of the T89C51RB2/RC2 make it more powerful for applications that need pulse width modulation, high speed I/O and counting capabilities such as alarms, motor control, corded phones, smart card readers.

2. Features

- 80C52 Compatible
 - 8051 pin and instruction compatible
 - Four 8-bit I/O ports
 - Three 16-bit timer/counters
 - 256 bytes scratch pad RAM
 - 10 Interrupt sources with 4 priority levels
 - Dual Data Pointer
- Variable length MOVX for slow RAM/peripherals
- ISP (In System Programming) using standard V_{CC} power supply.
- Boot ROM contains low level FLASH programming routines and a default serial loader
- High-Speed Architecture
 - 40 MHz in standard mode
 - 20 MHz in X2 mode (6 clocks/machine cycle)
- 16K/32K bytes on-chip FLASH program / data Memory
 - Byte and page (128 bytes) erase and write
 - 100k write cycles
- On-chip 1024 bytes expanded RAM (XRAM)
 - Software selectable size (0, 256, 512, 768, 1024 bytes)
 - 256 bytes selected at reset for TS87C51RB2/RC2 compatibility
- Keyboard interrupt interface on port P1
- SPI Interface (Master / Slave Mode)
- 8-bit clock prescaler
- Improved X2 mode with independent selection for CPU and each peripheral
- Programmable Counter Array 5 Channels with:
 - High Speed Output,
 - Compare / Capture,
 - Pulse Width Modulator,
 - Watchdog Timer Capabilities
- Asynchronous port reset
- Full duplex Enhanced UART
- Dedicated Baud Rate Generator for UART
- Low EMI (inhibit ALE)

T89C51RB2/RC2

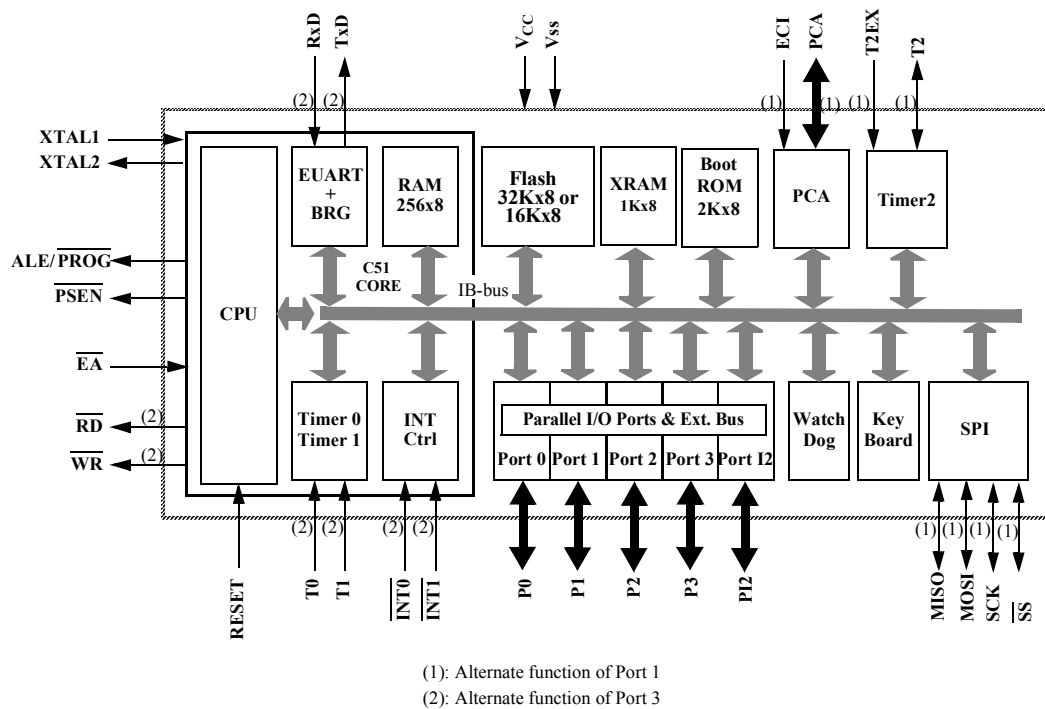


- Hardware Watchdog Timer (One-time enabled with Reset-Out)
- Power control modes:
 - Idle Mode.
 - Power-down mode.
 - 50μA at 3V
 - 100μA Commercial at 5V
 - 150μA Industrial at 5V
 - Power-Off Flag.
- Power supply: 4.5 to 5.5V or 2.7 to 3.6V
- Temperature ranges: Commercial (0 to +70°C) and industrial (-40°C to +85°C).
- Packages: PDIL40, PLCC44, VQFP44

Table 1. Memory Size

	Flash (bytes)	XRAM (bytes)	TOTAL RAM (bytes)	I/O
T89C51RB2	16k	1024	1280	32
T89C51RC2	32k	1024	1280	32

3. Block Diagram



4. SFR Mapping

The Special Function Registers (SFRs) of the T89C51RB2/RC2 fall into the following categories:

- C51 core registers: ACC, B, DPH, DPL, PSW, SP
- I/O port registers: P0, P1, P2, P3
- Timer registers: T2CON, T2MOD, TCON, TH0, TH1, TH2, TMOD, TL0, TL1, TL2, RCAP2L, RCAP2H
- Serial I/O port registers: SADDR, SADEN, SBUF, SCON
- PCA (Programmable Counter Array) registers : CCON , CCAPM_x , CL , CH , CCAP_xH , CCAP_xL (x : 0 to 4)
- Power and clock control registers: PCON
- Hardware Watchdog Timer registers : WDTRST, WDTPRG
- Interrupt system registers: IE0, IPL0, IPH0 , IE1 , IPL1 , IPH1
- Keyboard Interface registers : KBE , KBF , KBLS
- SPI registers : SPCON , SPSTR , SPDAT
- BRG (Baud Rate Generator) registers : BRL , BDRCON
- Flash register : FCON
- Clock Prescaler register : CKRL
- Others: AUXR, AUXR1 , CKCON0 , CKCON1

Table 2. Sfr mapping

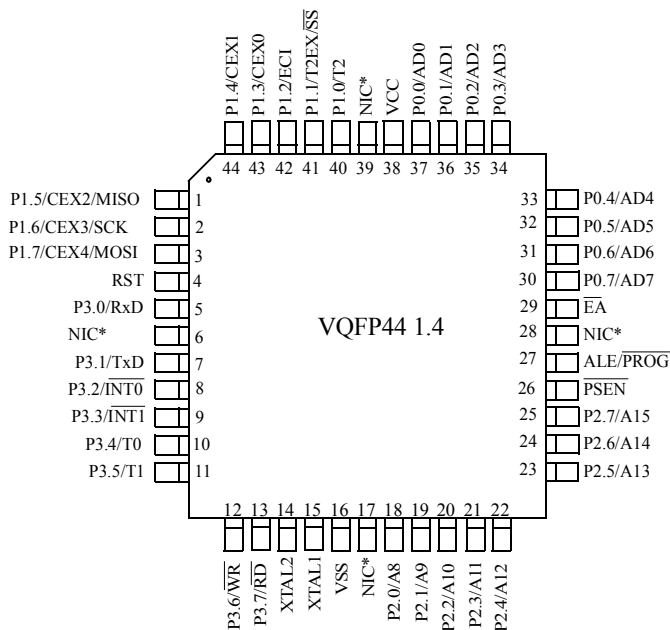
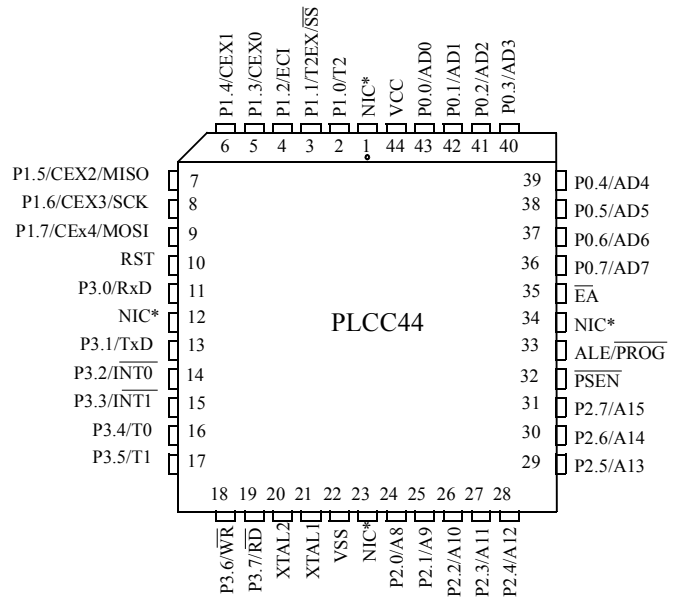
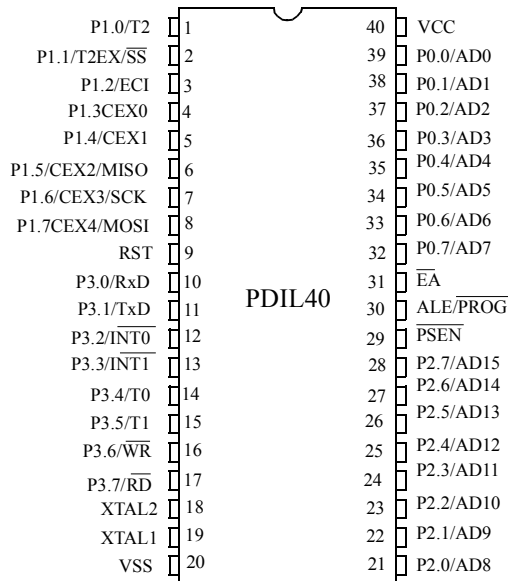
Table below shows all SFRs with their address and their reset value.

	Bit	Non Bit addressable							
	addressable	0/8	1/9	2/A	3/B	4/C	5/D	6/E	
F8h		CH 0000 0000	CCAP0H XXXX XXXX	CCAP1H XXXX XXXX	CCAPL2H XXXX XXXX	CCAPL3H XXXX XXXX	CCAPL4H XXXX XXXX		FFh
F0h	B 0000 0000								F7h
E8h		CL 0000 0000	CCAP0L XXXX XXXX	CCAP1L XXXX XXXX	CCAPL2L XXXX XXXX	CCAPL3L XXXX XXXX	CCAPL4L XXXX XXXX		EFh
E0h	ACC 0000 0000								E7h
D8h	CCON 00X0 0000	CMOD 00XX X000	CCAPM0 X000 0000	CCAPM1 X000 0000	CCAPM2 X000 0000	CCAPM3 X000 0000	CCAPM4 X000 0000		DFh
D0h	PSW 0000 0000	FCON (1) XXXX 0000							D7h
C8h	T2CON 0000 0000	T2MOD XXXX XX00	RCAP2L 0000 0000	RCAP2H 0000 0000	TL2 0000 0000	TH2 0000 0000			CFh
C0h				SPCON 0001 0100	SPSTA 0000 0000	SPDAT XXXX XXXX			C7h
B8h	IPL0 X000 000	SADEN 0000 0000							BFh
B0h	P3 1111 1111	IE1 XXXX X000	IPL1 XXXX X000	IPH1 XXXX X111				IPH0 X000 0000	B7h
A8h	IE0 0000 0000	SADDR 0000 0000						CKCON1 XXXX XXX0	AFh
A0h	P2 1111 1111		AUXR1 XXXX X0X0				WDTRST XXXX XXXX	WDTPRG XXXX X000	A7h
98h	SCON 0000 0000	SBUF XXXX XXXX	BRL 0000 0000	BDRCON XXX0 0000	KBLS 0000 0000	KBE 0000 0000	KBF 0000 0000		9Fh
90h	P1 1111 1111							CKRL 1111 1111	97h
88h	TCON 0000 0000	TMOD 0000 0000	TL0 0000 0000	TL1 0000 0000	TH0 0000 0000	TH1 0000 0000	AUXR XX0X 0000	CKCON0 0000 0000	8Fh
80h	P0 1111 1111	SP 0000 0111	DPL 0000 0000	DPH 0000 0000				PCON 00X1 0000	87h
	0/8	1/9	2/A	3/B	4/C	5/D	6/E	7/F	

 reserved

(1) FCON access is reserved for the FLASH API and ISP software.

5. Pin Configurations



*NIC: No Internal Connection

Table 3. Pin Description for 40/44 pin packages

Mnemonic	Pin Number			Type	Name and Function
	DIL	LCC	VQFP44 1.4		
V _{SS}	20	22	16	I	Ground: 0V reference
V _{CC}	40	44	38	I	Power Supply: This is the power supply voltage for normal, idle and power-down operation
P0.0-P0.7	39-32	43-36	37-30	I/O	Port 0: Port 0 is an open-drain, bidirectional I/O port. Port 0 pins that have 1s written to them float and can be used as high impedance inputs. Port 0 must be polarized to V _{CC} or V _{SS} in order to prevent any parasitic current consumption. Port 0 is also the multiplexed low-order address and data bus during access to external program and data memory. In this application, it uses strong internal pull-up when emitting 1s. Port 0 also inputs the code bytes during FLASH programming. External pull-ups are required during program verification during which P0 outputs the code bytes.
P1.0-P1.7	1-8	2-9	40-44 1-3	I/O	Port 1: Port 1 is an 8-bit bidirectional I/O port with internal pull-ups. Port 1 pins that have 1s written to them are pulled high by the internal pull-ups and can be used as inputs. As inputs, Port 1 pins that are externally pulled low will source current because of the internal pull-ups. Port 1 also receives the low-order address byte during memory programming and verification. Alternate functions for T89C51RB2/RC2 Port 1 include: P1.0 : Input / Output T2 (P1.0): Timer/Counter 2 external count input/Clockout P1.1 : Input / Output T2EX : Timer/Counter 2 Reload/Capture/Direction Control SS : SPI Slave Select P1.2 : Input / Output ECI : External Clock for the PCA P1.3: Input / Output CEX0 : Capture/Compare External I/O for PCA module 0 P1.4 : Input / Output CEX1 : Capture/Compare External I/O for PCA module 1 P1.5 : Input / Output CEX2 : Capture/Compare External I/O for PCA module 2 MISO : SPI Master Input Slave Output line When SPI is in master mode, MISO receives data from the slave peripheral. When SPI is in slave mode, MISO outputs data to the master controller. P1.6 : Input / Output CEX3 : Capture/Compare External I/O for PCA module 3 SCK : SPI Serial Clock SCK outputs clock to the slave peripheral P1.7 : Input / Output: CEX4 : Capture/Compare External I/O for PCA module 4 MOSI : SPI Master Output Slave Input line When SPI is in master mode, MOSI outputs data to the slave peripheral. When SPI is in slave mode, MOSI receives data from the master controller.
XTAL1	19	21	15	I	Crystal 1: Input to the inverting oscillator amplifier and input to the internal clock generator circuits.
XTAL2	18	20	14	O	Crystal 2: Output from the inverting oscillator amplifier

Mnemonic	Pin Number			Type	Name and Function
	DIL	LCC	VQFP44 1.4		
P2.0-P2.7	21-28	24-31	18-25	I/O	<p>Port 2: Port 2 is an 8-bit bidirectional I/O port with internal pull-ups. Port 2 pins that have 1s written to them are pulled high by the internal pull-ups and can be used as inputs. As inputs, Port 2 pins that are externally pulled low will source current because of the internal pull-ups. Port 2 emits the high-order address byte during fetches from external program memory and during accesses to external data memory that use 16-bit addresses (MOVX @DPTR). In this application, it uses strong internal pull-ups emitting 1s. During accesses to external data memory that use 8-bit addresses (MOVX @Ri), port 2 emits the contents of the P2 SFR. Some Port 2 pins receive the high order address bits during EPROM programming and verification: P2.0 to P2.5 for 16Kb devices P2.0 to P2.6 for 32Kb devices</p>
P3.0-P3.7	10-17	11, 13-19	5, 7-13	I/O	<p>Port 3: Port 3 is an 8-bit bidirectional I/O port with internal pull-ups. Port 3 pins that have 1s written to them are pulled high by the internal pull-ups and can be used as inputs. As inputs, Port 3 pins that are externally pulled low will source current because of the internal pull-ups. Port 3 also serves the special features of the 80C51 family, as listed below.</p> <p>RXD (P3.0): Serial input port TXD (P3.1): Serial output port INT0 (P3.2): External interrupt 0 INT1 (P3.3): External interrupt 1 T0 (P3.4): Timer 0 external input T1 (P3.5): Timer 1 external input WR (P3.6): External data memory write strobe RD (P3.7): External data memory read strobe</p>
RST	9	10	4	I/O	<p>Reset: A high on this pin for two machine cycles while the oscillator is running, resets the device. An internal diffused resistor to V_{SS} permits a power-on reset using only an external capacitor to V_{CC}. This pin is an output when the hardware watchdog forces a system reset.</p>
ALE/PROG	30	33	27	O (I)	<p>Address Latch Enable/Program Pulse: Output pulse for latching the low byte of the address during an access to external memory. In normal operation, ALE is emitted at a constant rate of 1/6 (1/3 in X2 mode) the oscillator frequency, and can be used for external timing or clocking. Note that one ALE pulse is skipped during each access to external data memory. This pin is also the program pulse input (PROG) during Flash programming. ALE can be disabled by setting SFR's AUXR.0 bit. With this bit set, ALE will be inactive during internal fetches.</p>
PSEN	29	32	26	O	<p>Program Strobe Enable: The read strobe to external program memory. When executing code from the external program memory, PSEN is activated twice each machine cycle, except that two PSEN activations are skipped during each access to external data memory. PSEN is not activated during fetches from internal program memory.</p>
EA	31	35	29	I	<p>External Access Enable: EA must be externally held low to enable the device to fetch code from external program memory locations 0000H to FFFFH (RD). If security level 1 is programmed, EA will be internally latched on Reset.</p>

6. Ordering Information

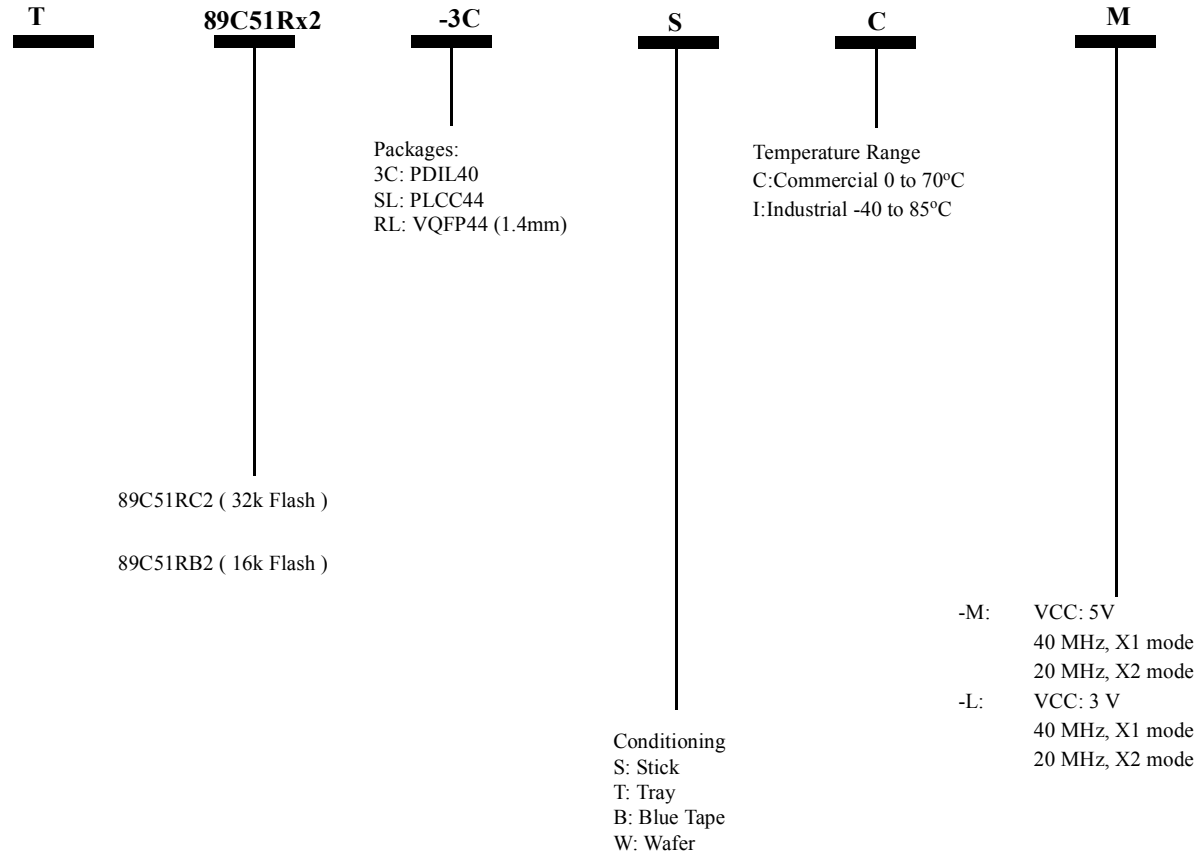


Table 4. Possible order entries

Extension	Type	T89C51RB2	T89C51RC2
-3CSCM	Stick, PDIL40, Com, 5V	X	X
-3CSIM	Stick, PDIL40, Ind, 5V	X	X
-SLSCM	Stick, PLCC44, Com, 5V	X	X
-SLSIM	Stick, PLCC44, Ind, 5V	X	X
-SLSCL	Stick, PLCC44, Com, 3V	X	X
-SLSIL	Stick, PLCC44, Ind, 3V	X	X
-RLTIM	Tray, VQFP44, Ind, 5V	X	X
-RLTCL	Tray, VQFP44, Com, 3V	X	X
-SLSEM	Stick, PLCC44, Sample, 5V	X	X