



Model name

PR 500-280

Name of series Nominal output power Nominal output voltage

Features

- CE marking (Low Voltage Directive)
- Rectifier module
AC filtering module used in AC front end of DC-DC module.
Connect external filtering capacitor to output.
- Input 100V/200VAC
- Output voltage detecting signal (power-on signal)
- Power failure alarm signal during instant input
- Wide baseplate temperature: -20 ~ +85°C
- Conduction cooling
- 2 year warranty

CE (Low Voltage Directive)

Multigrades : 2 year warranty

Specifications

1. Input voltage range	85 ~ 132VAC/170 ~ 265VAC (47 ~ 440Hz) selectable
2. Rated output voltage	280VDC (230 ~ 370VDC)
3. Max. output current/power	85 ~ 132VAC: 2.1A 500W, 170 ~ 265VAC: 3.15A 750W
4. Efficiency (typ)	95%: 200VAC at full load
5. Input alarm signal	Detection signal output when input 10mS or more is interrupted (ACF terminal)
6. Power on signal	Signal output while output voltage is supplied (ENA terminal) Connect to control terminal of DC-DC converter module
7. Auxiliary power	Auxiliary power output for external signal (AUX terminal: DC16 ~ 20V 10mA max.)
8. Cooling	Conduction cooling (Heatsink & airflow has to be chosen according to instruction manual)
9. Operating ambient temperature	Baseplate temperature: -20 ~ +85°C (output derating is different according to condition) Ambient temperature: above -20°C
10. Withstand voltage	Input/output terminal to baseplate: 3.0kVAC for 1 min.
11. Safety standard	Approved by UL1950 , CSA950(C-UL) and EN60950(BSI)

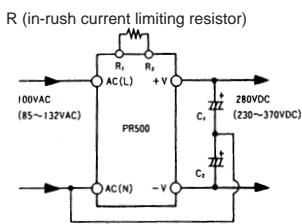
Product lineup

Model	Input voltage range	Input current (typ)	Nominal output voltage	Max. output current	Max. output power	UL	CSA	EN
PR500-280	85 ~ 132VAC	8.8A (input at 100VAC)	280VDC (230 ~ 370VDC)	2.10A (output at 240VDC)	500W	○	○	○
	170 ~ 265VAC	6.6A (input at 200VAC)		3.15A (output at 240VDC)	750W	○	○	○

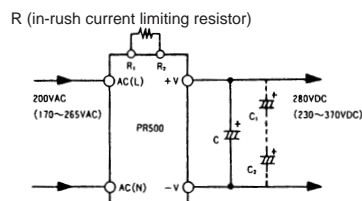
- Request customer specification for further details of specifications, outline, characteristics, etc.
Read the instruction manual before usage.
- Contact us about delivery before ordering.

○ : Safety standard approved

[Input 100VAC]

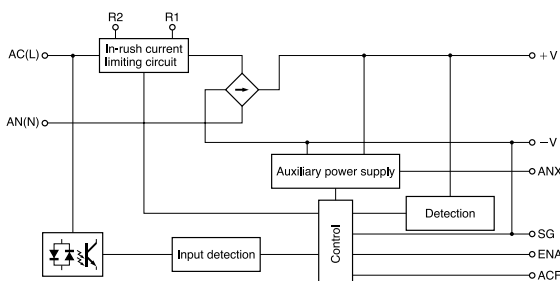


[Input 200VAC]

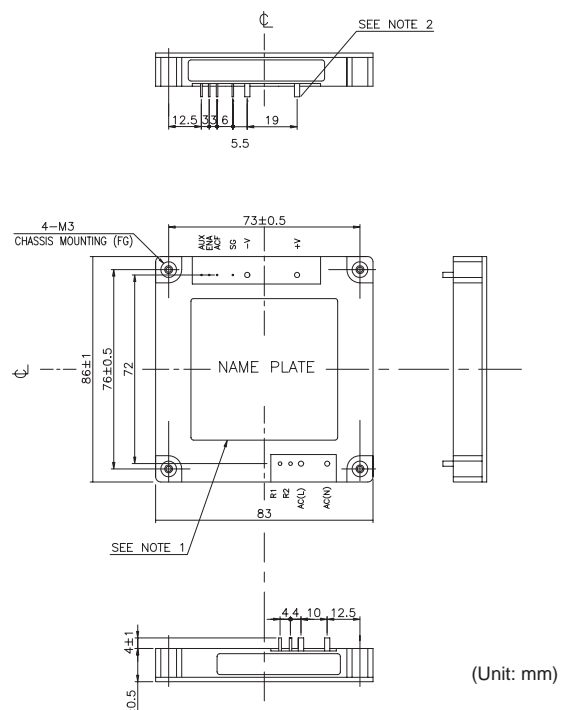


For 100/200V input selection, connect center mode of C1 and C2 to AC(N) of PR500 connector.
(C1, C2: cap for voltage doubler rectifier and filtering capacitor)

Block diagram



Outline drawings



Note 1: Model name, Input voltage range, Nominal output voltage, Maximum output current and country of manufacture are shown here.

Note 2: Input & output terminal
4-ø2
6-ø0.6

(Unit: mm)