

Provides several enhancements over the first generation

## THE SECOND GENERATION THREE TERMINAL PACKAGE INTELLIGENT POWER DEVICE SERIES FOR PWM CONVERTER

### ■ Feature

- Integrated PWM controller and 700V high voltage MOSFET in three terminal. Package.
- Several protection circuits are included(OCL, OTP, Timer auto restart mode etc).

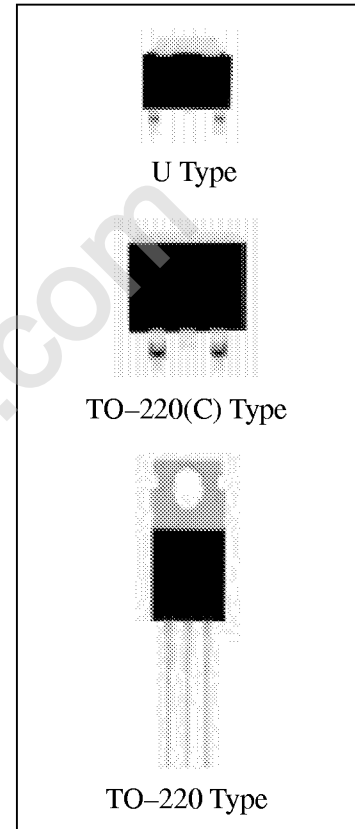
### ■ Application

- Power supply system :Flyback, Buck Boost, Forward.
- Output power :5~90W(Input voltage:85~264VAC).
- Application :AC.adapter, Charger etc.

### ■ Merit

- Reduction of size and meight(few parts).
- Simplifies design :Low noise, Reduces times time to market, Easy to design, High reliability.
- Low cost :Low assembly cost, High efficiency.

### ■ Package photograph



### ■ Line-up

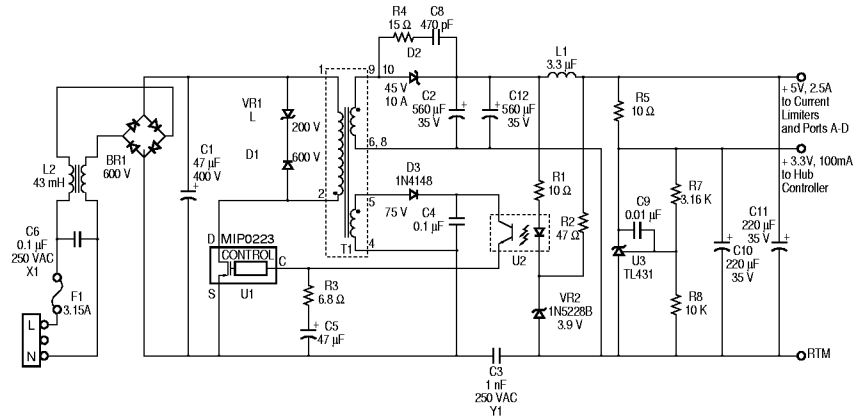
Product No.	Input Voltage	Output Power	Characteristics			Package	ES	PI. Product No.					
			V <sub>DSS</sub>	I <sub>DP</sub>	f <sub>osc</sub>								
MIP0221SY	85~ 264VAC	0~7W	700W	0.28A	100kHz	TO-220 TO-220(C) Upack DIL-8D	yes	TOP221Y					
MIP0222SY		7~15W		0.55A				TOP222Y					
MIP0223SY		15~30W		1.10A				TOP223Y					
MIP0224SY		20~45W		1.65A				TOP224Y					
MIP0225SY		30~60W		2.20A				TOP225Y					
MIP0226SY		35~75W		2.75A				TOP226Y					
MIP0227SY		45~90W		3.30A				TOP227Y					
MIP0122SY	85~ 132VAC	30W	400V	1.25A		TO-220		TOP122Y					
MIP0123SY		60W		2.15A				TOP123Y					
MIP0124SY		80W		3.10A				TOP124Y					
MIP0125SY		120W		4.60A				TOP125Y					
MIP0129SY		150W							10.00A				TOP129Y

† The products and specifications are subject to change without any notice. Please ask for the latest Product Standards to guarantee the satisfaction of your product requirements.

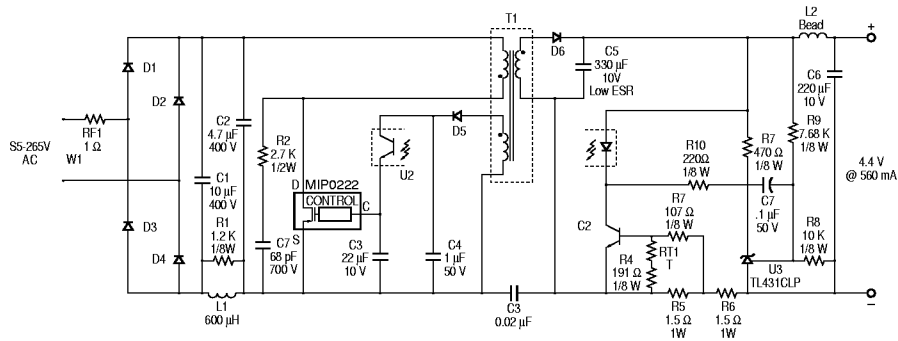
Matsushita Electronics Corporation

# SWITCHING POWER SUPPLY CIRCUIT

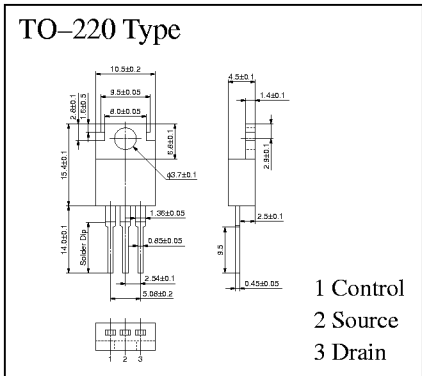
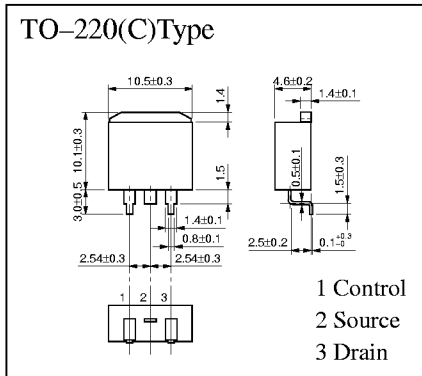
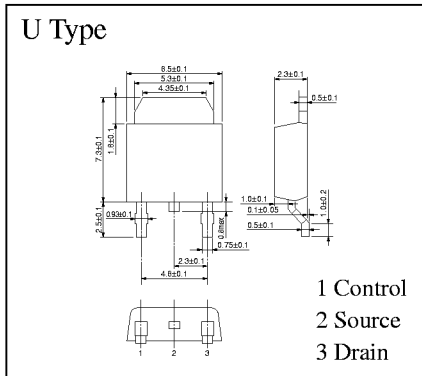
## ● FLYBACK TYPE



## ● CHARGER



## OUT-LINE



## PROUCT No./PACKAGE TYPE

MIP022X **A** **B** **C**

Package		<b>A</b>	<b>B</b>	<b>C</b>
TO-220		S	Y	
TO-220(C)		S	C	Z
	SMD	S	C	Y
	SMD(Taping)	S	C	L
U-pack		S	U	Z
	SMD	S	U	Y
	SMD(Taping)	S	U	L
DIL-8D		S	P	