

Raychem Corporation  
 300 Constitution Drive  
 Menlo Park, CA 94025  
 800-227-4856  
 FAX 800-227-4866

**Raychem**  
**PolySwitch®**  
**PTC Devices**  
 Overcurrent Protection Device

**PRODUCT: miniSMDE190**

DOCUMENT: SCD 24043  
 PCN: 676869  
 REV LETTER: E  
 REV DATE: JULY 15, 1999  
 PAGE: 1 OF 1

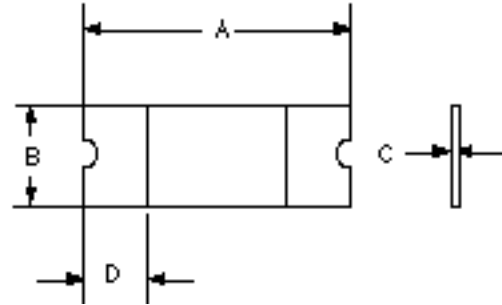
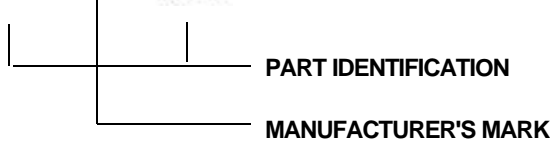
**Specification Status:    RELEASED**

**Maximum Electrical Rating**

**Voltage: 16V<sub>DC</sub>**  
**Current: 100A**

Marking:

19  6L



**TABLE I. DIMENSIONS:**

	A		B		C		D	
	MIN	MAX	MIN	MAX	MIN	MAX	MIN	MAX
mm:	11.15	11.51	4.83	5.33	0.33	0.53	0.51	1.02
in*:	(0.439)	(0.453)	(0.19)	(0.21)	(0.013)	(0.021)	(0.02)	(0.04)

\*Rounded off approximation

**TABLE II. PERFORMANCE RATINGS:**

I HOLD	I HOLD AT TEMPERATURE				TIME TO TRIP		REFERENCE RESISTANCE VALUES		ONE-HOUR POST-TRIP RESISTANCE		TRIPPED-STATE POWER DISSIPATION
	AMPS AT 20°C HOLD	AMPS AT 0°C HOLD	AMPS AT 20°C HOLD	AMPS AT 60°C HOLD	AMPS AT 80°C HOLD	SECONDS AT 20°C, 10A TYP   MAX	OHMS AT 20°C MIN   MAX	OHMS AT 20°C TYP   MAX	WATTS AT 20°C, 16V MAX		
1.9	2.2	1.9	1.1	0.5	0.70   2.0	0.024   0.040	0.065   0.080	1.5			

Reference Documents: PS300  
 Precedence: This specification takes precedence over documents referenced herein.  
 Effectivity: Reference documents shall be the issue in effect on the date of invitation for bid.  
 CAUTION: Operation beyond the rated voltage or current may result in rupture, electrical arcing or flame.