



Series DO, DMO

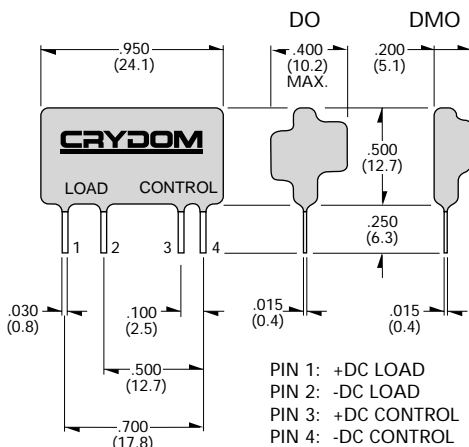
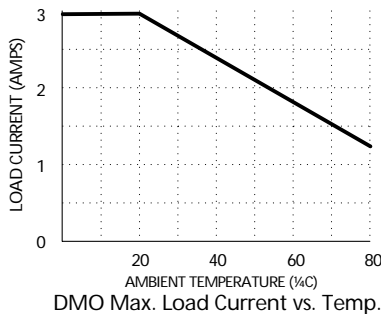
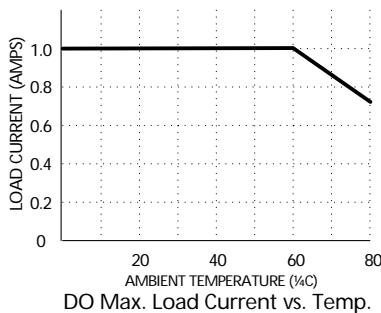
1-3.0 Amp • 60 Vdc • DC Output MINI-SIP

- Compact for High Density PCB Mount
- DC Control, DC Output
- Bipolar (DO) or MOSFET (DMO) Output
- 3-10 Vdc Logic Compatible Input
- Crydom's Patented Design

SPST-NO DC output relays in epoxy-coated packages utilize the popular .10" grid lead spacing. They are available with either bipolar transistor output (DO), or the DMO063 with MOSFET output rated at 3A/60 VDC.

Manufactured in Crydom's ISO 9002 Certified facility for optimum product performance and reliability.

CURRENT DERATING CURVES



	MODEL NO. DO061A ^④	DO061B ^④	DMO063 ^④
INPUT SPECIFICATIONS ①			
Control Voltage Range	3.0-9.0 Vdc	1.7-9.0 Vdc	3.0-10.0 Vdc
Nominal Input Impedance	270 Ohm	270 Ohm	200 Ohm
Typical Input Current @ 5 Vdc	15 mA _{dc}	15 mA _{dc}	20 mA _{dc}
Must Turn On Voltage	3.0 Vdc	1.7 Vdc	3.0 Vdc
Must Turn Off Voltage	1.0 Vdc	0.8 Vdc	1.0 Vdc

OUTPUT SPECIFICATIONS ①			
Operating Voltage Range	3-60 Vdc	3-60 Vdc	0-60 Vdc
Load Current Range	.02-1.0 Adc	.02-1.0 Adc	0-3.0 Adc
Max. Surge Current	5.0 Adc (1 Sec)	5.0 Adc (1 Sec)	12.0 Adc (10 ms)
Max. Off-State Leakage @ Rated Voltage	200 µA _{dc}	200 µA _{dc}	100 µA _{dc}
Max. On-State Voltage Drop @ Rated Current	1.5 Vdc	1.5 Vdc	0.4 Vdc ②
Max. Turn-On Time	50 µsec	50 µsec	50 µsec
Max. Turn-Off Time	50 µsec	150 µsec	300 µsec

GENERAL SPECIFICATIONS			
Dielectric Strength ③	4000 Vrms	4000 Vrms	2500 Vrms
Insulation Resistance (Min.) @ 500 Vdc ③	10 ⁹ Ohm	10 ⁹ Ohm	10 ⁹ Ohm
Max. Capacitance (Input/Output)	8.0 pF	8.0 pF	8.0 pF
Ambient Operating Temperature Range	-30 to 80 °C	-30 to 80 °C	-30 to 80 °C
Ambient Storage Temperature Range	-30 to 125 °C	-30 to 125 °C	-30 to 125 °C

MECHANICAL SPECIFICATIONS			
Weight: (typical)	0.15 oz. (4.3 g)		
Encapsulation:	Thermally Conductive Epoxy		

GENERAL NOTES ©2002 CRYDOM CORP, Specifications subject to change without notice.

- ① All parameters at 25 °C unless otherwise specified.
- ② Typical On-State Resistance = .13 |
- ③ Dielectric and insulation resistance are measured between input and output.
- ④ Inductive loads should be diode suppressed.

For recommended applications and more information contact:

USA: Sales Support (877) 502-5500 Tech Support (877) 702-7700 FAX (619) 710-8540
Crydom Corp, 2320 Paseo de las Americas, Ste. 201, San Diego, CA 92154

Email: sales@crydom.com WEB SITE: http://www.crydom.com

UK: +44 (0)1202 365070 • FAX +44 (0)1202 365090 Crydom International Ltd., 7 Cobham Road, Ferndown Industrial Estate, Ferndown, Dorset BH21 7PE, Email: intsales@crydom.com.

GERMANY: +49 (0)180 3000 506

