

# AZ DISPLAYS, INC.

---

*COMPLETE LCD SOLUTIONS*

## **SPECIFICATIONS FOR LIQUID CRYSTAL DISPLAY**

PART NUMBER:

ACM 0802C SERIES

DATE:

September 15, 1999

# ACM0802C SERIES LCD MODULE

## 1.0 MECHANICAL SPECS

1. Overall Module Size	58.0mm(W) x 32.0mm(H) x max 12.8mm(D) for LED backlight version 58.0mm(W) x 32.0mm(H) x max 8.6mm(D) for reflective version
2. Dot Size	0.56mm(W) x 0.66mm(H)
3. Dot Pitch	0.60mm(W) x 0.70mm(H)
4. Duty	1/16
5. Controller IC	KS0066
6. LC Fluid Options	TN, STN
7. Polarizer Options	Reflective, Transflective, Transmissive
8. Backlight Options	LED
9. Temperature Range Options	Standard (0°C ~ 50°C), Wide(-20°C ~ 70°C)

## 2.0 ABSOLUTE MAXIMUM RATINGS

Item	Symbol	Min	Typ	Max	Unit
Operating temperature (Standard)	Top	0	-	50	°C
Storage temperature (Standard)	Tst	-20	-	70	°C
Operating temperature (Wide temperature)	Top	-20	-	70	°C
Storage temperature (Wide temperature)	Tst	-30	-	80	°C
Input voltage	Vin	Vss		Vdd	V
Supply voltage for logic	Vdd- Vss	2.7	-	5.5	V
Supply voltage for LCD drive	Vdd- Vo	3.0	4.6	6.5	V

# ACM0802C SERIES LCD MODULE

## 3.0 ELECTRICAL CHARACTERISTICS

Item	Symbol	Condition	Min	Typ	Max	Unit
Input voltage (high)	$V_{ih}$	H level	2.2	-	$V_{dd}$	V
Input voltage (low)	$V_{il}$	L level	0	-	0.6	V
Recommended LC Driving Voltage (Standard Temp)	$V_{dd} - V_o$	0°C	-	4.8	5.4	V
		25°C	4.2	4.6	-	
		50°C	3.9	4.3	-	
Recommended LC Driving Voltage (Wide Temp)	$V_{dd} - V_o$	-20°C	-	6.4	7.2	V
		0°C	-	4.8	-	
		50°C	-	4.3	-	
		70°C	3.7	4.1	-	
Power Supply Current	$I_{dd}$	$V_{dd}=5.0V$ , $f_{osc}=270kHz$	-	0.5	1.0	mA
LED Power Supply Voltage	$V_{fled}$	$R=6.8\Omega$	-	4.6	5.0	V
LED Power Supply Current	$I_{fled}$	$R=6.8\Omega$	-	70	175	mA

## 4.0 OPTICAL CHARACTERISTICS (Ta=25°C, Vdd= 5.0V±0.25V, TN LC fluid)

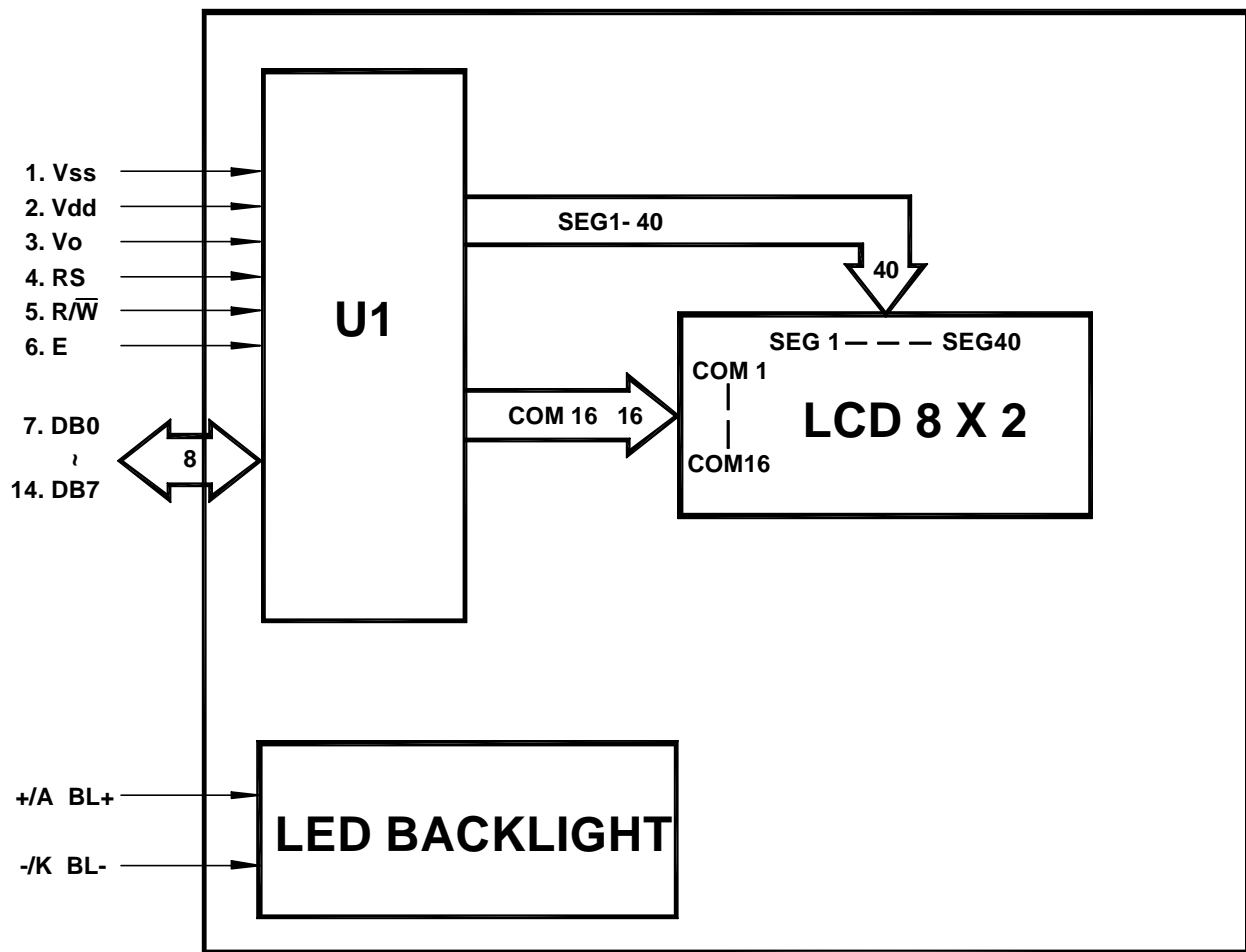
Item	Symbol	Condition	Min	Typ	Max	Unit
Viewing angle (horizontal)	$\theta$	$C_r \geq 4.0$	-25	-	-	deg
Viewing angle (vertical)	$\phi$	$C_r \geq 4.0$	-30	-	30	deg
Contrast Ratio	$C_r$	$\phi=0^\circ, \theta=0^\circ$	-	2	-	
Response time (rise)	$T_r$	$\phi=0^\circ, \theta=0^\circ$	-	120	150	ms
Response time (fall)	$T_f$	$\phi=0^\circ, \theta=0^\circ$	-	120	150	ms

# ACM0802C SERIES LCD MODULE

## 4.1 OPTICAL CHARACTERISTICS (Ta=25°C, Vdd= 5.0V±0.25V, STN LC fluid)

Item	Symbol	Condition	Min	Typ	Max	Unit
Viewing angle (horizontal)	$\theta$	$Cr \geq 2.0$	-60	-	35	deg
Viewing angle (vertical)	$\phi$	$Cr \geq 2.0$	-40	-	40	deg
Contrast Ratio	Cr	$\phi=0^\circ, \theta=0^\circ$	-	6	-	
Response time (rise)	Tr	$\phi=0^\circ, \theta=0^\circ$	-	150	250	ms
Response time (fall)	Tf	$\phi=0^\circ, \theta=0^\circ$	-	150	250	ms

## 5.0 BLOCK DIAGRAM

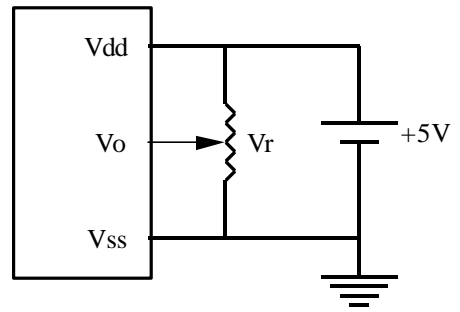


# ACM0802C SERIES LCD MODULE

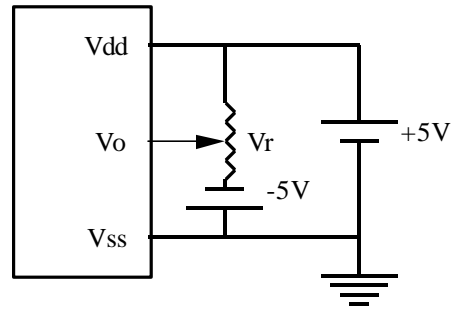
## 6.0 PIN ASSIGNMENT

Pin No.	Symbol	Function
1	V <sub>ss</sub>	Ground
2	V <sub>dd</sub>	+5V
3	V <sub>o</sub>	LCD contrast adjust
4	RS	Register select
5	R/W	Read / write
6	E	Enable
7	DB0	Data bit 0
8	DB1	Data bit 1
9	DB2	Data bit 2
10	DB3	Data bit 3
11	DB4	Data bit 4
12	DB5	Data bit 5
13	DB6	Data bit 6
14	DB7	Data bit 7
+A	BL+	Power Supply for BL+
-K	BL-	Power Supply for BL-

## 7.0 POWER SUPPLY



STANDARD TEMP RANGE



WIDE TEMP RANGE

$$V_r = 10K\Omega \sim 20K\Omega$$

## 8.0 TIMING CHARACTERISTICS

Item	Symbol	Test Condition	Min.	Typ.	Max.	Unit
Enable cycle time	$t_c$	Fig. a, Fig. b	500	-	-	ns
Enable pulse width	$t_w$	Fig. a, Fig. b	220	-	-	ns
Enable rise/fall time	$t_r, t_f$	Fig. a, Fig. b	-	-	25	ns
RS, R/W set up time	$t_{su}$	Fig. a, Fig. b	40	-	-	ns
RS, R/W hold time	$t_h$	Fig. a, Fig. b	10	-	-	ns
Data delay time	$t_b$	Fig. b	-	-	120	ns
Data set up time	$t_{dsu}$	Fig. a	60	-	-	ns
Data hold time	$t_{dh}$	Fig. a, Fig. b	20	-	-	ns

# ACM0802C SERIES LCD MODULE

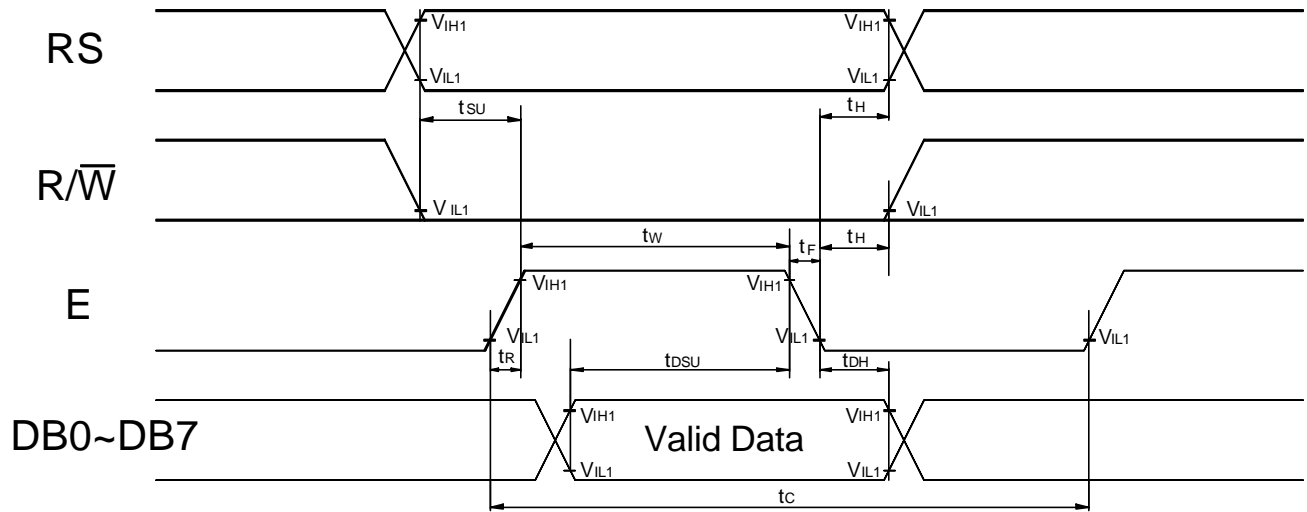


Fig. a Interface timing (data write)

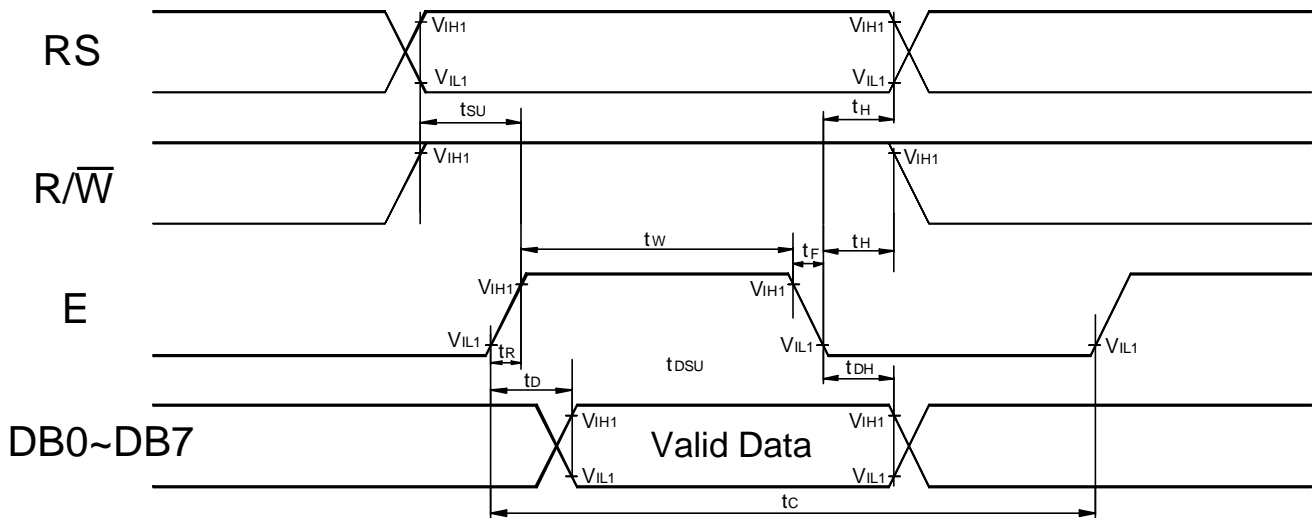


Fig. b Interface timing (data read)

# ACM0802C SERIES LCD MODULE

## 9.0 MECHANICAL DIAGRAM

