

Wireless Components

ASK Single Conversion Receiver 390MHz

TDA 5204 E1

Version 1.0

Specification December 2000

preliminary

Revision History		
Current Version: 1.0 as of 12.01.01		
Previous Version: none		
Page (in previous Version)	Page (in current Version)	Subjects (major changes since last revision)

ABM®, AOP®, ARCOFI®, ARCOFI®-BA, ARCOFI®-SP, DigiTape®, EPIC®-1, EPIC®-S, ELIC®, FALC®54, FALC®56, FALC®-E1, FALC®-LH, IDEC®, IOM®, IOM®-1, IOM®-2, IPAT®-2, ISAC®-P, ISAC®-S, ISAC®-S TE, ISAC®-P TE, ITAC®, IWE®, MUSAC®-A, OCTAT®-P, QUAT®-S, SICAT®, SICOFI®, SICOFI®-2, SICOFI®-4, SICOFI®-4μC, SLICOFI® are registered trademarks of Infineon Technologies AG.

ACE™, ASM™, ASP™, POTSWIRE™, QuadFALC™, SCOUT™ are trademarks of Infineon Technologies AG.

Edition 12.00

**Published by Infineon Technologies AG,
Balanstraße 73,
81541 München**

© Infineon Technologies AG December 2000.
All Rights Reserved.

Attention please!

As far as patents or other rights of third parties are concerned, liability is only assumed for components, not for applications, processes and circuits implemented within components or assemblies.

The information describes the type of component and shall not be considered as assured characteristics.

Terms of delivery and rights to change design reserved.

Due to technical requirements components may contain dangerous substances. For information on the types in question please contact your nearest Infineon Technologies Office.

Infineon Technologies AG is an approved CECC manufacturer.

Packing

Please use the recycling operators known to you. We can also help you – get in touch with your nearest sales office. By agreement we will take packing material back, if it is sorted. You must bear the costs of transport.

For packing material that is returned to us unsorted or which we are not obliged to accept, we shall have to invoice you for any costs incurred.

Components used in life-support devices or systems must be expressly authorized for such purpose!

Critical components¹ of the Infineon Technologies AG, may only be used in life-support devices or systems² with the express written approval of the Infineon Technologies AG.

1 A critical component is a component used in a life-support device or system whose failure can reasonably be expected to cause the failure of that life-support device or system, or to affect its safety or effectiveness of that device or system.

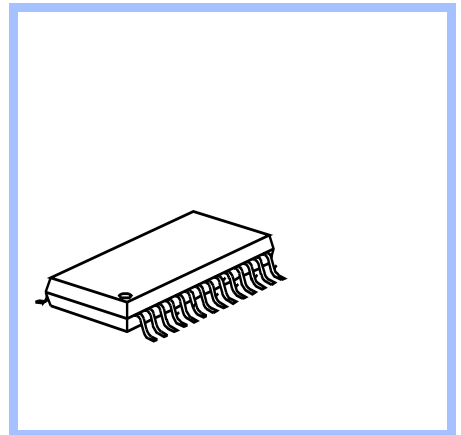
2 Life support devices or systems are intended (a) to be implanted in the human body, or (b) to support and/or maintain and sustain human life. If they fail, it is reasonable to assume that the health of the user may be endangered.

Product Info

General Description

The IC is a very low power consumption single chip ASK Single Conversion Receiver for receive frequencies between 385 and 406MHz. The Receiver offers a high level of integration and needs only a few external components. The device contains a low noise amplifier (LNA), a double balanced mixer, a fully integrated VCO, a PLL synthesiser, a crystal oscillator, a limiter with RSSI generator, a data filter, a data comparator (slicer) and a peak detector. Additionally there is a power down feature to save battery life.

Package



Features

- Low supply current ($I_s = 4.8\text{mA typ.}$)
- Supply voltage range $5\text{V} \pm 10\%$
- Temperature range $-40^\circ\text{C} \dots +85^\circ\text{C}$
- Power down mode with very low supply current (50nA typ)
- Fully integrated VCO and PLL Synthesiser
- RF input sensitivity $< -110\text{dBm}$
- 390MHz band
- Selectable reference frequency
- Limiter with RSSI generation, operating at 10.7MHz
- 2nd order low pass data filter with external capacitors
- Data slicer with self-adjusting threshold

Application

- Keyless Entry Systems
- Remote Control Systems
- Fire Alarm Systems
- Low Bitrate Communication Systems

Ordering Information

Type	Ordering Code	Package
TDA 5204	Q67037-A1169	P-TSSOP-28-1
available on tape and reel		

1

Table of Contents

1	Table of Contents	1-i
2	Product Description	2-1
2.1	Overview	2-2
2.2	Application	2-2
2.3	Features	2-2
2.4	Possible Receive Ranges	2-3
2.5	Package Outlines	2-3
3	Functional Description	3-1
3.1	Pin Configuration	3-2
3.2	Pin Definition and Function	3-3
3.3	Functional Block Diagram	3-8
3.4	Functional Blocks	3-8
3.4.1	Low Noise Amplifier (LNA)	3-8
3.4.2	Mixer	3-9
3.4.3	PLL Synthesizer	3-9
3.4.4	Crystal Oscillator	3-9
3.4.5	Limiter	3-10
3.4.6	Data Filter	3-10
3.4.7	Data Slicer	3-10
3.4.8	Peak Detector	3-10
3.4.9	Bandgap Reference Circuitry	3-11

4 Applications	4-1
4.1 LNA and Automatic Gain Control (AGC)	4-2
4.2 Data Filter Design	4-4
4.3 Quartz Load Capacitance Calculation	4-5
4.4 Quartz Frequency Calculation	4-6
4.5 Data Slicer Threshold Generation	4-7
5 Reference	5-1
5.1 Electrical Data	5-2
5.1.1 Absolute Maximum Ratings	5-2
5.1.2 Operating Range	5-3
5.1.3 AC/DC Characteristics	5-4
5.2 Test Circuit	5-8
5.3 Test Board Layouts	5-9
5.4 Bill of Materials	5-11

2 Product Description

Contents of this Chapter

2.1	Overview	2-2
2.2	Application	2-2
2.3	Features	2-2
2.4	Possible Receive Ranges	2-3
2.5	Package Outlines	2-3

2.1 Overview

The IC is a very low power consumption single chip ASK Superheterodyne Receiver (SHR) for the frequency band 390MHz. The SHR offers a high level of integration and needs only a few external components. The device contains a low noise amplifier (LNA), a double balanced mixer, a fully integrated VCO, a PLL synthesiser, a crystal oscillator, a limiter with RSSI generator, a data filter, a data comparator (slicer) and a peak detector. Additionally there is a power down feature to save battery life.

2.2 Application

- Keyless Entry Systems
- Remote Control Systems
- Fire Alarm Systems
- Low Bitrate Communication Systems

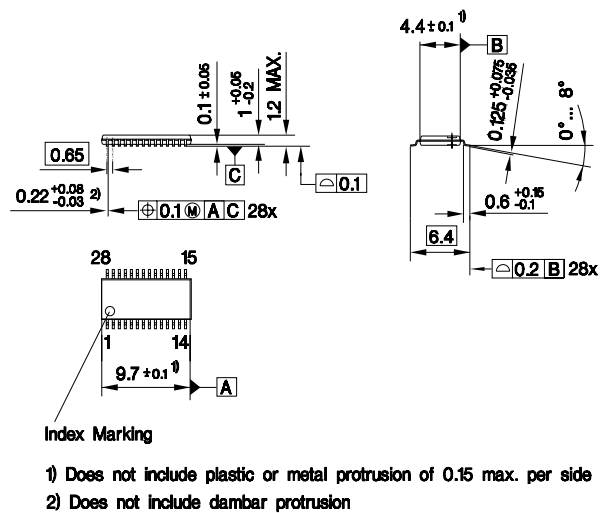
2.3 Features

- Low supply current ($I_s = 4.8\text{mA typ.}$)
- Supply voltage range $5\text{V} \pm 10\%$
- Power down mode with very low supply current (50nA typ.)
- Fully integrated VCO and PLL Synthesiser
- RF input sensitivity $< -110\text{dBm}$
- frequency band 390MHz
- Selectable reference frequency
- Limiter with RSSI generation, operating at 10.7MHz
- 2nd order low pass data filter with external capacitors
- Data slicer with self-adjusting threshold
- Temperature range $-40^\circ\text{C} \dots +85^\circ\text{C}$

2.4 Possible Receive Ranges

- 385...406MHz (high-side injected)
- 406...428MHz (low-side injected)
- 781...823MHz (high-side injected)
- 803...844MHz (low-side injected)

2.5 Package Outlines



P_TSSOP_28.EPS

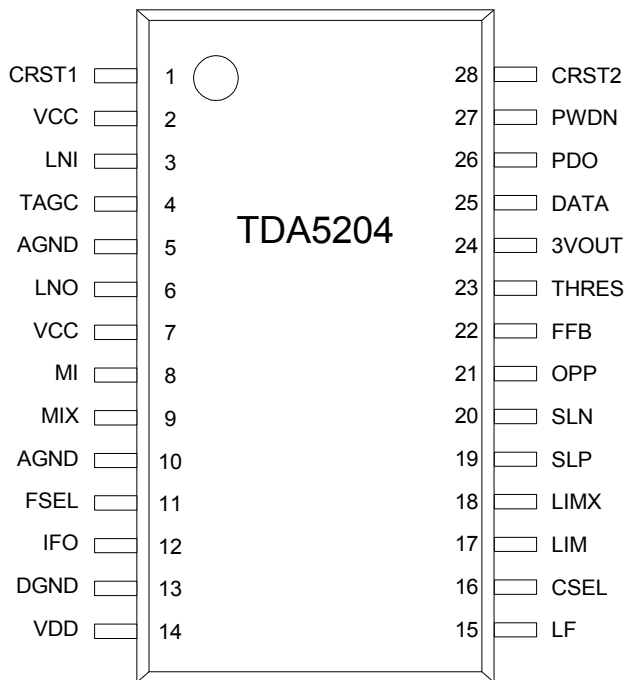
Figure 2-1 P-TSSOP-28-1 package outlines

3 Functional Description

Contents of this Chapter

3.1	Pin Configuration	3-2
3.2	Pin Definition and Function.....	3-3
3.3	Functional Block Diagram.....	3-8
3.4	Functional Blocks	3-8

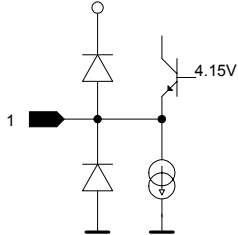
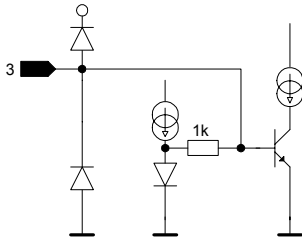
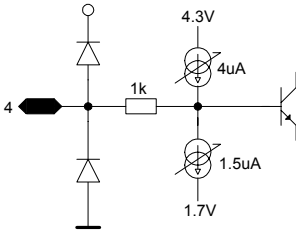
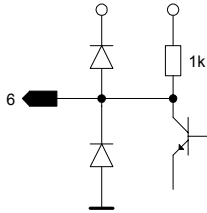
3.1 Pin Configuration

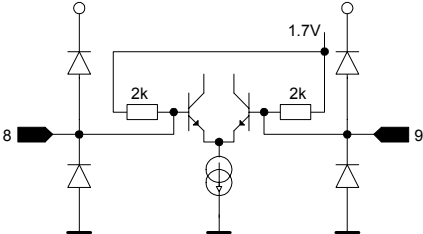
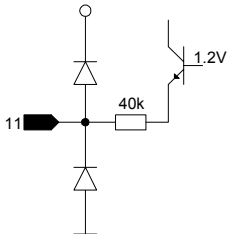
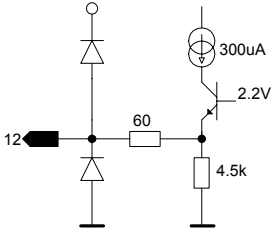
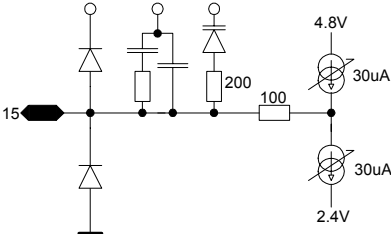


Pin_Configuration.wmf

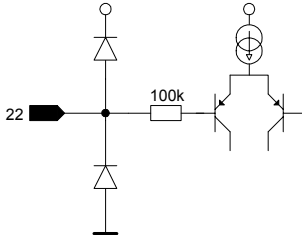
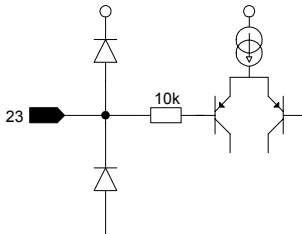
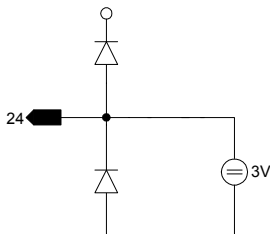
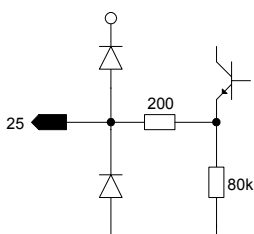
Figure 3-1 IC Pin Configuration

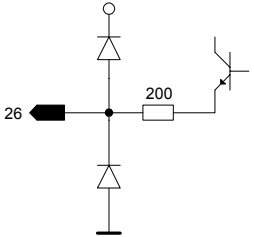
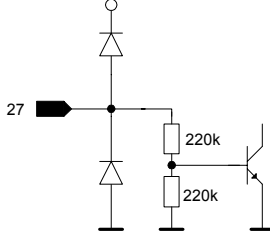
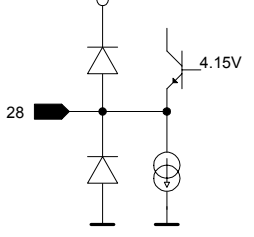
3.2 Pin Definition and Function

Table 3-1 Pin Definition and Function			
Pin No.	Symbol	Equivalent I/O-Schematic	Function
1	CRST1		External Crystal Connector 1
2	VCC		5V Supply
3	LNI		LNA Input
4	TAGC		AGC Time Constant Control
5	AGND		Analogue Ground Return
6	LNO		LNA Output
7	VCC		5V Supply

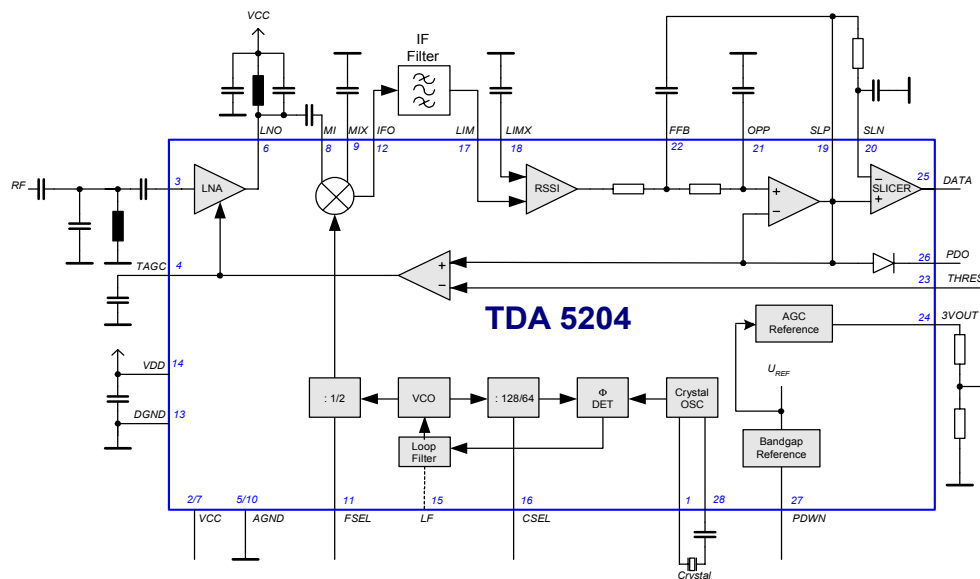
<p>8 MI</p>		<p>Mixer Input Complementary Mixer Input</p>
<p>10 AGND</p>		<p>Analogue Ground Return</p>
<p>11 FSEL</p>		<p>390MHz: not applicable - has to be left open</p>
<p>12 IFO</p>		<p>10.7 MHz IF Mixer Output</p>
<p>13 DGND</p>		<p>Digital Ground Return</p>
<p>14 VDD</p>		<p>5V Supply (PLL Counter Circuitry)</p>
<p>15 LF</p>		<p>PLL Filter Access Point (Loop Filter)</p>

16	CSEL		6.xx or 12.xx MHz Quartz Selector
17	LIM		Limiter Input
18	LIMX		Complementary Limiter Input
19	SLP		Data Filter Output Data Slicer Positive Input Peak Detector Input
20	SLN		Data Slicer Negative Input
21	OPP		OpAmp Noninverting Input

22	FFB		Data Filter Feedback Pin
23	THRES		AGC Threshold Input
24	3VOUT		3V Reference Output
25	DATA		Data Output

26	PDO	 <p>Peak Detector Output</p>
27	PDWN	 <p>Power Down Input Vs --> Power ON GND---> Power Down</p>
28	CRST2	 <p>External Crystal Connector 2</p>

3.3 Functional Block Diagram



Function_5204.wmf

Figure 3-2 Main Block Diagram

3.4 Functional Blocks

3.4.1 Low Noise Amplifier (LNA)

The LNA is an on-chip cascode amplifier with a voltage gain of 15 to 20dB. The gain figure is determined by the external matching networks situated ahead of LNA and between the LNA output **LNO** (Pin 6) and the Mixer Inputs **MI** and **MIX** (Pins 8 and 9). The noise figure of the LNA is approximately 2dB, the current consumption is 500µA. The gain can be reduced by approximately 18dB. The switching point of this AGC action can be determined externally by applying a threshold voltage at the **THRES** pin (Pin 23). This voltage is compared internally with the received signal (RSSI) level generated by the limiter circuitry. In case that the RSSI level is higher than the threshold voltage the LNA gain is reduced and vice versa. The threshold voltage can be generated by attaching a voltage divider between the **3VOUT** pin (Pin 24) which provides a temperature stable 3V output generated from the internal bandgap voltage and the **THRES** pin as described in Section 4.1. The time constant of the AGC action can be determined by connecting a capacitor to the **TAGC** pin (Pin 4) and should be chosen along with the appropriate threshold voltage according to the intended operat-

ing case and interference scenario to be expected during operation. The optimum choice of AGC time constant and the threshold voltage is described in Section 4.1.

3.4.2 Mixer

The Double Balanced Mixer downconverts the input frequency (RF) 390MHz to the intermediate frequency (IF) at 10.7MHz with a voltage gain of approximately 21dB. A low pass filter with a corner frequency of 20MHz is built on chip in order to suppress RF signals to appear at the IF output (**IFO** pin). The IF output is internally consisting of an emitter follower that has a source impedance of approximately 330Ω to facilitate interfacing the pin directly to a standard 10.7MHz ceramic filter without additional matching circuitry.

3.4.3 PLL Synthesizer

The Phase Locked Loop synthesiser consists of a VCO, an asynchronous divider chain, a phase detector with charge pump and a loop filter and is fully implemented on-chip. The VCO is including spiral inductors and varactor diodes. It's nominal centre frequency is 800MHz. The **FSEL** pin (Pin 11) has to be left open. No additional components are necessary. The oscillator signal is fed both to the synthesiser divider chain and to the downconverting mixer. The VCO signal is divided by two before it is fed to the mixer. The loop filter is also realised fully on-chip.

3.4.4 Crystal Oscillator

The on-chip crystal oscillator circuitry allows for utilisation of quartzes both in the 6 and 12MHz range as the overall division ratio of the PLL can be switched between 64 and 128 via the **CSEL** (Pin 16) pin according to the following table.

Table 3-2 CSEL Pin Operating States	
CSEL	Crystal Frequency
Open	6.xx MHz
Shorted to ground	12.xx MHz

The calculation of the value of the necessary quartz load capacitance is shown in Section 4.3, the quartz frequency calculation is explained in Section 4.4.

3.4.5 Limiter

The Limiter is an AC coupled multistage amplifier with a cumulative gain of approximately 80dB that has a bandpass-characteristic centred around 10.7MHz. It has an input impedance of 330 Ω to allow for easy interfacing to a 10.7MHz ceramic IF filter. The limiter circuit acts as a Receive Signal Strength Indicator (RSSI) generator which produces a DC voltage that is directly proportional to the input signal level as can be seen in Figure 4.1. This signal is used to demodulate the ASK receive signal in the subsequent baseband circuitry and to turn down the LNA gain by approximately 18dB in case the input signal strength is too strong as described in Section 3.4.1 and Section 4.1.

3.4.6 Data Filter

The data filter comprises an OP-Amp with a bandwidth of 100kHz used as a voltage follower and two 100k Ω on-chip resistors. Along with two external capacitors a 2nd order Sallen-Key low pass filter is formed. The selection of the capacitor values is described in Section 4.2.

3.4.7 Data Slicer

The data slicer is a fast comparator with a bandwidth of 100 kHz. This allows for a maximum receive data rate of approximately 120kBaud. The maximum achievable data rate also depends on the IF Filter bandwidth and the local oscillator tolerance values. Both inputs are accessible. The output delivers a digital data signal (CMOS-like levels) for the detector. The self-adjusting threshold on **pin SLN** (pin 20) its generated by RC-term or peak detector depending on the baseband coding scheme. The data slicer threshold generation alternatives are described in more detail in Section 4.5.

3.4.8 Peak Detector

The peak detector generates a DC voltage which is proportional to the peak value of the receive data signal. An external RC network is necessary. The output can be used as an indicator for the signal strength and also as a reference for the data slicer. The maximum output current is approx. 900 μ A.

3.4.9 Bandgap Reference Circuitry

A Bandgap Reference Circuit provides a temperature stable reference voltage for the device. A power down mode is available to switch off all subcircuits which is controlled by the **PWDN pin** (Pin 27) as shown in the following table. The supply current drawn in this case is typically 50nA.

PWDN	Operating State
Open or tied to ground	Powerdown Mode
Tied to Vs	Receiver On

4 Applications

Contents of this Chapter

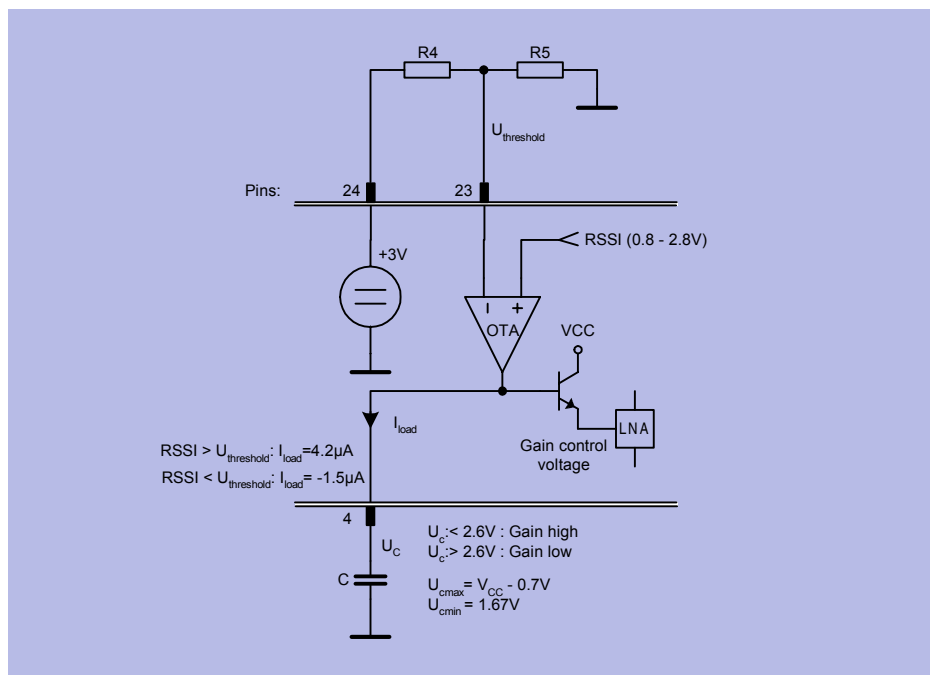
4.1	LNA and Automatic Gain Control (AGC)	4-2
4.2	Data Filter Design	4-4
4.3	Quartz Load Capacitance Calculation	4-5
4.4	Quartz Frequency Calculation	4-6
4.5	Data Slicer Threshold Generation	4-7

4.1 LNA and Automatic Gain Control (AGC)

The AGC extends the dynamic range of the receiver.

The automatic gain control in the TDA5204 is a narrow-band control loop which compares the receive signal strength signal (RSSI, 0.8V to 2.8V) from the limiter with a fixed threshold voltage applied to **pin 23** (THRES).

In the following figure the internal circuitry of the LNA automatic gain control is shown.

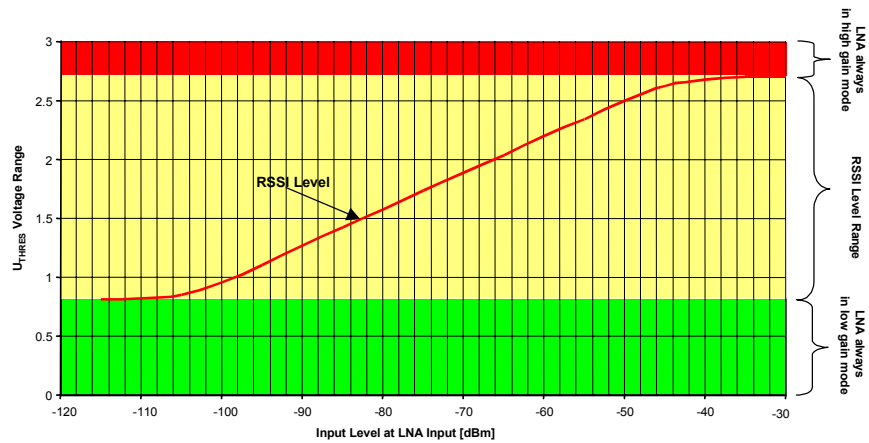


LNA_autom.wmf

Figure 4-1 LNA Automatic Gain Control Circuitry

The fixed voltage on **pin 23** is generated on the external voltage divider. The comparator is a transimpedance amplifier (OTA), which creates a positive current (+4.2µA) in the case the RSSI level is larger than the threshold voltage. Otherwise the current is -1.5µA. This leads to an asymmetric fast-attack and slow-release behaviour and thus to fast reaction to the low gain mode and slow reaction to the high gain mode.

This current is converted into a control voltage over an external capacitor C attached to **pin 4** (TAGC) which defines the gain of the LNA. The limits of the control voltages for the LNA on pin4 are 1.67V for high gain mode and Vcc-0.7V for low gain mode.



RSSI-AGC.wmf

Figure 4-2 RSSI Level an Permissive AGC Threshold Level

The value of the capacitor defines the response time of the AGC. For a stable control loop the capacitor value should be at least 47nF.

The AGC can be disabled by tying the THRES-pin either to GND or to VCC as show here:

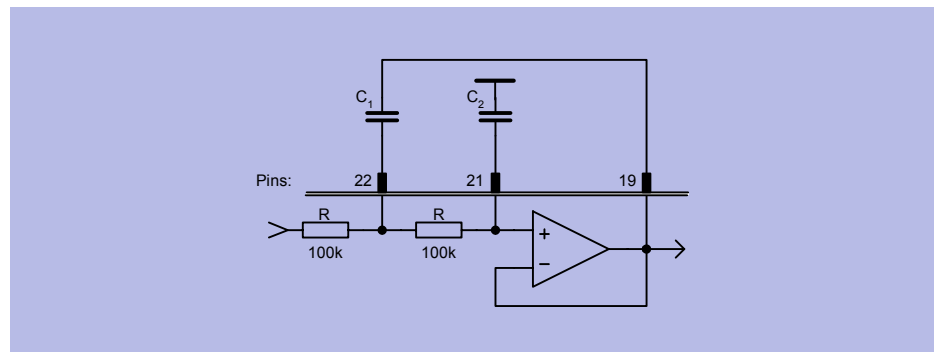
LNA high gain: - **pin 23** (THRES) shorted to VCC

LNA low gain: - **pin 23** (THRES) shorted to GND

In these cases capacitor and voltage divider are not necessary.

4.2 Data Filter Design

Utilising the on-board voltage follower and the two 100kΩ on-chip resistors a 2nd order Sallen-Key low pass data filter can be constructed by adding 2 external capacitors between **pins 19** (SLP) and **22** (FFB) and to **pin 21** (OPP) as depicted in the following figure and described in the following formulas¹.



Filter_Design.wmf

Figure 4-3 Data Filter Design

(1)

$$C_1 = \frac{2 \cdot Q \sqrt{b}}{R \cdot 2\pi f_{3dB}}$$

(2)

$$C_2 = \frac{\sqrt{b}}{4Q \cdot R \cdot \pi f_{3dB}}$$

with

$$Q = \frac{\sqrt{b}}{a}$$

(3) the quality factor of the poles

where

in case of a Bessel filter

$$a = 1.3617, b = 0.618$$

and thus

$$Q = 0.577$$

and in case of a Butterworth filter

$$a = 1.41, b = 1$$

and thus

$$Q = 0.71$$

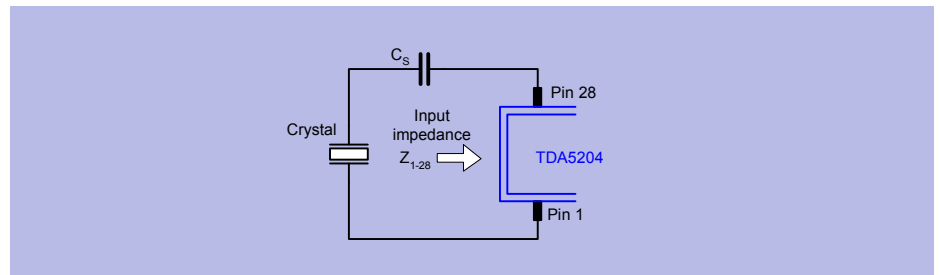
Example: Butterworth filter with $f_{3dB} = 5\text{kHz}$ and $R = 100\text{k}\Omega$:

$$C_1 = 450\text{pF}, C_2 = 225\text{pF}$$

1. taken from Tietze/Schenk: Halbleiterschaltungstechnik, Springer Berlin, 1999

4.3 Quartz Load Capacitance Calculation

The value of the capacitor necessary to achieve that the quartz oscillator is operating at the intended frequency is determined by the reactive part of the negative resistance of the oscillator circuit as shown in Section 5.1.3 and by the quartz specifications given by the quartz manufacturer.



Quartz_load.wmf

Figure 4-4 Determination of Series Capacitance Value for the Quartz Oscillator

The quartz oscillator input impedance consists of a negative resistance and an inductance L.

Crystal specified with load capacitance

$$C_s = \frac{1}{\frac{1}{C_L} + (2\pi f)^2 L}$$

with C_L the load capacitance (refer to the quartz crystal specification).

Examples with typ. values:

6.26 MHz: $C_L = 12 \text{ pF}$ $L=21\mu\text{H}$ $C_S = 8.6 \text{ pF}$

12.52 MHz: $C_L = 12 \text{ pF}$ $L=19\mu\text{H}$ $C_S = 5 \text{ pF}$

These values may be obtained by putting two capacitors in series to the quartz.

4.4 Quartz Frequency Calculation

The quartz frequency is calculated by using the following formula:

$$f_{QU} = (f_{RF} \pm 10.7\text{MHz}) / r \quad (1),$$

with

- f_{RF} receive frequency
- +/- ... high-side / low-side injected
- f_{LO} local oscillator (PLL) frequency ($f_{RF} \pm 10.7$)
- f_{QU} quartz oscillator frequency
- r ratio of local oscillator (PLL) frequency and quartz frequency as shown in the subsequent table.

Table 4-1

frequency range f_{RF}	high-side injected	low-side injected	FSEL Pin11
385...406MHz	X		open
406...428MHz		X	open
781...823MHz	X		GND
803...844MHz		X	GND

Table 4-2

quartz crystal range	CSEL Pin16
6.xx MHz	open
12.xx MHz	GND

Table 4-3

FSEL	CSEL	Ratio r (f_{LO}/f_{QU})
open	open	64
open	GND	32
GND	open	128
GND	GND	64

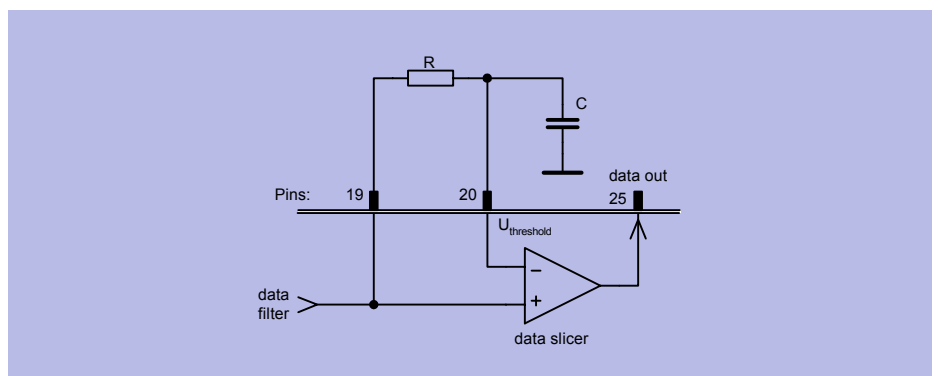
Example: $f_{RF}=390\text{MHz}$

$$f_{QU}=(390\text{MHz}+10.7\text{MHz}) / 64 = 6.2609375\text{MHz}$$

$$f_{QU}=(390\text{MHz}+10.7\text{MHz}) / 32 = 12.521875\text{MHz}$$

4.5 Data Slicer Threshold Generation

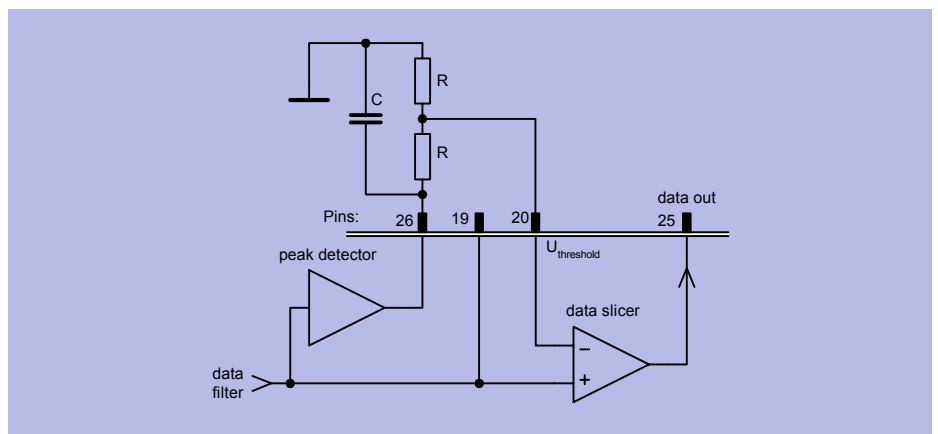
The threshold of the data slicer can be generated in two ways, depending on the signal coding scheme used. In case of a signal coding scheme without DC content such as Manchester coding the threshold can be generated using an external R-C integrator as shown in the following . The cut-off frequency of the R-C integrator has to be lower than the lowest frequency appearing in the data signal. In order to keep distortion low, the minimum value for R is 20k Ω .



Data_slice1.wmf

Figure 4-5 Data Slicer Threshold Generation with External R-C Integrator

Another possibility for threshold generation is to use the peak detector in connection with two resistors and one capacitor as shown in the following figure. The component values are depending on the coding scheme and the protocol used.



Data_slice2.wmf

Figure 4-6 Data Slicer Threshold Generation Utilising the Peak Detector

5 Reference

Contents of this Chapter

5.1	Electrical Data.	5-2
5.2	Test Circuit	5-8
5.3	Test Board Layouts.	5-9
5.4	Bill of Materials	5-11

5.1 Electrical Data

5.1.1 Absolute Maximum Ratings



WARNING

The maximum ratings may not be exceeded under any circumstances, not even momentarily and individually, as permanent damage to the IC will result.

Table 5-1 Absolute Maximum Ratings, Ambient temperature $T_{AMB} = -40^{\circ}\text{C} \dots + 85^{\circ}\text{C}$

#	Parameter	Symbol	Limit Values		Unit	Remarks
			min	max		
1	Supply Voltage	V_s	-0.3	5.5	V	
2	Junction Temperature	T_j	-40	+125	$^{\circ}\text{C}$	
3	Storage Temperature	T_s	-60	+150	$^{\circ}\text{C}$	
4	Thermal Resistance	R_{thJA}		114	K/W	
5	ESD integrity, all pins	V_{ESD}	-1	+1	kV	HBM according to MIL STD 883D, method 3015.7

5.1.2 Operating Range

Within the operating range the IC operates as explained in the circuit description. The AC/DC characteristic limits are not guaranteed.

Supply voltage: $V_{CC} = 4.5V \dots 5.5V$

Table 5-2 Operating Range, Ambient temperature $T_{AMB} = -40^{\circ}C \dots +85^{\circ}C$

#	Parameter	Symbol	Limit Values		Unit	Test Conditions	L	Item
			min	max				
1	Supply Current	I_S		6.4	mA	$f_{RF} = 390MHz$		
2	Power Down Current	I_{PVDN}		250	nA			
3	Receiver Input Level	RF_{in}	-110	-13	dBm	@ source impedance 50Ω, BER 2E-3, average power level, Manchester encoded datarate 4kBit, 280kHz IF Bandwidth, with AGC	■	
4	Receive Frequency	f_{RF}	385	406	MHz			

■ This value is guaranteed by design.

5.1.3 AC/DC Characteristics

AC/DC characteristics involve the spread of values guaranteed within the specified voltage and ambient temp. range. Typical characteristics are the median of the production. The device performance parameters marked with ■ were measured on an Infineon evaluation board as described in Section 5.2. Currents flowing into the device are denoted as positive currents and vice versa.

Table 5-3 AC/DC Characteristics with T_A 25 °C, $V_{VCC} = 4.5 \dots 5.5$ V

#	Parameter	Symbol	Limit Values			Unit	Test Conditions	L	Item
			min	typ	max				
Supply									
Supply Current									
1	Supply current, standby mode	$I_{S\ PDWN}$		50	150	nA	Pin 27 (PDWN) open or tied to 0 V		
2	Supply current	I_S		4.8	5.5	mA			
LNA									
Signal Input LNI (PIN 3), high gain mode									
1	Average Power Level at BER = 2E-3 (Sensitivity)	RF_{in}		-112		dBm	Manchester encoded datarate 4kBit, 280kHz IF Bandwidth	■	
2	Input impedance, $f_{RF} = 390$ MHz	$S_{11\ LNA}$	0.879 / -31 deg					■	
3	Input level @ 1dB C.P. $f_{RF}=390$ MHz	$P1dB_{LNA}$		-14		dBm		■	
4	Input 3 rd order intercept point $f_{RF} = 390$ MHz	$IIP3_{LNA}$		-10		dBm	$f_{in} = 390$ MHz	■	
5	LO signal feedthrough at antenna port	LO_{LNI}		-119		dBm		■	
Signal Output LNO (PIN 6), high gain mode									
1	Gain $f_{RF} = 390$ MHz	$S_{21\ LNA}$	1.578 / 141.8deg					■	
2	Output impedance, $f_{RF} = 390$ MHz	$S_{22\ LNA}$	0.8822 / -12.13deg					■	
3	Voltage Gain Antenna to MI $f_{RF} = 390$ MHz	G_{AntMI}		21		dB		■	
4	Noise Figure	NF_{LNA}		2		dB	excluding matching network loss - see Appendix	■	
Signal Input LNI, low gain mode									
1	Input impedance, $f_{RF} = 390$ MHz	$S_{11\ LNA}$	0.903 / -31.8deg					■	
2	Input level @ 1dB C. P. $f_{RF} = 390$ MHz	$P1dB_{LNA}$		-7		dBm	matched input	■	

Table 5-3 AC/DC Characteristics with T_A 25 °C, $V_{CC} = 4.5 \dots 5.5$ V (continued)

	Parameter	Symbol	Limit Values			Unit	Test Conditions	L	Item
			min	typ	max				
Signal Input LNI, $V_{THRES} = GND$, low gain mode									
3	Input 3 rd order intercept point $f_{RF} = 390$ MHz	IIP3 _{LNA}		-13		dBm	$f_{in} = 390$ MHz	■	
Signal Output LNO, $V_{THRES} = GND$, low gain mode									
1	Gain $f_{RF} = 390$ MHz	S_{21} LNA	0.1834 / 144deg					■	
2	Output impedance, $f_{RF} = 390$ MHz	S_{22} LNA	0.897 / -12.4deg					■	
3	Voltage Gain Antenna to MI $f_{RF} = 390$ MHz	G_{AntMI}		2		dB		■	
Signal 3VOUT (PIN 24)									
1	Output voltage	V_{3VOUT}	2.9	3	3.1	V			
2	Load current out	I_{3VOUT}			-50	μA			
Signal THRES (PIN 23)									
1	Input Voltage range	V_{THRES}	0		V_S	V	see chapter 4.1		
2	LNA low gain mode	V_{THRES}	0		0.5	V			
3	LNA high gain mode	V_{THRES}	3.3		V_S	V			
4	Current in	I_{THRES_in}		-5		nA		■	
Signal TAGC (PIN 4)									
1	Current out, LNA low gain state	I_{TAGC_out}	-2.5	-4.2	-5.5	μA	RSSI > V_{THRES}		
2	Current in, LNA high gain state	I_{TAGC_in}	0.5	1.5	4	μA	RSSI < V_{THRES}		
MIXER									
Signal Input MI/MIX (PINS 8/9)									
1	Input impedance, $f_{RF} = 390$ MHz	S_{11} MIX	0.9413 / -13.1deg					■	
2	Input 3 rd order intercept point	IIP3 _{MIX}		-25		dBm		■	
Signal Output IFO (PIN 12)									
1	Output impedance	Z_{IFO}		330		Ω		■	
2	Conversion Voltage Gain $f_{RF}=390$ MHz	G_{MIX}		+21		dB		■	
3	Noise Figure, SSB (~DSB NF+3dB)	NF _{MIX}		13		dB		■	
4	RF to IF isolation	A_{RF-IF}		46		dB		■	

Table 5-3 AC/DC Characteristics with T_A 25 °C, $V_{CC} = 4.5 \dots 5.5$ V (continued)

	Parameter	Symbol	Limit Values			Unit	Test Conditions	L	Item
			min	typ	max				
LIMITER									
Signal Input LIM/X (PINS 17/18)									
1	Input Impedance	Z_{LIM}	264	330	396	Ω		■	
2	RSSI dynamic range	DR_{RSSI}	60	70	80	dB		■	
3	RSSI linearity	LIN_{RSSI}		± 1		dB		■	
4	Operating frequency (3dB points)	f_{LIM}	5	10.7	23	MHz		■	
5	RSSI Level at Data Filter Output SLP	$RSSI_{low}$	0.4	0.8	1.2	V	Limiter_in: 10uV		
6	RSSI Level at Data Filter Output SLP	$RSSI_{high}$	2.3	2.8	3.2	V	Limiter_in: 100mV		
DATA FILTER									
1	Max. useable bandwidth	BW_{BB} FILT		100		kHz		■	
SLICER									
Signal Output DATA (PIN 25)									
1	Max. useable bandwidth	BW_{BB} SLIC		100		kHz		■	
2	LOW output voltage	V_{SLIC_L}	0		100	mV			
3	HIGH output voltage	V_{SLIC_H}	$V_S - 1.2$	$V_S - 1$	$V_S - 0.7$	V			
4	Output current	I_{SLIC_out}	-400	-800	-1100	μA	high level drive		
5	Output impedance	R_{out}	60	80	100	$k\Omega$	low level drive		
PEAK DETECTOR									
Signal Output PDO (PIN 26)									
1	Load current	I_{load}	-500	-950	-1200	μA			
2	Leakage current	$I_{leakage}$	0	700	2000	nA			

Table 5-3 AC/DC Characteristics with T_A 25 °C, $V_{CC} = 4.5 \dots 5.5$ V (continued)

	Parameter	Symbol	Limit Values			Unit	Test Conditions	L	Item
			min	typ	max				

CRYSTAL OSCILLATOR
Signals CRSTL1, CRISTL 2, (PINS 1/28)

1	Operating frequency	f_{CRSTL}	1		14	MHz	fundamental mode, series resonance		
2	Negative Resistance @ ~6MHz	$Re\{Z_{1-28}\}$		-750		Ω		■	
3	Negative Resistance @ ~12MHz	$Re\{Z_{1-28}\}$		-450		Ω		■	
4	Input Inductance @ ~6MHz	$Im\{Z_{1-28}\} / 2\pi f$		21		μH		■	
5	Input Inductance @ ~12MHz	$Im\{Z_{1-28}\} / 2\pi f$		19		μH		■	

PLL
Signal LF (PIN 15)

1	Tuning voltage relative to V_S	V_{TUNE}	0.5	1.05	2	V			
---	----------------------------------	------------	-----	------	---	---	--	--	--

POWER DOWN Pin
Signal PDWN (PIN 27)

1	Powerdown Mode On	$PWDN_{ON}$	0		0.8	V			
2	Powerdown Mode Off	$PWDN_{Off}$	2.8		V_S	V			
3	Input bias current	I_{PWD}		19		μA	Power On Mode	■	
4	Start-up Time until valid IF signal is detected	T_{SU}			1	ms			

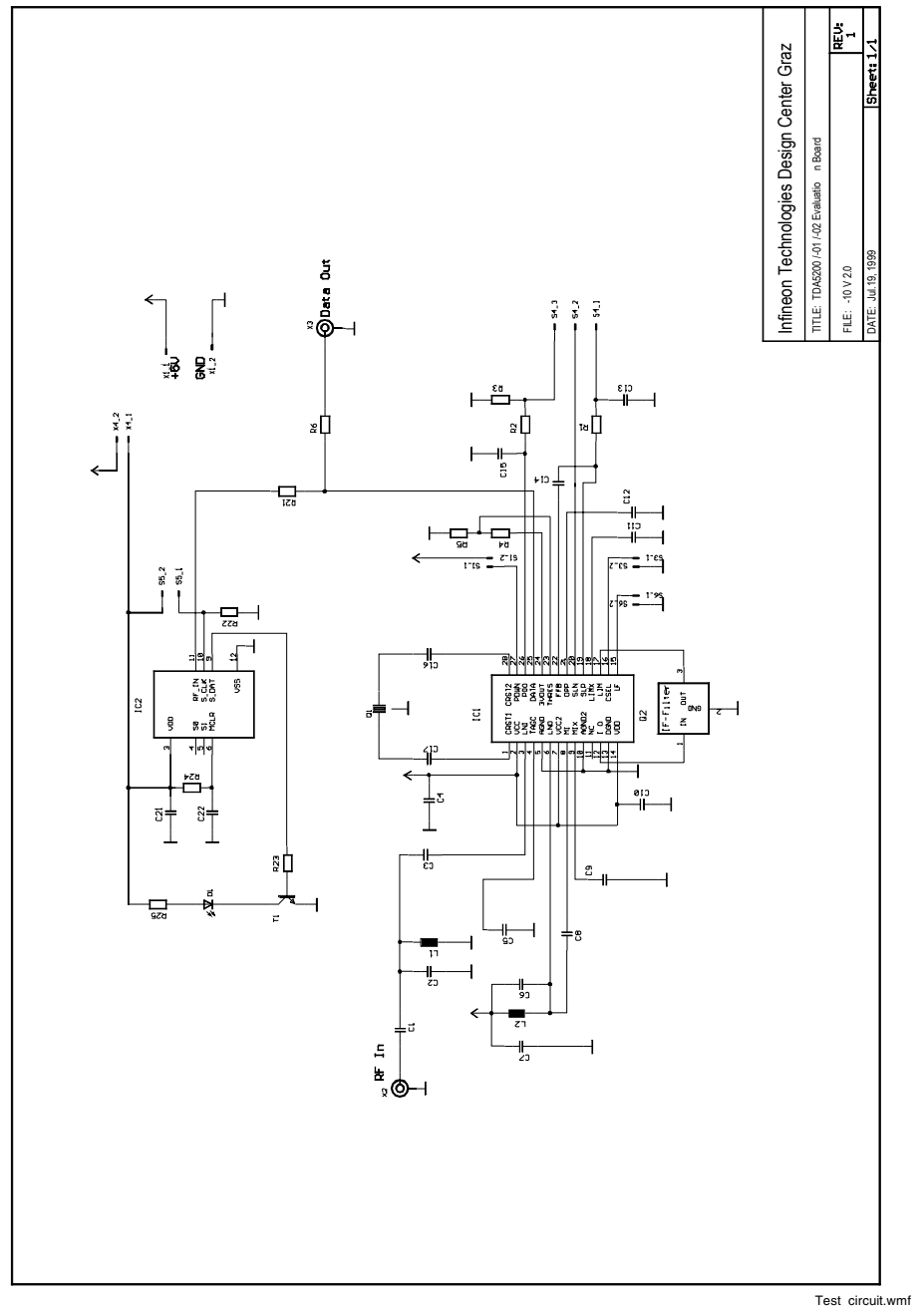
PLL DIVIDER
Signal CSEL (PIN 16)

1	f_{CRSTL} range 6.xxMHz	V_{CSEL}	1.4		4	V	or open		
2	f_{CRSTL} range 12.xxMHz	V_{CSEL}	0		0.2	V			
3	Bias current CSEL	I_{CSEL}		-5		μA	CSEL tied to GND	■	

■ Measured only in lab.

5.2 Test Circuit

The device performance parameters marked with ■ in Section 5.1.3 were measured on an Infineon evaluation board. This evaluation board can be obtained together with evaluation boards of the accompanying transmitter device TDA51xx in an evaluation kit that may be ordered on the INFINEON RKE Webpage www.infineon.com/rke



Test_circuit.wmf

Figure 5-1 Schematic of the Evaluation Board

5.3 Test Board Layouts

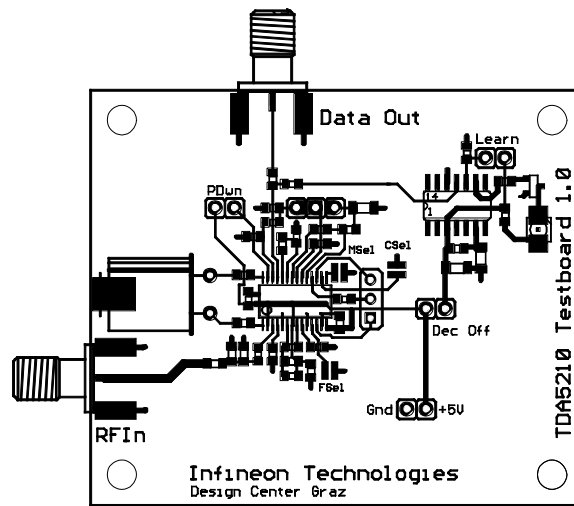


Figure 5-2 Top Side of the Evaluation Board (TDA5210 Testboard is the same)

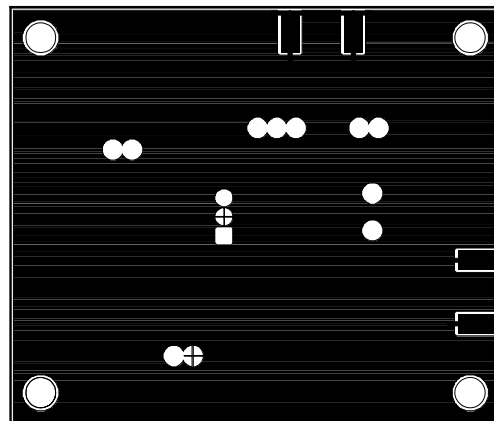


Figure 5-3 Bottom Side of the Evaluation Board

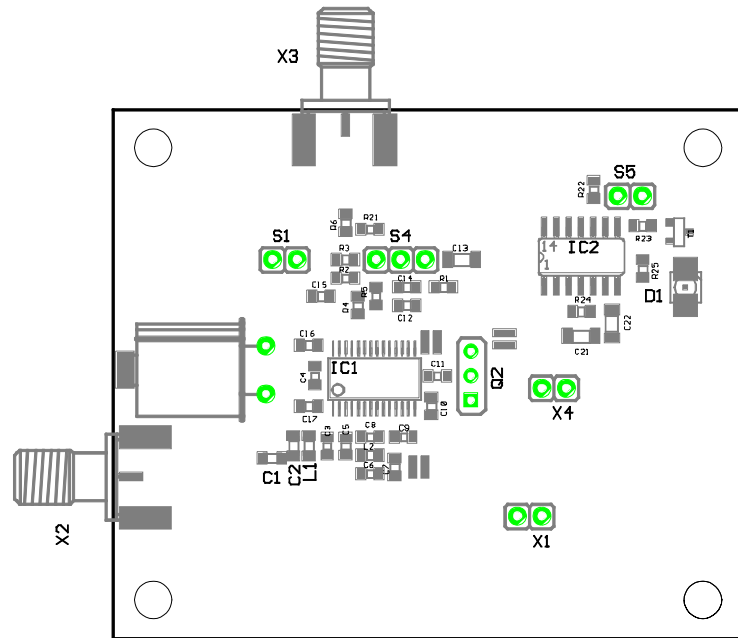


Figure 5-4 Component Placement on the Evaluation Board

5.4 Bill of Materials

The following components are necessary for evaluation of the TDA5204 at 390MHz without use of a Microchip HCS515 decoder.

Table 5-4 Bill of Materials

Ref	Value	Specification
R1	100kΩ	0805, ± 5%
R2	100kΩ	0805, ± 5%
R3	820kΩ	0805, ± 5%
R4	120kΩ	0805, ± 5%
R5	180kΩ	0805, ± 5%
R6	10kΩ	0805, ± 5%
L1	15nH	Toko, PTL2012-F15N0G
L2	10pF ^a	0805, COG, ± 2%
C1	1.8pF	0805, COG, ± 0.1pF
C2	6.8pF	0805, COG, ± 0.1pF
C3	6.8pF	0805, COG, ± 0.1pF
C4	100pF	0805, COG, ± 5%
C5	47nF	1206, X7R, ± 10%
C6	12nH ^b	Toko, PTL2012-F15N0G
C7	100pF	0805, COG, ± 5%
C8	33pF	0805, COG, ± 5%
C9	100pF	0805, COG, ± 5%
C10	10nF	0805, X7R, ± 10%
C11	10nF	0805, X7R, ± 10%
C12	220pF	0805, COG, ± 5%
C13	47nF	0805, X7R, ± 10%
C14	470pF	0805, COG, ± 5%
C15	47nF	0805, X7R, ± 10%
C16	12pF	0805, COG, ± 0.1pF
C17	12pF	0805, COG, ± 2%
Q2	(390MHz + 10.7MHz)/32	HC49/U, fundamental mode, C _L = 12pF, 12.521875 MHz: Jauch Q12.521875-S11-1252-12-10/20
F1	SFE10.7MA5-A	Murata
X2, X3	142-0701-801	Johnson
X1, X4, S1, S5		2-pole pin connector
S4		3-pole pin connector, or not equipped
IC1	TDA 5204	Infineon

a. / b. The coil is at the place of the capacity and vice versa.

The following components are necessary in addition to the above mentioned ones for evaluation of the TDA5204 in conjunction with a Microchip HCS515 decoder.

Table 5-5 Bill of Materials Addendum

Ref	Value	Specification
R21	22kΩ	0805, ± 5%
R22	100kΩ	0805, ± 5%
R23	22kΩ	0805, ± 5%
R24	820kΩ	0805, ± 5%
R25	560kΩ	0805, ± 5%
C21	100nF	1206, X7R, ± 10%
C22	100nF	1206, X7R, ± 10%
IC2	HCS515	Microchip
T1	BC 847B	Infineon
D1	LS T670-JL	Infineon

List of Figures

Figure 2-1	P-TSSOP-28-1 package outlines	2-3
Figure 3-1	IC Pin Configuration	3-2
Figure 3-2	Main Block Diagram	3-8
Figure 4-1	LNA Automatic Gain Control Circuitry	4-2
Figure 4-2	RSSI Level an Permissive AGC Threshold Level	4-3
Figure 4-3	Data Filter Design	4-4
Figure 4-4	Determination of Series Capacitance Value for the Quartz Oscillator	4-5
Figure 4-5	Data Slicer Threshold Generation with External R-C Integrator	4-7
Figure 4-6	Data Slicer Threshold Generation Utilising the Peak Detector	4-7
Figure 5-1	Schematic of the Evaluation Board	5-8
Figure 5-2	Top Side of the Evaluation Board (TDA5210 Testboard is the same)	5-9
Figure 5-3	Bottom Side of the Evaluation Board	5-9
Figure 5-4	Component Placement on the Evaluation Board	5-10

List of Tables

Table 3-1	Pin Definition and Function	3-3
Table 3-3	PDWN Pin Operating States	3-11
Table 5-1	Absolute Maximum Ratings, Ambient temperature $T_{AMB}=-40^{\circ}\text{C} \dots + 85^{\circ}\text{C}$	5-2
Table 5-2	Operating Range, Ambient temperature $T_{AMB}= -40^{\circ}\text{C} \dots + 85^{\circ}\text{C}$	5-3
Table 5-3	AC/DC Characteristics with $T_A 25^{\circ}\text{C}$, $V_{VCC} = 4.5 \dots 5.5 \text{ V}$	5-4
Table 5-4	Bill of Materials	5-11
Table 5-5	Bill of Materials Addendum	5-12