

# SHINDENGEN

## Super Fast Recovery Rectifiers

Dual

# SF5LC40

## 400V 5A

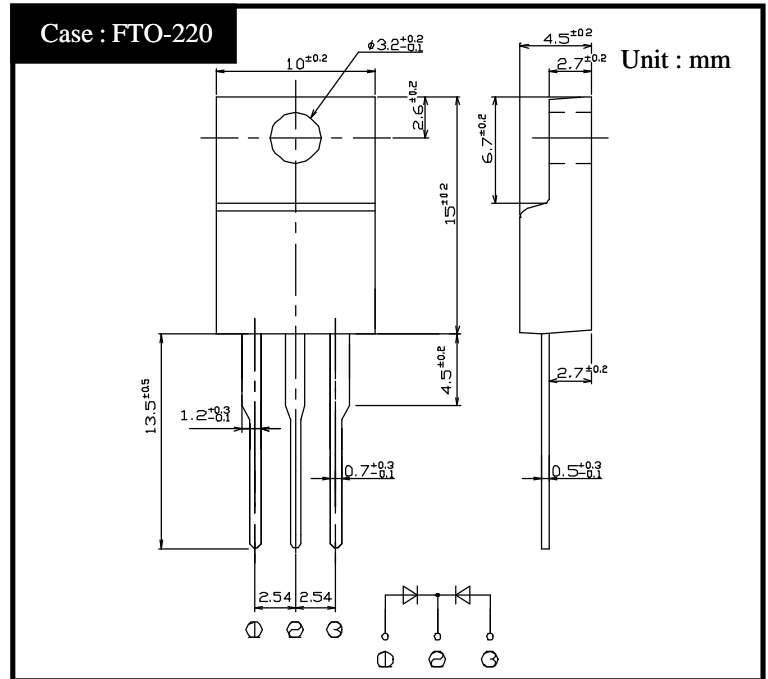
### FEATURES

- Low noise
- trr50ns
- Fully Isolated Molding
- Dielectric strength 2kV guaranteed

### APPLICATION

- Switching power supply
- Free Wheel
- Home Appliances, Office Equipment
- Telecommunication, Factory Automation

### OUTLINE DIMENSIONS



### RATINGS

Absolute Maximum Ratings (If not specified  $T_c=25$  )

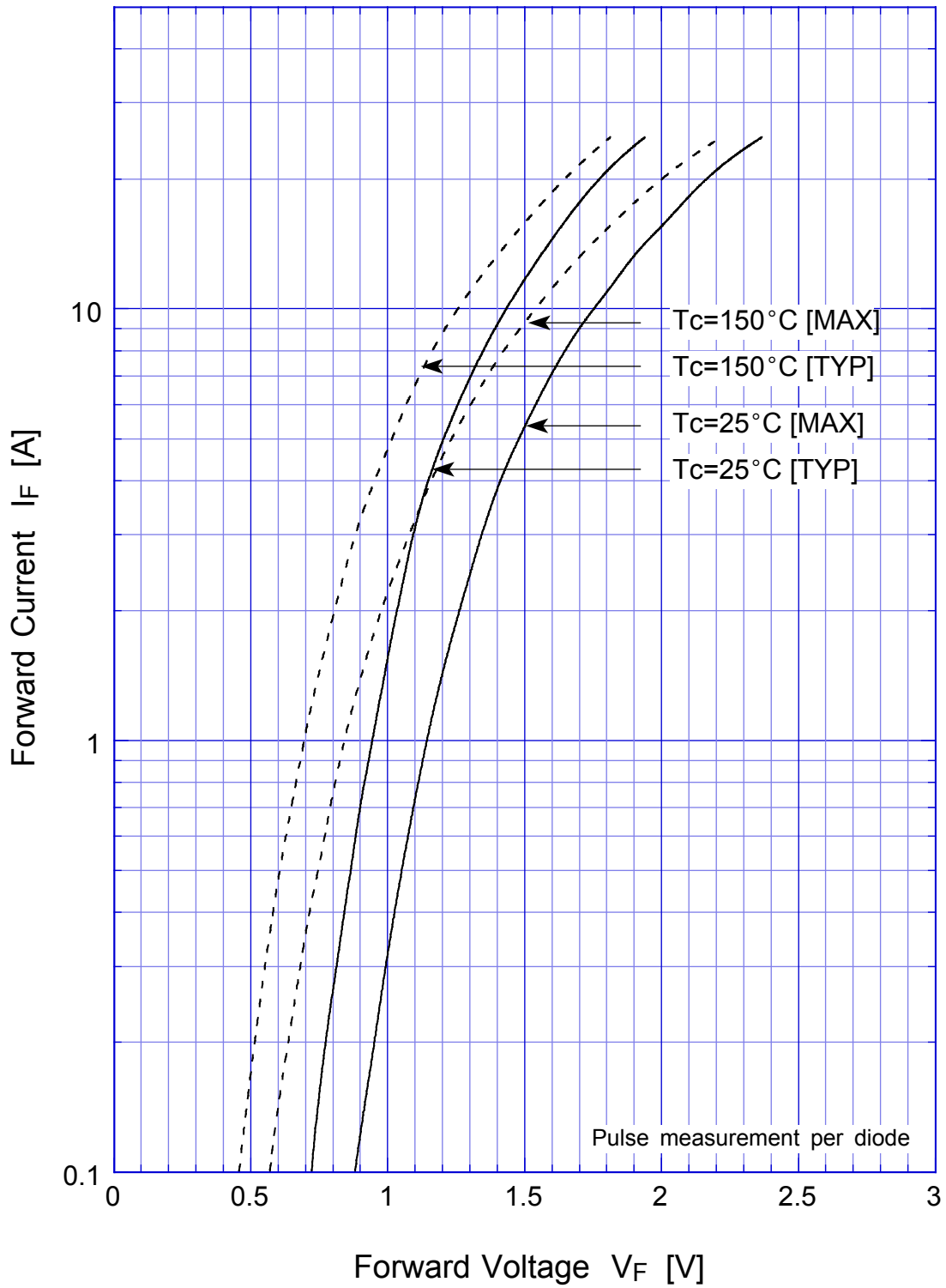
Item	Symbol	Conditions	Ratings	Unit
Storage Temperature	$T_{stg}$		-40 ~ 150	
Operating Junction Temperature	$T_j$		150	
Maximum Reverse Voltage	$V_{RM}$		400	V
Average Rectified Forward Current	$I_o$	50Hz sine wave, R-load, Rating for each diode $I_o/2$ , $T_c=133$	5	A
Peak Surge Forward Current	$I_{FSM}$	50Hz sine wave, Non-repetitive 1 cycle peak value, $T_j=25$	50	A
Dielectric Strength	$V_{dis}$	Terminals to case, AC 1 minute	2	kV
Mounting Torque	TOR	(Recommended torque 0.3N·m)	0.5	N·m

Electrical Characteristics (If not specified  $T_c=25$  )

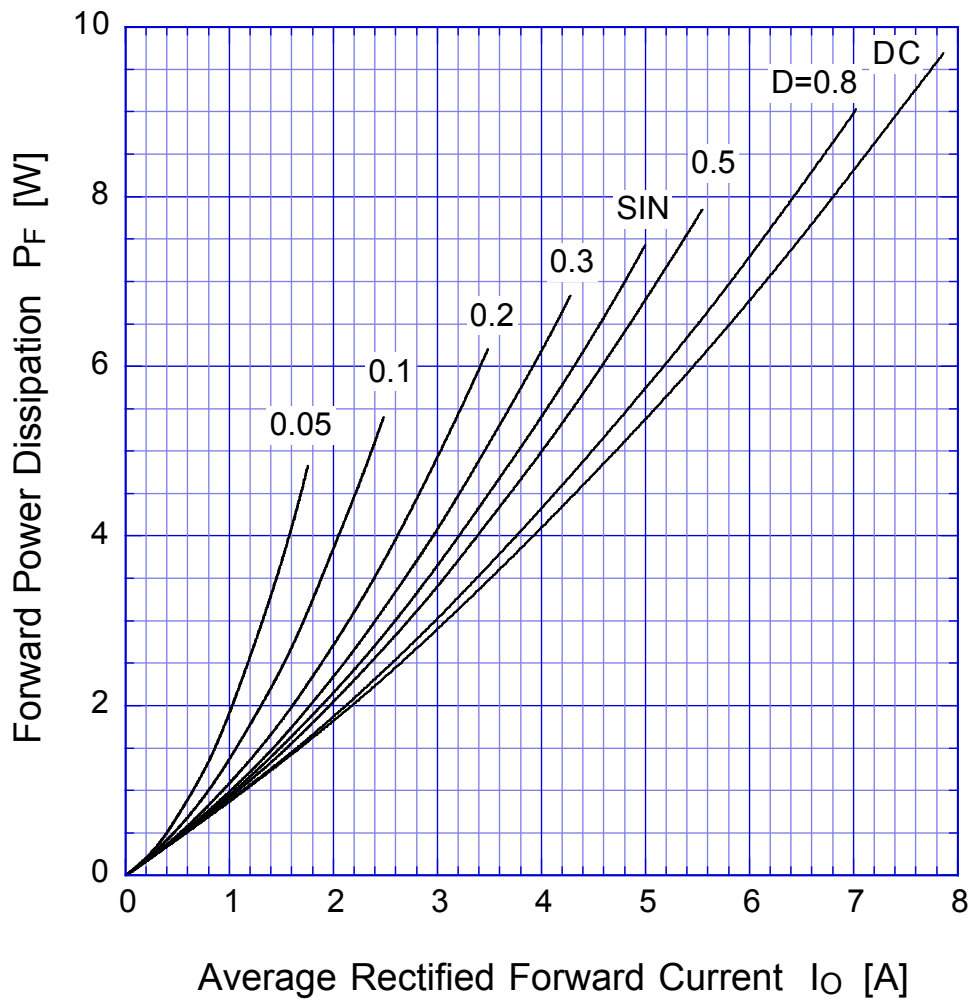
Item	Symbol	Conditions	Ratings	Unit
Forward Voltage	$V_F$	$I_F=2.5A$ , Pulse measurement, Rating of per diode	Max.1.3	V
Reverse Current	$I_R$	$V_R=V_{RM}$ , Pulse measurement, Rating of per diode	Max.10	$\mu A$
Reverse Recovery Time	trr	$I_F=0.5A$ , $I_R=1A$ , Rating of per diode	Max.50	ns
Thermal Resistance	$\theta_{jc}$	junction to case	Max.2.3	/W

# SF5LC40

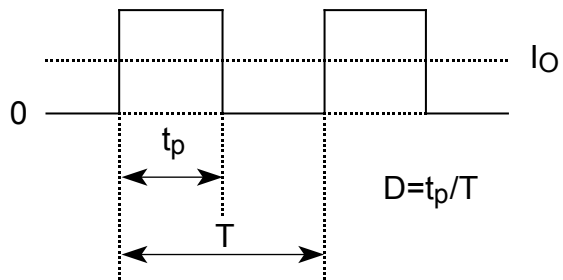
## Forward Voltage



# SF5LC40 Forward Power Dissipation

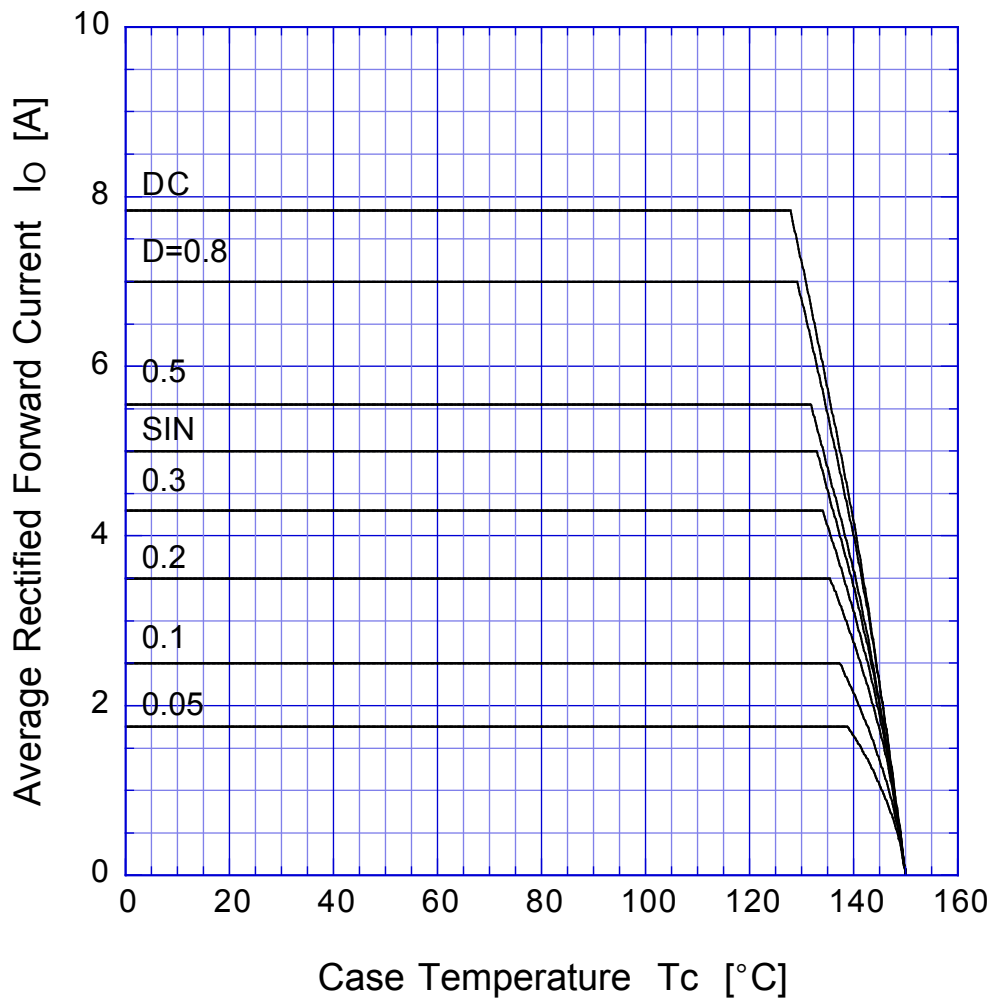


$T_j = 150^\circ\text{C}$



# SF5LC40

# Derating Curve

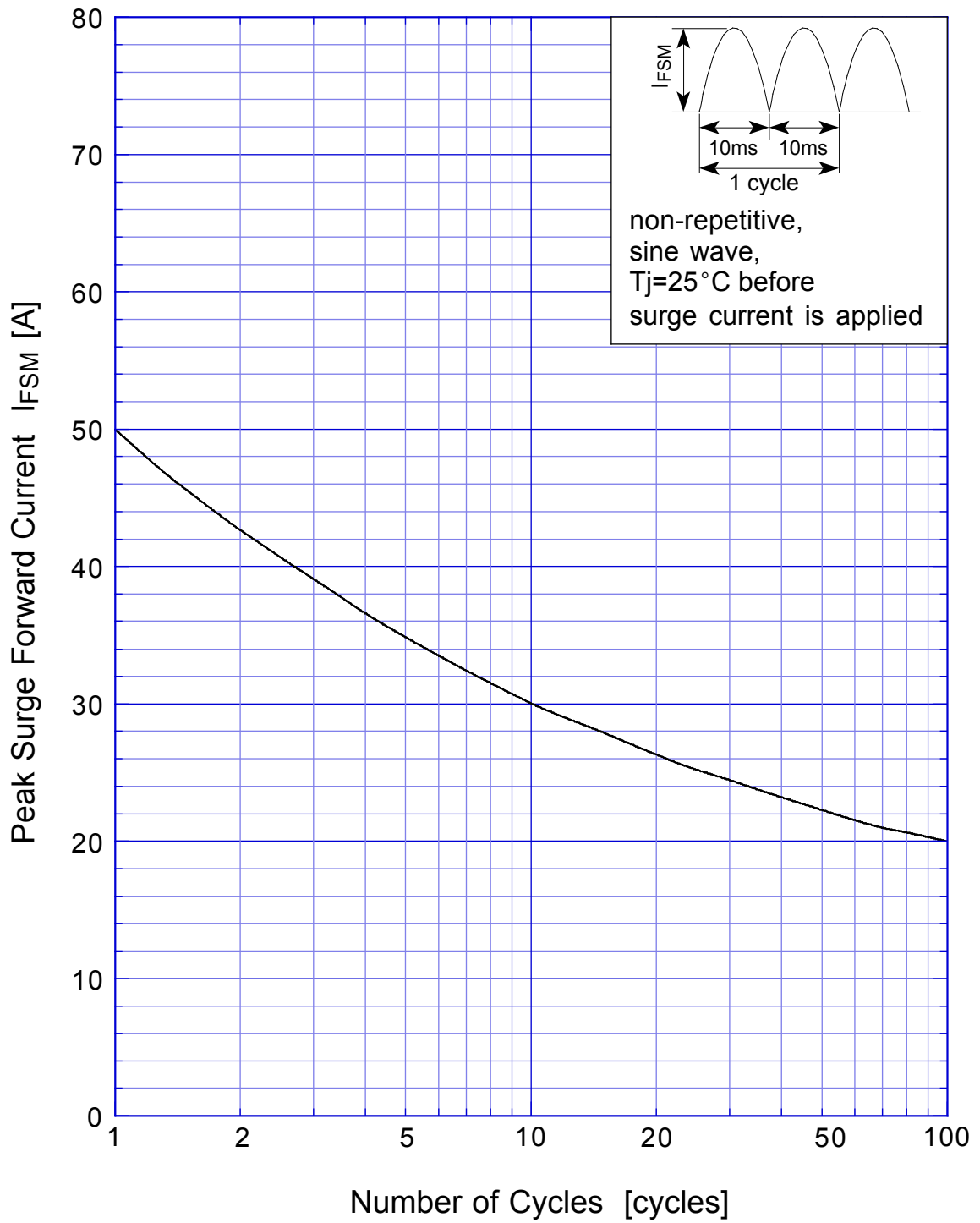


$$V_R = V_{RM}$$



# SF5LC40

## Peak Surge Forward Capability



# SF5LC40 Junction Capacitance

