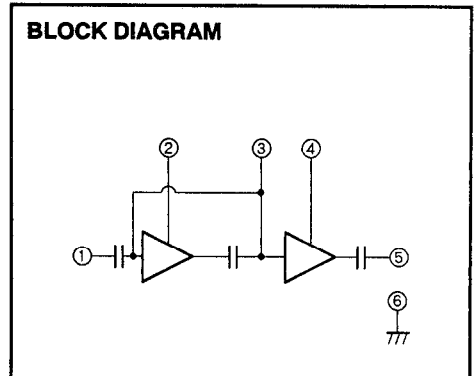
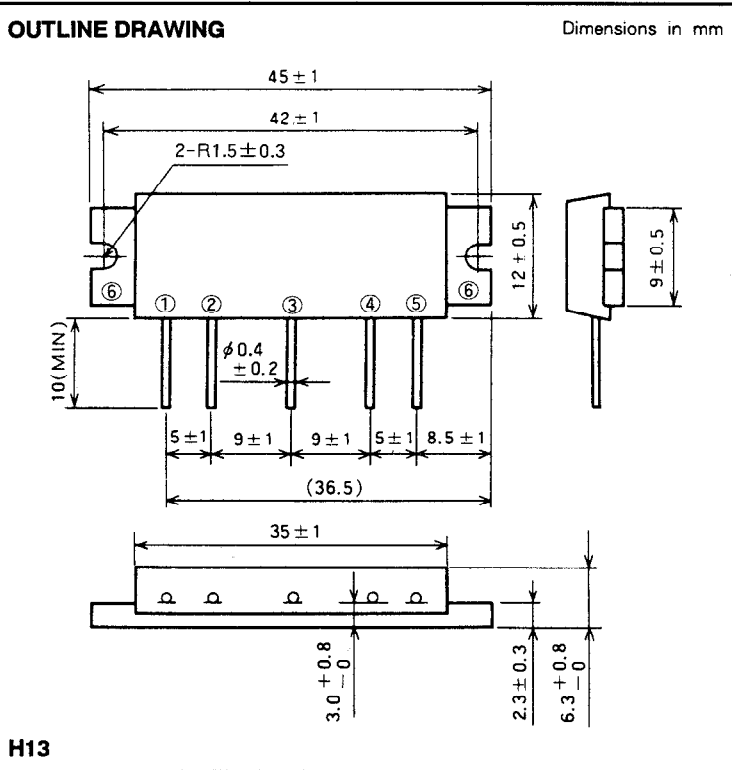


M67723H

250-270Mz, 12.5V, 7W, FM PORTABLE RADIO



- PIN :
- ① Pin : RF INPUT
 - ② Vcc1 : 1st. DC SUPPLY
 - ③ VBB : BASE BIAS SUPPLY
 - ④ Vcc2 : 2nd. DC SUPPLY
 - ⑤ Po : RF OUTPUT
 - ⑥ GND : FIN

ABSOLUTE MAXIMUM RATINGS (T_c = 25°C unless otherwise noted)

Symbol	Parameter	Conditions	Ratings	Unit
V _{CC}	Supply voltage	V _{BB} = 5V, Z _G = Z _L = 50 Ω	16	V
V _{BB}	Base bias	V _{CC1} ≤ 12.5V, Z _G = Z _L = 50 Ω	5.5	V
I _{CC}	Total current	Z _G = Z _L = 50 Ω	4	A
P _{in(max)}	Input power	V _{CC1} ≤ 12.5V, Z _G = Z _L = 50 Ω	40	mW
P _{O(max)}	Output power	V _{CC1} ≤ 12.5V, Z _G = Z _L = 50 Ω	10	W
T _{c(OP)}	Operation case temperature	Z _G = Z _L = 50 Ω	- 30 to 100	°C
T _{stg}	Storage temperature		- 40 to 110	°C

Note. Above parameters are guaranteed independently.

ELECTRICAL CHARACTERISTICS (T_c = 25°C unless otherwise noted)

Symbol	Parameter	Test conditions	Limits		Unit
			Min	Max	
f	Frequency range	V _{CC1} = V _{CC2} = 12.5V V _{BB} = 5V P _{in} = 40mW Z _G = Z _L = 50 Ω	250	270	MHz
P _O	Output power		7		W
η _T	Total efficiency		40		%
2f _o	2nd. harmonic			- 20	dBc
3f _o	3rd. harmonic			- 30	dBc
ρ _{in}	Input VSWR			2.5	-
-	Load VSWR tolerance	V _{CC1} = V _{CC2} = 13.2V, V _{BB} = 5V P _O = 7 W (P _{in} : controlled) Load VSWR ≥ 20:1 (All phase) Z _G = 50 Ω	No degradation or destroy		-

Note. Above parameters, ratings, limits and conditions are subject to change.