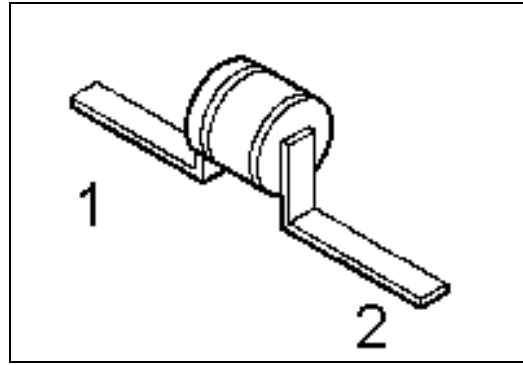
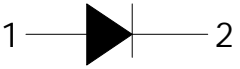


## HiRel Silicon Schottky Diode

- **HiRel Discrete and Microwave Semiconductor**
- General-purpose diodes for high-speed switching
- Circuit protection
- Voltage clamping
- High-level detecting and mixing
- Hermetically sealed microwave package
-  **esa Space Qualified**  
ESA/SCC Detail Spec. No.: 5512/020  
Type Variant No. 01



**ESD:** Electrostatic discharge sensitive device, observe handling precautions!

Type	Marking	Ordering Code	Pin Configuration	Package
BAS70-T1 (ql)	-	see below		T1

(ql) Quality Level:	P: Professional Quality,	Ordering Code:	Q62702A1173
	H: High Rel Quality,	Ordering Code:	on request
	S: Space Quality,	Ordering Code:	on request
	ES: ESA Space Quality,	Ordering Code:	Q62702A674

(see order instructions for ordering example)

**Maximum Ratings**

Parameter	Symbol	Values	Unit
Reverse Voltage	$V_R$	70	V
Forward Current	$I_F$	70	mA
Surge Forward Current <sup>1)</sup>	$I_{FSM}$	85	mA
Power Dissipation <sup>2)</sup>	$P_{tot}$	250	mW
Operating Temperature Range	$T_{op}$	-55 to +150	°C
Storage Temperature Range	$T_{stg}$	-55 to +150	°C
Soldering Temperature <sup>3)</sup>	$T_{sol}$	+250	°C
Junction Temperature	$T_j$	150	°C
Thermal Resistance Junction-Case	$R_{th(j-c)}$	100	K/W

**Electrical Characteristics**

 at  $T_A=25^\circ\text{C}$ ; unless otherwise specified

Parameter	Symbol	Values			Unit
		min.	typ.	max.	

**DC Characteristics**

Reverse Current 1 $V_R=70\text{V}$	$I_{R1}$	-	-	2	$\mu\text{A}$
Reverse Current 2 $V_R=56\text{V}$	$I_{R2}$	-	-	0,1	$\mu\text{A}$
Forward Voltage 1 $I_{F1}=1\text{mA}$	$V_{F1}$	0,30	0,38	0,44	V
Forward Voltage 2 $I_{F2}=10\text{mA}$	$V_{F2}$	0,60	0,70	0,78	V
Forward Voltage 3 $I_{F3}=15\text{mA}$	$V_{F3}$	0,80	0,85	1,00	V
Differential Forward Resistance <sup>4)</sup> $I_{F2}=10\text{mA}, I_{F3}=15\text{mA}$	$R_{FD}$	24	30	32	$\Omega$

**AC Characteristics**

Total Capacitance $V_R=0\text{V}; f=1\text{MHz}$	$C_T$	1,2	1,5	2	pF
-----------------------------------------------------	-------	-----	-----	---	----

**Notes.:**

- 1.)  $t \leq 10\text{ms}$ , Duty Cycle=10%
- 2.) At  $T_{CASE} = 125^\circ\text{C}$ . For  $T_{CASE} > 125^\circ\text{C}$  derating is required.
- 3.) During 5 sec. maximum. The same terminal shall not be resoldered until 3 minutes have elapsed.

$$4.) \quad R_{FD} = \frac{\Delta V_F}{5 \times 10^{-3} \text{ A}}$$

---

**Order Instructions:**

Full type variant including package variant and quality level must be specified by the orderer. For *HiRel* Discrete and Microwave Semiconductors the ordering code specifies device family and quality level only.

**Ordering Form:**

Ordering Code: Q.....  
BAS70- (x) (ql)  
(x): Package Variant  
(q): Quality Level

**Ordering Example:**

Ordering Code: Q62702A674  
BAS70-T1 ES  
For BAS70 in T1 Package; ESA Space Quality Level

**Further Informations:**

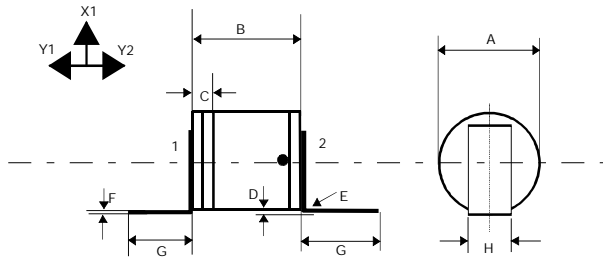
See our WWW-Pages:

- Discrete and RF-Semiconductors (Small Signal Semiconductors)  
[www.infineon.com/products/discrete/hirel.htm](http://www.infineon.com/products/discrete/hirel.htm)
  
- *HiRel* Discrete and Microwave Semiconductors  
[www.infineon.com/products/discrete/hirel.htm](http://www.infineon.com/products/discrete/hirel.htm)

Please contact also our marketing division :

Tel.: ++89 234 24480  
Fax.: ++89 234 28438  
e-mail: [martin.wimmers@Infineon Technologies-scg.com](mailto:martin.wimmers@InfineonTechnologies-scg.com)  
Address: Infineon Technologies Semiconductors,  
High Frequency Products Marketing,  
P.O.Box 801709,  
D-81617 Munich

## T1 Package



Symbol	Millimetre	
	min	max
A	1,30	1,45
B	1,15	1,35
C	-	0,40
D	0,10	0,50
E	-	0,30
F	0,06	0,10
G	5,50	-
H	0,40	0,60

Published by Infineon Technologies Semiconductors, High Frequency Products Marketing, P.O.Box 801709, D-81617 Munich.

Infineon Technologies AG 1998. All Rights Reserved.

As far as patents or other rights of third parties are concerned, liability is only assumed for components per se, not for applications, processes and circuits implemented within components or assemblies.

The information describes the type of component and shall not be considered as assured characteristics.

Terms of delivery and rights to change design reserved.

For questions on technology, delivery and prices please contact the Offices of Semiconductor Group in Germany or the Infineon Technologies Companies and Representatives worldwide (see address list).

Due to technical requirements components may contain dangerous substances. For information on the type in question please contact your nearest Infineon Technologies Office, Semiconductor Group.

Infineon Technologies Semiconductors is a certified CECC and QS9000 manufacturer (this includes ISO 9000).