

VICOR CONFIDENTIAL

THIS DOCUMENT AND THE DATA DISCLOSED HEREIN OR HEREWITH IS NOT TO BE REPRODUCED, USED, OR DISCLOSED IN WHOLE OR IN PART TO ANYONE WITHOUT PERMISSION OF VICOR CORP.

REV.	DESCRIPTION	DATE	APPROVED
01	RELEASED PER E020225	5/3/02	GCK

ABSOLUTE MAXIMUM RATINGS:

Operating Ambient Temperature range (T _A).....	-55 to + 85	°C
Storage Temperature Range (T _{STG}).....	-55 to +125	°C
Temperature Coefficient (αV) of Clamping Voltage (V _C) at Specified Test Current.....	<0.01	%/°C
Hi-Pot Encapsulation (Isolation Voltage Capability).....	2500	V
Insulation Resistance.....	1000	MΩ

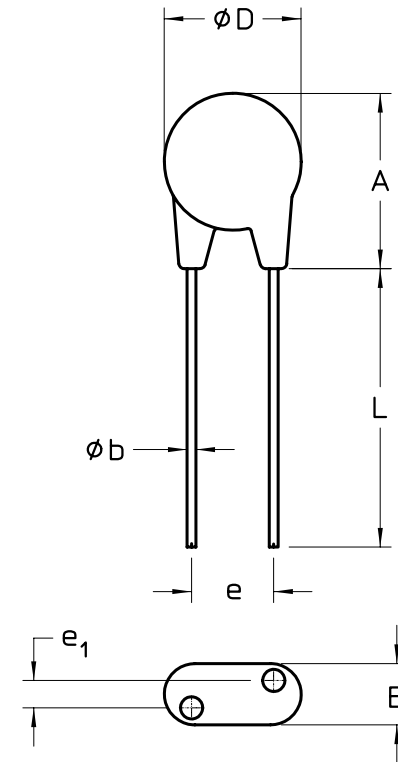
MAXIMUM RATING @ T_a = 85 °C

Parameter	Symbol	Test Condition	Units
Continuous AC Voltage	V _{M(ACRMS)}		250 V
Continuous DC Voltage	V _{M(DC)}		330 V
Transient Single Pulse Energy	W _{TM}	10 x 1000 μs current wave (1)	72 J
Transient Peak Pulse Current	I _{TM}	8 x 20 μs current wave	4500 A

(1) Average power dissipation of transients not to exceed 0.4W

ELECTRICAL SPECIFICATIONS @ T_a = 25 °C

Parameter	Symbol	Test Condition	Units		
			Min	Typ	Max
Varistor Voltage	V _{NOM}	1mA DC	354		429 V
Clamping Voltage	V _C	8 x 20 μs current wave			650 V
Peak Current at V _C	I _{PK}				50 A
Capacitance	C	f = 1MHz		500	pF



DIMENSIONS	MILLIMETER (INCHES)	
	MIN	MAX
A	----	20 (.787)
Dia. D	----	17 (.669)
e	6.5 (.256)	8.5 (.335)
e ₁	1.5 (.059)	3.5 (.138)
E	----	5.6 (.220)
Dia. b	.76 (.030)	.86 (.034)
L	25.4 (1.00)	----

DRAWN BY D.P. KELLY		DATE 1/02			
<small>UNLESS OTHERWISE SPECIFIED DIMENSIONS ARE IN MM/(IN)-TOLERANCES ARE:</small> DECIMALS ANGLES .XX- ± 0.254 [.01] ±° .XXX- ± 0.127 [.005]					
THIRD ANGLE PROJECTION		SIZE B	FSCM NO. 67131	DWG NO. 03040	REV 01
DO NOT SCALE DRAWING		SCALE 2X	SHEET 1 OF 1		