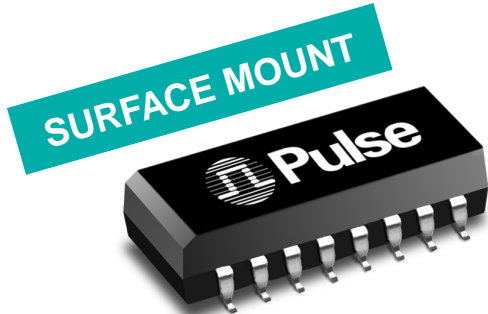






# SURFACE MOUNT 10BASE-T INTERFACE MODULES

Fully Integrated for Adapter, Hub, and Motherboard Applications



-  Available in enhanced or standard design versions
-  Low profile surface mount package
-  E2000 series part numbers designed for AMD, DEC, LSI, Motorola, and National transceivers
-  235°C peak infrared reflow temperature rating

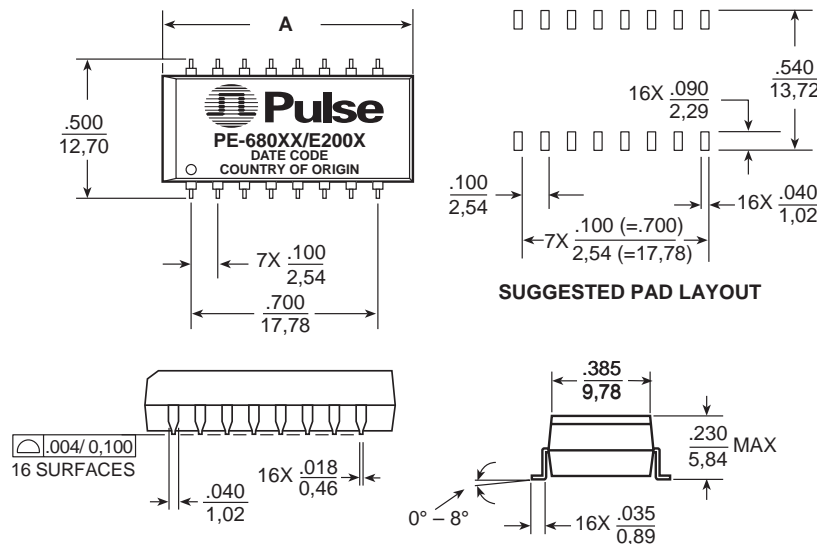
## Electrical Specifications @ 25°C — Operating Temperature 0°C to +70°C

Part Number	Insertion Loss to 10 MHz (dB MAX)	Attenuation (XMIT) (dB MIN)			Return Loss 5 to 10MHz (dB MIN)		Crosstalk (dB MIN)	Common Mode Rejection (XMIT) (db MIN)					Hi-Pot (VRMS MIN)
		30 MHz	40 MHz	100 MHz	100 Ω	98 ±13 Ω		5-10 MHz	5 MHz	10 MHz	50 MHz	100 MHz	
PE-68025*	-6.0	-35	-35	-35	-18	-15	-35	-60	-60	-55	-50	-45	1500
PE-68026*	-1.0	-30	-35	-35	-18	-15	-35	-60	-60	-55	-50	-45	1500
PE-68027*	-6.5	-35	-35	-35	-18	-15	-35	-60	-60	-55	-50	-45	1500
PE-68056	-1.0	-30	-27	-27	-18	-15	-30	-40	-30	-50	-45	—	1500
E2001	-5.5	-30	-30	-35	-18	15	-30	-35	-30	-55	-50	—	1500
E2003	-6.0	-30	-27	-27	-18	-15	-35	-40	-35	-45	-30	—	1500
E2004	-5.0	-30	-35	-40	-18	-15	-25	-35	-30	-55	-50	—	1500
E2007	-5.0	-30	-35	-40	-18	-15	-25	-35	-30	-55	-50	—	1500
E2009	-1.0	-30	-27	-27	-18	-15	-35	-40	-35	-45	-45	—	1500

**NOTE:** Part numbers indicated with an (\*) are enhanced performance parts. All TX turns ratios are 1:1, except the E2009 which is 1:√2. For the PE-680XX part series, the receive and transmit sides meet IEEE 802.3i 1993 specifications, while transmit side is enhanced for FCC/VDE Class B system emissions requirement. Specifications reflect filter sections. Additional attenuation is due to predistortion resistors.

## Mechanical

### PE-680XX, E200X



Part Number	Dimension A
E200X	1.00/25,40
PE-680XX	.920/23,37

Weight .....2.5 grams  
Tape & Reel .....350/reel  
Tube .....20/tube

Dimensions: Inches  
mm  
Unless otherwise specified, all tolerances are ± .010  
0,25

www.DataSheet4U.com

# SURFACE MOUNT 10BASE-T INTERFACE MODULES



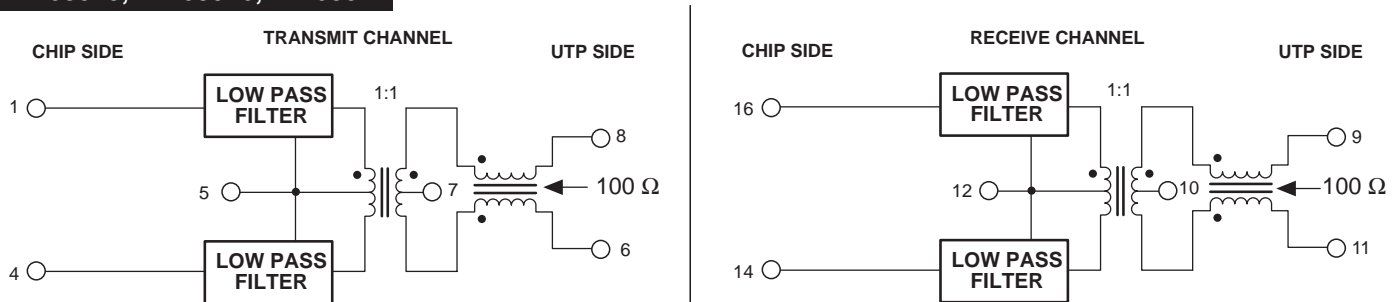
Fully Integrated for Adapter, Hub, and  
Motherboard Applications

Resistor Values ( $\Omega$ )

Part Number	IC Manufacturer	R1	R2	R3	R4	R5	R6	R7
PE-68025	AMD	TXD (+) = 61.9	TXP (+) = 422	TXD (-) = 61.9	TXP (-) = 422	1.2k	RX (+) = 49.9	RX (-) = 49.9
PE-68026	Various	N/A	N/A	N/A	N/A	N/A	N/A	N/A
PE-68027	National	TXOD (-) = 274	TXO (+) = 66.5	TXO (-) = 66.5	TXOD (+) = 274	806	RX (+) = 49.9	RX (-) = 49.9

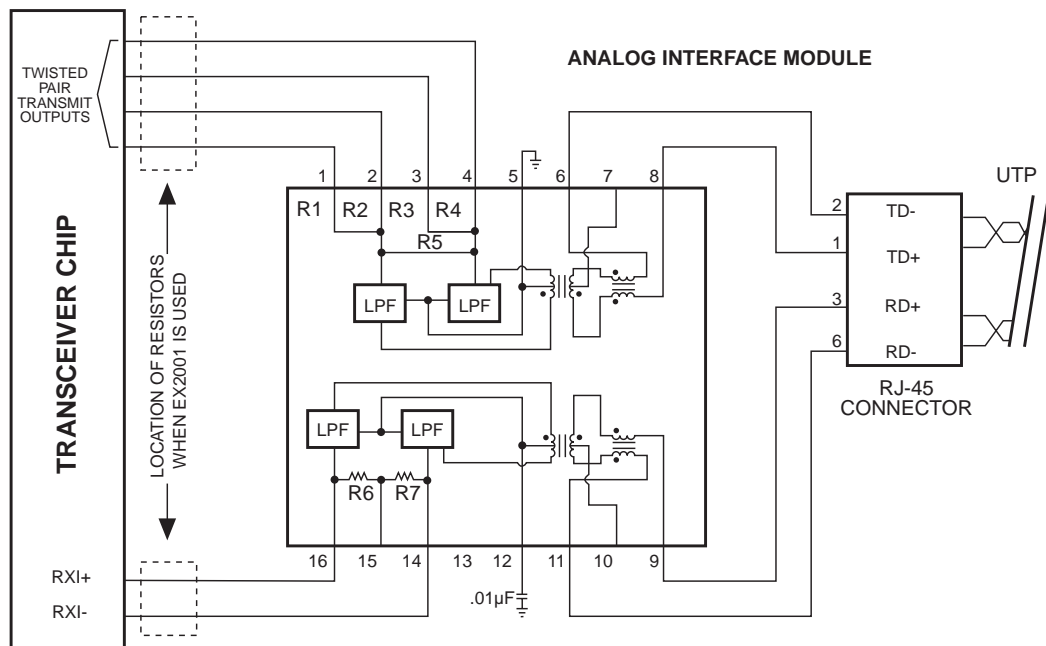
## Schematics

PE-68025, PE-68026, PE-68027



## Typical Application Circuit

PE-68025, PE-68026, PE-68027



# SURFACE MOUNT 10BASE-T INTERFACE MODULES

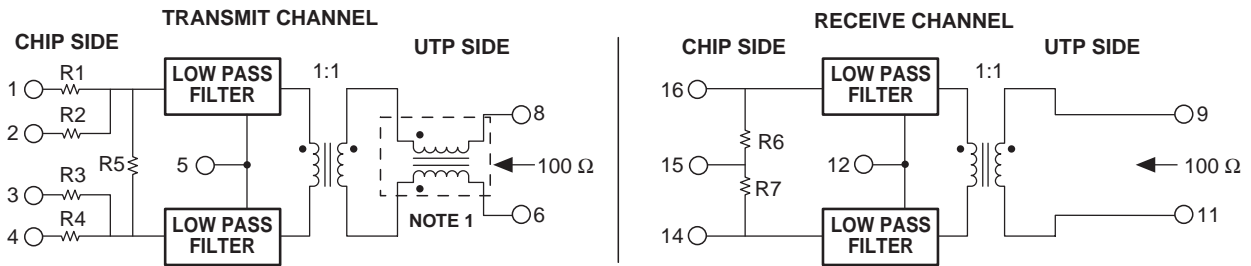


Fully Integrated for Adapter, Hub, and  
Motherboard Applications

Resistor Values ( $\Omega$ )								
Part Number	IC Manufacturer	R1	R2	R3	R4	R5	R6	R7
E2001	National	348.0	53.6	53.6	348.0	806	49.9	49.9
E2003	AMD	61.9	422.0	61.9	422.0	1,210	49.9	49.9
E2004	LSI	390.0	63.4	390	63.4	N/A	49.9	49.9
E2007	Motorola	39.0	N/A	39	N/A	N/A	49.9	49.9

## Schematics

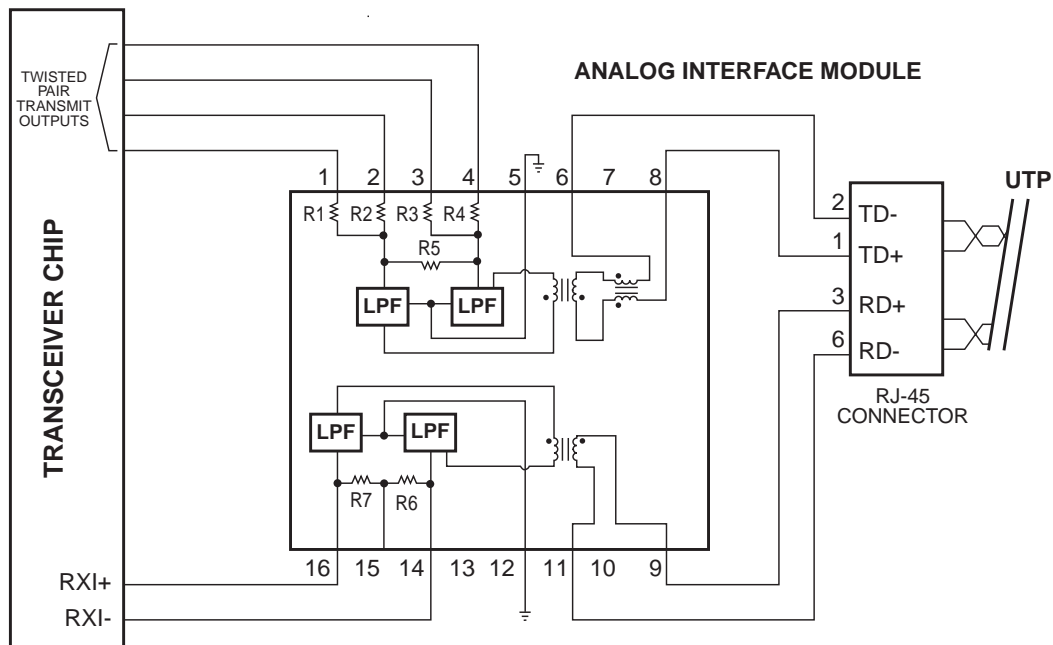
E2001, E2003, E2004, E2007



Note: Common Mode Choke on transmit channel for E2001, E2003, E2004.

## Typical Application Circuit

E2001, E2003, E2004, E2007



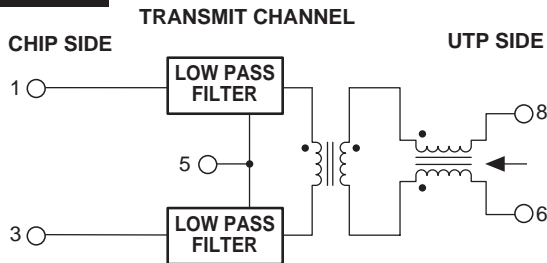
# SURFACE MOUNT 10BASE-T INTERFACE MODULES



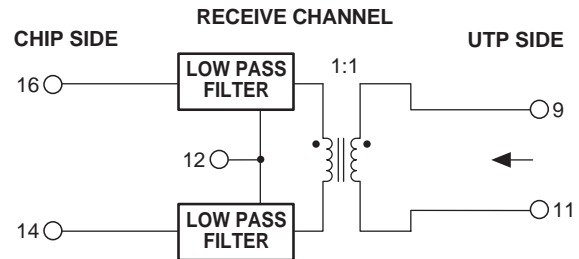
## Fully Integrated for Adapter, Hub, and Motherboard Applications

### Schematics

E2009, PE-68056



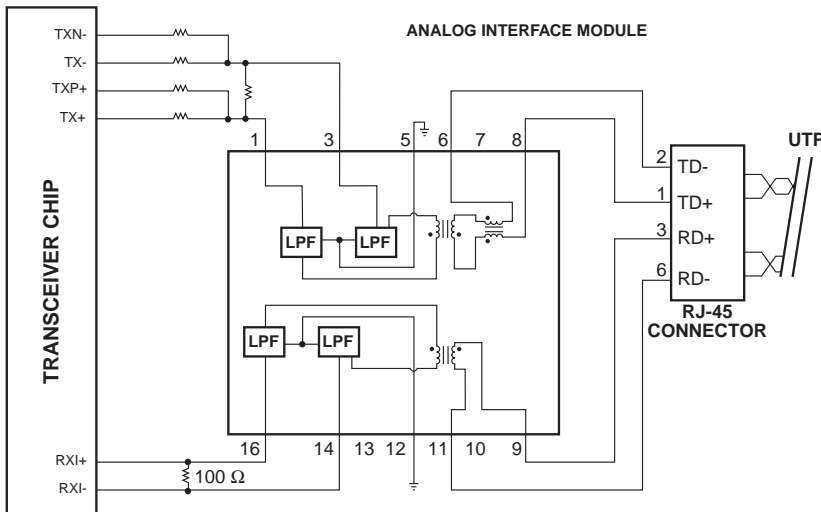
Turns Ratio for Transmit: PE-68056 is 1:1; E2009 is 1:  $\sqrt{2}$ .



**NOTE:** The PE-68056 is designed for use with most transceivers requiring a turns ratio of 1:1 on transmit. The E2009 is designed for use with DEC and most other transceivers requiring a turns ratio of 1:  $\sqrt{2}$  on transmit.

### Typical Application Circuit

E2009, PE-68056



**NOTE:** Resistors are NOT included in module.

### Application Notes

Each module in this application contains low pass filters, isolation transformers, and common mode chokes. These components provide impedance matching, equipment isolation, and EMI suppression to comply with IEEE 802.3 requirements. The E2001, E2003, E2004, E2007, PE-68025, and PE-68027 also provide the necessary data and pre-emphasis resistors recommended by most transceiver manufacturers.

User compliance with FCC/CSPR Class B requirements can be achieved by applying rigorous design guidelines to suppress noise mechanisms. Attention to high frequency signal paths, proper PCB grounding techniques, and component placement are critical. Pins 5 and 12, when grounded, provide noise return paths. For PE-68025, PE-68026, and PE-68027, one of these pins (typically pin 12) must be decoupled with a bypass capacitor. The E2001, E2003, E2004, E2007, E2009, and PE-68056 *do not require* the bypass capacitor, and pins 5 and 12 may be connected directly to ground.

Recommended module orientation with respect to the RJ-45 connector is illustrated in each application circuit. Output pins 6 through 11 should be routed with short, matched traces to the connector for optimum EMI performance.

Surface mount devices manufactured by Pulse are designed to meet all published specifications after exposure to surface mount soldering temperatures. The products in this data sheet are transfer molded in I.C. style packaging, making them robust enough to withstand convection and infrared reflow solder temperatures up to 235°C. In addition, compliant leads provide excellent solder-joint reliability with a coplanarity of  $\pm 0.02$ " (0.05 mm).

Modules are shipped in tubes unless Tape & Reel is specified. Please add the suffix "T" (i.e. PE-68025T) for Tape & Reel orders in increments of 350 pieces.

### For More Information:

#### UNITED STATES (Worldwide)

12220 World Trade Drive  
San Diego, CA 92128  
Quick-Facts: 619 674 9672  
<http://www.pulseeng.com>  
TEL: 858 674 8100  
FAX: 858 674 8262

#### UNITED KINGDOM (Northern Europe)

1 & 2 Huxley Road  
The Surrey Research Park  
Guildford, Surrey GU2 5RE  
United Kingdom  
TEL: 44 1483 401700  
FAX: 44 1483 401701

#### FRANCE (Southern Europe)

Zone Industrielle  
F-39270  
Orgelet  
France  
TEL: 33 3 84 35 04 04  
FAX: 33 3 84 25 46 41

#### SINGAPORE (Southern Asia)

150 Kampong Ampat  
#07-01/02  
KA Centre  
Singapore 368324  
TEL: 65 287 8998  
FAX: 65 280 0080

#### TAIWAN, R.O.C. (Northern Asia)

3F-4, No. 81, Sec. 1  
HsinTai Wu Road  
Hsi-Chih, Taipei Hsien  
Taiwan, R.O.C.  
Tel: 886 2 2698 0228  
FAX: 886 2 2698 0948

#### DISTRIBUTOR

Performance warranty of products offered on this data sheet is limited to the parameters specified. Data is subject to change without notice. Other brand and product names mentioned herein may be trademarks or registered trademarks of their respective owners.

Printed on recycled paper. ©1997, Pulse Engineering, Inc.