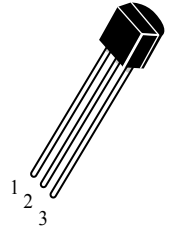


PNP General Purpose Transistors

(Pb) Lead(Pb)-Free

TO-92


1. EMITTER
2. COLLECTOR
3. BASE

MAXIMUM RATINGS* ($T_A=25^{\circ}\text{C}$ unless otherwise noted)

Rating	Symbol	Value	Unit
Collector-Emitter Voltage	V_{CEO}	-50	V
Collector-Base Voltage	V_{CBO}	-50	V
Emitter-Base Voltage	V_{EBO}	-5.0	V
Collector Current Continuous	I_C	-150	mA
Total Device Dissipation $T_A=25^{\circ}\text{C}$	P_D	0.4	W
Junction Temperature	T_J	+150	$^{\circ}\text{C}$
Storage Temperature	T_{STG}	-55 to + 150	$^{\circ}\text{C}$

*These ratings are limiting values above which the serviceability of any semiconductor device may be impaired.

ELECTRICAL CHARACTERISTICS

Characteristics	Symbol	Min	Max	Unit
-----------------	--------	-----	-----	------

OFF CHARACTERISTICS

Collector-Base Breakdown Voltage, $I_C = -100\mu\text{A}$, $I_E = 0$	$V(BR)_{CBO}$	-	-50	V
Collector-Emitter Breakdown Voltage, $I_C = -0.1\text{mA}$, $I_B = 0$	$V(BR)_{CEO}$	-	-50	V
Emitter-Base Breakdown Voltage, $I_E = -100\mu\text{A}$, $I_C = 0$	$V(BR)_{EBO}$	-	-5.0	V
Collector Cut-off Current, $V_{CB} = -50\text{V}$, $I_E = 0$	I_{CBO}	-	-0.1	μA
Collector Cut-off Current, $V_{CE} = -50\text{V}$, $I_B = 0$	I_{CEO}	-	-0.1	μA
Emitter Cut-off Current, $V_{EB} = -5.0\text{V}$, $I_C = 0$	I_{EBO}	-	-0.1	μA

ELECTRICAL CHARACTERISTICS ($T_A=25^\circ\text{C}$ unless otherwise noted) (Continued)

Characteristics	Symbol	Min	Typ	Max	Unit
-----------------	--------	-----	-----	-----	------

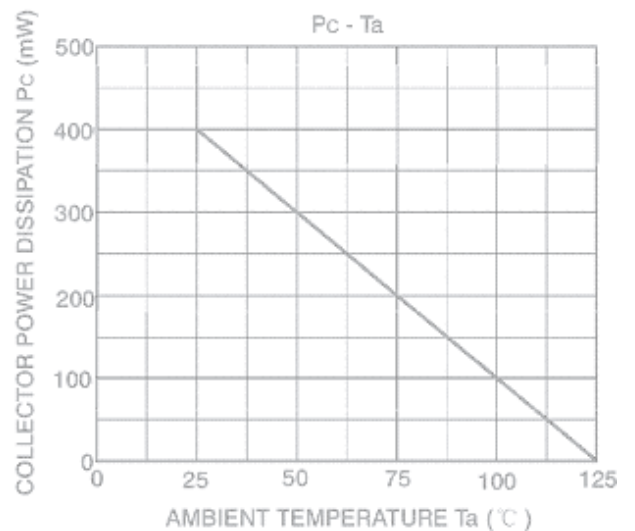
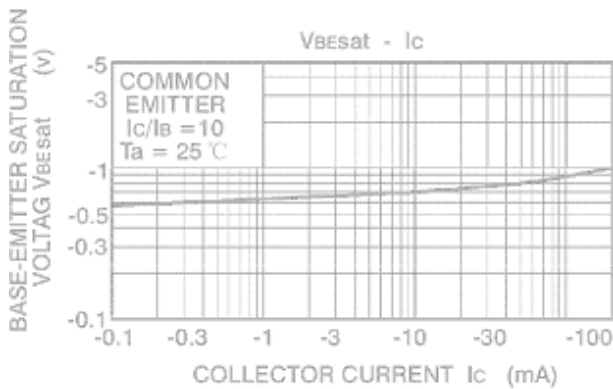
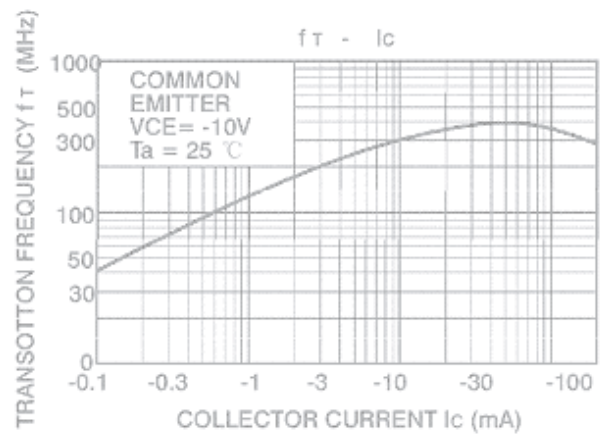
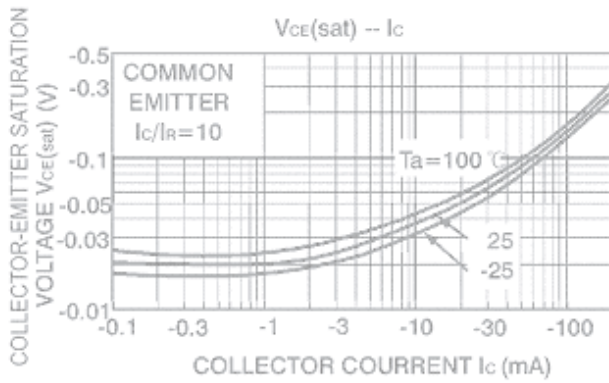
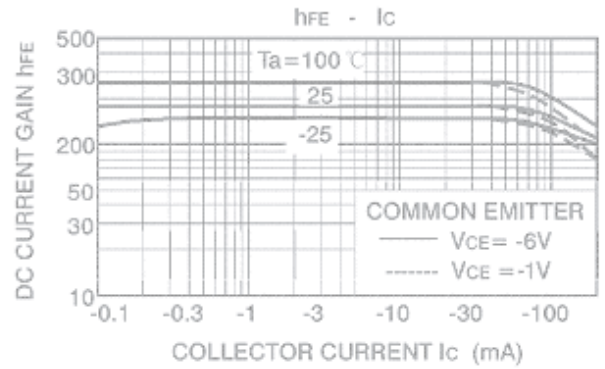
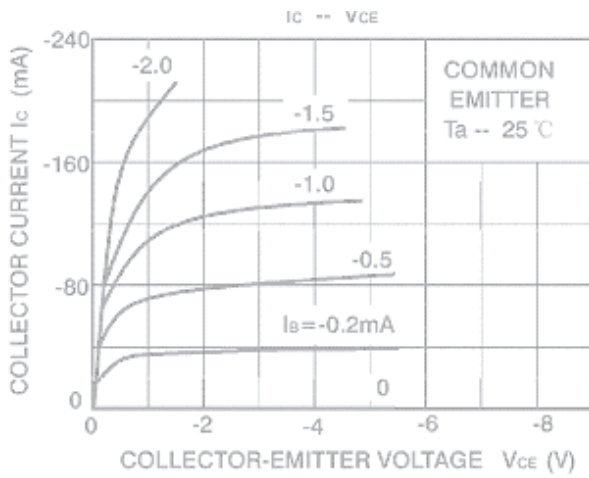
ON CHARACTERISTICS

DC Current Gain $V_{CE}=-6.0\text{V}, I_C=-2.0\text{mA}$	h_{FE1}	70	-	400	-
Collector-Emitter Saturation Voltage $I_C=-100\text{mA}, I_B=-10\text{mA}$	$V_{CE(sat)}$	-	-	-0.3	V
Base-Emitter Voltage $I_C=-100\text{mA}, I_B=-10\text{mA}$	$V_{BE(sat)}$	-	-	-1.1	V
Transition Frequency $V_{CE}=-10\text{V}, I_C=-1\text{mA}, f=30\text{MHz}$	f_T	80	-	-	MHz
Collector Output Capacitance $V_{CB}=-10\text{V}, I_E=0, f=1\text{MHz}$	C_{ob}	-	19	-	pF
Noise Figure $V_{CE}=-6\text{V}, I_C=-0.1\text{mA}, R_g=10\text{k}\Omega, f=1\text{KHz}$	NF	-	-	6	dB

CLASSIFICATION OF h_{FE1}

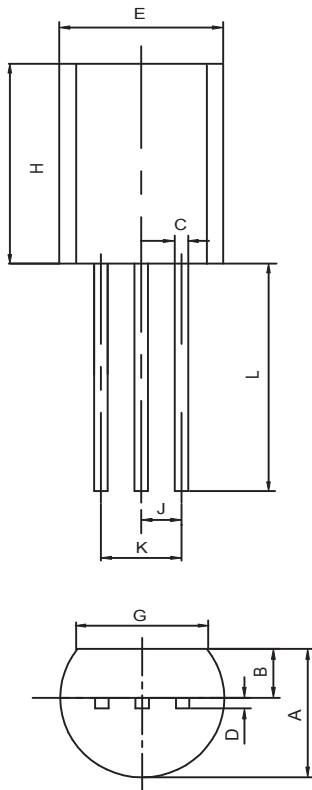
Rank	O	Y	GR
Range	70-140	120-240	200-400

Typical Characteristics



TO-92 Outline Dimensions

unit:mm



TO-92		
Dim	Min	Max
A	3.30	3.70
B	1.10	1.40
C	0.38	0.55
D	0.36	0.51
E	4.40	4.70
G	3.43	-
H	4.30	4.70
J	1.270TYP	
K	2.44	2.64
L	14.10	14.50